

cookmax+



**start!**

**Kühlung  
Büfett-Insel, Wärme-Wanne, trockenbeheizt,  
Vollverkleidung**

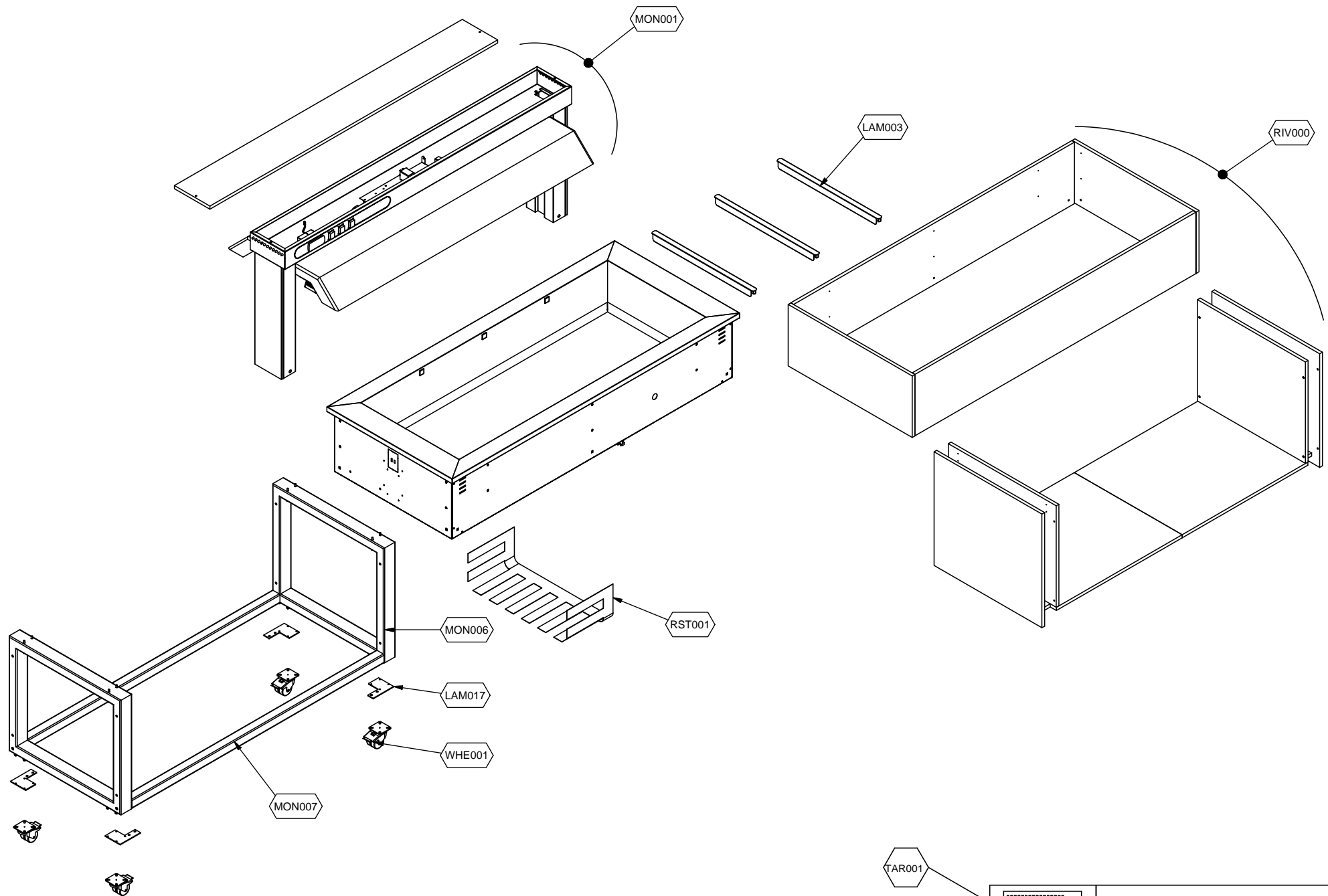
Artikel-Nr.  
90651146 (9BTIS4CEMWA03 / TR-ORANGE 4W)

---

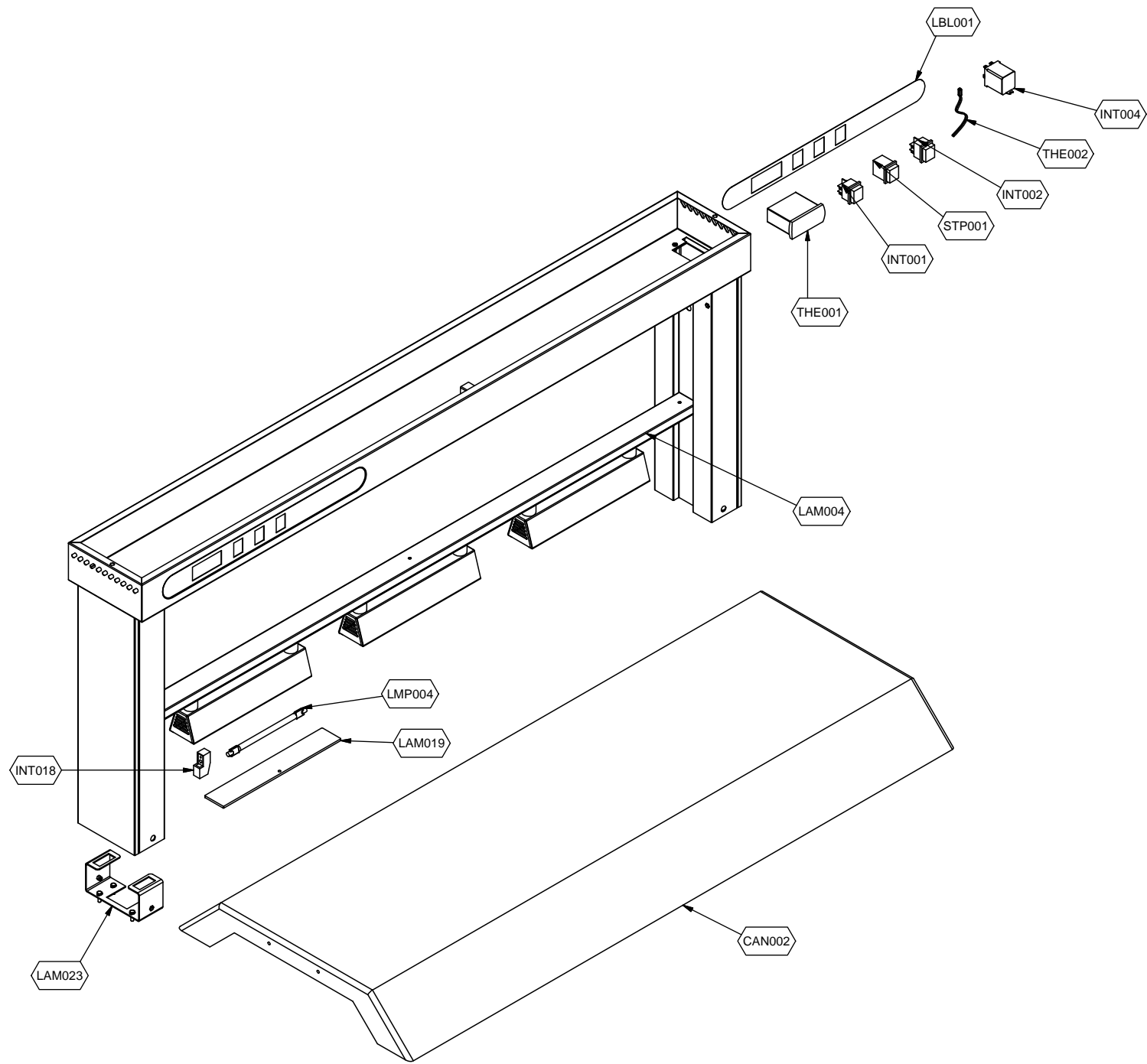
**Explosionszeichnung / Ersatzteile**

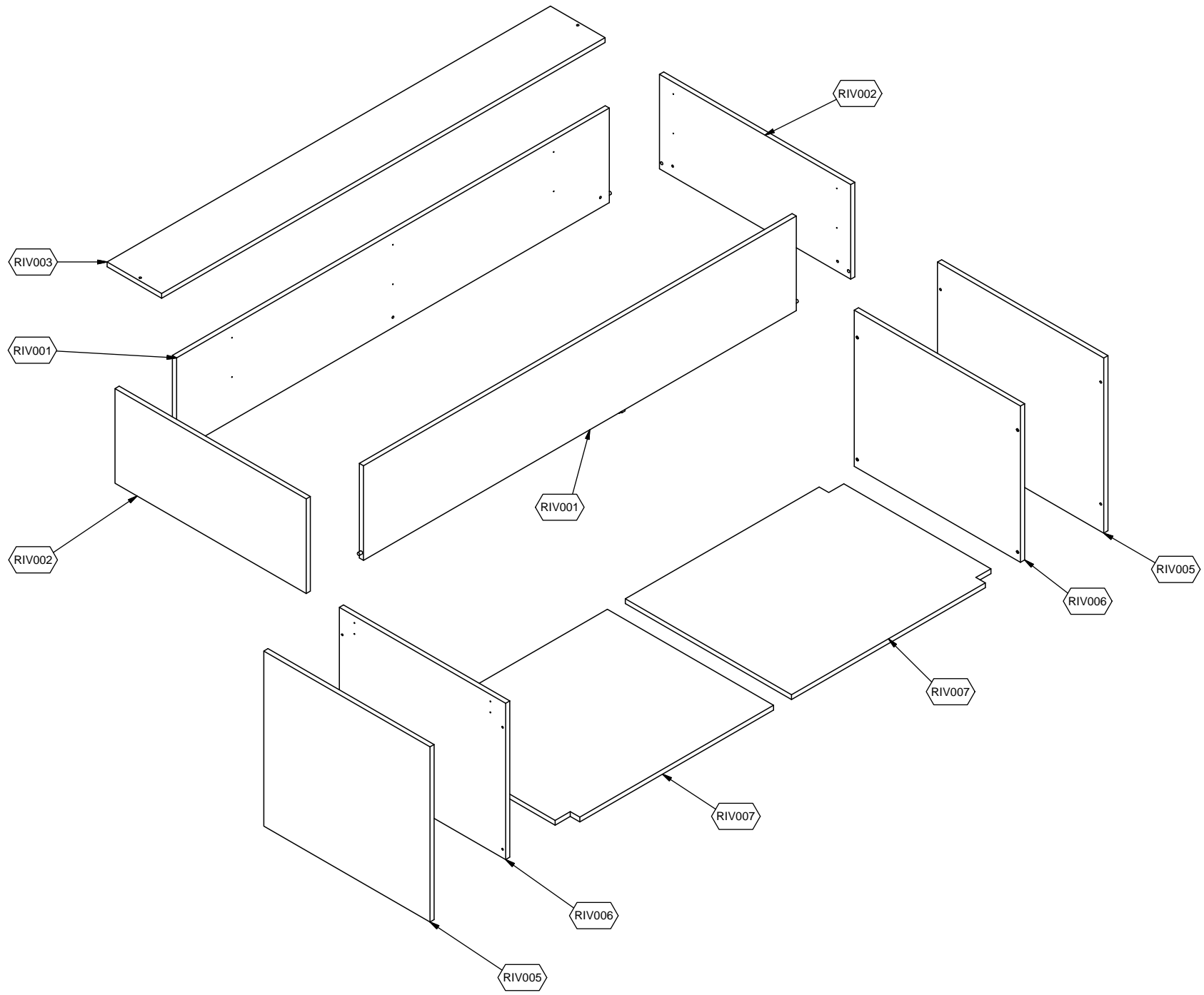
---

Bitte bei Ersatzteilbestellung immer Artikelnummer und Seriennummer mit angeben!



Il presente disegno non può essere riprodotto, utilizzato o comunicato a terzi.





## Exploded View

Validity: 08/04/2016

9BTIS4CEMWA03 TRADITION 4 VASCA CALDA SC WENGE

ESP084-01 TRADITION ORANGE

| Ref. Drawing | Code        | Description                              |
|--------------|-------------|--|
| CAN002       | 72539374    | CAPPOTTINA PLEXIGLASS HOT DROP-IN 4-1    |
| INT001       | 74742008    | INT.NERO ON-OFF 16A SH JS-608FA-O-B-6    |
| INT002       | 74742017    | INTERR.ARANC.LAMP 16A B418C1H1X0000 MOLV |
| INT004       | 75956088    | RELE FINDER 30A 65-31 230V 50-60HZ       |
| INT018       | 74741636    | PORTALAMPADE R7S CAVO IN SILIC. L=250MM  |
| LAM003       | 72539592    | LAM.SUPP.VASCHETTE DROP-IN CALDI         |
| LAM004       | 72539084    | LAM.PLAFONIER.SOVRASTR.LIGHT 4-1 DROP-IN |
| LAM017       | 72539674    | LAM.UNIONE GAMBA+TRAVERSO DROP-IN        |
| LAM019       | 74770972    | CR.PROTEZ.LAMPADA HOT DROP-IN            |
| LAM023       | 72539306    | STAF.FISSAG.MON.VERT.SOV.MOB.SQUARE 8-1  |
| LMP004       | 74751011    | LAMP.HALOTHERM ITT 200/235-0170 R7S 200W |
| MON001       | 73669734    | ASS.SOVRAS.TRADITION HOT DRY DROP-IN 4-1 |
| MON006       | 72539680    | TELAIO GAMBA DROP-IN                     |
| MON007       | 72539694    | TRAVERSO TELAIIO GAMBA 4/1 DROP-IN       |
| RIV001       | 72546356    | FIANCO SUP.WENGÈ DROP-IN 4/1             |
| RIV002       | 72546306    | SPALLA SUP.WENGÈ DROP-IN                 |
| RIV003       | 72546576    | TOP SOVR.MOBILE LED WENGÈ DROP-IN 4-1    |
| RIV005       | 72546316    | SPALLA INF.EST.WENGÈ DROP-IN             |
| RIV006       | 72546326    | SPALLA INF.INT.WENGÈ DROP-IN             |
| RIV007       | 72546406    | RIPIANO INF.WENGÈ DROP-IN 4/1            |
| RST001       | 70259098    | RESIS.ETCHED-FOIL PETT.500W/230V DROP-IN |
| SCE001       | SC862       | SCHEMA ELE. BUFFET TRADITION CALDO       |
| STP001       | 74742020    | TAPPO NERO 82F999200E SIGNALUX           |
| TAR001       | RIF.TAR.B07 | PARAMETRI DROPIN & BUFFET ORANGE         |
| THE001       | 74700897    | CENTRALINA EASY CAREL 130°C PJEZS2P000   |
| THE002       | 74700899    | SONDA NTC 50K HT 130°C NTC030HT00        |
| WHE001       | 74708011    | RUOTA GEMELLATA DIAM. 50MM POLIAMMIDE    |