

# ROBOT

ROBOT APPLIANCES

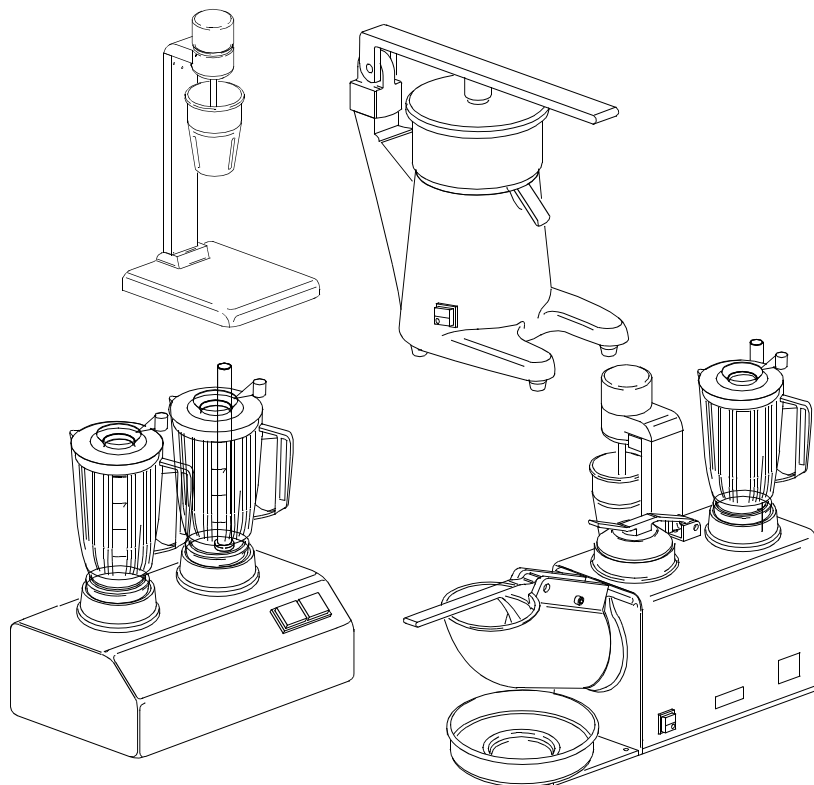
TYPE: RO

Accessories  
WITHOUT ACCESSORY

---

## Spare parts manual

---





## 1. Spare parts

<b>Blender F1 / F2 .....</b>	<b>5</b>
<b>Blender F1 / F2 .....</b>	<b>7</b>
<b>Citrus squeezers S30 .....</b>	<b>9</b>
<b>Citrus squeezers S40 .....</b>	<b>11</b>
<b>Citrus squeezers S40 .....</b>	<b>13</b>
<b>Citrus squeezers S55 .....</b>	<b>15</b>
<b>Citrus squeezers S55 .....</b>	<b>17</b>
<b>Multiple group GM - GM/2.....</b>	<b>19</b>
<b>Multiple group GM2/2.....</b>	<b>21</b>
<b>Multiple group GM3 - GM4.....</b>	<b>25</b>
<b>Mixer M1 - M2 - MP .....</b>	<b>29</b>
<b>Mixer M1 - M2 - MP .....</b>	<b>31</b>
<b>Mixer M1 - M2 - MP .....</b>	<b>33</b>



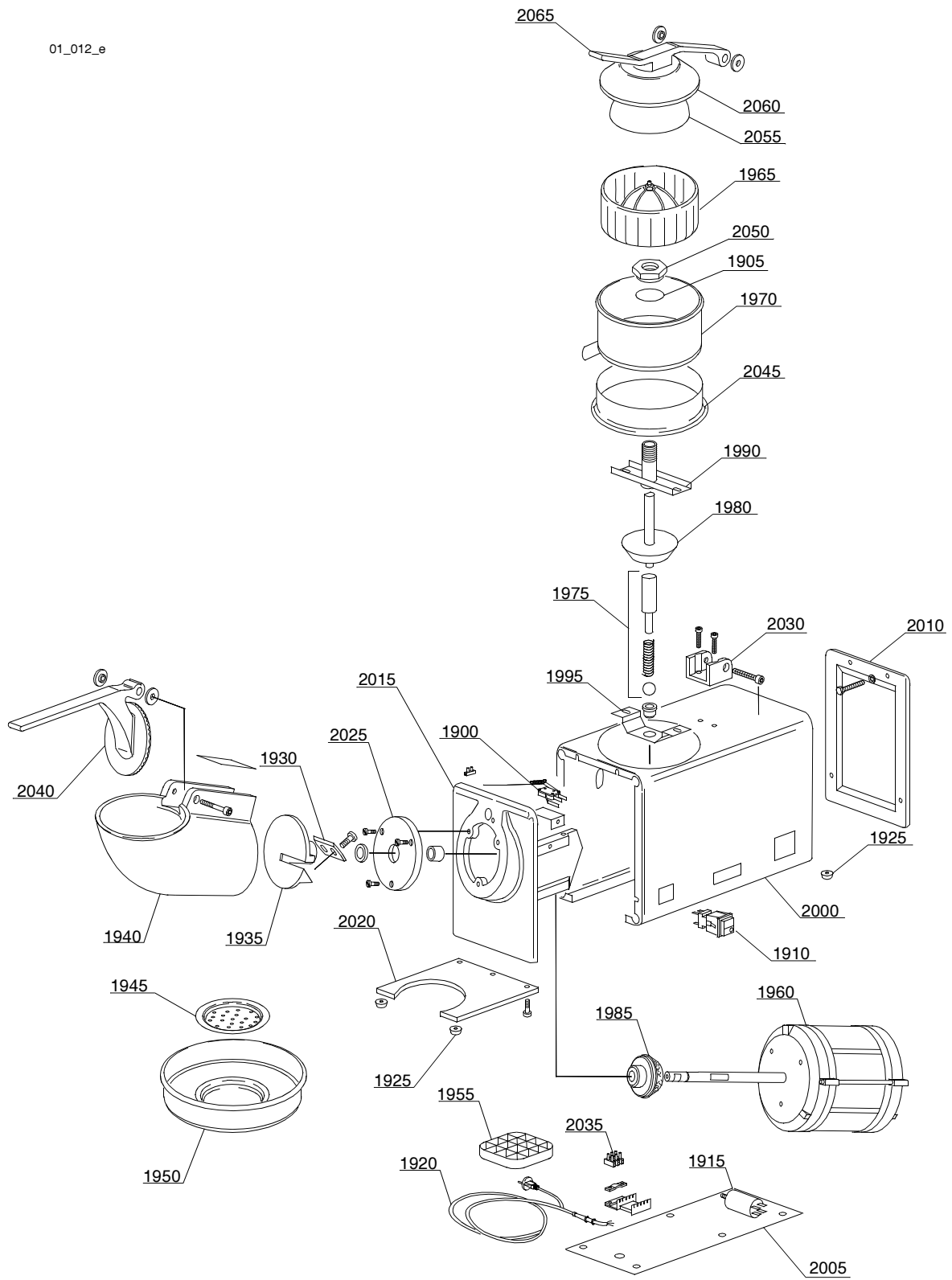
## 1.1 Voltage codes

Voltage code	Voltage
A	3/N/PE~400/230V 50Hz
B	~250V 16A 50Hz
C	3/N/PE~380/220V 50Hz
D	3/PE~200V 50-60Hz
F	2/PE 220-240V 50Hz
G	3/N/PE~415/240V 50Hz
H	3/PE~230V 50Hz
I	3/PE~220V 60Hz
J	3/PE~380 50Hz
K	3/PE~400V 50Hz
L	3/PE~415V 50Hz
M	3/PE~440V 60Hz
N	3/PE~460V 60Hz
O	3/PE~480V 60Hz
P	1/N/PE~220-240V 50Hz
R	2/PE~220-230V 60Hz
S	3/N/PE~400/230V 50Hz
T	3/PE~230V 60Hz

## 1.2 Product codes

Product code	Full name
Model codes	
Type codes	
51	51
56A	56A
56B	56B
56RB	56RB
56C	56C
56RC	56RC
56	56
57A	57A
57B	57B
57C	57C
57	57
581	581
582	582
58R	58R
58	58
RO	RO
BW	BW
Accessory codes	
wa	WITHOUT ACCESSORY

01\_012\_e



## Spare parts

ID	P-code	Model	Type	Accessory	Voltage	Description
MODULE:Multiple group GM - GM/2						
1900	10704		BW,RO,57,57A			Door microswitch
1905	13026		BW,RO,57,57A			OR 125 4075 gasket
1910	15849		BW,RO,57,57A			0-1 green single key switch
1915	18043		BW,RO,57,57A			10uF condenser
1920	60125		BW,RO,57,57A			Power supply cable
1925	60126		BW,RO,57,57A			Rubber small foot
1930	60127		BW,RO,57,57A			Blade for ice-crusher
1935	60134		BW,RO,57,57A			Blade holder
1940	60135		BW,RO,57,57A			Ice feeder
1945	60136		BW,RO,57,57A			Perforated rounded small grill
1950	60137		BW,RO,57,57A			Ice holder little tank
1955	60138		BW,RO,57,57A			Glasses holder
1960	60142		BW,RO,57,57A			Main motor
1965	60149		BW,RO,57,57A			Complete crown
1970	60150		BW,RO,57,57A			Fruit-juice squeezer little tank
1975	60153		BW,RO,57,57A			Complete press axis spring
1980	60154		BW,RO,57,57A			Aluminium pulley
1985	60156		BW,RO,57,57A			Clutch pulley
1990	60162		BW,RO,57,57A			Axis guide
1995	60163		BW,RO,57,57A			Axle support
2000	60201		BW,RO,57,57A			Stainless steel cover
2005	60211		BW,RO,57,57A			Bottom protection
2010	60220		BW,RO,57,57A			End panel
2015	60221		BW,RO,57,57A			Feeder holder
2020	60223		BW,RO,57,57A			Base
2025	60224		BW,RO,57,57A			Feeder support
2030	60225		BW,RO,57,57A			Lever holder
2035	60301		BW,RO,57,57A			3 poles terminal board
2040	60302		BW,RO,57,57A			Ice press handle
2045	60304		BW,RO,57,57A			Basin citrus-fruit squeezer support
2050	60305		BW,RO,57,57A			Nut lock small basin
2055	60306		BW,RO,57,57A			Little bell citrus-fruit squeezer
2060	60307		BW,RO,57,57A			Little bell citrus-fruit squeezer cover
2065	60308		BW,RO,57,57A			Citrus-fruit squeezer handle