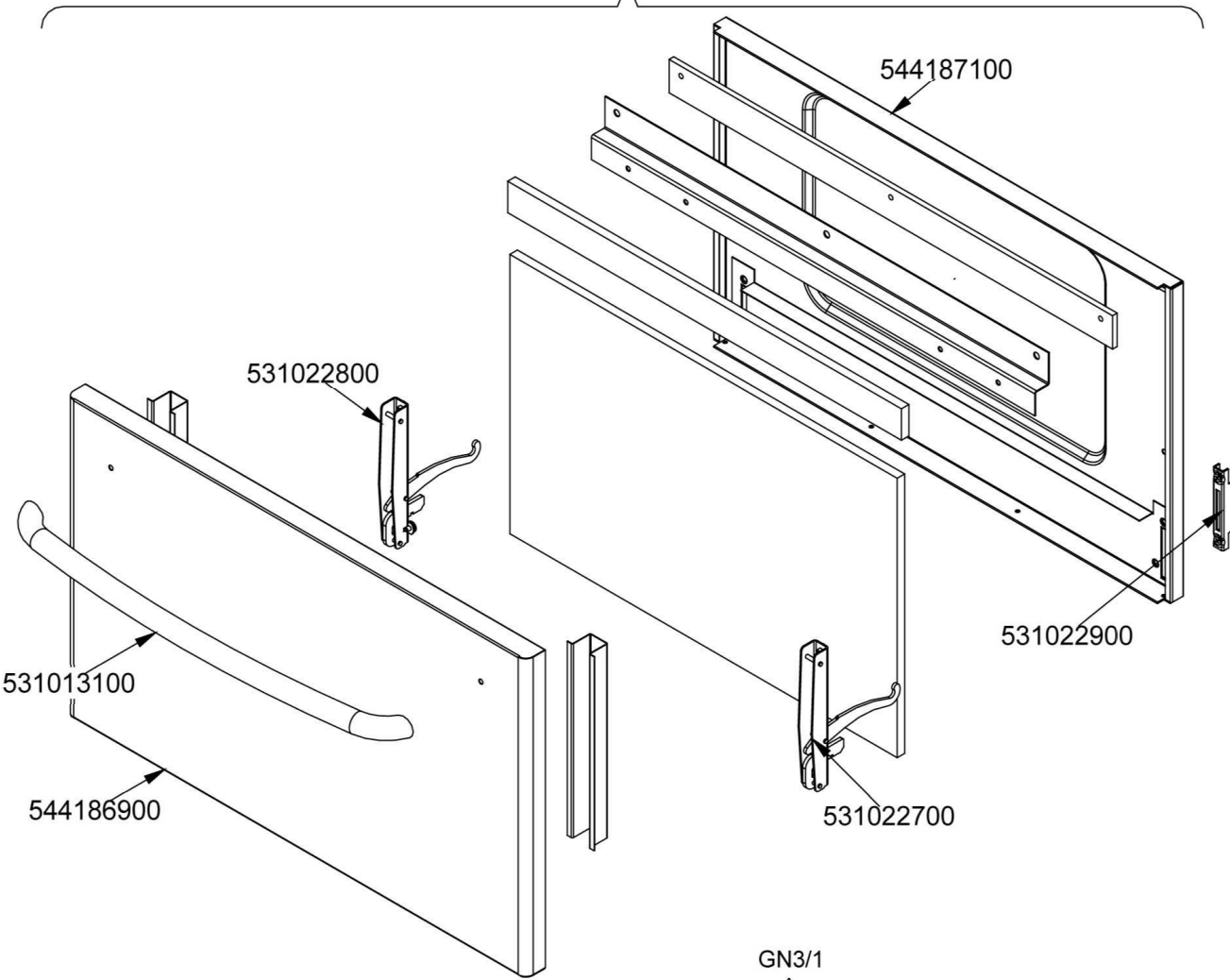
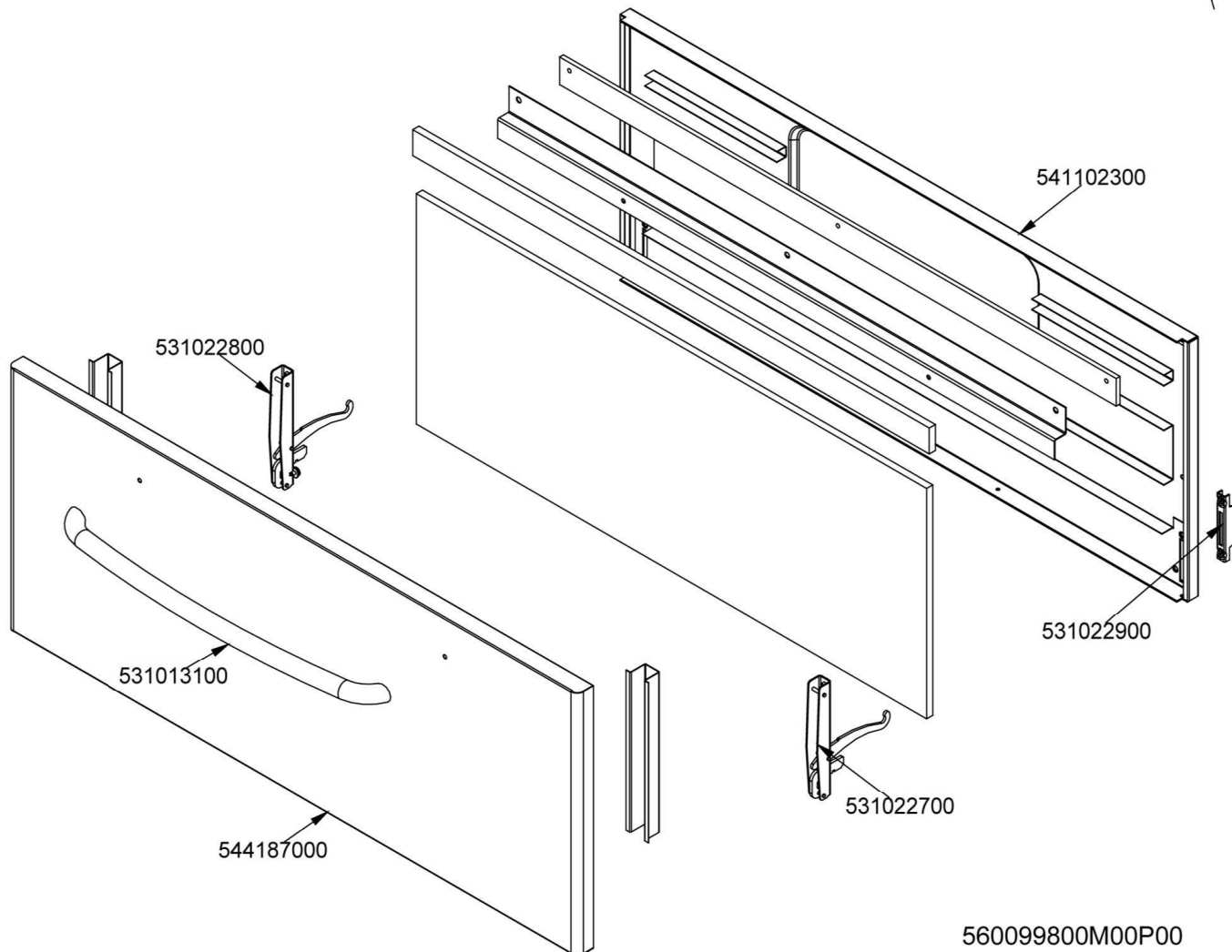


GN2/1

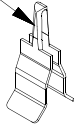


GN3/1

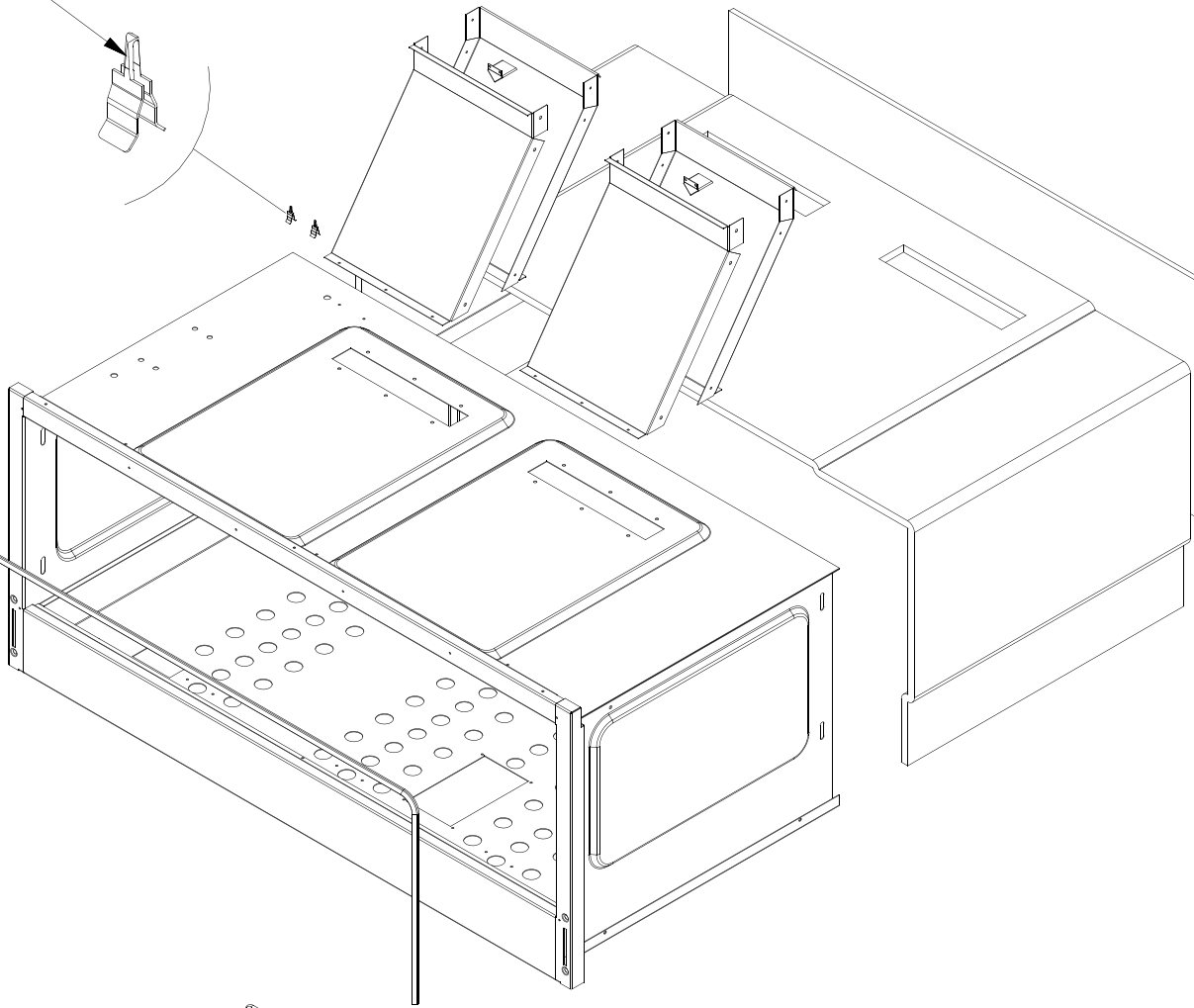


560099800M00P00

533033800



536010901



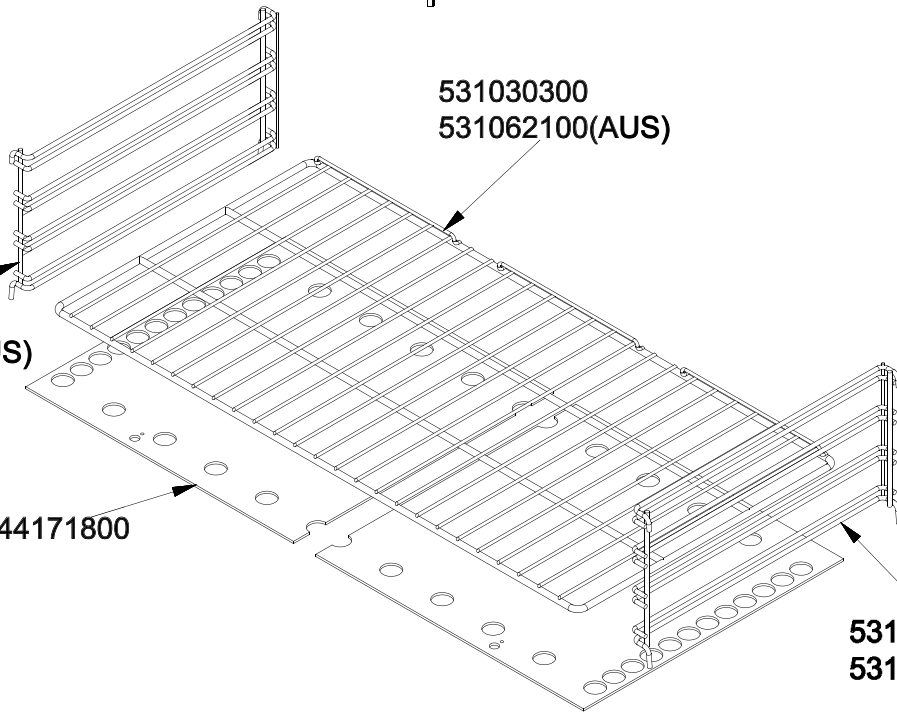
531030300
531062100(AUS)

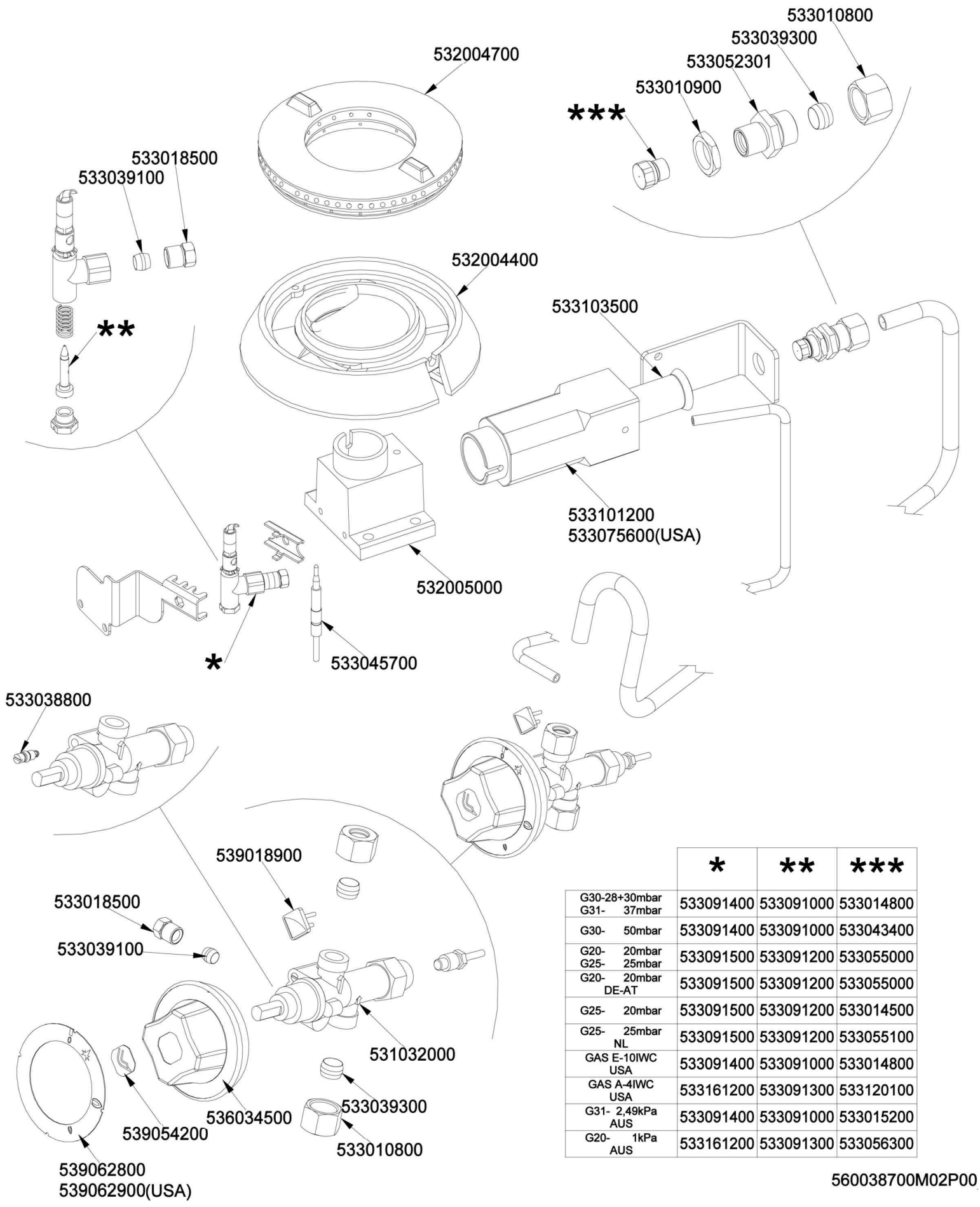
531030500
531062300(AUS)

544171800

531030400
531062200(AUS)

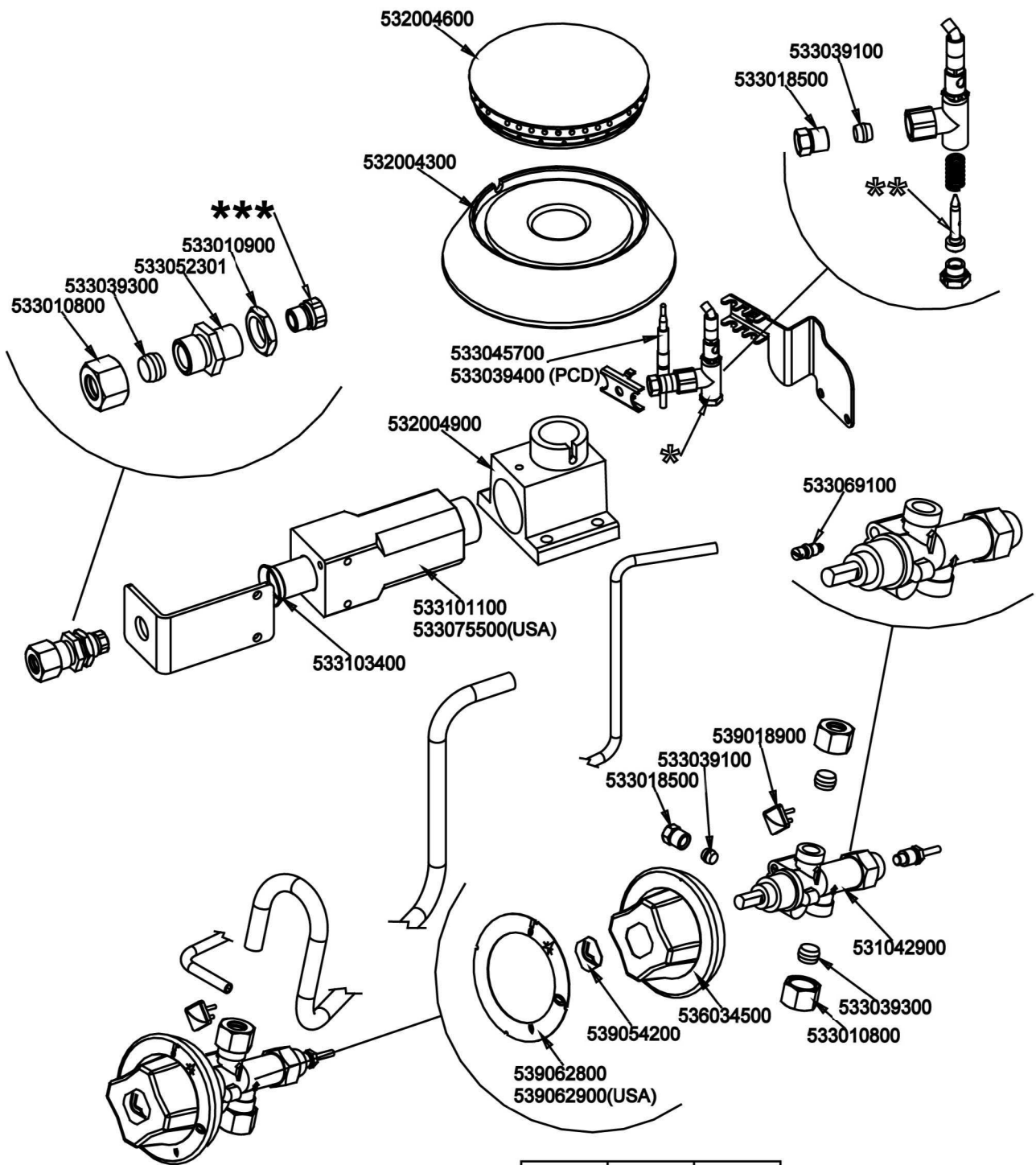
560012400M02P00



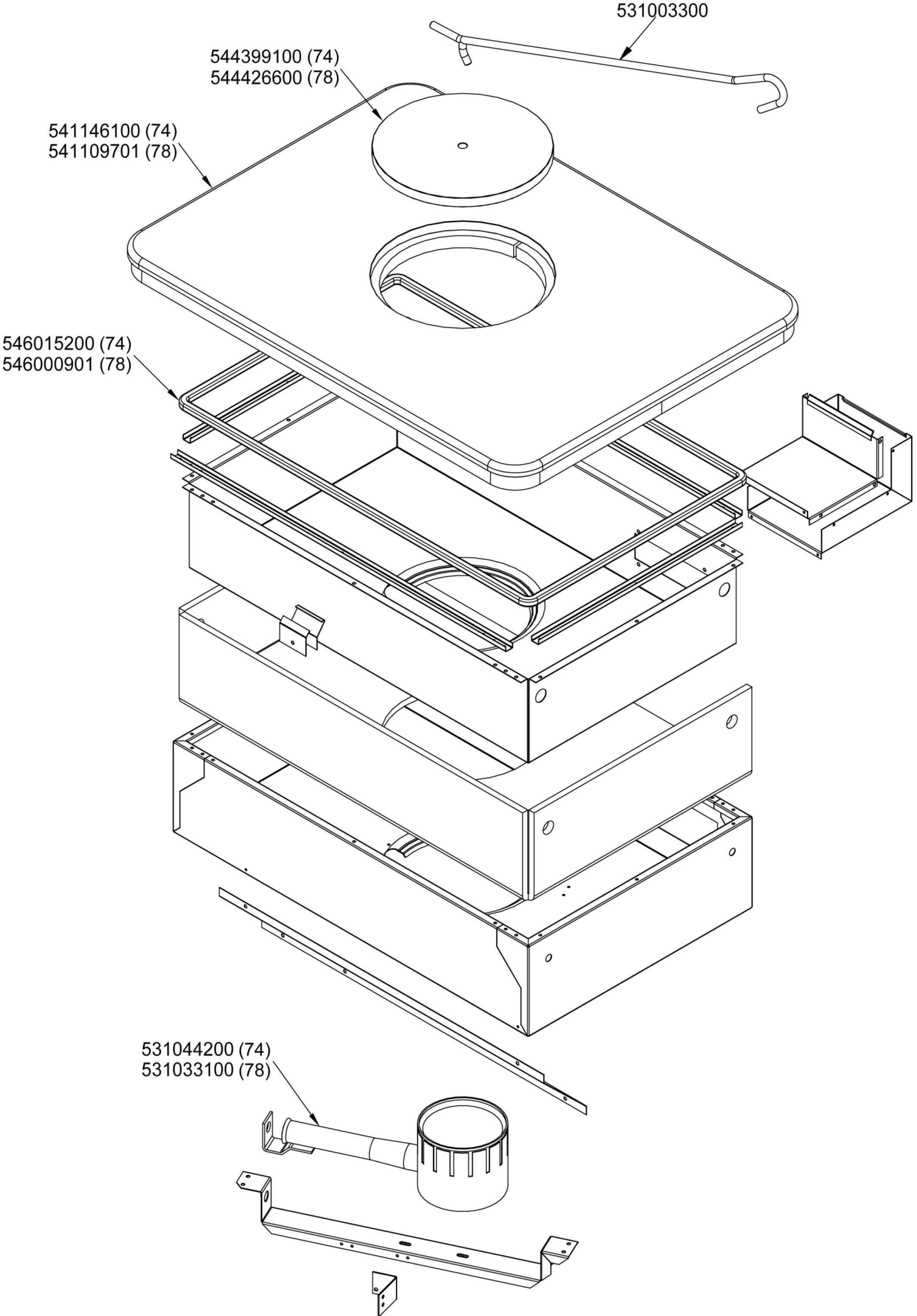


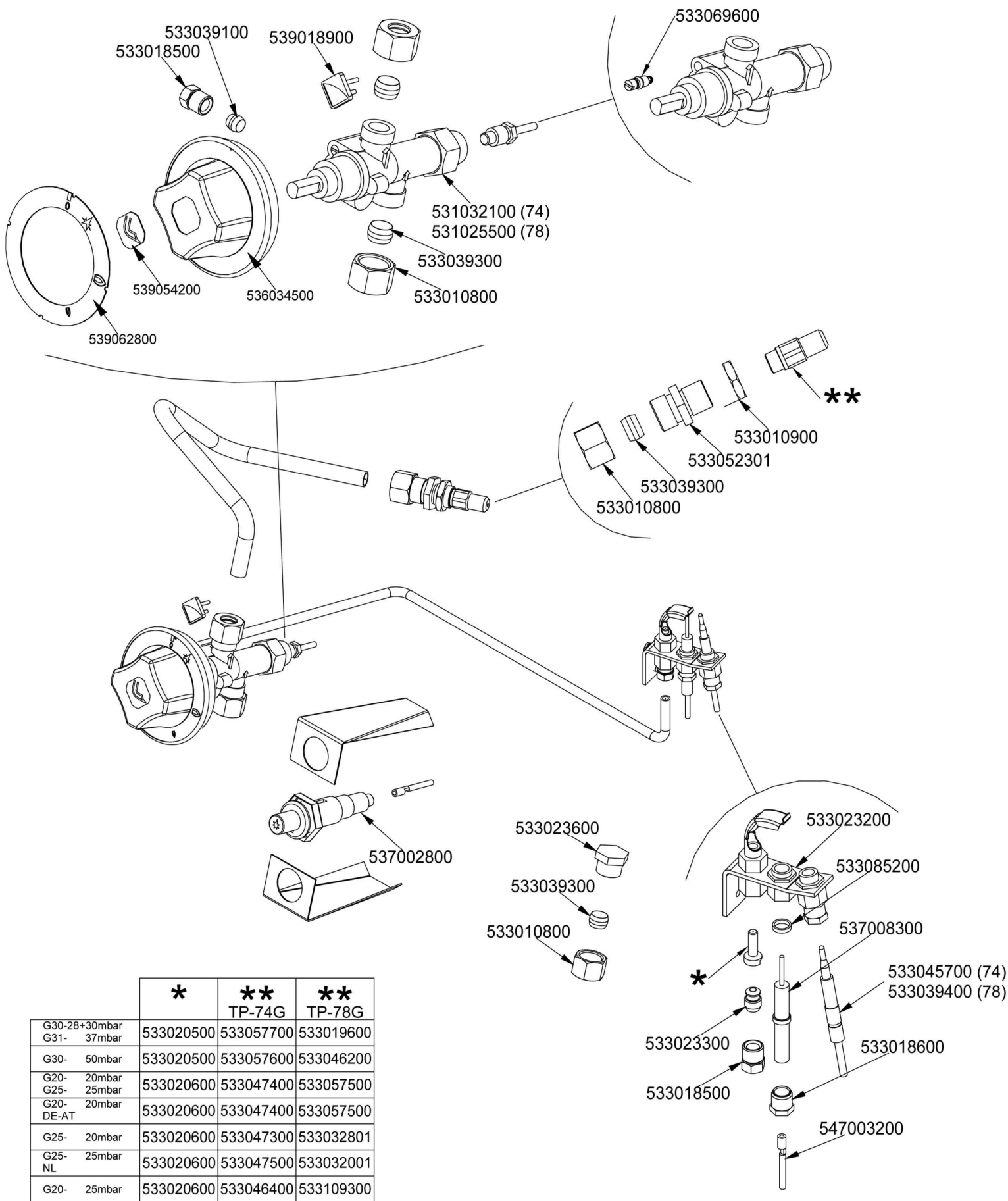
	*	**	***
G30-28+30mbar G31- 37mbar	533091400	533091000	533014800
G30- 50mbar	533091400	533091000	533043400
G20- 20mbar G25- 25mbar	533091500	533091200	533055000
G20- 20mbar DE-AT	533091500	533091200	533055000
G25- 20mbar	533091500	533091200	533014500
G25- 25mbar NL	533091500	533091200	533055100
GAS E-10IWC USA	533091400	533091000	533014800
GAS A-4IWC USA	533161200	533091300	533120100
G31- 2,49kPa AUS	533091400	533091000	533015200
G20- 1kPa AUS	533161200	533091300	533056300

560038700M02P00



	*	**	***
G30-28+30mbar G31- 37mbar	533091400	533091000	533043900
G30- 50mbar	533091400	533091000	533019300
G20- 20mbar G25- 25mbar	533091500	533091200	533031000
G20- 20mbar DE-AT	533091500	533091200	533031000
G25- 20mbar	533091500	533091200	533043500
G25- 25mbar NL	533091500	533091200	533019400
GAS E-10IWC USA	533091400	533091000	533043200
GAS A-4IWC USA	533161200	533091300	533043100
G31- 2,49kPa AUS	533091400	533091000	533043900
G20- 1kPa AUS	533161200	533091300	533043500





	*	**	**
		TP-74G	TP-78G
G30-28+30mbar G31- 37mbar	533020500	533057700	533019600
G30- 50mbar	533020500	533057600	533046200
G20- 20mbar G25- 25mbar	533020600	533047400	533057500
G20- 20mbar DE-AT	533020600	533047400	533057500
G25- 20mbar	533020600	533047300	533032801
G25- 25mbar NL	533020600	533047500	533032001
G20- 25mbar	533020600	533046400	533109300

Page	Pos	Code	Description
001		532004100	FLUE GRID L=370 90LINE (RAF
001		541135300	LOW SPACER 712 3 GRIDS
001		531047000	2 BURNER GRID FOR PC-700
001		544384300	
001		544333900	BURNER CONTAINER 1/1GN R 304
001		544173300	LEFT SIDE PANEL RANGE S.70
001		541120300	CONTROL PANEL TPF2-912G
001		544173200	RIGHT SIDE PANEL RANGE S.70
001		536005200	INOX LEG 2" 120-180 M10
002		544187100	OVEN INNER DOOR GN 2/1 70/90LINE
002		531022800	LEFT OVEN DOOR HINGE S.70
002		531013100	OVEN DOOR HANDLE OF 70/90-LINE
002		544186900	OVEN DOOR GN 2/1 70/90LINES
002		531022700	RIGHT OVEN DOOR HINGE 70LINE
002		531022900	HINGE DOOR WHEEL HOLDER S.70
002		541102300	GAS OVEN INNER DOOR GN 3/1 S.70
002		544187000	OVEN DOOR GN 3/1 S.70
003		533033800	LOCK SPRING FOR BULB §6
003		536010901	GAS OVEN GASKET GN 3/1 (1668
003		531030300	OVEN GRID GN 3/1 FOR 70 LINE
003		531062100	OVEN GRID GN 3/1 FOR 70 LINE
003		531030500	LHD SUPPORT GRID FOR OVEN OF 70LINE
003		531062300	LHD SUPPORT GRID FOR OVEN OF 70LINE
003		544171800	BOTTOM FOR GAS OVEN GN3/1 70 LINE
003		531030400	RHD SUPPORT GRID FOR OVEN OF 70LINE
003		531062200	RHD SUPPORT GRID FOR OVEN OF 70LINE
004		533010800	TUBE NUT D.10 M16*1,5
004		533039300	BICONE §10
004		533052301	JOINT FOR NOZZLE HOLDER
004		532004700	BURNER COVER RING UR D128
004		533010900	NUT M14*1 H.4
004		533018500	FITTING FOR BICONE D.6 M10*1
004		533039100	BICONE §6
004		532004400	BIG BURNER BODY 70LINE P.
004		533103500	AIR ADJUSTMENT BUSHING D22 EST.H57
004		533101200	BURNER VENTURI UR
004		533075600	BURNER VENTURI 7,5KW S70 USA
004		532005000	ELBOW FITTING OF BURNER VENTURI UR
004		533045700	THERMOCOUPLE M9*1 500
004		533038800	75 BY-PASS FOR 21S TAP
004		539018900	INDEX FOR KNOB W/RED SIGN
004		531032000	GAS COCK P.V.BY-PASS Ø075
004		536034500	KNOB §77 4P. §08*6,5
004		539054200	STAMP Ø20,5 CR."L" LOTUS R.
004		539062800	RED STICKING DISK 72
004		539062900	RED STICKING DISK 72 USA
004		533091400	P.NOZZLE S100 UG.§20 PC90 LPG-FLUS
004		533091500	PILOT NOZZLE S.100 §30 PC90 NAT.GAS
004		533091000	NOZZLE 0.100 §20
004		533091200	PILOT NOZZLE 0100 Ø35 PIL.PC
004		533091300	PILOT NOZZLE 0100 Ø40 PIL.PC

Page	Pos	Code	Description
004		533014800	NOZZLE §135 CH12*14,0
004		533043400	NOZZLE §117 CH12*14 G-PC4 UR
004		533055000	NOZZLE §205 CH12*14 G25 CW4
004		533014500	NOZZLE §225 CH12*14 OVEN GN 2/1
004		533055100	NOZZLE §215 CH12*14 L-CW4
004		533120100	NOZZLE §210 CH12*14,0
004		533015200	NOZZLE §145 CH12*14 F-FP/CP6
004		533056300	NOZZLE §240 CH12*14
005		532004600	BURNER COVER RING R D104
005		533039100	BICONE §6
005		533018500	FITTING FOR BICONE D.6 M10*1
005		532004300	MIDDLE BURNER BODY 70LINE P.
005		533010900	NUT M14*1 H.4
005		533052301	JOINT FOR NOZZLE HOLDER
005		533039300	BICONE §10
005		533010800	TUBE NUT D.10 M16*1,5
005		533045700	THERMOCOUPLE M9*1 500
005		533039400	THERMOCOUPLE M9*1*850
005		532004900	ELBOW FITTING OF BURNER VENTURI R
005		533069100	BY PASS COCK §60 20S
005		533101100	BURNER VENTURI R
005		533075500	BURNER VENTURI 5,5KW S70 USA
005		533103400	AIR ADJUSTMENT BUSHING D20 EST.H57
005		539018900	INDEX FOR KNOB W/RED SIGN
005		531042900	B.PASS §60 SAFETY COCK PC/CF 90
005		539054200	STAMP Ø20,5 CR."L" LOTUS R.
005		539062800	RED STICKING DISK 72
005		539062900	RED STICKING DISK 72 USA
005		533091400	P.NOZZLE S100 UG.§20 PC90 LPG-FLUS
005		533091500	PILOT NOZZLE S.100 §30 PC90 NAT.GAS
005		533091000	NOZZLE 0.100 §20
005		533091200	PILOT NOZZLE 0100 Ø35 PIL.PC
005		533091300	PILOT NOZZLE 0100 Ø40 PIL.PC
005		533043900	NOZZLE §115 CH12*14 F-CW4
005		533019300	NOZZLE §100 G-FQ5 F-CW
005		533031000	NOZZLE §175 CH12X14
005		533043500	NOZZLE §190 CH12*14 G25 PC4R
005		533019400	NOZZLE §180 CH12*14 L-FQ5
005		533043200	NOZZLE §110 G30 (LPG) CH12X14
005		533043100	NOZZLE §185 G25 CH12X14
006		531003300	TP-PLATE LIFTING HOOK
006		544399100	PLATE RING FOR TP-74G TP-94G
006		544426600	PLATE RING FOR TP-98G
006		541146100	PLATE TP-74G
006		541109701	UPPER PLATE TP-78G
006		546015200	SQUARE BRAID 12*12*L=1495
006		546000901	SQUARE BRAID OF INSULATING MATERIAL
006		531044200	CIRCULAR BURNER TP D.066
006		531033100	BURNER TP..-78G
007		533018500	FITTING FOR BICONE D.6 M10*1
007		533039100	BICONE §6

Page	Pos	Code	Description
007		539018900	INDEX FOR KNOB W/RED SIGN
007		533069600	BY PASS COCK §130 20S-21S
007		531032100	GAS COCK 21S P.V.BY-PASS O100
007		531025500	GAS COCK 21S P.V.BY-PASS O130
007		533039300	BICONE §10
007		533010800	TUBE NUT D.10 M16*1,5
007		536034500	KNOB §77 4P. §08*6,5
007		539054200	STAMP O20,5 CR."L" LOTUS R.
007		539062800	RED STICKING DISK 72
007		533010900	NUT M14*1 H.4
007		533052301	JOINT FOR NOZZLE HOLDER
007		537002800	PIEZOELECTRIC IGNITION M18 WITH NUT
007		533023600	TAP PLUG §10 M16*1, 5CH19
007		533023200	TARGET PILOT + NIPPLE TC BRAC.90°
007		533085200	SPACER FOR PILOT PLUG
007		537008300	ROUND PLUG §2,4- LONG ELECTRODE
007		533045700	THERMOCOUPLE M9*1 500
007		533039400	THERMOCOUPLE M9*1*850
007		533023300	BICONE §6 ("TARGET" PILOT
007		533018600	PLUG FITTING
007		547003200	HIGH-VOLTAGE CABLE TUBE.§2 L=500
007		533020500	NOZZLE 0.140 §19
007		533020600	NOZZLE 0.140 §27
007		533057700	NOZZLE §130A CH12*30 F-BRF74
007		533057600	NOZZLE §115A CH12*30 G-BRF74
007		533047400	NOZZLE §195 CH12*30 M-BM8
007		533047300	NOZZLE §215 CH12*30 L-BM8
007		533046400	NOZZLE §185 CH12*30 G-CPM
007		533019600	NOZZLE §165 CH12*30 MH-FT5 H-FT6
007		533046200	NOZZLE §150 CH12X30 L-BR TP
007		533057500	NOZZLE §260 CH12X30
007		533032801	NOZZLE §280 CH12*30 M-CPM
007		533032001	NOZZLE §270 CH12*30 MH-CPM
007		533109300	NOZZLE CH12X30,0 O245