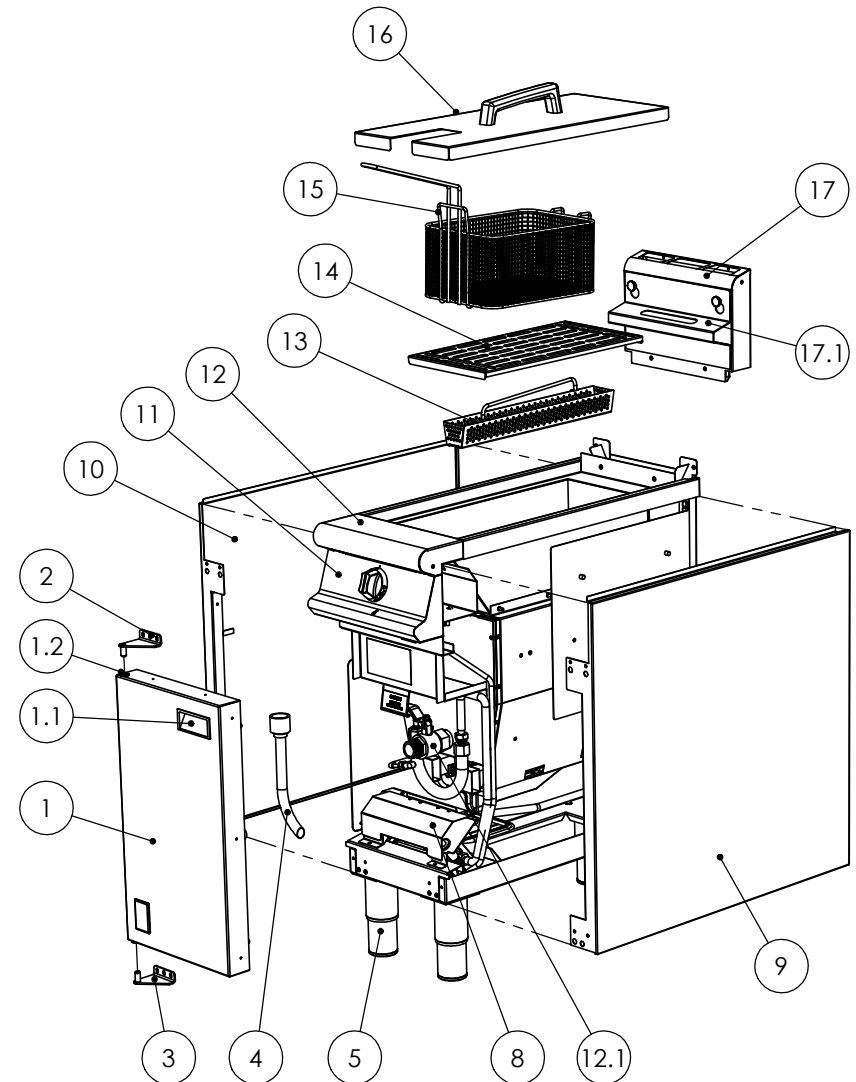


DOMINATOR PLUS

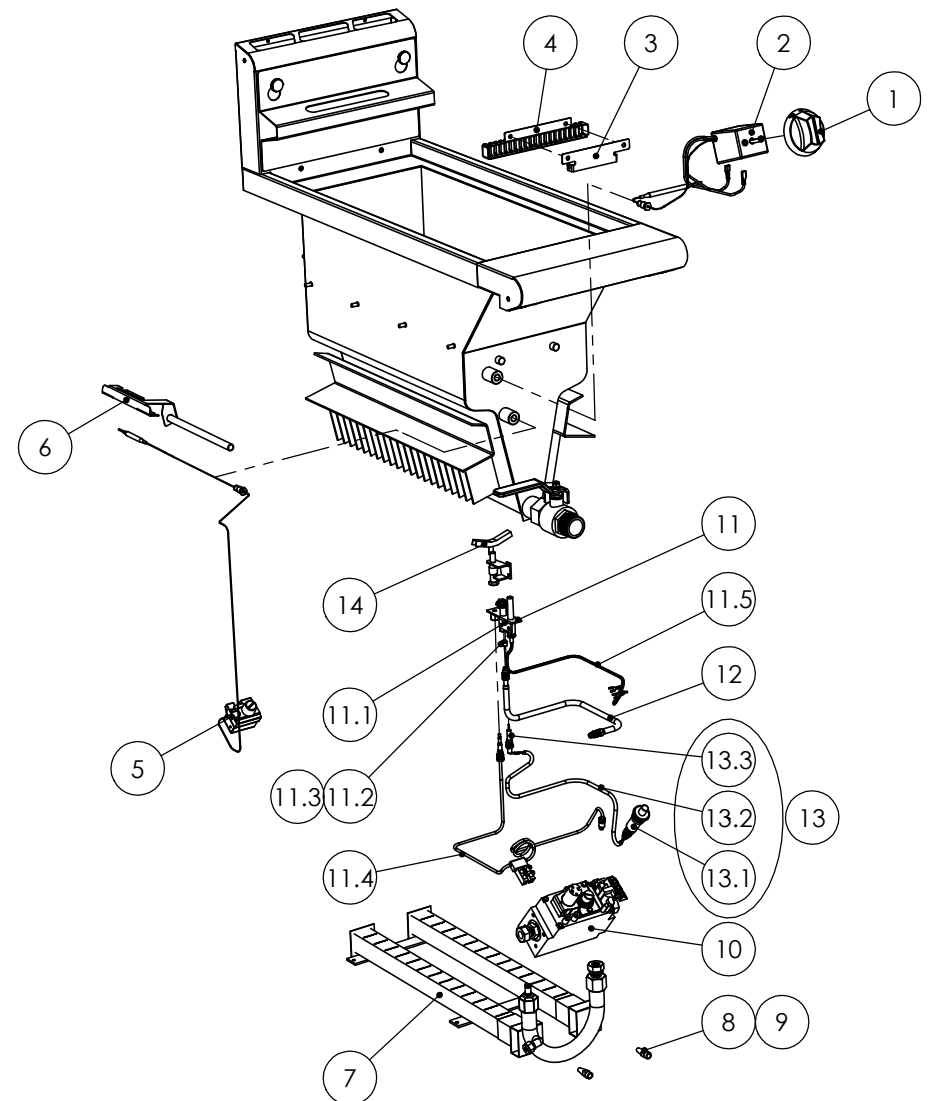
ITEM	DESCRIPTION	SPARES No
1	DOOR ASSEMBLY	535670002
1.1	DOOR HANDLE	736010020
1.2	DOOR HINGE BUSH (x2)	536060036
2	DOOR HINGE - TOP	535200006
3	DOOR HINGE - BOTTOM	535200007
4	DRAIN TUBE ASSEMBLY	535710015
5	ADJUSTABLE FOOT	535290028
6	CASTOR - BRAKED (x2) - NOT SHOWN	536430110
7	CASTOR - FIXED (x2) - NOT SHOWN	536470013
8	GAS VALVE COVER C/W HINGES	535670003
9	OUTER SIDE PANEL - RH	535670004
10	OUTER SIDE PANEL - LH	535670005
11	CONTROL PANEL	535670006
12	HOB/PAN ASSEMBLY C/W INSULATION & DRAIN VALVE	535670007
12.1	DRAIN VALVE ASSEMBLY	535670008
13	PAN STRAINER	535670009
14	FISH PLATE	535710022
15	BASKET	531302010
16	DUST COVER	535670010
17	FLUE ASSEMBLY	535670011
17.1	BASKET HANGER	535670012



Issue	Alteration	Date	Product	Document Reference
A	Initial Issue	09/08/11	G3830	AD48877

DOMINATOR PLUS

ITEM	DESCRIPTION	SPARES No
1	CONTROL KNOB	535670013
2	OPERATING THERMOSTAT	535670014
3	OPERATING STAT PHIAL MOUNT BRACKET	535670015
4	OPERATING STAT PHIAL COVER	535670016
5	SAFETY THERMOSTAT	535670017
6	SAFETY STAT PHIAL MOUNT BRACKET	535670018
7	BURNER ASSEMBLY (NO INJECTORS)	535670019
8	BURNER INJECTORS (x2) - NAT GAS	535670020
9	BURNER INJECTORS (x2) - PROPANE	535670021
10	GAS CONTROL VALVE C/W FITTINGS - NAT & PROPANE	535670022
11	PILOT ASSEMBLY - NAT & PROPANE	535670023
11.1	3 FLAME PILOT	530760007
11.2	PILOT INJECTOR - NAT GAS	537350013
11.3	PILOT INJECTOR - PROPANE	537350014
11.4	THERMOCOUPLE	535670024
11.5	THERMOPILE	537350005
12	PILOT PIPE C/W FITTINGS	535670025
13	SPARK IGNITOR ASSEMBLY	535670026
13.1	SPARK IGNITOR	537350029
13.2	SPARK IGNITOR CABLE	535710115
13.3	SPARK ELECTRODE	537350007
14	CROSS LIGHTER ASSEMBLY - NAT & PROPANE	535670027
14.1	CROSS LIGHTER INJECTOR - NAT GAS	535710091
14.2	CROSS LIGHTER INJECTOR - PROPANE	531300070



Issue	Alteration	Date	Product	Document Reference
B	Initial Issue	09/08/11	G3830	AD48878