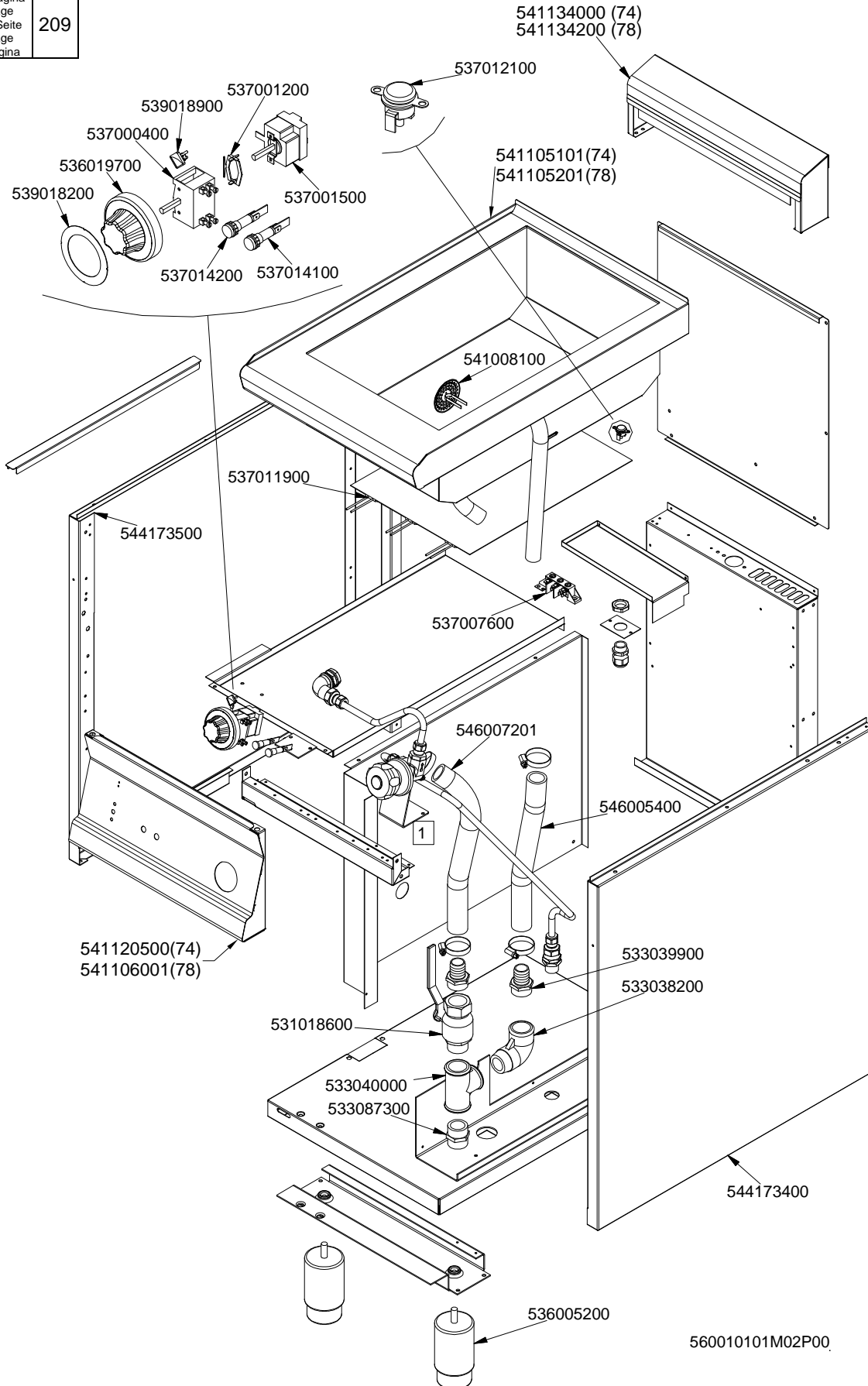


# SUPERLOTUS 70≥0602

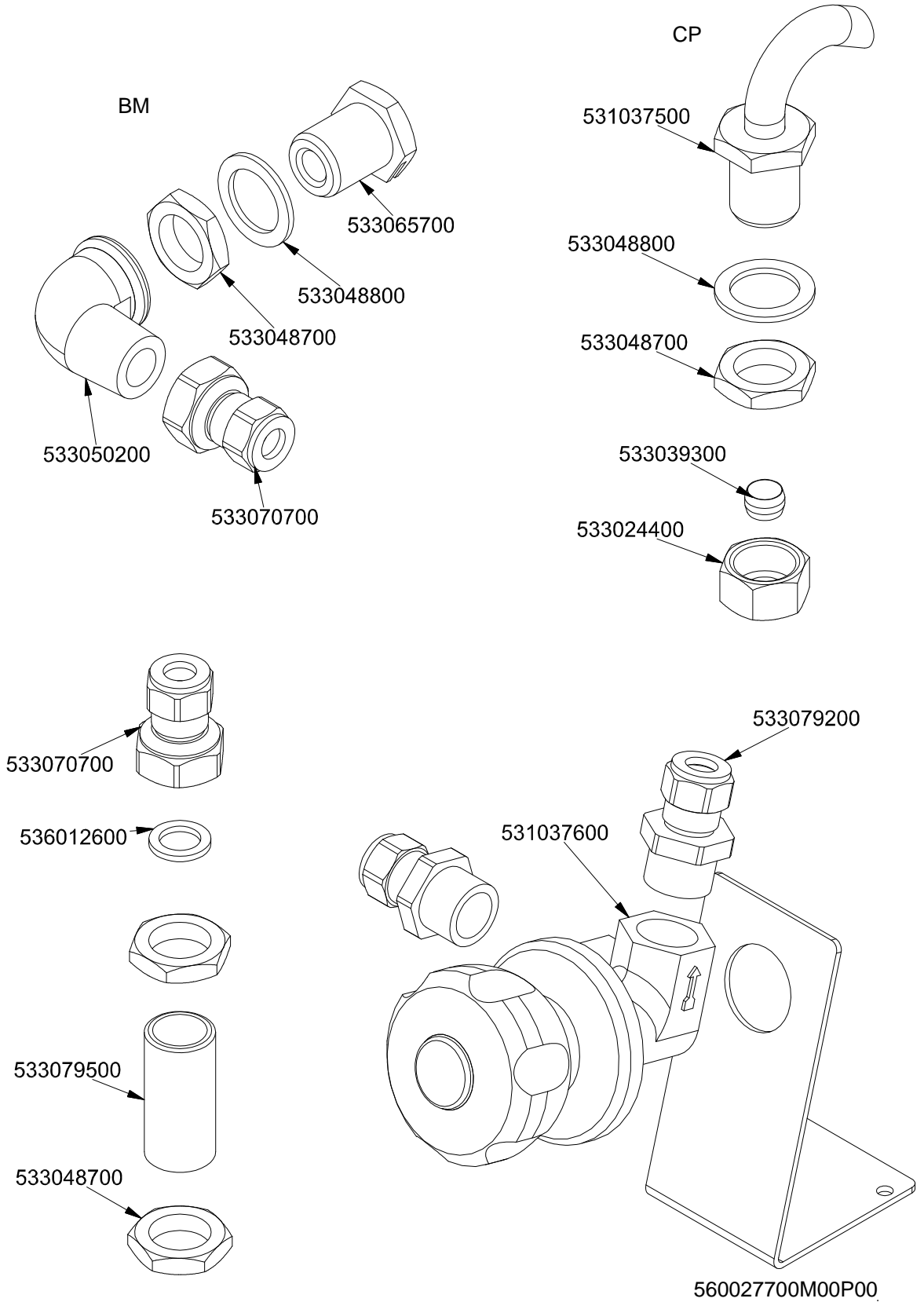
ELETTRICO / ELECTRIC / ELEKTRO / ELECTRIQUE

**BM-74EM N°≤0704 BM-78EM N°≤0706**

Vedi Pagina See Page Siehe Seite Voir Page Ver Página	<b>209</b>
---	------------



**BM CP**



Page	Pos	Code	Description
001		541134200	NEUTRAL LOW SPACER 78
001		537012100	TEMPERATURE LIMITING DEVICE 165°C
001		541105201	UPPER PLATE BM-78E
001		537001200	FIXING BRACKET FOR THERMOSTAT/COMM.
001		539018900	INDEX FOR KNOB
001		537000400	COMMUTATOR 1POS.SINGLEPHASE S49 16A
001		536019700	BLACK KNOB §70 PIN §6*5
001		539018200	ADHESIVE GRADUATED DISC FOR KNOB
001		537001500	THERMOSTAT 30-90°C SINGLEPHASE
001		537014100	WHITE WARNING LIGHT 250V
001		537014200	GREEN WARNING LIGHT 250V
001		541008100	DRAIN FILTER TANK CP 700LINE
001		537011900	HEATING ELEMENT W650 V230 ICE-FOIL
001		544173500	LEFT SIDE PANEL S.70
001		537007600	TERMINAL BLOCK SINGLEPHASE 40A
001		546007201	RUBBER TUBE §25INT.*§33EXT.*L=360
001		546005400	RUBBER TUBE §25INT.*§33EXT.*L=540
001		541106001	CONTROL PANEL BM-78/98E CP-98BE
001		531018600	BALL VALVE 1"G M-F CPM-62G
001		533039900	PIPE HOLDER 1" G M D.24
001		533038200	1" G M-F ELBOW FITTING
001		533040000	1"G F-F-F "T" FITTING
001		533087300	HEXAGONAL BICONE 1G
001		544173400	RIGHT SIDE PANEL S.70
001		536005200	INOX LEG 2" 120-180 M10
002		533065700	FITTING FOR WATER INPUT 1/2G
002		533048800	GASKET §30*§21*2 FIBRE
002		533048700	NUT 1/2G ZN
002		533050200	90° 1/2 M/F ELBOW FITTING
002		533070700	FITTING 1/2G TUBE D10 + O-RING
002		531037500	
002		533039300	BICONE §10
002		533024400	HEXAGONAL NUT 1/2G TUBE D.10
002		533079200	FITTING 1/2G F.TUBE D10 + O-RING
002		536012600	GASKET §12,5*§18,5*2 1/2G
002		531037600	TAP FOR WATER LOADING 1/2"GF CP 90
002		533079500	