

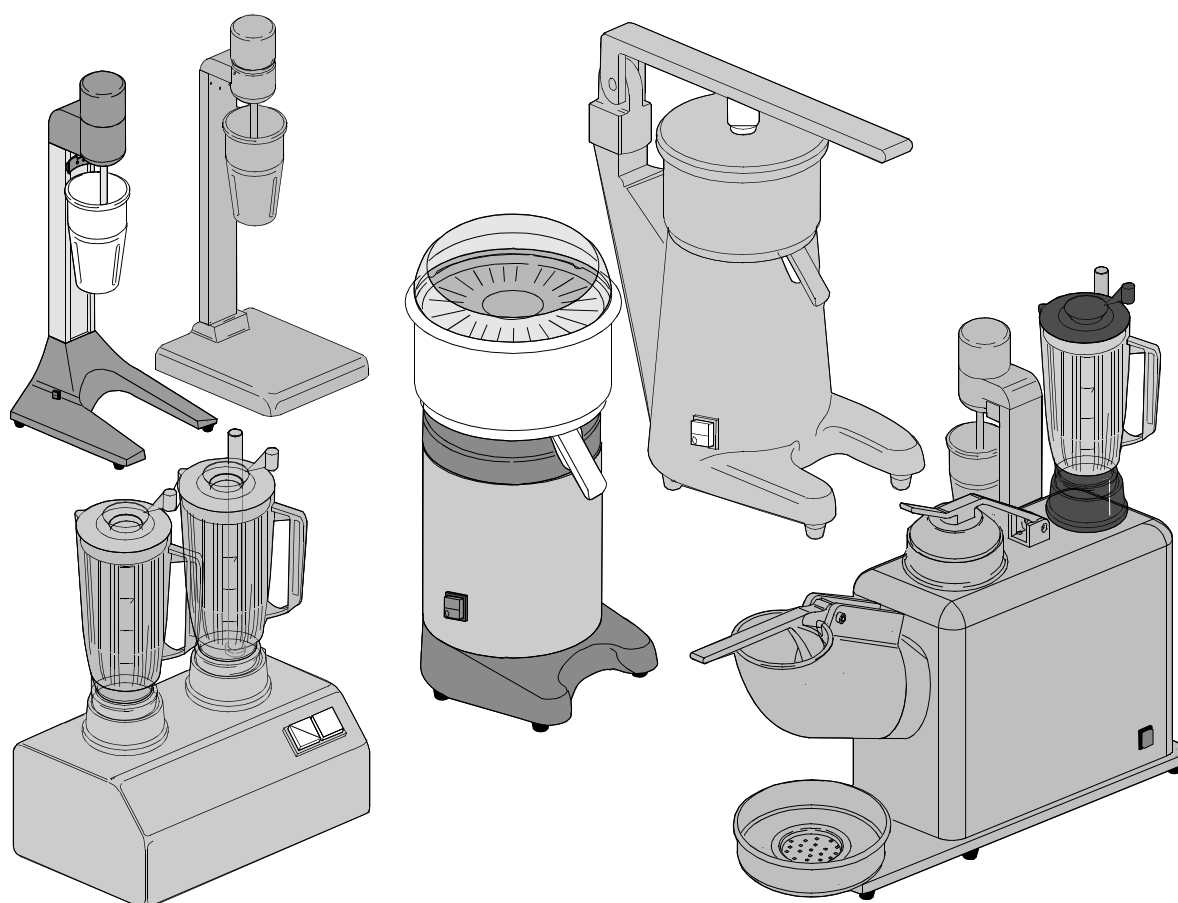
ROBOT

LINEA ROBOT

TYPE: RO

Accessories
WITHOUT ACCESSORY

Spare parts manual



S/N:

Valid from:..11/2003

Rev.: 4.0

1. Spare parts

Blender F1 / F2	7
Blender F1 / F2	9
Blender F1 / F2	11
Citrus squeezers S30	13
Citrus squeezers S40	15
Citrus squeezers S40	17
Citrus squeezers S55	19
Citrus squeezers S55	21
Multiple group GM mod.03.....	23
Multiple group GM/2 mod.03	25
Multiple group GM - GM/2.....	27
Multiple group GM2/2.....	29
Multiple group GM2/2 mod.03	33
Multiple group GM3 mod.03.....	35
Multiple group GM4 mod.03.....	39
Multiple group GM3 - GM4.....	43

Spare parts

Mixer M1 - M2 - MP 47

Mixer M1 - M2 - MP 49

Mixer M1 - M2 - MP 51

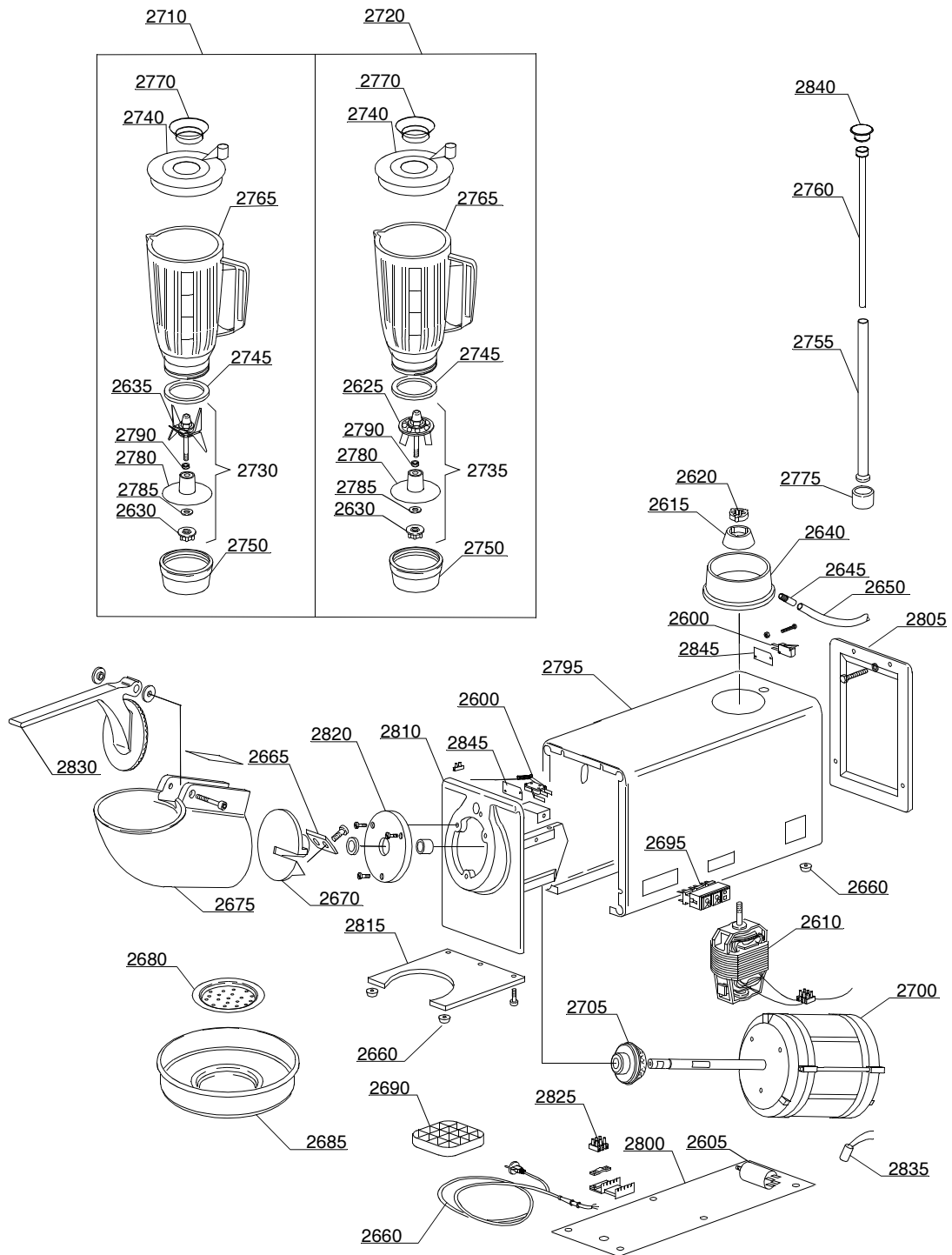
Spare parts

1.1 Voltage codes

Voltage code	Voltage
A	3/N/PE~400/230V 50Hz
B	~250V 16A 50Hz
C	3/N/PE~380/220V 50Hz
D	3/PE~200V 50-60Hz
F	2/PE 220-240V 50Hz
G	3/N/PE~415/240V 50Hz
H	3/PE~230V 50Hz
I	3/PE~220V 60Hz
J	3/PE~380 50Hz
K	3/PE~400V 50Hz
L	3/PE~415V 50Hz
M	3/PE~440V 60Hz
N	3/PE~460V 60Hz
O	3/PE~480V 60Hz
P	1/N/PE~220-240V 50Hz
R	2/PE~220-230V 60Hz
S	3/N/PE~400/230V 50Hz
T	3/PE~230V 60Hz

1.2 Product codes

Product code	Full name
Model codes	
Type codes	
51	51
56A	56A
56B	56B
56RB	56RB
56C	56C
56RC	56RC
56	56
57A	57A
57B	57B
57C	57C
57	57
581	581
582	582
58R	58R
58	58
RO	RO
BW	BW
Accessory codes	
wa	WITHOUT ACCESSORY



01_014_e

Spare parts

ID	P-code	Model	Type	Accessory	Voltage	Description
MODULE:Multiple group GM2/2						
2600	10704		BW,RO,57,57B			Door microswitch
2605	18043		BW,RO,57,57B			10uF condenser
2610	60105		BW,RO,57,57B			2 speed motor
2615	60106		BW,RO,57,57B			Gear support
2620	60107		BW,RO,57,57B			Female-male gear
2625	60108		BW,RO,57,57B			Blender cone assembly
2630	60109		BW,RO,57,57B			Male gear
2635	60116		BW,RO,57,57B			Knife assembly with axle
2640	60120		BW,RO,57,57B			Blender glass support
2645	60121		BW,RO,57,57B			Drain small pipe fitting
2650	60122		BW,RO,57,57B			Drain small pipe
2655	60125		BW,RO,57,57B			Power supply cable
2660	60126		BW,RO,57,57B			Rubber small foot
2665	60127		BW,RO,57,57B			Blade for ice-crusher
2670	60134		BW,RO,57,57B			Blade holder
2675	60135		BW,RO,57,57B			Ice feeder
2680	60136		BW,RO,57,57B			Perforated rounded small grill
2685	60137		BW,RO,57,57B			Ice holder little tank
2690	60138		BW,RO,57,57B			Glasses holder
2695	60139		BW,RO,57,57B			Triple push button panel
2700	60142		BW,RO,57,57B			Main motor
2705	60156		BW,RO,57,57B			Clutch pulley
2710	60176		BW,RO,57,57B			1,5lt plastic glass with blades
2710	60177		BW,RO,57,57B			3lt stainless steel glass with blades
2720	60178		BW,RO,57,57B			1,5lt plastic glass with cones
2720	60179		BW,RO,57,57B			3lt stainless steel glass with cones
2730	60180		BW,RO,57,57B			Blades assembly with axle
2735	60181		BW,RO,57,57B			Cone assembly with axle
2740	60182		BW,RO,57,57B			Glass plug
2745	60183		BW,RO,57,57B			Glass gasket
2750	60184		BW,RO,57,57B			Glass base
2755	60189		BW,RO,57,57B			Micro axle-holder pipe
2760	60190		BW,RO,57,57B			Axle for micro
2765	60191		BW,RO,57,57B			1,5lt plastic glass
2770	60192		BW,RO,57,57B			Plug for glass cover
2775	60194		BW,RO,57,57B			Micro axle support
2780	60195		BW,RO,57,57B			Bushing support disk
2785	60196		BW,RO,57,57B			Antifriction washer
2790	60197		BW,RO,57,57B			V-ring Ø 6
2795	60202		BW,RO,57,57B			Stainless steel cover
2800	60212		BW,RO,57,57B			Bottom protection
2805	60220		BW,RO,57,57B			End panel
2810	60221		BW,RO,57,57B			Feeder holder
2815	60223		BW,RO,57,57B			Base

Spare parts

ID	P-code	Model	Type	Accessory	Voltage	Description
2820	60224		BW,RO,57,57B			Feeder support
2825	60301		BW,RO,57,57B			3 poles terminal board
2830	60302		BW,RO,57,57B			Ice press handle
2835	60519		BW,RO,57,57B			Low noise filter
2840	60193		BW,RO,57,57B			Plug for micro axle
2845	10770		BW,RO,57,57B			Insulating for door microswitch