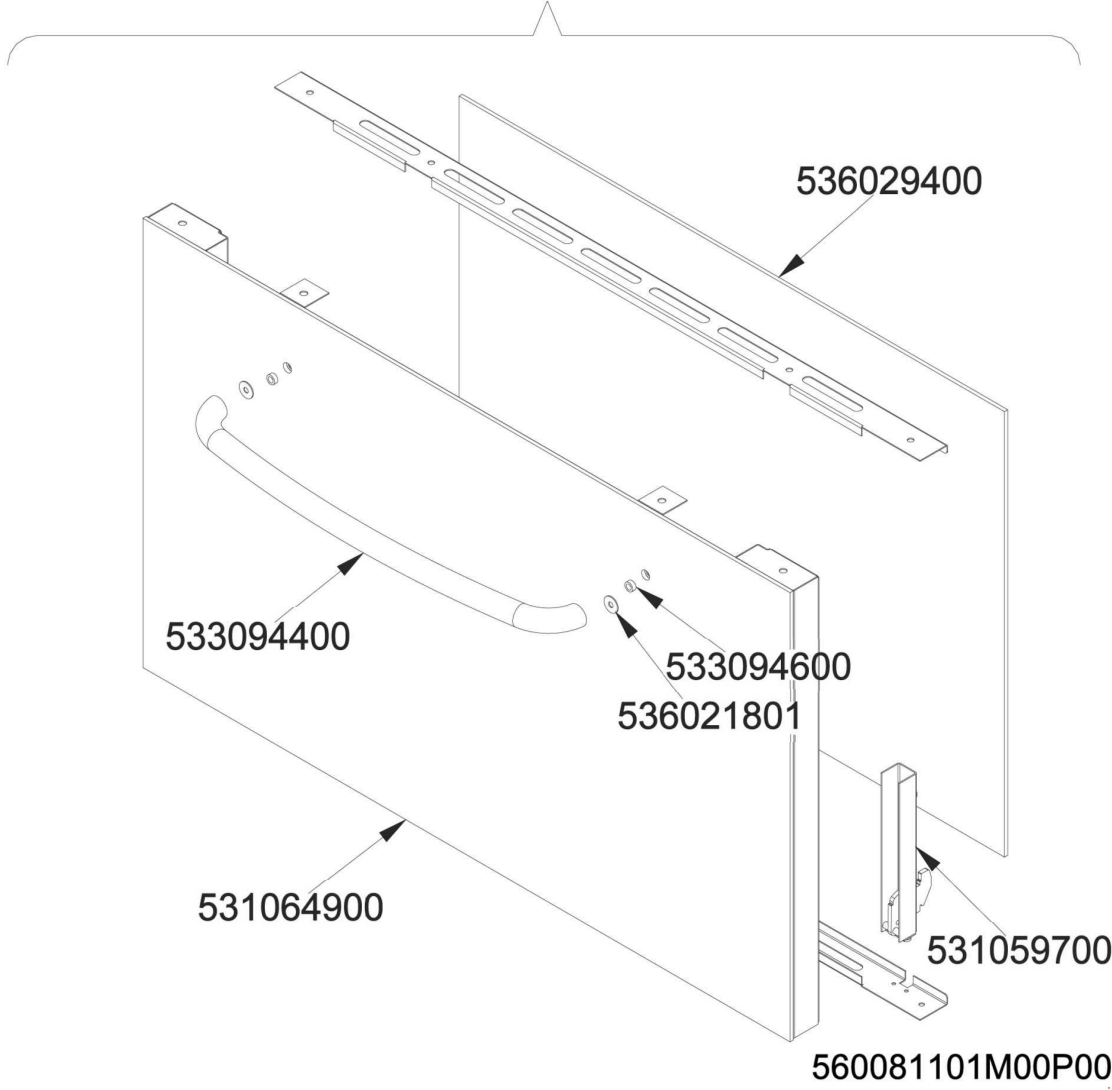
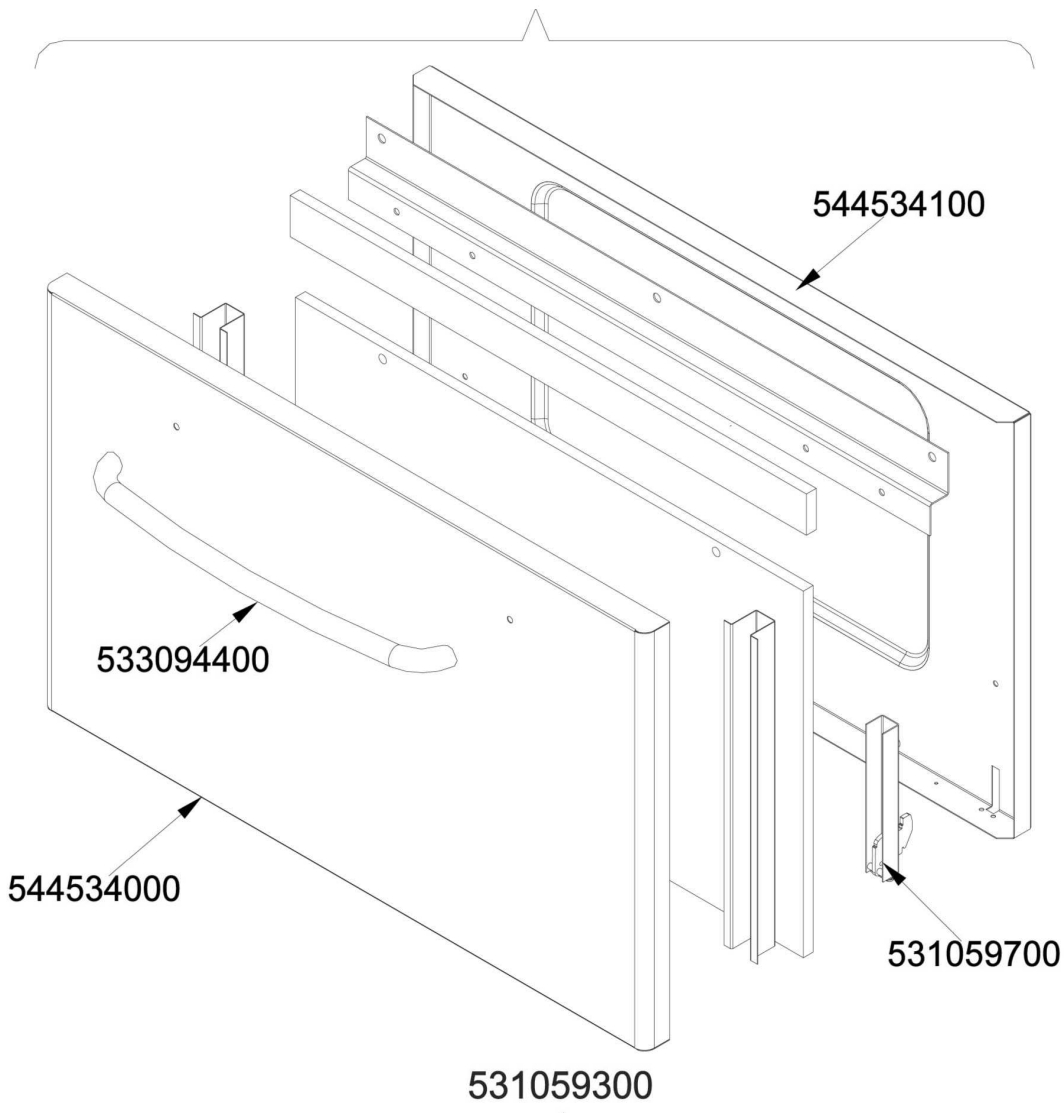
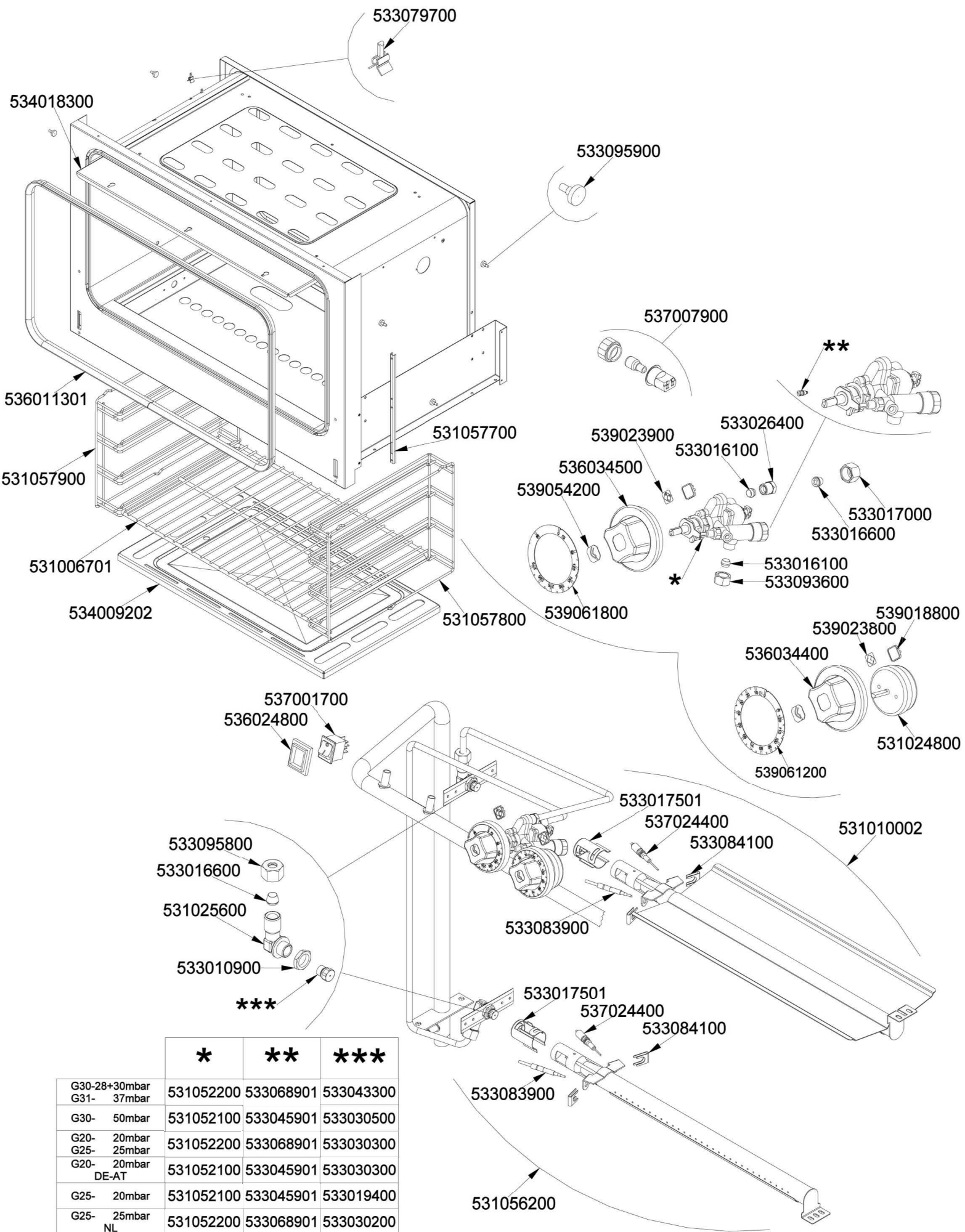


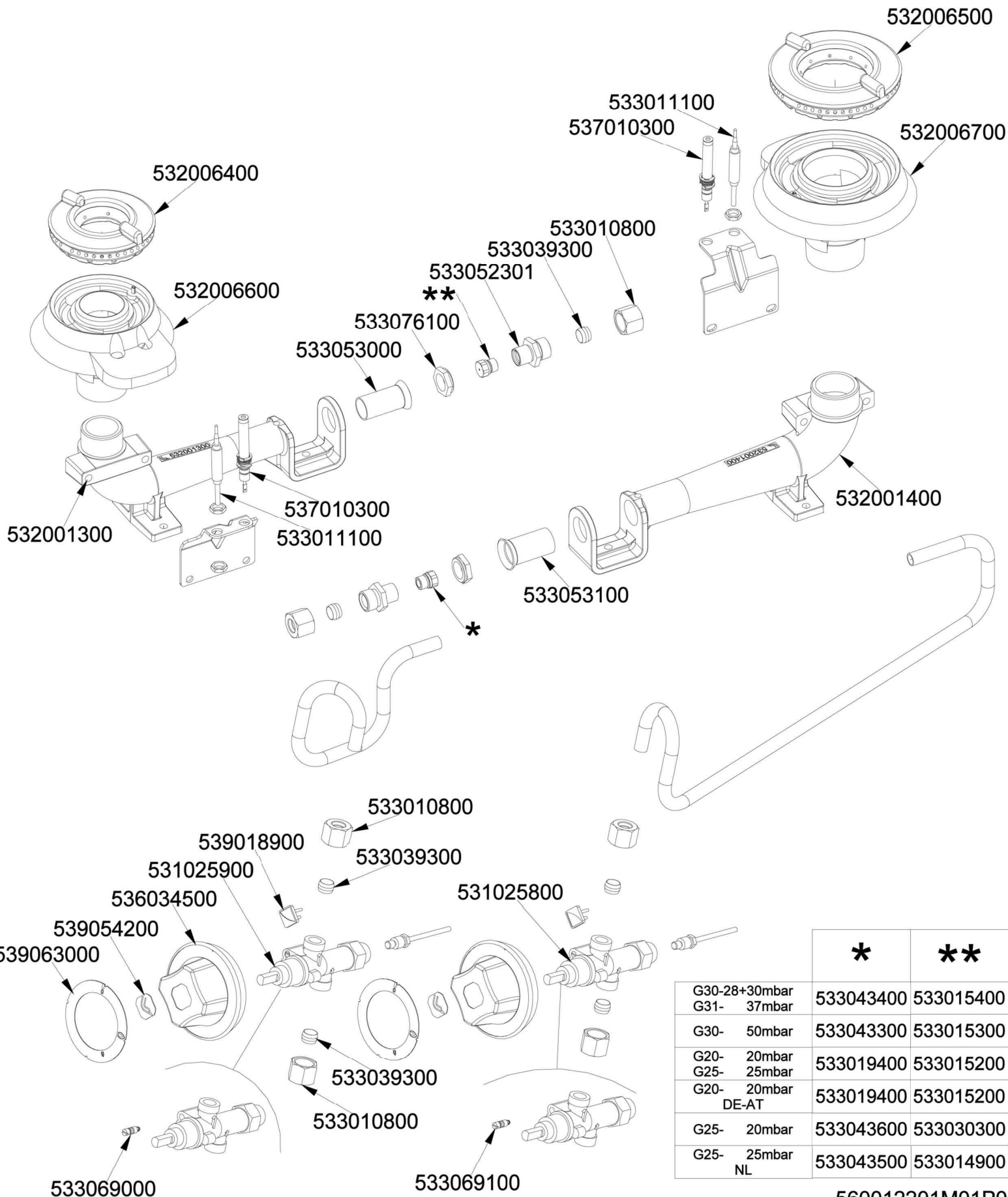
531059201





| | * | ** | *** |
|------------------------------|-----------|-----------|-----------|
| G30-28+30mbar G31- 37mbar | 531052200 | 533068901 | 533043300 |
| G30- 50mbar | 531052100 | 533045901 | 533030500 |
| G20- 20mbar G25- 25mbar | 531052200 | 533068901 | 533030300 |
| G20- 20mbar DE-AT | 531052100 | 533045901 | 533030300 |
| G25- 20mbar | 531052100 | 533045901 | 533019400 |
| G25- 25mbar NL | 531052200 | 533068901 | 533030200 |

560081000M01P00



| | * | ** |
|------------------------------|-----------|-----------|
| G30-28+30mbar G31- 37mbar | 533043400 | 533015400 |
| G30- 50mbar | 533043300 | 533015300 |
| G20- 20mbar G25- 25mbar | 533019400 | 533015200 |
| G20- 20mbar DE-AT | 533019400 | 533015200 |
| G25- 20mbar | 533043600 | 533030300 |
| G25- 25mbar NL | 533043500 | 533014900 |

560012201M01P00

| Page | Pos | Code | Description |
|------|-----|-----------|-------------------------------------|
| 001 | | 532006200 | 2 BURNERS GRID 289X504 60T RAF |
| 001 | | 541198900 | UPPER PLATE CF 6-610G |
| 001 | | 544522000 | BURNER DRIP PAN OF PCT-60 |
| 001 | | 537036500 | TERMINAL BLOCK 4POLES 40A SCREW-SCR |
| 001 | | 537006601 | IGNITION UNIT 4 FLAMES V230 |
| 001 | | 544540300 | |
| 001 | | 541194800 | CONTROL PANEL 607090 CF6-610G |
| 001 | | 537015600 | BIPOLAR SWITCH |
| 001 | | 536024800 | HOOD WITH SWITCH FRAME |
| 001 | | 544562900 | SIDE PANEL OF OVEN DOOR CF 610 |
| 001 | | 544540200 | |
| 001 | | 531048400 | INOX LEG Ø1"3/4 100-165 M10 |
| 002 | | 531059201 | COMPLETE S/S DOOR FOR MAXI 600 OVEN |
| 002 | | 544534100 | INNER DOOR OF MAXI OVEN OF 60T-LINE |
| 002 | | 533094400 | S/S OVEN DOOR HANDLE FOR 60T-LINE |
| 002 | | 544534000 | S/S DOOR FOR MAXI OVEN OF 60T LINE |
| 002 | | 531059700 | DOOR HINGE FOR MAXI OVEN 60.LINE |
| 002 | | 531059300 | OVEN DOOR * S60T 68 GLASS C. |
| 002 | | 536029400 | INTERNAL GLASS OVEN DOOR MAXI |
| 002 | | 533094600 | BUSH P.F. 60-LINE |
| 002 | | 536021801 | DOOR HANDLE SPACER FOR MAXI OVEN |
| 002 | | 531064900 | EXTERNAL GLASS MAXI OVEN DOOR+FRAME |
| 003 | | 534018300 | KNOB PROTECTION FOR MAXI CF 60T |
| 003 | | 533079700 | LOCK SPRING FOR BULB §3/§4 |
| 003 | | 533095900 | PIN FOR GRIDSHOLDER SUPPORT CF 60 |
| 003 | | 536011301 | GASKET FOR MAXI 60T-OVEN L=1980 |
| 003 | | 531057900 | LHD GRIDS HOLDER FOR MAXI-OVEN |
| 003 | | 531006701 | MAXI OVEN GRID FOR S60/65 |
| 003 | | 534009202 | BOTTOM FOR GAS MAXI OVEN FOR 60LINE |
| 003 | | 531057700 | DOOR WHEEL HOLDER F.MAXI OVEN 60T |
| 003 | | 537007900 | OVEN BULB-SOCKET WITH LAMP |
| 003 | | 539023900 | SIGN PLATE FOR OVEN TEMPERATURE |
| 003 | | 533026400 | ELBOW FOR BICONE D.8 M13X1 |
| 003 | | 533016100 | BICONE D.8 |
| 003 | | 533017000 | THREADED FITTING FOR BICONE 8S |
| 003 | | 533016600 | BICONE §8 H.6 SABAF DIS.688 |
| 003 | | 533093600 | BICONE FITTING §8 M13 FEM.SABAF |
| 003 | | 536034500 | KNOB §77 4P. §08*6,5 |
| 003 | | 539054200 | STAMP Ø20,5 CR. "L" LOTUS R. |
| 003 | | 531057800 | RHD GRIDS HOLDER FOR MAXI-OVEN |
| 003 | | 539061800 | ADESIVE DISK FOR GAS OVEN S60 |
| 003 | | 539018800 | BLANK INDEX FOR KNOB |
| 003 | | 539023800 | LABEL FOR OVEN TIMER |
| 003 | | 536034400 | KNOB §77 4P. §06*4,6 C/M |
| 003 | | 531024800 | TIMER 120' - 360° |
| 003 | | 539061200 | ADHESIV.DISK FOR TYMER EL. OVEN |
| 003 | | 537001700 | GREENLIGHTED BIPOLAR SWITCH |
| 003 | | 536024800 | HOOD WITH SWITCH FRAME |
| 003 | | 533095800 | TUBE NUT D.08 M16*1,5 |
| 003 | | 531025600 | ELBOW 90° NOZZLE-HOLDER §10 PIPE |
| 003 | | 533010900 | NUT M14*1 H.4 |

| Page | Pos | Code | Description |
|------|-----|-----------|------------------------------------|
| 003 | | 531056200 | BURNER FOR OVEN CF-8/10G |
| 003 | | 533083900 | THERMOCOUPLE 1000 M8*1 OVEN BURNER |
| 003 | | 533017501 | VENTURI BUSHING FOR OVEN BURNER CF |
| 003 | | 537024400 | IGNITION PLUG FOR OVEN-BURNER |
| 003 | | 533084100 | LOCK SPRING FOR PLUG-THERMOCOUPLE |
| 003 | | 531010002 | GRILL BURNER FOR CF-55/60 |
| 003 | | 531052200 | §50 BY-PASS SAFETY COCK S55 |
| 003 | | 531052100 | §45 BY-PASS SAFETY COCK S55 |
| 003 | | 533068901 | §50 BY-PASS COCK F.OVEN CF60/65/55 |
| 003 | | 533045901 | §45 BY-PASS THERMOSTATIC TAP |
| 003 | | 533043300 | NOZZLE §103 CH12*14 F-PC4 UR |
| 003 | | 533030500 | NOZZLE §90 CH12X14 G30/CE |
| 003 | | 533030300 | NOZZLE §160 CH12*14 M-FPG |
| 003 | | 533019400 | NOZZLE §180 CH12*14 L-FQ5 |
| 003 | | 533030200 | NOZZLE §170 CH12*14 MH-FG L-FP/CW |
| 004 | | 532006400 | QUICKBURNER 2 RING Ø082 3 Z |
| 004 | | 532006600 | BURNER BODY 3,5 KW WITH PLUG |
| 004 | | 532001300 | BURNER VENTURI 3,5 KW |
| 004 | | 533011100 | THERMOCOUPLE 750 M8*1 |
| 004 | | 537010300 | IGNITION PLUG WITH SPRING PC65 |
| 004 | | 533053000 | AIR ADJUSTMENT BUSHING §18 |
| 004 | | 533076100 | HEXAGONAL NUT M14X1 H4 + BUSHING |
| 004 | | 533052301 | JOINT FOR NOZZLE HOLDER |
| 004 | | 533039300 | BICONE §10 |
| 004 | | 533010800 | TUBE NUT D.10 M16*1,5 |
| 004 | | 532006500 | QUICKBURNER 2 RING Ø102 3 Z |
| 004 | | 532006700 | BURNER BODY 5,5 KW WITH PLUG |
| 004 | | 532001400 | BURNER VENTURI 5,5 KW |
| 004 | | 533053100 | AIR ADJUSTMENT BUSHING §20 |
| 004 | | 539063000 | RED STICKING DISK 72 |
| 004 | | 539054200 | STAMP Ø20,5 CR."L" LOTUS R. |
| 004 | | 536034500 | KNOB §77 4P. §08*6,5 |
| 004 | | 531025900 | SAFETY TAP 20S-B PEL20S21070 |
| 004 | | 539018900 | INDEX FOR KNOB W/RED SIGN |
| 004 | | 531025800 | SAFETY TAP 20S-B PEL20S2160 |
| 004 | | 533069100 | BY PASS COCK §60 20S |
| 004 | | 533069000 | BY PASS COCK §70 20S-21S |
| 004 | | 533043400 | NOZZLE §117 CH12*14 G-PC4 UR |
| 004 | | 533043300 | NOZZLE §103 CH12*14 F-PC4 UR |
| 004 | | 533019400 | NOZZLE §180 CH12*14 L-FQ5 |
| 004 | | 533043600 | NOZZLE §200 CH12*14 L-PC4 UR |
| 004 | | 533043500 | NOZZLE §190 CH12*14 G25 PC4R |
| 004 | | 533015400 | NOZZLE §93 CH12*14 G-PC4 R |
| 004 | | 533015300 | NOZZLE §82 CH12*14 F-PC4 R |
| 004 | | 533015200 | NOZZLE §145 CH12*14 F-FP/CP6 |
| 004 | | 533030300 | NOZZLE §160 CH12*14 M-FPG |
| 004 | | 533014900 | NOZZLE §150 CH12*14 F-FQ5 L-FQ6 |