



## **Scherbeneisbereiter, Luftk., 620 kg/24 h, ohne Speicher**

Artikel-Nr.  
711089 (MUSTER600A)

---

### **Explosionszeichnung / Ersatzteile**

---

Bitte bei Ersatzteilbestellung immer Artikelnummer und  
Seriennummer mit angeben!



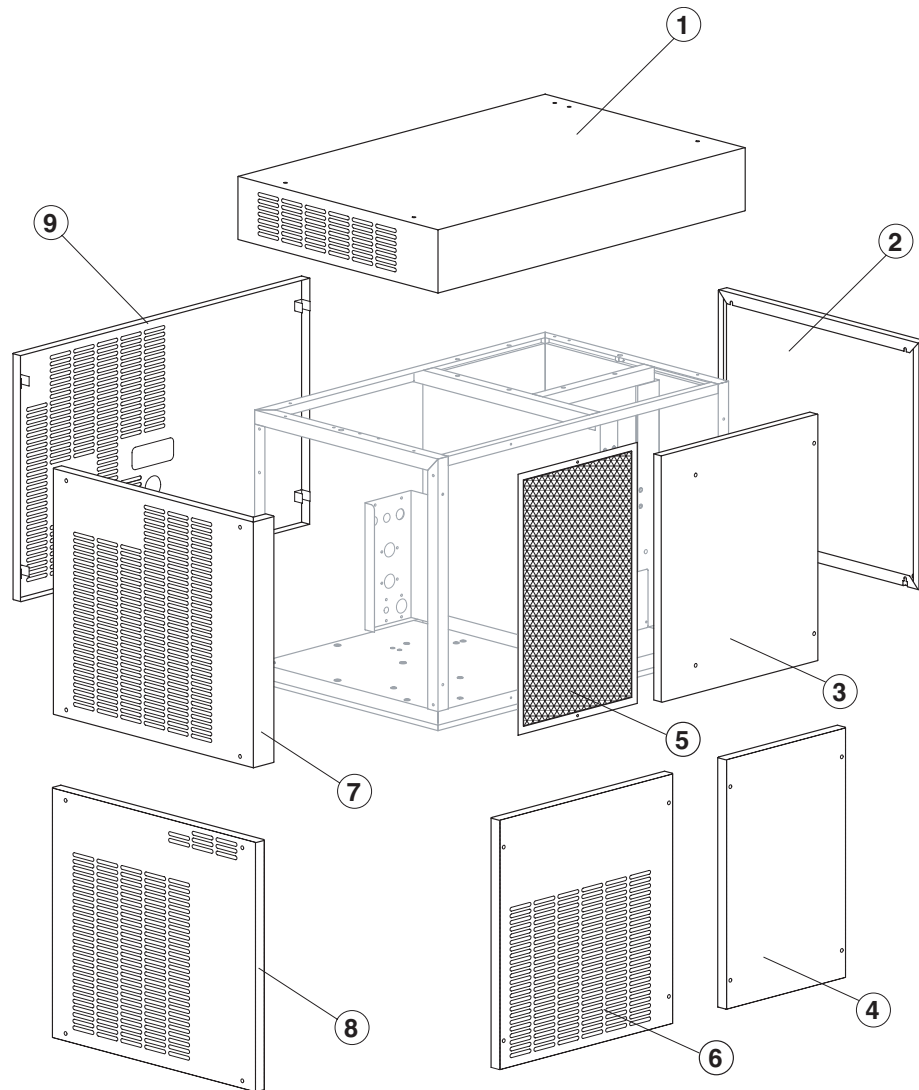
*SHELL ASSY*

*COOLING SYSTEM*

*EVAPORATOR*

*PUMP*

*ELECTRIC PARTS*



Rev. 8 - 28/05/2018

### Common Parts

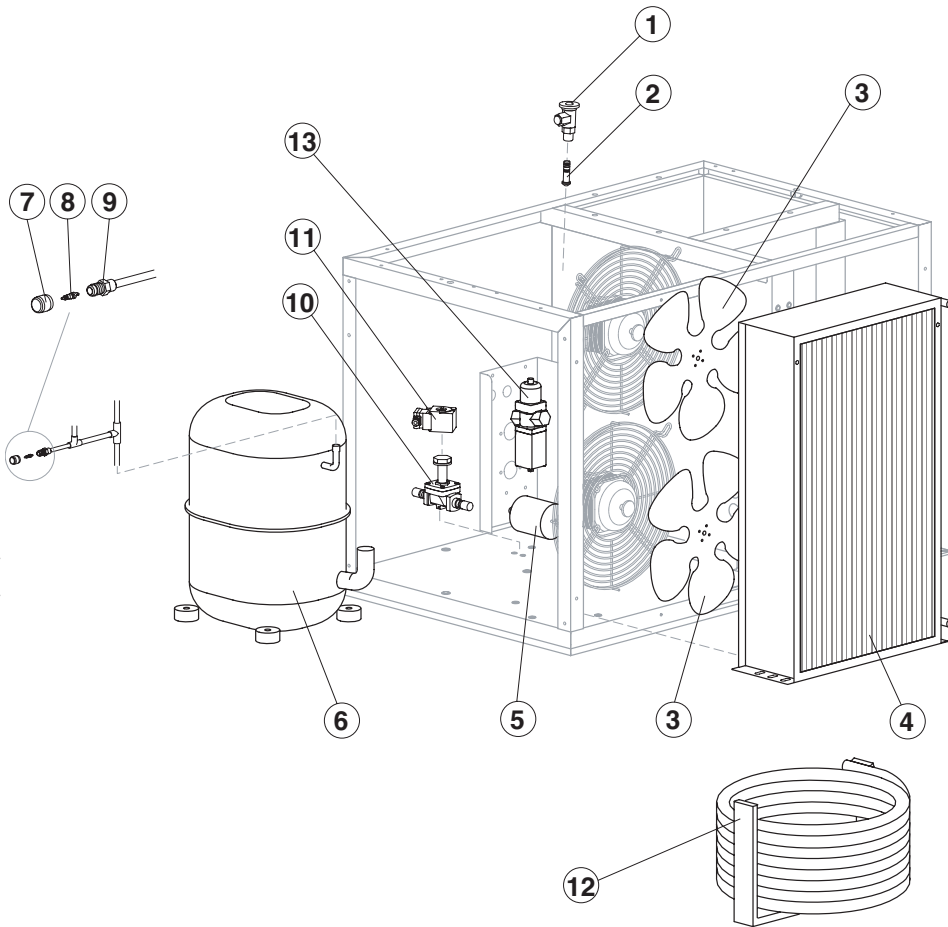
Ref.	Spare Description	Code
1	Top Assembly	C22422
2	Right Side Panel	22425
9	Rear Panel	22427

### Parts for Air-Cooled Version Only

Ref.	Spare Description	Code
3	Front Panel(Evaporator Side)	221031
5*	Filter	18200
7	Left Side Panel	221032

### Parts for Water-Cooled Version Only

Ref.	Spare Description	Code
4	Front Panel (Evaporator Side)	22424
6	Front Panel (Group Side)	C22423
8	Left Side Panel	22426



Ref.	Spare Description	Code
1	Expansion Valve	20734
2	Orifice	Current Version 20943
2	Orifice	Till s/n. 471184 20797
5*	Solid Core Drier	14084
6	Compressor	See Table
7*	Vacuum-Charge Valve Plug	14006
8*	Vacuum-Charge Valve Device	14005
9	Vacuum-Charge Valve Body	14007
10*	Hot Gas Valve Body	20409
11*	Hot Gas Valve Coil	231294

### Parts for Air-Cooled Version Only

Ref.	Spare Description	Code
3	Sucking Fan	20153
4	Air Condenser	20406

### Parts for Water-Cooled Version Only

Ref.	Spare Description	Code
12	Water Condenser	14617
13	Pressostatic Valve	20149

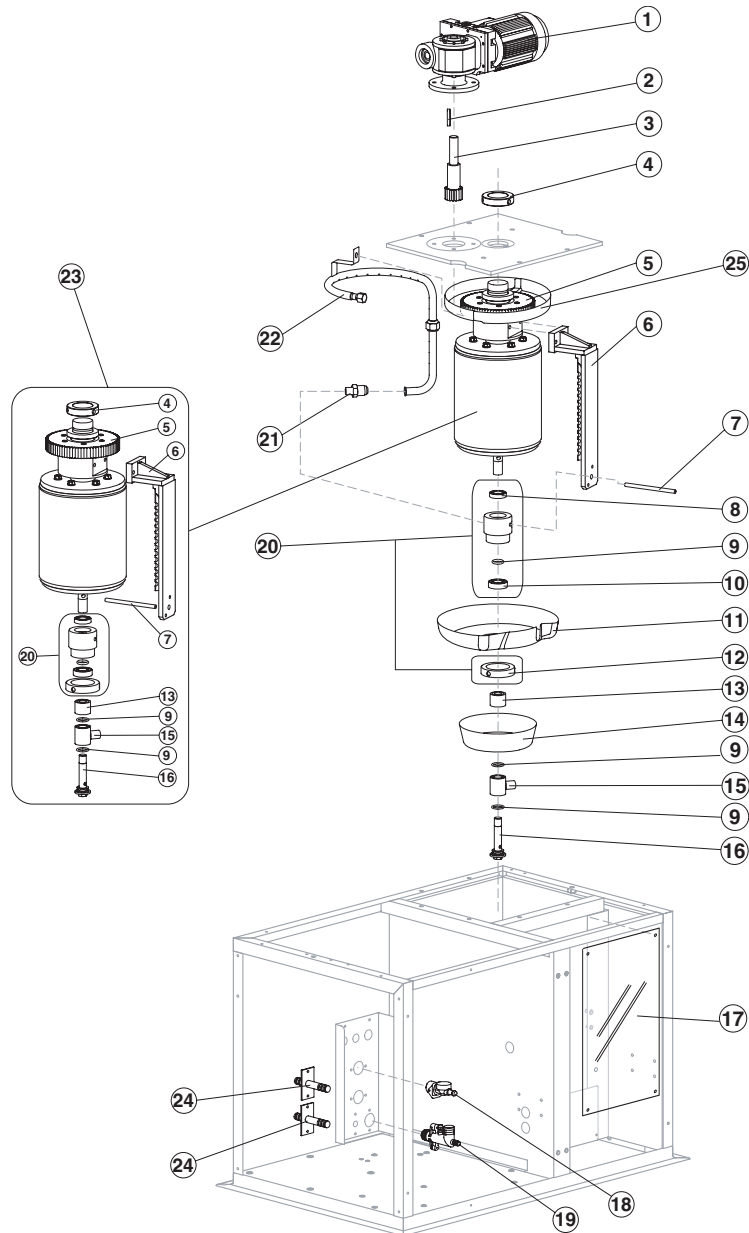
### Ref. 6 - Compressor

Voltage	Code	
T15-T17	231183	current version
T15	23583	till s/n. 785150
T16	231185	current version
T16	23618	till s/n. 785150



# MUSTER 600

# EVAPORATOR

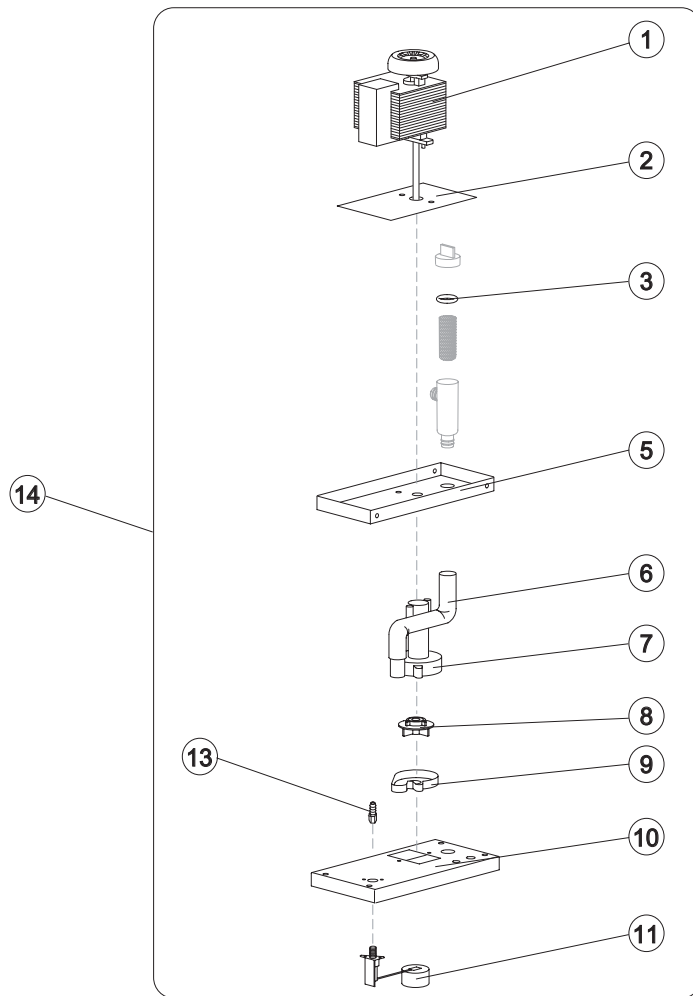


Ref.	Spare Description	Code	
1	Gearmotor Assy	C23412	
2	Key 6x6x40	20350	
3	Pinion with Shaft for Gearmotor	C20344	
4	Cylinder Locking Ring Nut	20324	
5	Ring Gear	20354	
6	Scraper	20866	
7	Tie Rod (to Block Scraper)	20865	
8	Stainless Steel Bearing	20531	
9	Silicone OR 4081 Gasket	20338	
10	Stainless Steel Bearing	20045	
11	Rotating Basin	10184	
12	Ring Nut for Rotating Ring	10182	
13	Spacer	10519	
14	Fixed Basin	C10598	
15	Water Inlet Ring	20851	
16	Screw	20849	
17	Evaporator Chamber Shield	10522	
18	1 Way- Water Inlet Nipple	10239	
19	Discharges Manifold	10580	
20	Complete Rotating Ring	C10180	
21	Joint	20335	
22	Sprayer Ring	C20867	
23	Evaporator	C11149	
25	Ring Gear Cover	From s/n. 555325	C10629

### Parts for Water-Cooled Version Only

Ref.	Spare Description	Code
24	Connection with Plate	C20462

Rev. 8 - 28/05/2018



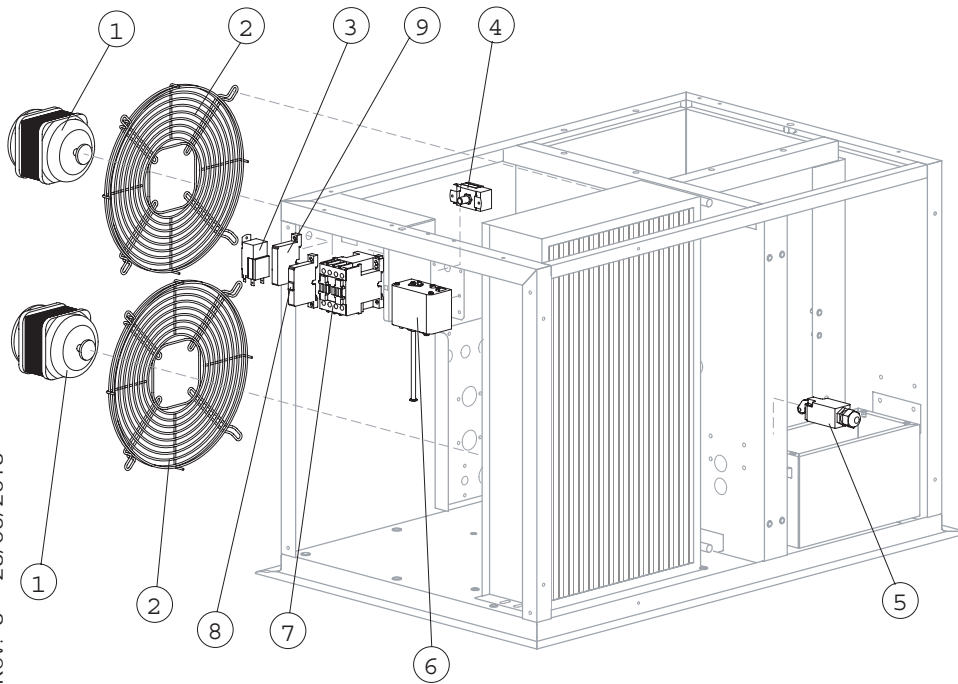
Ref.	Spare Description	Code
1	Pump Motor	See Table
2	Heat Dissipator	22430
3	Pump Filter Gasket	13080
5	Pump Motor Support	10161
6	Pump-Filter Connection Pipe	13084
7	Pump Body	10065
8	Pump Impeller	10190
9	Diffusor	10067
10	Water Pump Basin Cover	22420
11*	Floating Valve	10188
13	Connection	20799
14*	Pump and Filter Assy	See Table

### Ref. 1 - Pump Motor

Voltage	Code
T15	23073
T16	23187
T17	23187

### Ref. 14\* - Pump and Filter Assy

Voltage	Code
T15	C26736
T16	C26737
T17	C26737



Ref.	Spare Description	Code
3*	Bin Thermostat	R23005
4	Safety Pressure Switch (Maximum Pressure)	23342
5	Microswitch for Overflow Ice	23746
6	Pressure Switch (Minimum Pressure)	23763
7*	Contactor	See Table
8	Thermomagnetic circuit breaker	23910
9	Electronic Delay Timer	From s/n. 515699 231033

### Parts for Air-Cooled Version Only

Ref.	Spare Description	Code
1*	Fan Motor	23121
2	Fan Motor Grid	12054

### Ref. 7\* - Contactor

Voltage	Code
T15	23147
T16	23963
T17	23147