

www.atasrl.com

Modello
Macchina
Stanza
Modello

AF 610 - 780

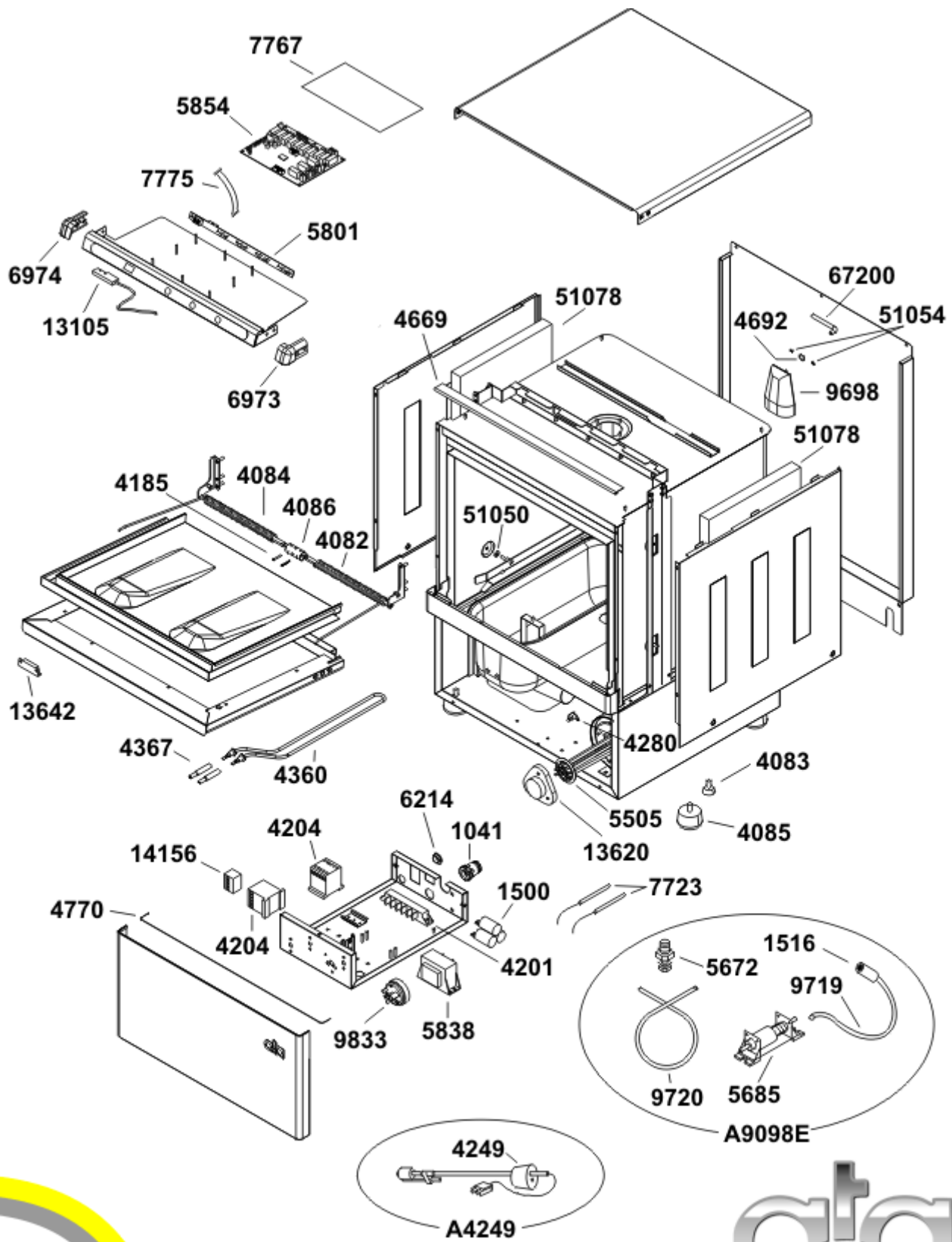
Dis. n° EM.AF.057

Data: 01/01/12



Professional dishwashers

A.T.A. S.R.L. 35026 CONSELVE (PD) ITALY VIALE DEL PROGRESSO 20 - Z. I. PHONE 049/9500555 (4 LINEE R.A.) FAX 049/9500560



www.atasrl.com

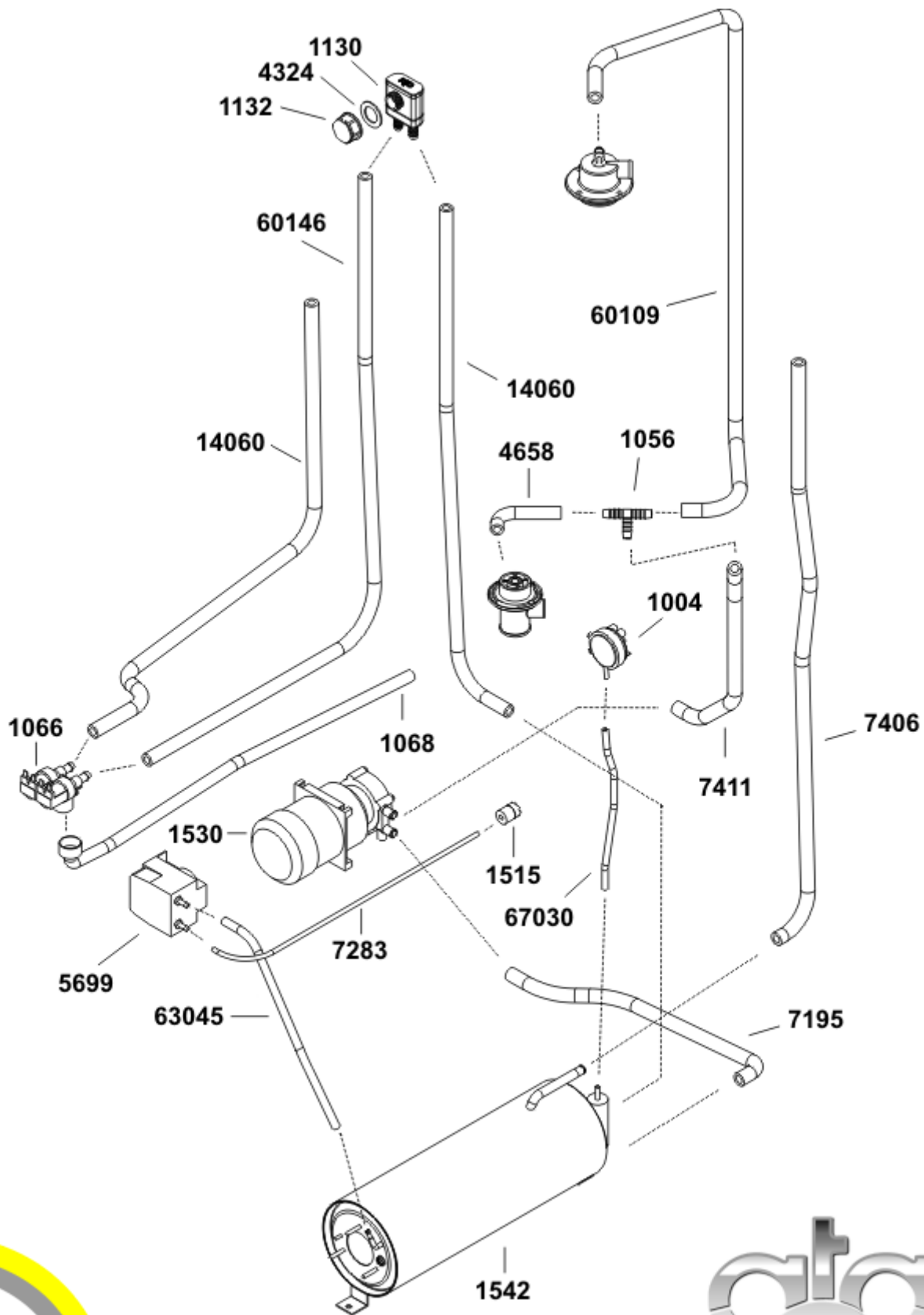
Modello
Model
Model
Model

AF 780 + PRP Dis. n° EE.AF.108 Data: 01/01/14



Professional dishwashers

A.T.A. S.R.L. 35026 CONSELVE (PD) ITALY VIALE DEL PROGRESSO 20 - Z. I. PHONE 049/9500555 (4 LINEE R.A.) FAX 049/9500560

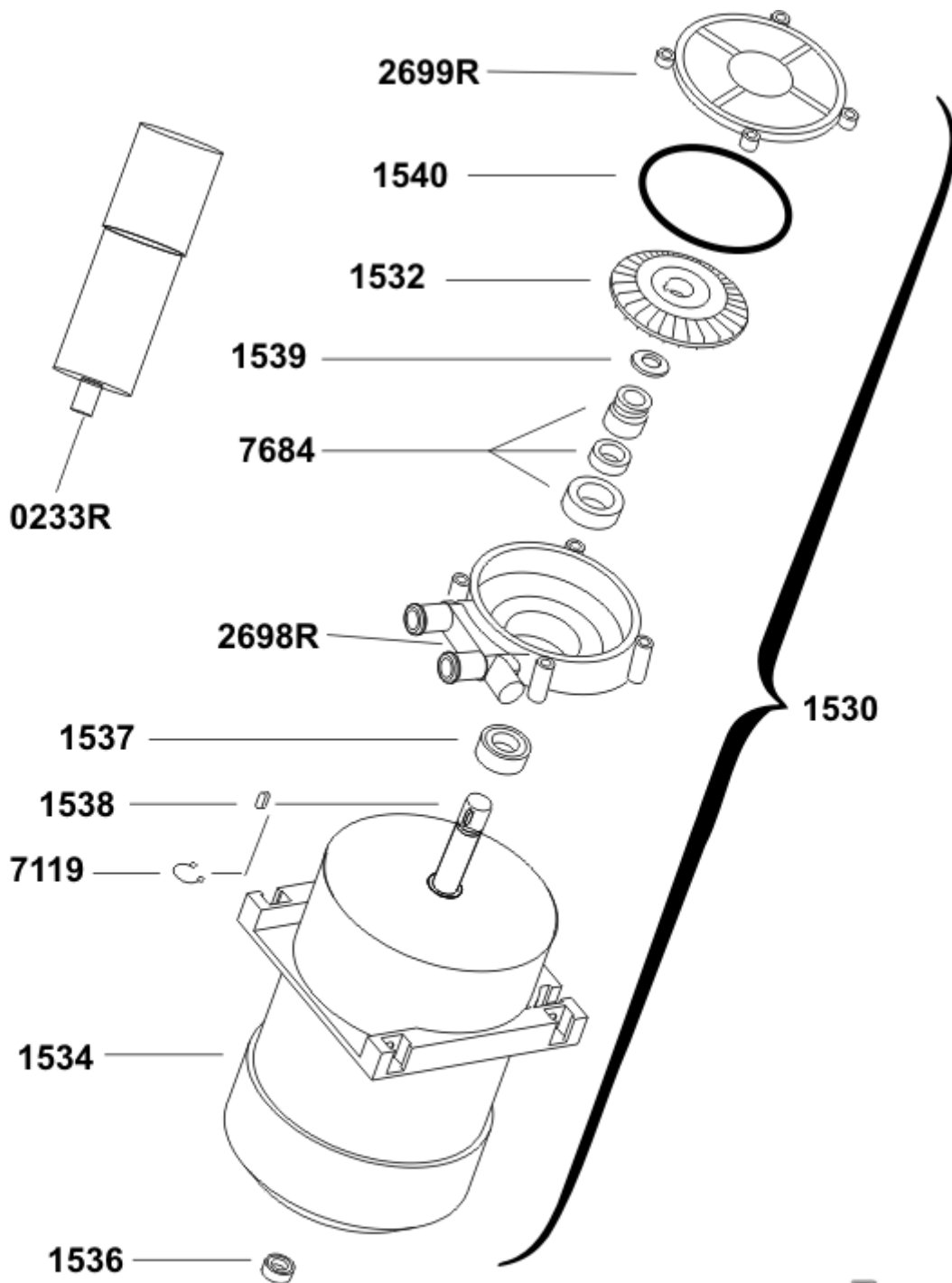


www.atasrl.com

Modello **AF 610 - 780 + PRP** Dis. n° EI.AF.106 Data: 01/01/14



A.T.A. S.R.L. 35026 CONSELVE (PD) ITALY VIALE DEL PROGRESSO 20 - Z. I. PHONE 049/9500555 (4 LINEE R.A.) FAX 049/9500560



www.atasrl.com

Modello
Modello
Modello
Modello

Pompa aum.pressione

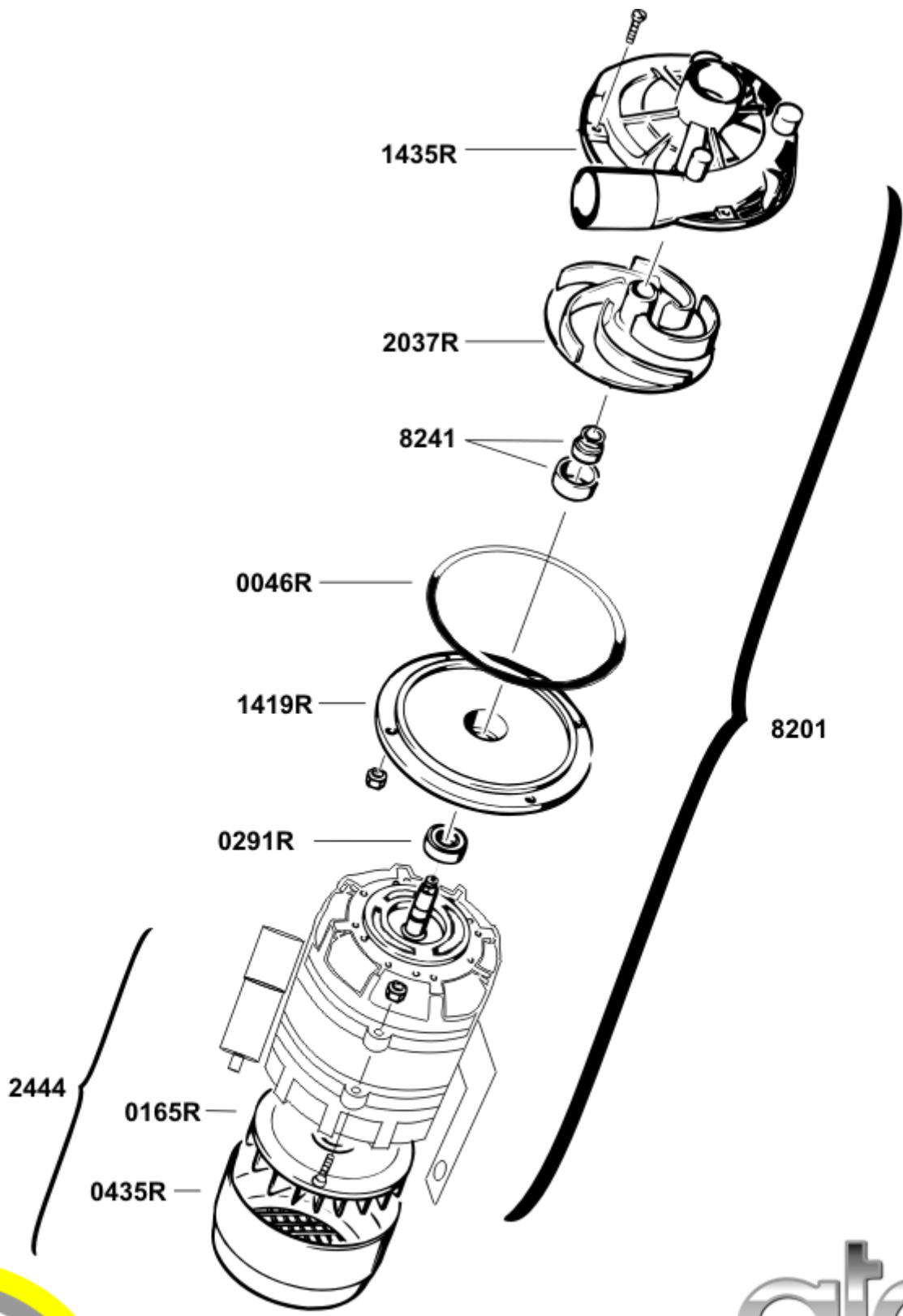
Dis. n° EE.P.027

Data: 01/10/10



Professional dishwashers

A.T.A. S.R.L. 35026 CONSELVE (PD) ITALY VIALE DEL PROGRESSO 20 - Z. I. PHONE 049/9500555 (4 LINEE R.A.) FAX 049/9500560



www.atasrl.com

ELETTROPOMPA
0,62 kW

Modello
Modello
Modello
Modello

Dis. n° EE.P.034

Data: 01/10/10



Professional dishwashers

A.T.A. S.R.L. 35026 CONSELVE (PD) ITALY VIALE DEL PROGRESSO 20 - Z. I. PHONE 049/9500555 (4 LINEE R.A.) FAX 049/9500560