

GTF77

GTF77

CATALOGO PARTI DI RICAMBIO
CATALOGUE PIECES DETACHEES
ERSATZTEILKATALOG
SPARE PARTS CATALOGUE





**Catalogo parti di ricambio valido
dalla matricola 0000001 (31.10.2006) ad oggi (09.01.2017)**

**Catalogue pieces detachees
valable à partir du numero de Série n. 0000001 (31.10.2006) jusqu'à aujourd'hui
(09.01.2017)**

**Ersatzteilkatalog
gültig ab Serien-Nr. 0000001 (31.10.2006) bis heute (09.01.2017)**

**Spare parts catalogue
valid from serial no. 0000001 (31.10.2006) up today (09.01.2017)**

**Catálogo de peças de reposição
válido do número de série 0000001 (31.10.2006) até hoje (09.01.2017)**

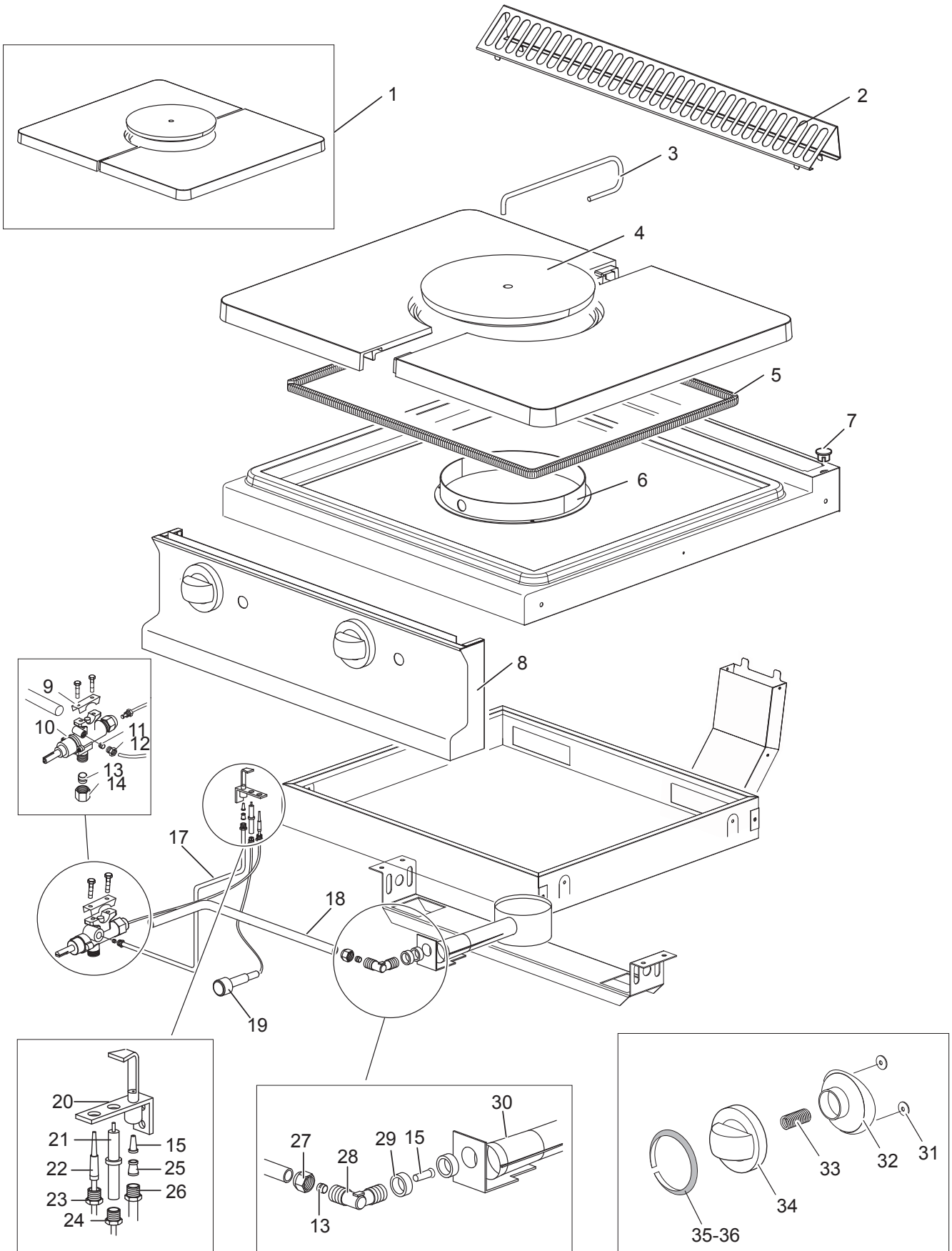
Le informazioni sono considerate non vincolanti. Le immagini rappresentate sono puramente indicative. Il produttore si riserva il diritto di apportare modifiche in qualsiasi momento senza preavviso.

Les informations données ne sont pas contraignantes. Les images montrées sont à titre indicatif. Le producteur se réserve le droit d'apporter des modifications sans préavis.

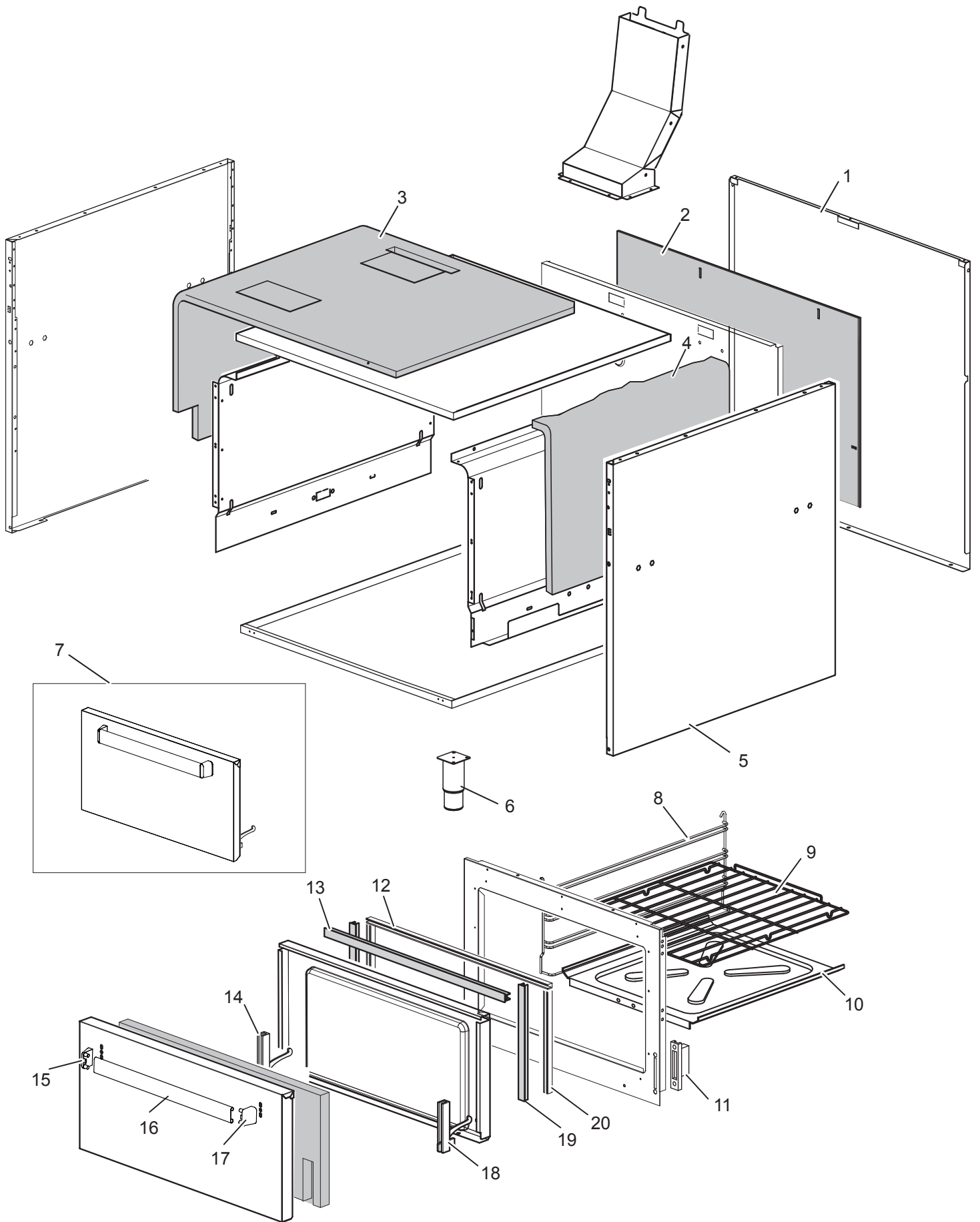
Die im vorliegenden Dokument aufgeführten Informationen und Bilder sind unverbindlich. Der Hersteller behält sich das Recht vor, jederzeit ohne vorherige Ankündigung Änderungen vorzunehmen

Info and drawing could be slightly different from reality and they cannot be considered as compelling. Manufacturer can modify info anytime without forewarning.

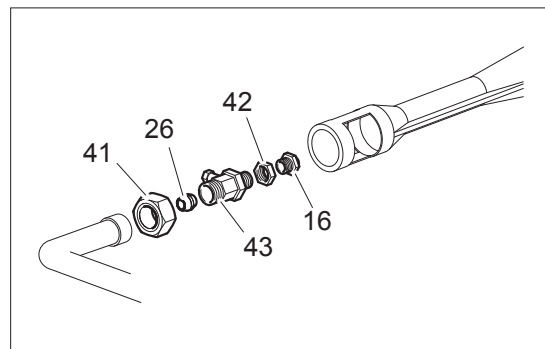
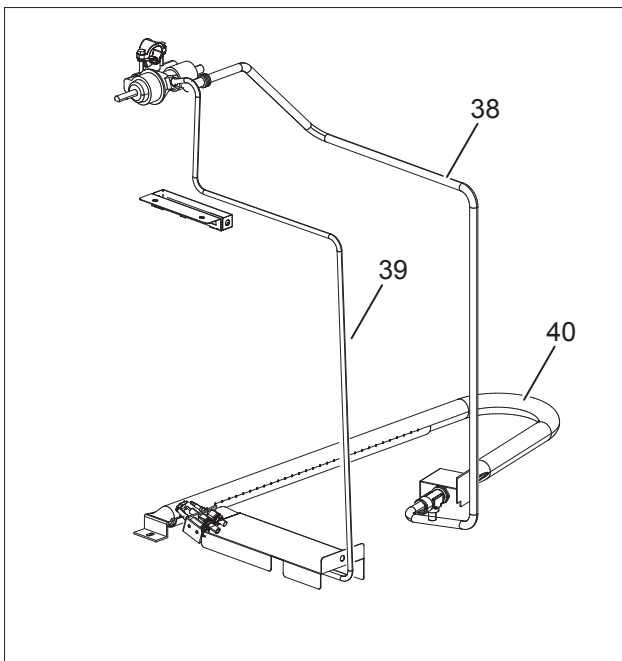
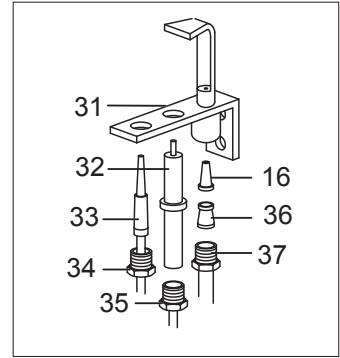
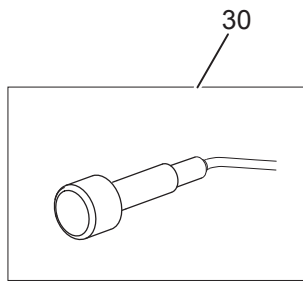
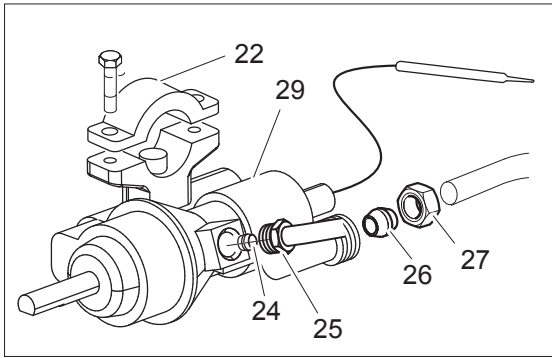
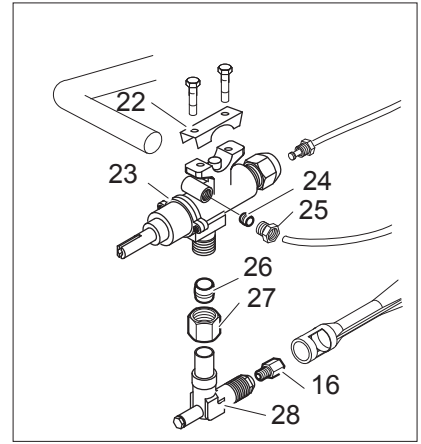
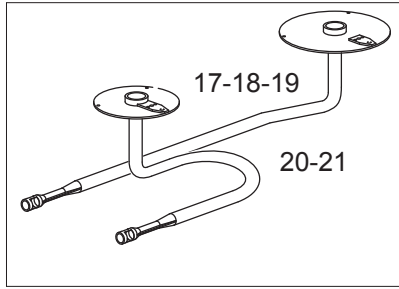
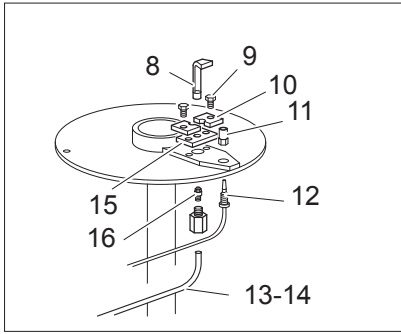
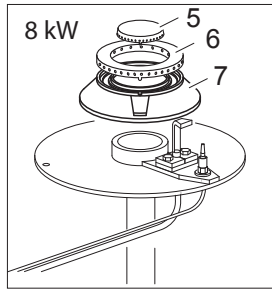
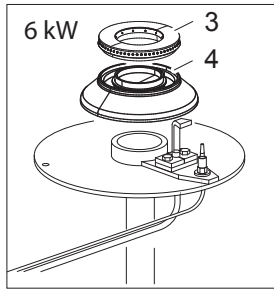
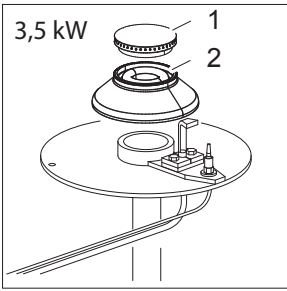
As Informações e desenhos podem estar um pouco diferente da realidade e são puramente indicativas. O fabricante pode modificar estas informações a qualquer momento sem aviso prévio.



| Nr. | Code | Title | Recommended |
|------------|-------------|--|--------------------|
| 1. | RTCU700288 | WORK PLANE | N |
| 2. | 184977 | GRILLE POUR CHEMINÉE | |
| 3. | RTCU900030 | FER MANOEUVRE GT7/GF99 | N |
| 4. | RIC0002358 | *DISQUE CENTR.GT99 | N |
| 5. | 163292 | ISOL.TRESSE CHAMBRE COMB.GFT117 | N |
| 6. | 168880 | CONVOYEUR CHALEUR | N |
| 7. | 163603 | BOUCHON FIX.PLAQUE DOMINA | N |
| 8. | 180324 | CONTROL PANEL | N |
| 9. | 167184 | SAFETY VALVE BRIDLE | S |
| 10. | 167997 | GAS TAP G4S77 | S |
| 11. | RTCU900018 | BICONE D.6 PEL0905 | S |
| 12. | RTCU900019 | ECROU D.6 PEL0903/1 | S |
| 15. | INIETTORE | SEE HANDBOOK NOZZLES | N |
| 17. | 173422 | BURNER PILOT PIPE | N |
| 18. | 173421 | TUBE DE DISTRIBUTION BRÛLEUR | N |
| 19. | RIC0004096 | PIEZO UNIT | S |
| 20. | RTCP800034 | CORPS PILOTE G100 0140026 | S |
| 21. | RTCP800033 | BOUGIE D'ALLUMAGE RONDE G100 CAST0772183 | S |
| 22. | RTCU900474 | THERMOCOUPLE 75 0290087/TARGET | S |
| 23. | RTCP800038 | RACCORD T/C.PIL.GC47 0974036 | S |
| 24. | RTCU900215 | RACCORD CAND.TUYAU DE VIDANGE ST.0974037 | S |
| 25. | RTCU800183 | BICONE D.6 G4SF 0957010 | S |
| 26. | RTCU800182 | ECROU ALL.D.6 G4SF 0958047 | S |
| 28. | RTCU700001 | SUPPORT INJECTEUR FOUR C4F70 | N |
| 29. | RTCU900005 | CONTRE-ECROU SUPP.INJEXT.PLAQUE | N |
| 30. | GACU700131 | BRUL.PLAQUE CUISSON GT7 | N |
| 31. | 176318 | ELASTIC METAL CLIP -WASHER DIAM 4 MM | S |
| 32. | 171439 | GAS VALVE KNOB HOUSING G4S11 | S |
| 34. | 171437 | GAS VALVE KNOB BODY G4S77 SILVER | S |
| 35. | 174332 | GAS VALVE KNOB LABEL G2S11 | S |
| 36. | 174322 | OVEN RING | S |



| Nr. | Code | Title | Recommended |
|------------|-------------|--|--------------------|
| 1. | 167252 | <i>BACK SIDE</i> | N |
| 2. | 167386 | <i>PANNEAU ISOLANT</i> | N |
| 3. | 166251 | <i>PANNEAU ISOLANT</i> | N |
| 4. | 166252 | <i>PANNEAU ISOLANT</i> | N |
| 5. | 173523 | <i>LATERAL SIDE</i> | N |
| 6. | RTCU700277 | <i>PIED+BOUCHON S.G4SF7/145</i> | N |
| 7. | RIC0004732 | <i>PORTE DU FOUR COMPLET</i> | N |
| 8. | 167223 | <i>GRILLE LATERALE</i> | N |
| 9. | RTCU700341 | <i>GRILLE F.G4SF7</i> | N |
| 10. | 167218 | <i>OVEN PLATE</i> | N |
| 11. | RTCU900004 | <i>PORTE-ROULEAU CHARN.F.4GIPR000159</i> | S |
| 12. | 184110 | <i>SUPPORT DE JOINT</i> | |
| 13. | 164738 | <i>JOINT SUP.F.G4SF7</i> | S |
| 14. | RTCU900027 | <i>CHARNIERE P.F.GAUCHE G4SF7 45010952</i> | S |
| 16. | 160738 | <i>HANDLE 01460020 EX 35125</i> | N |
| 18. | RTCU900026 | <i>CHARNIERE P.F.DROITE G4SF7 45010951</i> | S |
| 19. | 163888 | <i>JOINT LAT.F.G4SF9</i> | S |
| 20. | 184105 | <i>SUPPORT DE JOINT</i> | |



| Nr. | Code | Title | Recommended |
|------------|-------------|--|--------------------|
| 16. | INIETTORE | SEE HANDBOOK NOZZLES | N |
| 22. | 167184 | SAFETY VALVE BRIDLE | S |
| 24. | RTCU900018 | BICONE D.6 PEL0905 | S |
| 25. | RTCU900019 | ECROU D.6 PEL0903/1 | S |
| 29. | RIC0004862 | THERMOSTAT GAZ | |
| 30. | RIC0004096 | PIEZO UNIT | S |
| 31. | RTCP800034 | CORPS PILOTE G100 0140026 | S |
| 32. | RTCP800033 | BOUGIE D'ALLUMAGE RONDE G100 CAST0772183 | S |
| 33. | RTCU900061 | THERMOCOUPLE 120 0290091/TARGET | S |
| 34. | RTCP800038 | RACCORD T/C.PIL.GC47 0974036 | S |
| 35. | RTCU900215 | RACCORD CAND.TUYAU DE VIDANGE ST.0974037 | S |
| 36. | RTCU800183 | BICONE D.6 G4SF 0957010 | S |
| 37. | RTCU800182 | ECROU ALL.D.6 G4SF 0958047 | S |
| 38. | 173388 | FEEDING PIPE FOR OVEN BURNER | N |
| 39. | 173389 | TUBE VEILLEUSE DU FOUR | N |
| 40. | 167224 | OVEN BURNER | S |
| 42. | RTCU900005 | CONTRE-ECROU SUPP.INJEXT.PLAQUE | N |
| 43. | 162697 | SUPPORT INJECT.F.G4SF9 | N |