



Gas-Kochkessel, indirekte Hitze, 50 l

Artikel-Nr.
136213 (CXG50I77 / 700)

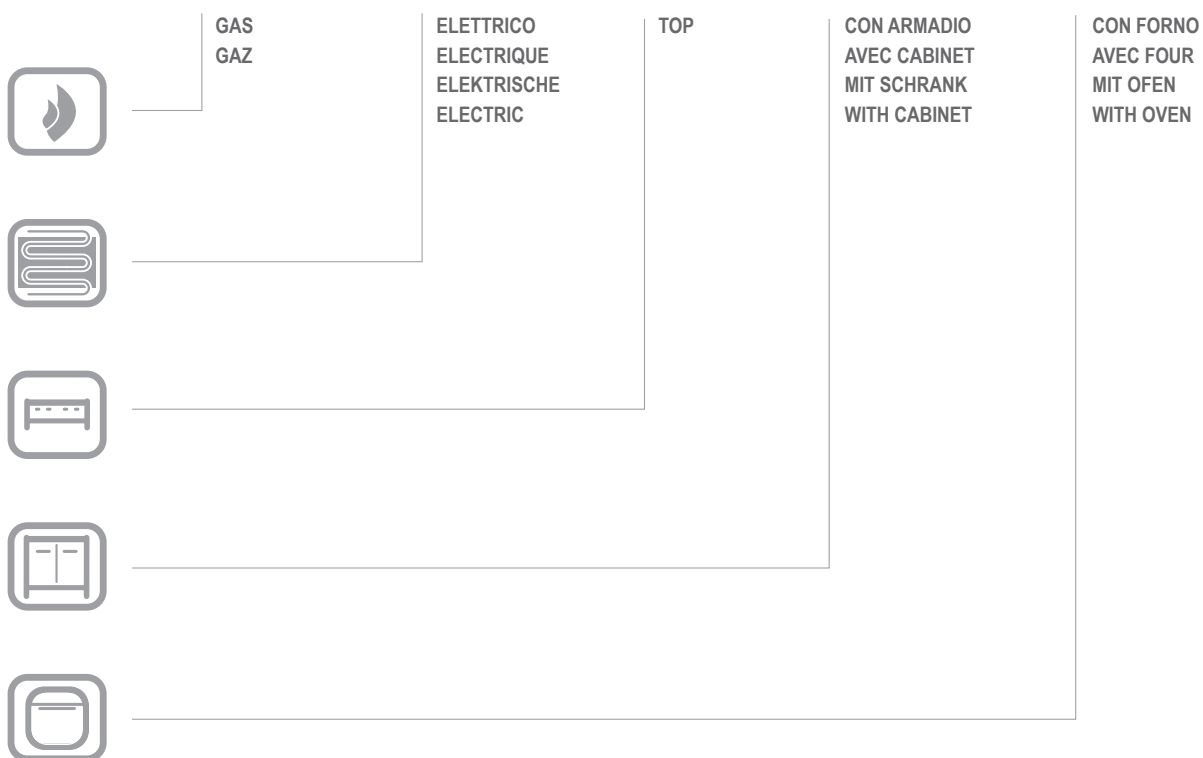
Explosionszeichnung / Ersatzteile

Bitte bei Ersatzteilbestellung immer Artikelnummer und
Seriennummer mit angeben!

CXG50I77

G50I77

CATALOGO PARTI DI RICAMBIO
CATALOGUE PIECES DETACHEES
ERSATZTEILKATALOG
SPARE PARTS CATALOGUE



Catalogo parti di ricambio valido
dalla matricola 0000001 (01.10.2013) ad oggi (11.09.2017)

Catalogue pieces detachees
valable à partir du numero de Série n. 0000001 (01.10.2013) jusqu'à aujourd'hui (11.09.2017)

Ersatzteilkatalog
gültig ab Serien-Nr. 0000001 (01.10.2013) bis heute (11.09.2017)

Spare parts catalogue
valid from serial no. 0000001 (01.10.2013) up today (11.09.2017)

Catálogo de peças de reposição
válido do número de série 0000001 (01.10.2013) até hoje (11.09.2017)

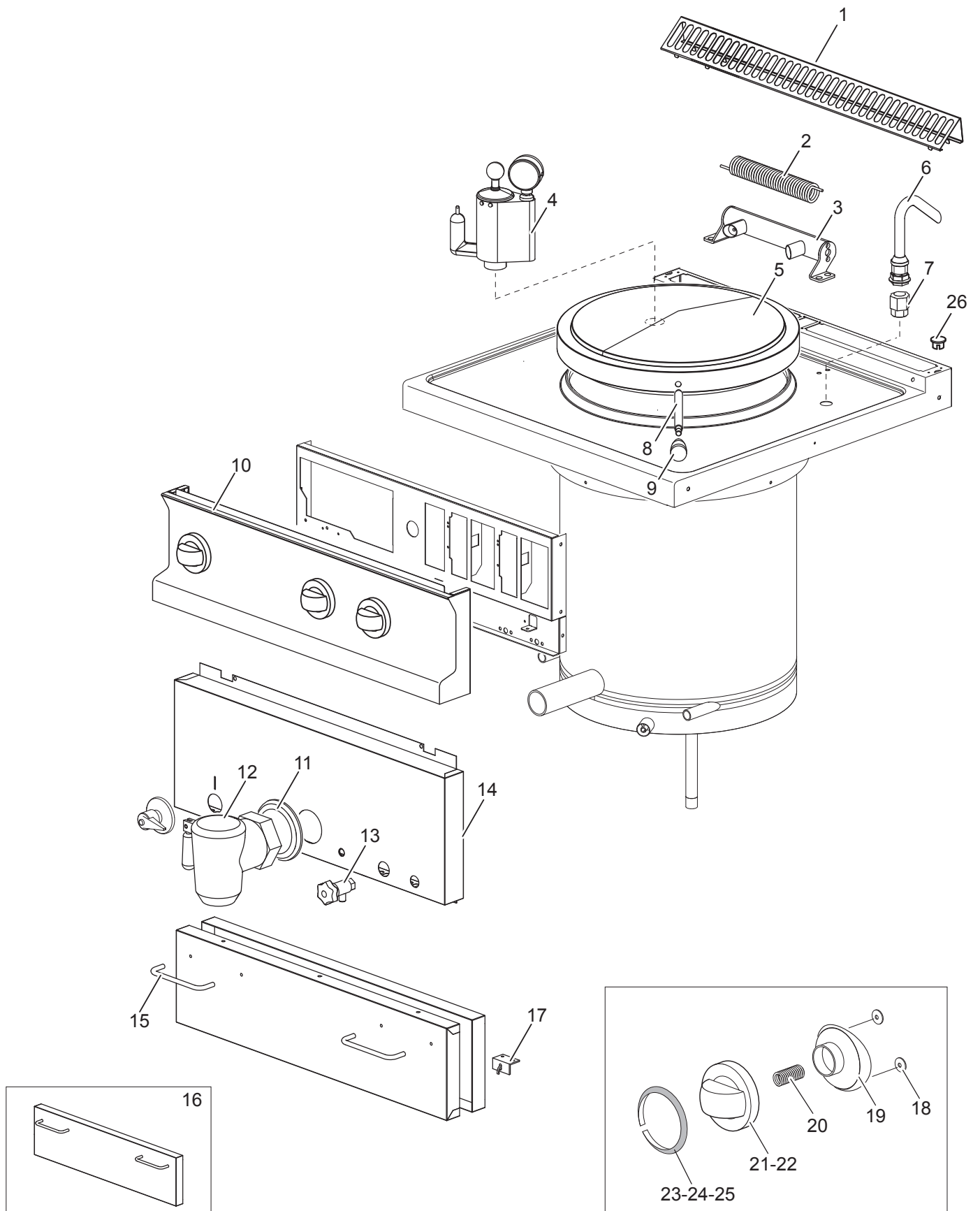
Le informazioni sono considerate non vincolanti. Le immagini rappresentate sono puramente indicative. Il produttore si riserva il diritto di apportare modifiche in qualsiasi momento senza preavviso.

Les informations données ne sont pas contraignantes. Les images montrées sont à titre indicatif. Le producteur se réserve le droit d'apporter des modifications sans préavis.

Die im vorliegenden Dokument aufgeführten Informationen und Bilder sind unverbindlich. Der Hersteller behält sich das Recht vor, jederzeit ohne vorherige Ankündigung Änderungen vorzunehmen

Info and drawing could be slightly different from reality and they cannot be considered as compelling. Manufacturer can modify info anytime without forewarning.

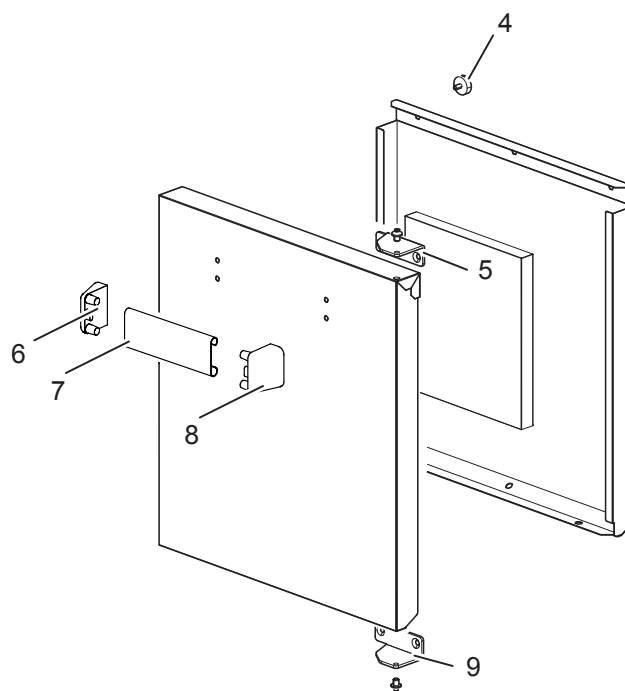
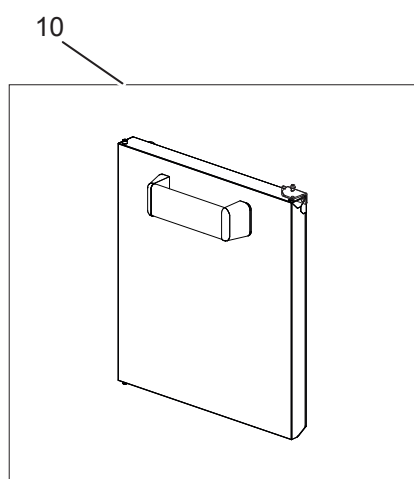
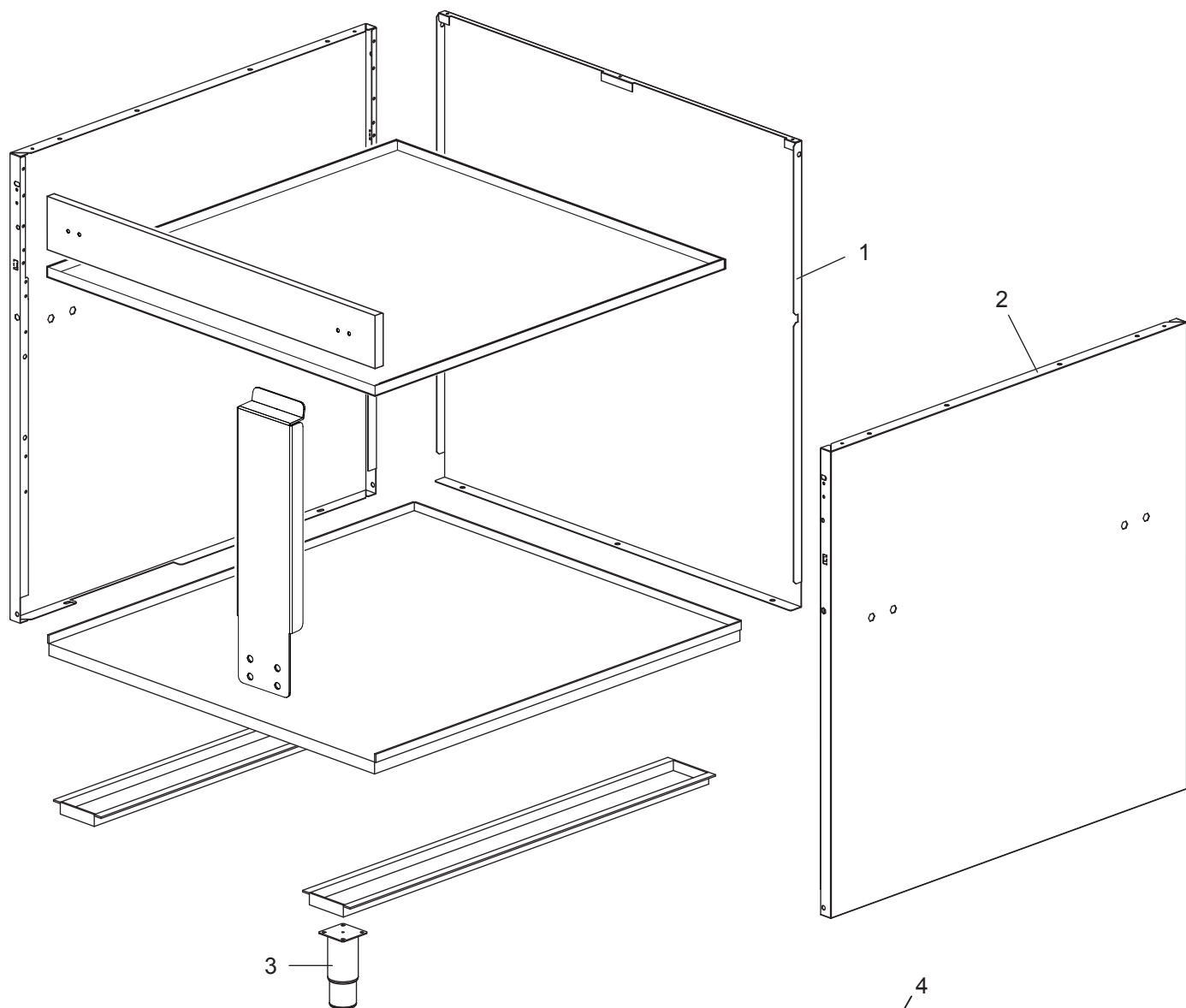
As Informações e desenhos podem estar um pouco diferente da realidade e são puramente indicativas. O fabricante pode modificar estas informações a qualquer momento sem aviso prévio.



Listino componenti per pagina 1

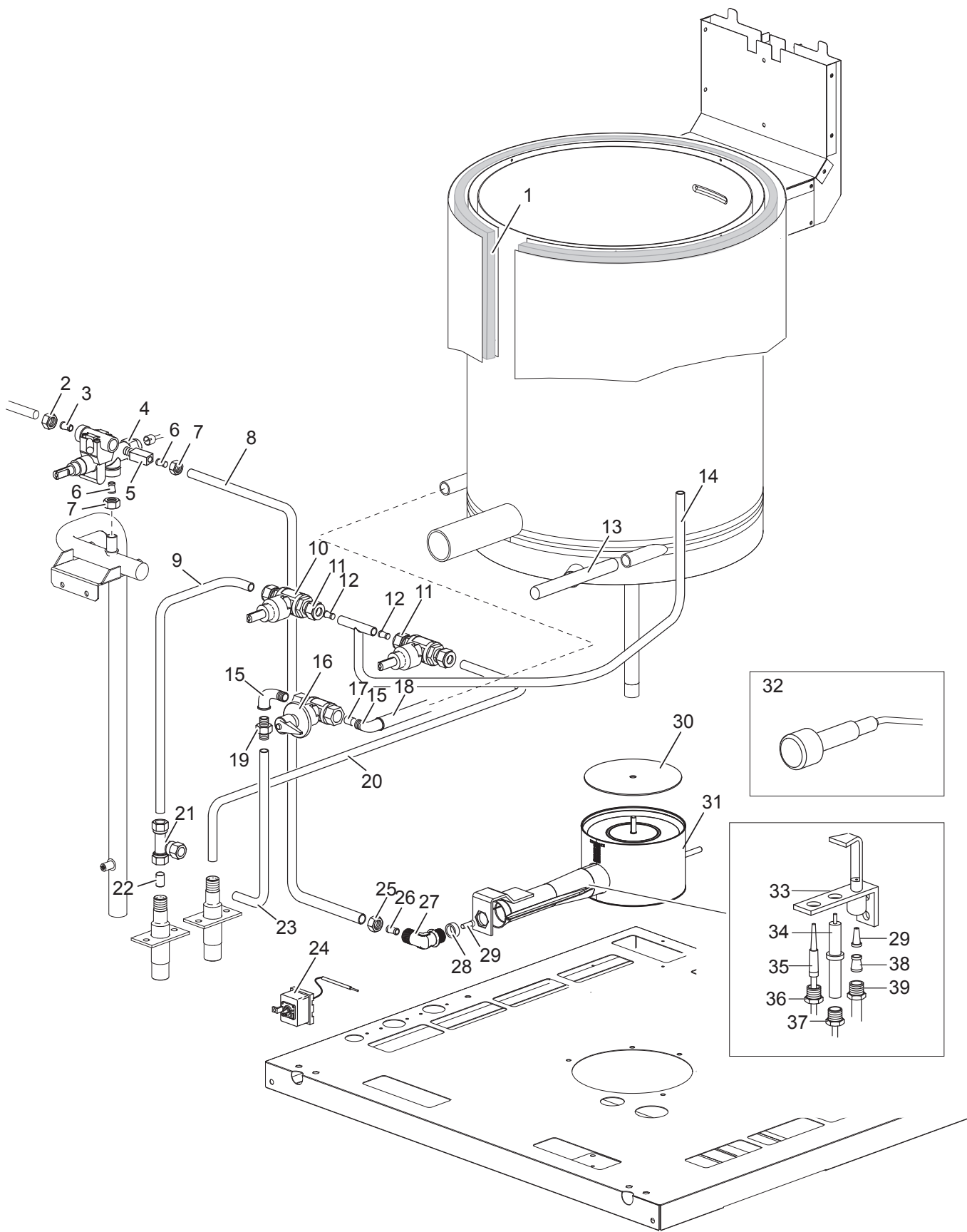
| | | | |
|----|--|--|--|
| 1 | 186162 | GRIGLIA CAMINO GRILLE POUR CHEMINÉE KAMINROST CHIMNEY GRILL | |
| 2 | RTCU700476 <i>Recommended spare parts</i> | MOLLA CERNIERA RESSORT CHARNIERE SCHARNIERFEDER HINGE SPRING | |
| 3 | 168614 | GRUPPO CERNIERA COMPLETA CHARNIERE COMPLETE DECKELSCHARNIER KOMPLETT COMPLETE HINGE | |
| 4 | 176874 | VALVOLA SICUREZZA SOUPAPE DE SURETE SICHERHEITSÜBERDRUCKVENTIL SECURITY VALVE | |
| 5 | RTCU700475 | COPERCHIO COUVERCLE DECKEL COVER | |
| 6 | RTCP800024 | EROGATORE ACQUA ROBINET EAU WASSERAUSLAUF WATER EROGATOR | |
| 7 | RTBF800126 | NIPLES NIPPLE NIPPEL NIPPLE | |
| 8 | RTCU700479 | MANIGLIA MANETTE HANDGRIFF HANDLE | |
| 9 | RTCU700478 | MANOPOLA COPERCHIO POIGNEE COUVERCLE DECKELGRIFF COVER KNOB | |
| 10 | 179164 | CRUSCOTTO PANNEAU DE CONTROLE FRONT BLENDE CONTROL PANEL | |
| 11 | RTCP700002 | BORCHIA BOUCHON ROBINET BESCHLAG FÜR ABLASSHAHN CAP TAP | |
| 12 | RTCP700001 | RUBINETTO SCARICO ROBINET DE VIDANGE ABLASSHAHN DISCHARGE TAP | |
| 13 | RTCP800065 | RUBINETTO LIVELLO ROBINET VENTIL FÜLLSTAND LEVEL TAP | |
| 14 | 168570 | FACCIATA FACADE FRONT ABDECKUNG FRONT PANEL | |
| 15 | RTBF800020 | MANIGLIA MANETTE HANDGRIFF HANDLE | |

| | | | |
|----|---|--|--|
| 16 | RIC0004794 | GRUPPO PORTA PENTOLA PORTE COMPLETE KOMPLETTE TUER DOOR COMPLETE | |
| 17 | RTBF900013 <i><u>Recommended spare parts</u></i> | CERNIERA PORTA CHARNIERE PORTE TUER SCHARNIER DOOR HINGE | |
| 21 | 178119 <i><u>Recommended spare parts</u></i> | CORPO MANOPOLA FUOCHI APERTI POIGNEE BRULEUR KNEBEL BRENNER BURNER KNOB | |
| 22 | 180426 <i><u>Recommended spare parts</u></i> | CORPO MANOPOLA CARICO ACQUA POIGNEE EAU KNEBEL WASSERVENTIL WATER KNOB | |
| 23 | 185720 <i><u>Recommended spare parts</u></i> | ANELLO MANOPOLA FUOCHI APERTI RING PIGNEE KLEBERING KNEBEL BRENNER KNOB RING | |
| 24 | 186703 <i><u>Recommended spare parts</u></i> | ANELLO MANOPOLA ACQUA FREDDA RING EAU FROID KLEBERING KNEBEL KALTWASSER COLD WATER RING | |
| 25 | 186702 <i><u>Recommended spare parts</u></i> | ANELLO MANOPOLA ACQUA CALDA RING EAU CHAUD KLEBERING KNEBEL WARMWASSER HOT WATER RING | |
| 26 | 163603 | GIUNZIONE FISSAGGIO PIANO FIXATURE DE PLAN TOPVERBINDUNG TOP CONNECTION | |



Listino componenti per pagina 2

| | | | |
|---|------------|--|--|
| 1 | 166553 | POSTERIORE ARRIERE RÜCKWAND BACK SIDE | |
| 2 | 173523 | FIANCO TOLE LATERAL SEITENWAND LATERAL SIDE | |
| 3 | RTCU700277 | PIEDE PIED FUSS FOOT | |



Listino componenti per pagina 3

| | | | |
|----|--|---|--|
| 1 | 168255 | PANNELLO ISOLANTE PANNEAU ISOLANT ISOLIERUNGSPANEL INSULATING PANEL | |
| 2 | RTCU900019 | CALOTTA D.6 ÇALOTTE D.6 ÜBERWURFMUTTER D.6 NUT D.6 | |
| 3 | RTCU900018 | BICONO D.6 BICONE D.6 QUETSCHRING D.6 BICONE D.6 | |
| 4 | 168000 <i>Recommended spare parts</i> | RUBINETTO VALVOLATO VANNE A GAZ AVEC SECURITE GASHAHN SAFETY VALVE | |
| 5 | RTCP800073 | RACCORDO TERMOCOPPIA JUNCTION T/C VEILLEUSE UNTERBRECHER THERMOELEMENT T/COUPLE NUT | |
| 6 | RTCU900014 | BICONO D.12 BICONE D.12 QUETSCHRING D.12 BICONE D.12 | |
| 7 | RTCU900015 | CALOTTA D.12 ÇALOTTE D.12 ÜBERWURFMUTTER D.12 NUT D.12 | |
| 8 | 176796 | TUBO ALIMENTAZIONE BRUCIATORE TUBE DE DISTRIBUTION BRÛLEUR BRENNERVERSORGUNGSROHR FEEDING PIPE FOR BURNER | |
| 9 | 177764 | TUBO ALIMENTAZIONE RUBINETTO ACQUA CONDUIT ALIMENTATION ROBINET EAU ZULAUFROHR KALTWASSER ALIMENTATION PIPE FOR WATER TAP | |
| 10 | 168006 <i>Recommended spare parts</i> | RUBINETTO CARICO ACQUA ROBINET CHARGE EAU WASSERVENTIL WATER FILLING TAP | |
| 11 | RTCU900013 | CALOTTA D.10 ÇALOTTE D.10 ÜBERWURFMUTTER D.10 NUT D.10 | |
| 12 | RTCU900012 | BICONO D.10 BICONE D.10 QUETSCHRING D.10 BICONE D.10 | |
| 13 | RTCU700480 | TUBO PROLUNGA RUBINETTO LIVELLO EXTENSION TUYAU ROBINET DE NIVEAU ZULAUFROHR FÜLLVENTIL HEIZWASSER LEVEL TAP PIPE EXTENSION | |
| 14 | 169050 | TUBO ALIMENTAZIONE EROGATORE ACQUA CONDUIT ALIMENTATION ROBINET DE L'EAU ZULAUFROHR AUSLAUSHAHN ALIMENTATION PIPE FOR WATER EROGATOR | |
| 15 | RTCP900034 | GOMITO COUDE ROHRBOGEN CRANK | |

| | | | |
|----|---|--|--|
| 16 | RTCU600075 | RUBINETTO CARICO ACQUA ROBINET CHARGE EAU FÜLLVENTIL HEIZWASSER WATER FILLING TAP | |
| 17 | 166432 | RACCORDO 1/2"X3/8" RACCORD 1/2"X3/8" ANSCHLUSS 1/2"X3/8" CONNECTOR 1/2"X3/8" | |
| 18 | RTCP800128 | TUBO ALIMENTAZIONE RUBINETTO LIVELLO TUYAU ALIMENTATION ROBINET DE NIVEAU ZULAUFROHR FÜLLVENTIL HEIZWASSER LEVEL TAP INLET PIPE | |
| 19 | RTCU900132 | NIPLES 1/2"-3/8" NIPPLE 1/2"-3/8" DOPPELNIPPEL 1/2"-3/8" NIPPLE 1/2"- 3/8" | |
| 20 | 177763 | TUBO ALIMENTAZIONE RUBINETTO ACQUA CONDUIT ALIMENTATION ROBINET EAU ZULAUFROHR WARMWASSER ALIMENTATION PIPE FOR WATER TAP | |
| 21 | RTCU700610 | RACCORDO RACCORD T-ABZWEIG CONNECTOR | |
| 22 | RTCU700629 | MANICOTTO DOUILLE MANSCHETTE SLEEVE | |
| 23 | 177765 | TUBO ALIMENTAZIONE RUBINETTO ACQUA CONDUIT ALIMENTATION ROBINET EAU ZULAUFROHR FÜLLVENTIL ALIMENTATION PIPE FOR WATER TAP | |
| 24 | RTCP800067 <i><u>Recommended spare parts</u></i> | TERMOSTATO DI SICUREZZA THERMOSTAT DE SECURITE SICHERHEITSTHERMOSTAT SAFETY THERMOSTAT | |
| 25 | RTCU800181 | CALOTTA D.12 ÇALOTTE D.12 ÜBERWURFMUTTER D.12 NUT D.12 | |
| 26 | RTCU800195 | BICONO D.12 BICONE D.12 QUETSCHRING D.12 BICONE D.12 | |
| 27 | RTCU700501 | SUPPORTO INIETTORE SUPPORT INJECTEUR DÜSENTRÄGER INJECTOR SUPPORT | |
| 28 | RTCU900005 | C/DADO SUPPORTO INIETTORE ECROU POUR SUPPORT GICLEUR BEFESTIGUNGSMUTTER DÜSENTRÄGER LOCK NUT | |
| 29 | INIETTORE | VEDI MANUALE UGELLI VOIR MANUEL GICLEURS SIEHE DÜSENTABELLE SEE HANDBOOK NOZZLES | |
| 30 | PACU701012 | DISCO PROTEZIONE BRUCIATORE PROTECTION BRULEUR SCHUTZABDECKUNG BRENNER BURNER COVER | |

| | | | |
|----|---|---|--|
| 31 | GACU700263 | BRUCIATORE BRULEUR BRENNER BURNER | |
| 32 | RIC0004096 <i><u>Recommended spare parts</u></i> | GRUPPO PIEZO + CAVO ACCENSIONE PIEZO IGNITION + CABLE D'ALLUMAGE KIT PIEZOZÜNDER + ZÜNDKABEL PIEZO IGNITION + LIGHTING CABLE | |
| 33 | RTCP800034 <i><u>Recommended spare parts</u></i> | CORPO PILOTA VEILLEUSE PILOTBRENNER 3 WAYS PILOT BURNER | |
| 34 | RTCP800033 <i><u>Recommended spare parts</u></i> | CANDELA ROTONDA BOUGIE RONDE ZÜNDKERZE RUND ROUND SPARK PLUG | |
| 35 | RTCU900061 <i><u>Recommended spare parts</u></i> | TERMOCOPPIA THERMOCOUPLE THERMOELEMENT THERMOCOUPLE | |
| 36 | RTCP800038 <i><u>Recommended spare parts</u></i> | RACCORDO TERMOCOPPIA JUNCTION T/C VEILLEUSE VERSCHRAUBUNG THERMOELEMENT T/COUPLE NUT | |
| 37 | RTCU900215 <i><u>Recommended spare parts</u></i> | RACCORDO CANDELA PILOTA JUNCTION BOUGIE VERSCHRAUBUNG ZÜNDKERZE SPARK NUT | |
| 38 | RTCU800183 <i><u>Recommended spare parts</u></i> | BICONO D.6 BICONE D.6 QUETSCHRING D.6 BICONE D.6 | |
| 39 | RTCU800182 <i><u>Recommended spare parts</u></i> | CALOTTA D.6 ÇALOTTE D.6 ÜBERWURFMUTTER D.6 NUT D.6 | |