

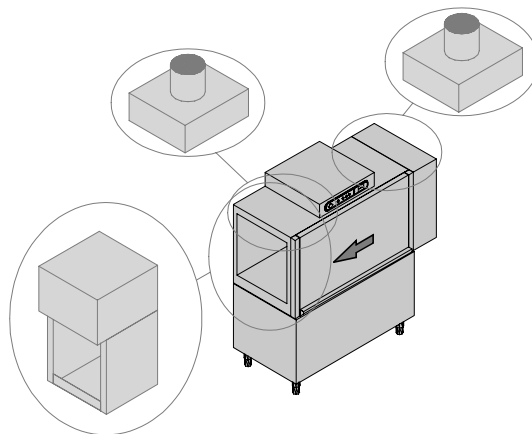
RACK CONVEYOR MACHINE

TYPE: 22

Accessories

STEAM CONDENSER - LC 91
CONVEYOR SPEED ADJUSTING- LC 101
90° MOTORIZED CHAIN CONVEYOR - LC 97/2
180° MOTORIZED CHAIN CONVEYOR - LC 97/3
DRYER WITH 90° MOTORIZED CHAIN CONVEYOR - LC 97/4
DRYER WITH 180° MOTORIZED CHAIN CONVEYOR - LC 97/5
DRYER - LC 90
DRYER - LC 90/2
ADDITIONAL BOILER FOR COLD WATER SUPPLY
DVGW VALVE SYSTEM
SPLASH ZONE WITH CILINDER - LC 94
SPLASH ZONE - LC 93
TANKS INSULATION
DOUBLE SKIN
BOOSTER PUMP
DISPENSERS SYSTEM SDN-3
ANGLE LOADING TABLE - LC 98

Spare parts manual



1. Spare parts

Control Panel.....	7
Electric parts	9
General parts	11
Economizer components	13
Curtains group components	15
Inverter	17
Time relay	19
Dryer LC 90 - LC 90/2 (6 - 12kW) - part 1	21
Dryer LC 90 (6kW) - part 2	23
Dryer LC 90/2 (12kW) - part 2	25
Dryer LC 90 - LC 90/2 (6 - 12kW) - electric components	27
Motorized curve 90° - LC 97/2	29
Dryer motorized curve 90° - LC 97/4	31
Motorized curve 90° - LC 97/2: electric parts	33
Motorized curve 90° - LC 97/2: electric parts single speed - remote control	35
Motorized curve 180° - LC 97/3	37

Dryer motorized curve 180° - LC 97/5	39
Motorized curve 180° - LC 97/3: electric parts	41
Motorized curve 180° - LC 97/3: electric parts single speed - remote control	43
Steam condenser - part 1	45
Steam condenser - part 2	47
Steam condenser - part 3	49
Additional boiler components	51
Additional boiler: electrical components	53
DVGW valve	55
Motorgear components module 1300	57
Washing components 5+3	59
Internal components washing module 1300	61
Rinsing components	63
Boiler components	65
Solenoid valves components: tank loading + rinsing	67
Solenoid valves components: tank loading + rinsing	67
Solenoid valves components: tank loading + rinsing + steam condenser	69
Conveyor parts	71
Splash zone with cilinder - LC 94	73

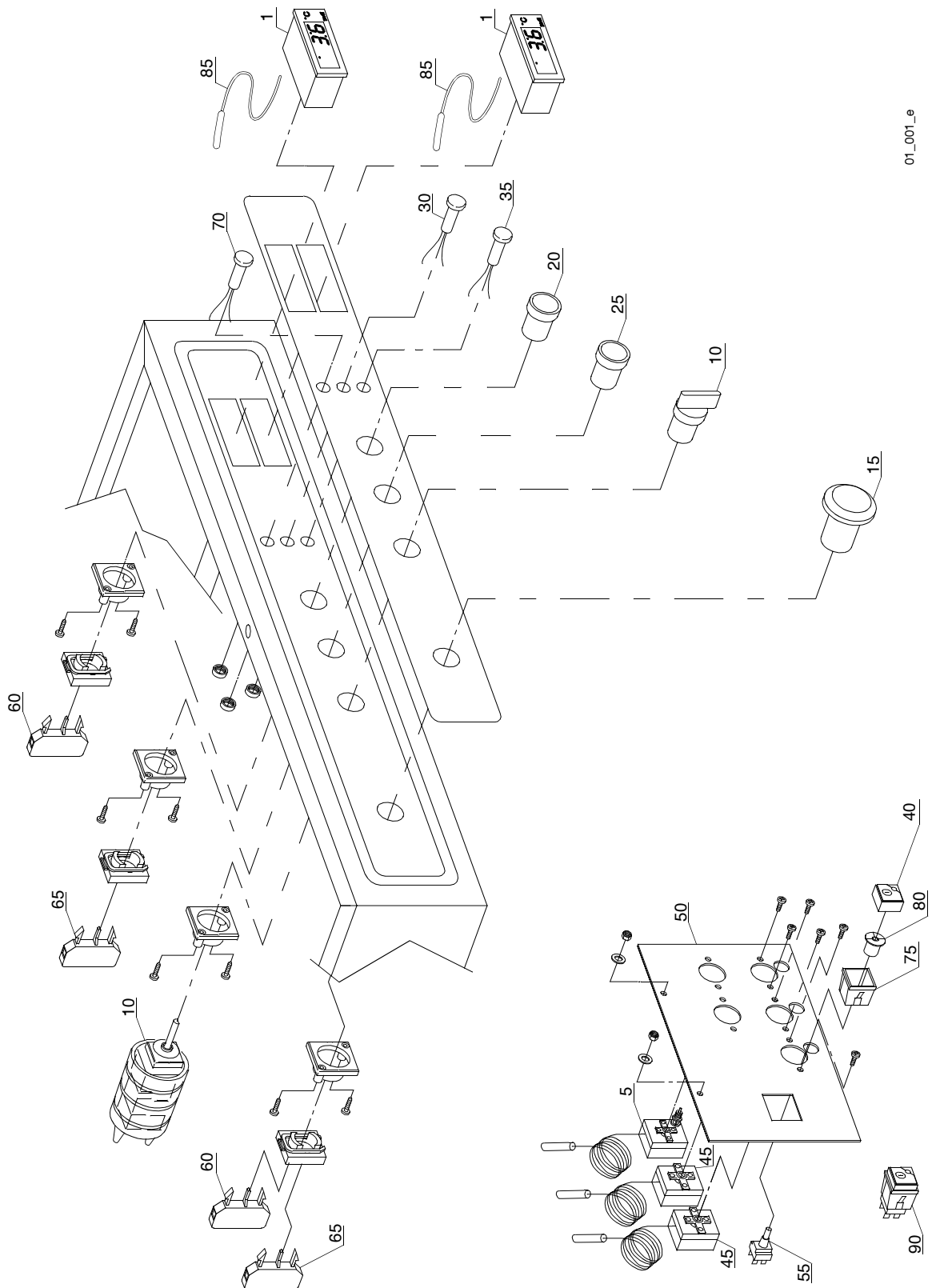
Splash zone - LC 93	75
Tank insulation	77
Double skin	79
Booster pump	81
Dispensers SDN-3	83
Angle loading table 90° - LC 98	85
Baskets	87
Accessory	89

1.1 Voltage codes

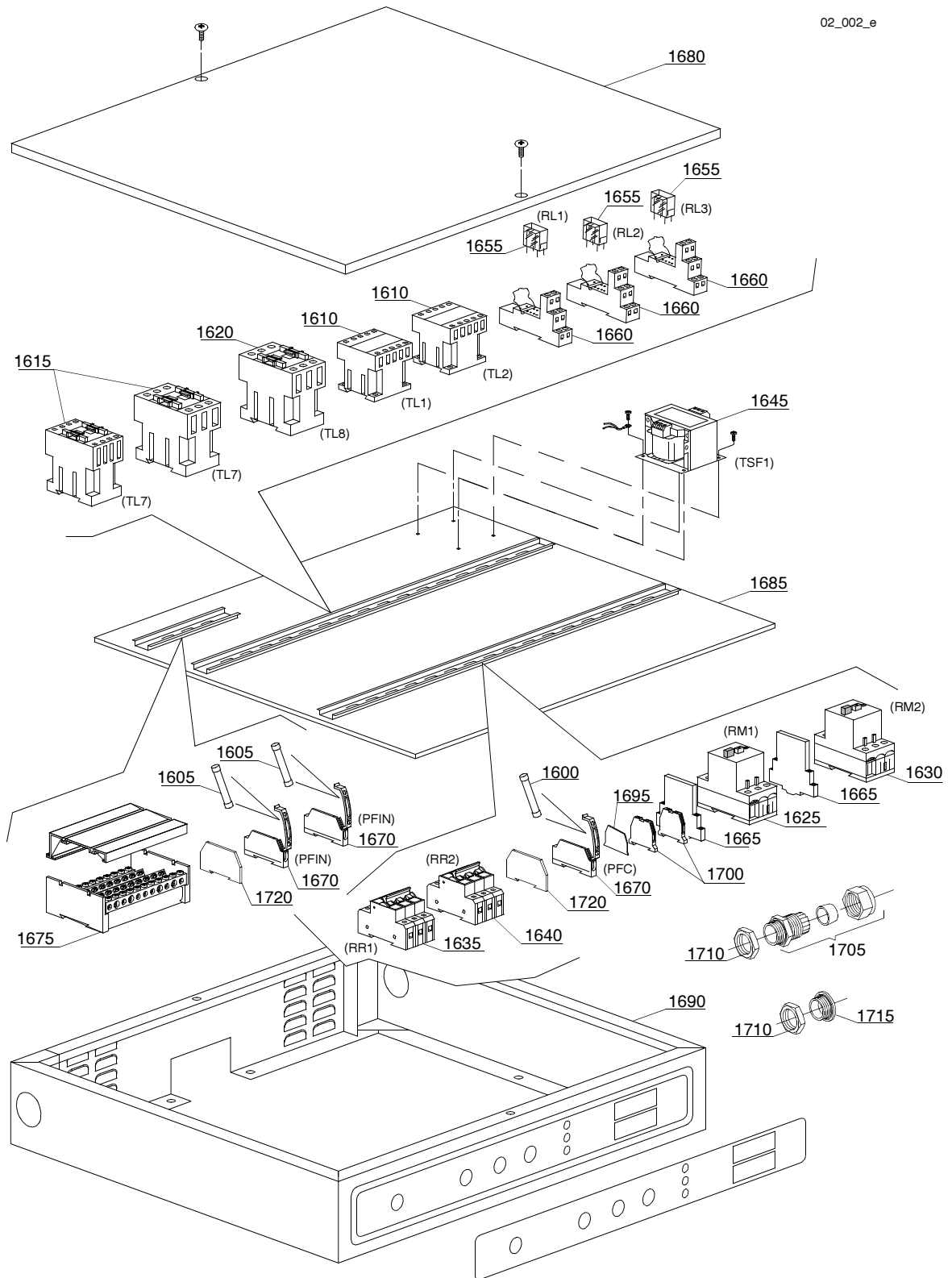
Voltage code	Voltage
A	3/N/PE~400/230V 50Hz
B	~250V 16A 50Hz
C	3/N/PE~380/220V 50Hz
D	3/PE~200V 50-60Hz
F	2/PE 220-240V 50Hz
G	3/N/PE~415/240V 50Hz
H	3/PE~230V 50Hz
I	3/PE~220V 60Hz
J	3/PE~380 50Hz
K	3/PE~400V 50Hz
L	3/PE~415V 50Hz
M	3/PE~440V 60Hz
N	3/PE~460V 60Hz
O	3/PE~480V 60Hz
P	1/N/PE~220-240V 50Hz
R	2/PE~220-230V 60Hz
S	3/N/PE~400/230V 50Hz
T	3/PE~230V 60Hz

1.2 Product codes

Product code	Full name
Model codes	
Type codes	
22	22
Accessory codes	
sc9	STEAM CONDENSER - LC 91
csa	CONVEYOR SPEED ADJUSTING- LC 101
972	90° MOTORIZED CHAIN CONVEYOR - LC 97/2
973	180° MOTORIZED CHAIN CONVEYOR - LC 97/3
974	DRYER WITH 90° MOTORIZED CHAIN CONVEYOR - LC 97/4
975	DRYER WITH 180° MOTORIZED CHAIN CONVEYOR - LC 97/5
d9	DRYER - LC 90
d92	DRYER - LC 90/2
cw	ADDITIONAL BOILER FOR COLD WATER SUPPLY
dvgw	DVGW VALVE SYSTEM
szc9	SPLASH ZONE WITH CILINDER - LC 94
sz9	SPLASH ZONE - LC 93
ti	TANKS INSULATION
ds	DOUBLE SKIN
bp	BOOSTER PUMP
sdn3	DISPENSERS SYSTEM SDN-3
98	ANGLE LOADING TABLE - LC 98

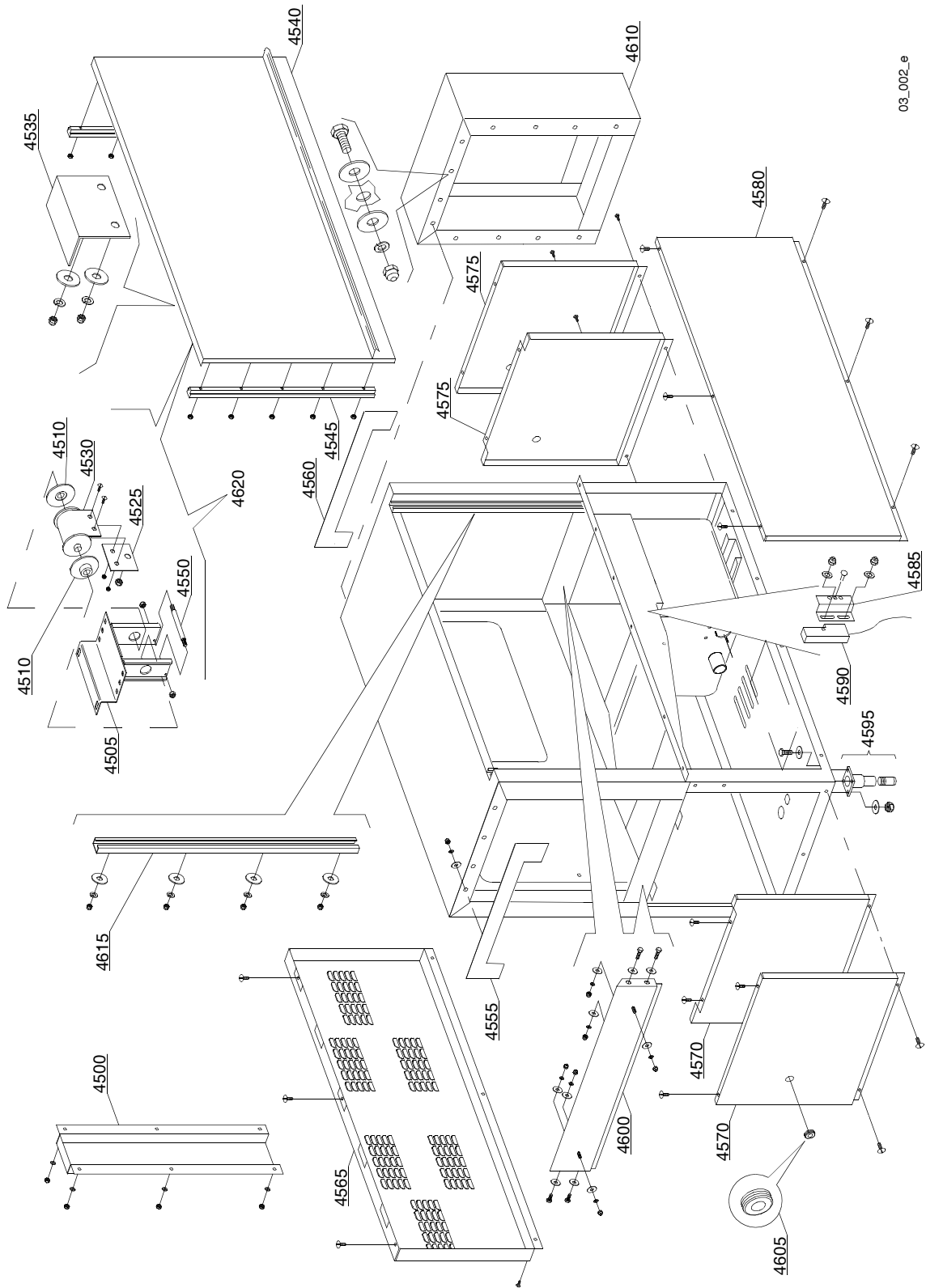


01_001_e



Spare parts

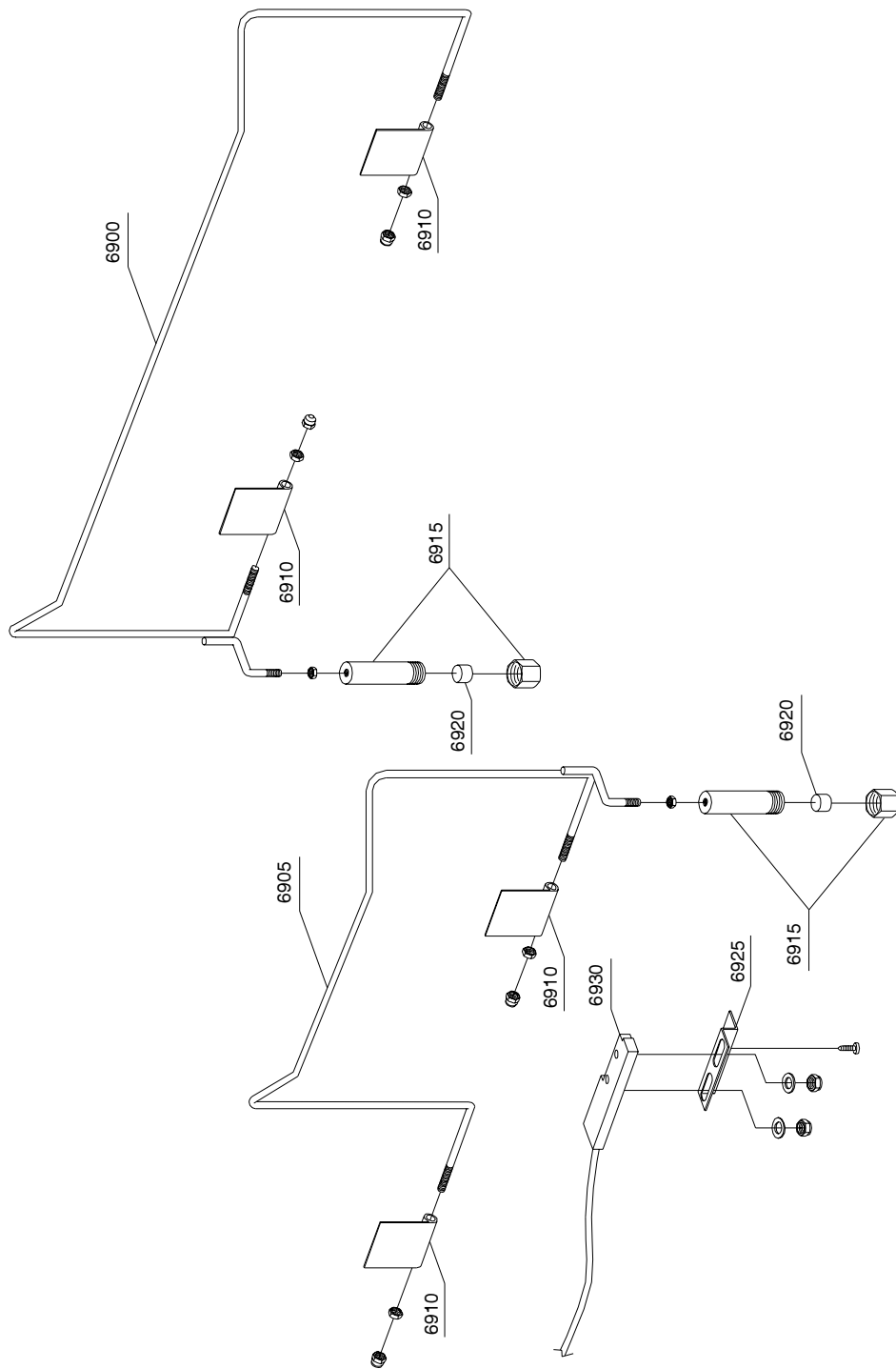
ID	P-code	Model	Type	Accessory	Voltage	Description
MODULE:Electric parts						
1600	15160		22		A	Fuse 5x20 10A
1605	15163		22		A	Fuse 5x20 1A
1610	2000370		22		A	Contactora MC9
1615	2000380		22		A	Contactora BF12 (heating element < 9 kW)
1615	2000385		22		A	Contactora BF20 (heating element > 9 kW)
1620	2000385		22		A	Contactora BF20
1625	2000390		22		A	Motorprotector 1 - 1.6A
1630	2000400		22		A	Motorprotector 4 - 6.3A
1635	2000403		22		A	Automatic fuse C20 (heating element < 9kW)
1635	2000404		22		A	Automatic fuse C25 (heating element > 9kW)
1640	2000403		22		A	Automatic fuse C20 (heating element < 9kW)
1640	2000404		22		A	Automatic fuse C25 (heating element > 9kW)
1645	3006061		22		A	Transformer 200VA
1645	3006060		22		A	Transformer 160VA
1655	3006078		22		A	Relay
1660	3006079		22		A	Base for relay
1665	3006080		22		A	Auxiliary contact LMS25
1670	3006147		22		A	Fuse holder
1675	3006154		22		A	Terminal board
1680	3009457		22		A	Control panel cover
1685	3009458		22		A	Electric parts pannel
1690	3019033		22		A	Comand parts pannel
1695	3006083		22		A	Clamp covering plate 4mm
1700	3006092		22		A	Clamp 4mm
1705	80419		22		A	Cable-fastener PG29
1710	80420		22		A	Lock nut
1715	80421		22		A	Plug PG29
1720	3006144		22		A	Fuse holder covering plate



03_002_e

Spare parts

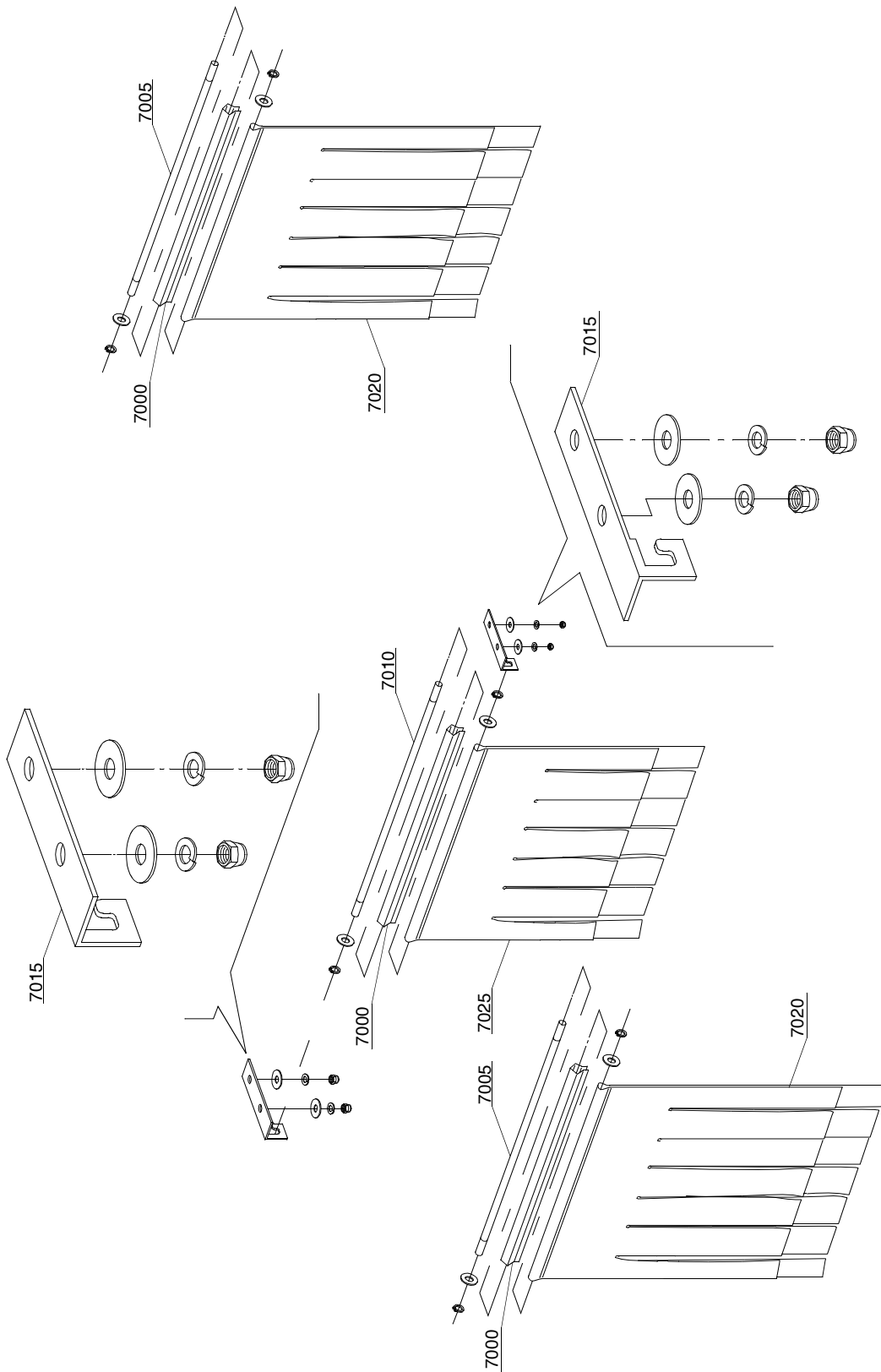
ID	P-code	Model	Type	Accessory	Voltage	Description
MODULE:General parts						
4500	3009322		22			Rear cover
4505	3009909		22			Spring support
4510	3004012		22			Spring holder
4525	3009555		22			Spring clamping plate
4530	3004011		22			Door spring BBSR 23
4535	3009269		22			Door stop
4540	3009404		22			Door assembly
4545	3004026		22			Door guide
4550	3003958		22			Pin
4555	3009523		22			Pluggin panel left
4560	3009534		22			Pluggin panel right
4565	3009173		22			Rear panel
4570	3009191		22			Cover left
4570	3009188		22			Cover left (into splash zone's models only)
4575	3009190		22			Cover right
4575	3009189		22			Cover right (into splash zone's models only)
4580	3009465		22			Front cover
4585	3009112		22			Microswitch support
4590	3003112		22			Door microswitch
4595	80116		22			Foot
4600	3009116		22			Side panel
4605	13329		22			Fairlead
4610	3019021		22			Splash zone
4615	3009033		22			Slideways
4620	3009905		22			Spring assembly BBSR 23



03_102_e

Spare parts

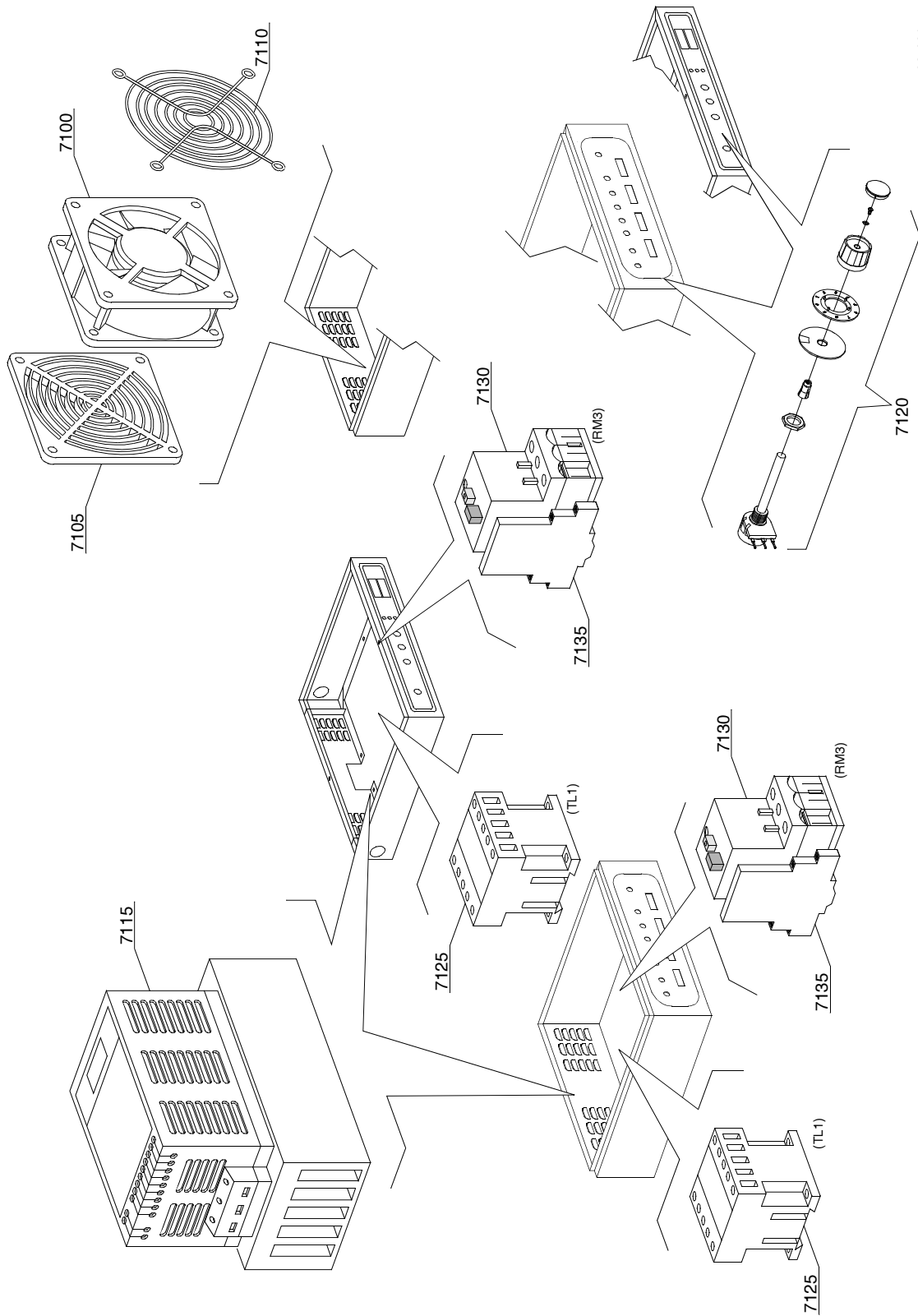
ID	P-code	Model	Type	Accessory	Voltage	Description
MODULE:Economizer components						
6900	3003074		22			Rack switch arm right
6900	3003075		22			Rack switch arm left
6905	3003072		22			Rack switch arm right
6905	3003073		22			Rack switch arm left
6910	3003061		22			Economizer support
6915	3003058		22			Magnet holder
6920	3003113		22			Magnet
6925	3009112		22			Door microswitch support
6930	3003112		22			Door microswitch



03_201_e

Spare parts

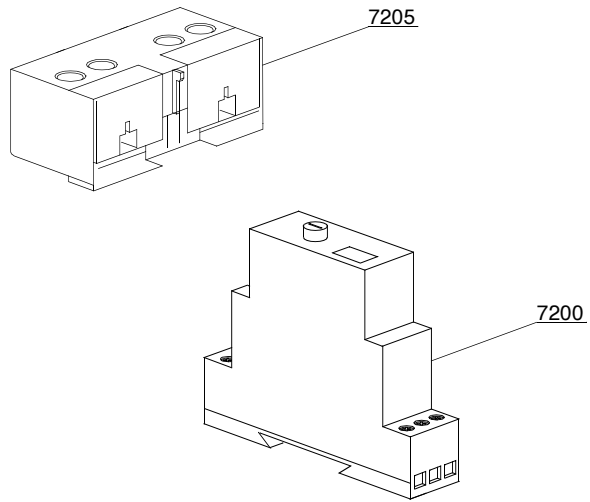
ID	P-code	Model	Type	Accessory	Voltage	Description
MODULE: Curtains group components						
7000	3009109		22			Curtain moulding
7005	3004053		22			Curtain rod short
7010	3004052		22			Curtain rod long
7015	3009110		22			Curtain support
7020	3004050		22			Curtain long
7025	3004051		22			Curtain short



06_001_e

Spare parts

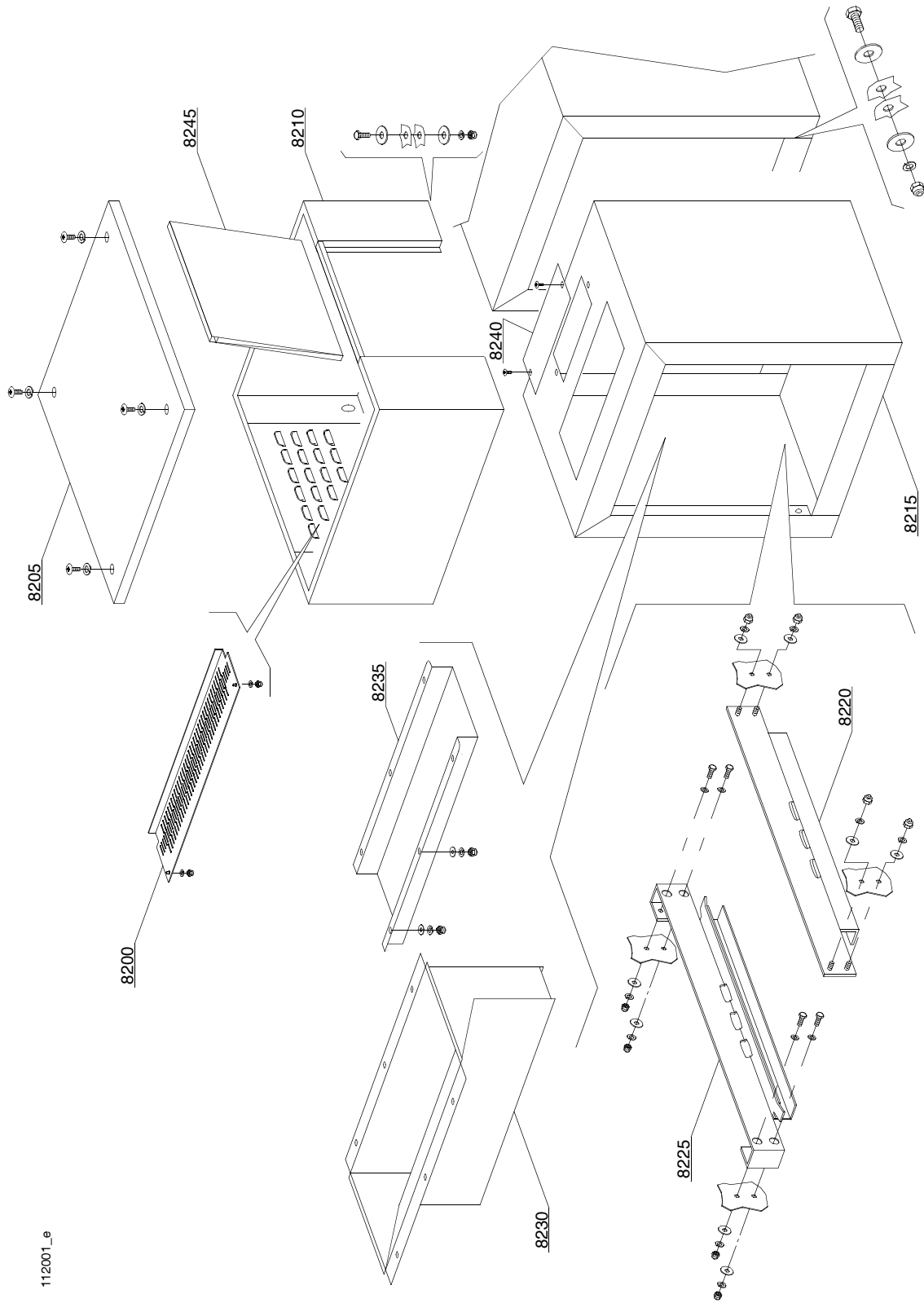
ID	P-code	Model	Type	Accessory	Voltage	Description
MODULE:Inverter						
7100	3000118		22	csa	A	Impeller fan
7105	3000118/A		22	csa	A	Filter
7110	3000118/B		22	csa	A	Grid
7115	3000117		22	csa	A	Inverter 0,37kW
7120	3000119		22	csa	A	Potentiometer with knob
7125	2000370		22	csa	A	Contactora MC9
7130	2000400		22	csa	A	Motorprotector 4-6,3A
7135	3006080		22	csa	A	Auxiliary contact LMS25



07_001_e

Spare parts

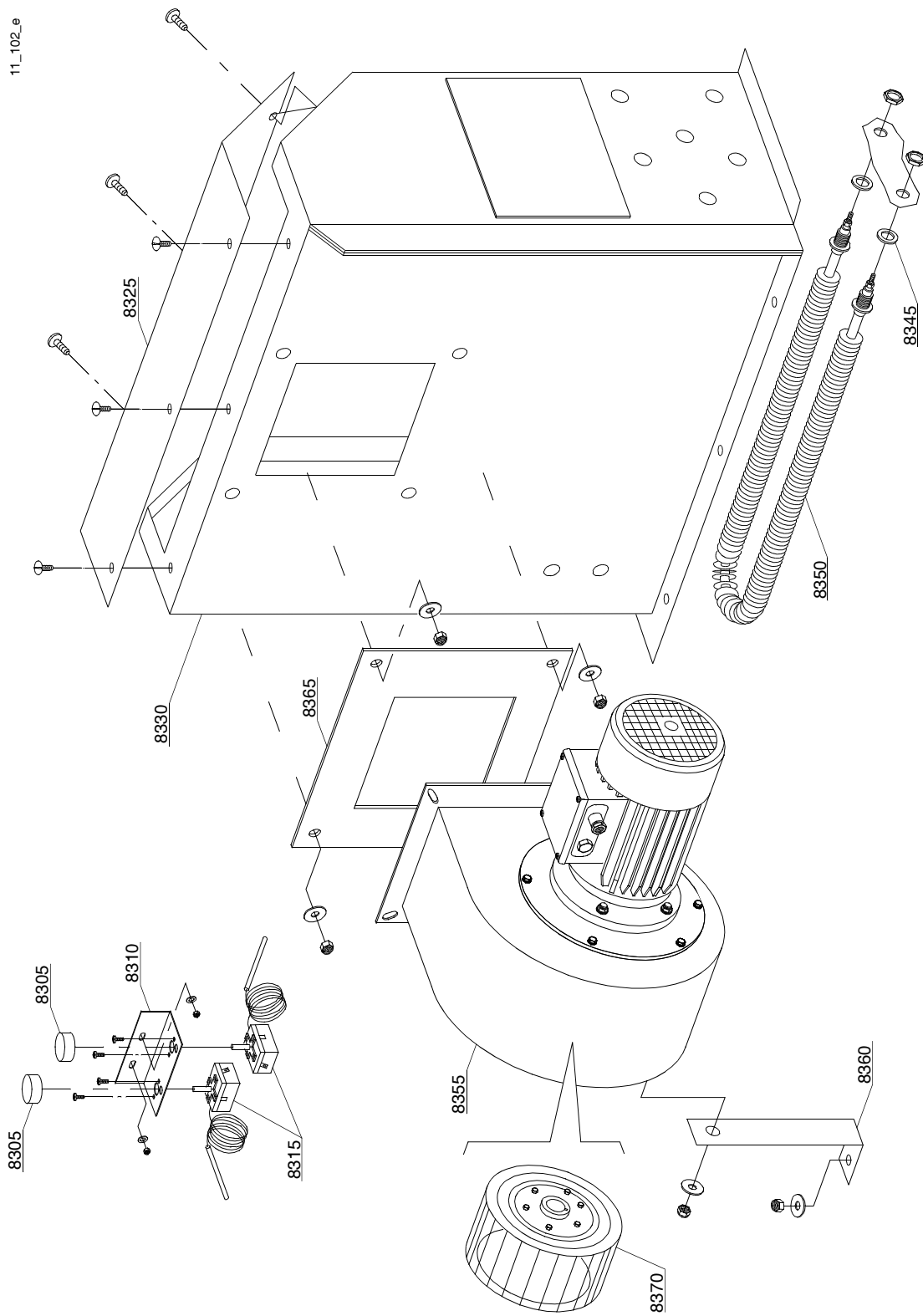
ID	P-code	Model	Type	Accessory	Voltage	Description
MODULE:Time relay						
7200	3006225		22	sc9,d9,d92,d94,974,975	A	Time relay 24V
7205	3006068		22	sc9,d9,d92,d94,974,975	A	MC9 auxiliary contact 1NO-1NC
7205	3002057		22	sc9,d9,d92,d94,974,975	A	MC9 auxiliary contact 2NO
7205	3002052		22	sc9,d9,d92,d94,974,975	A	MC9 auxiliary contact 2NC



112001_e

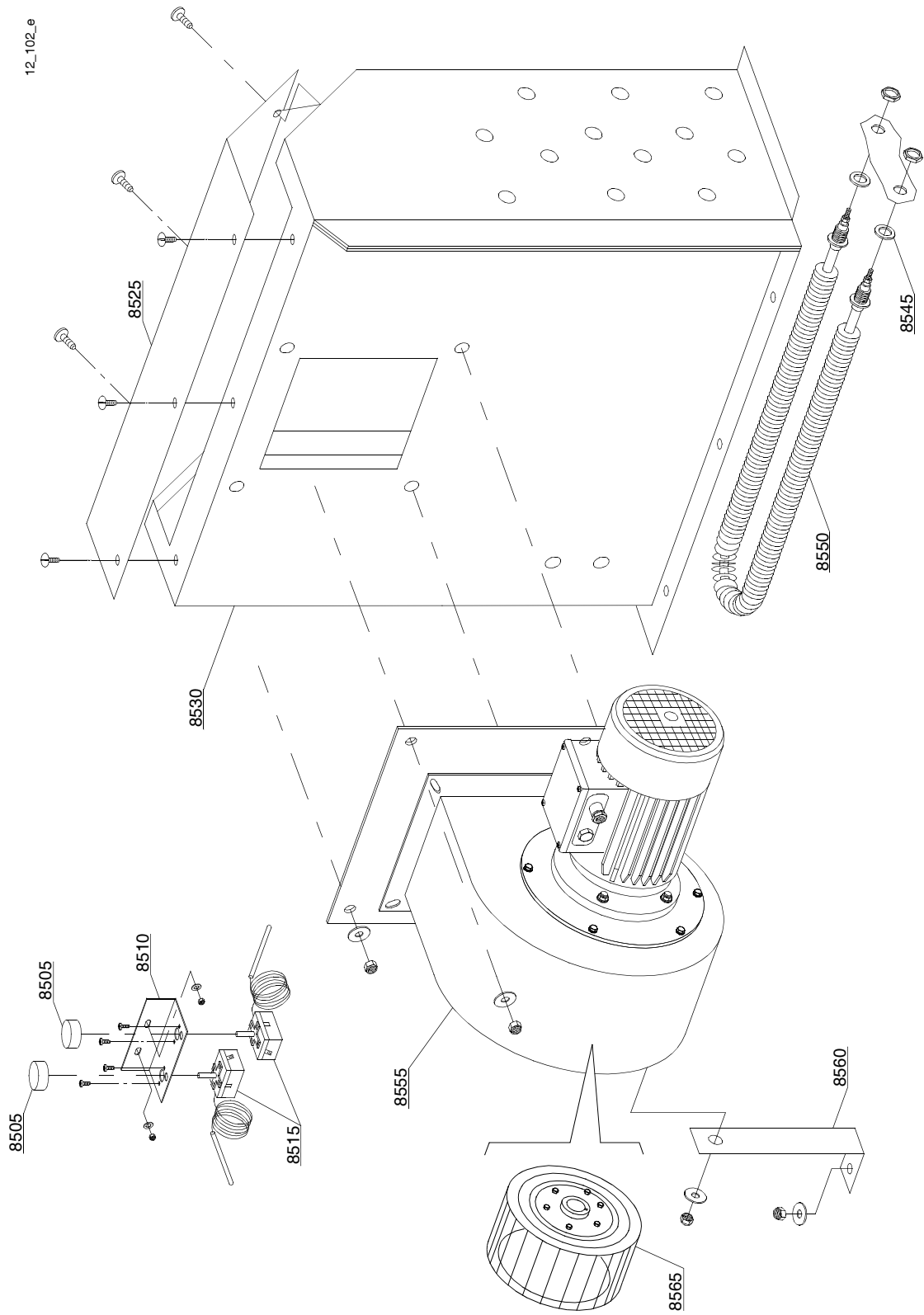
Spare parts

ID	P-code	Model	Type	Accessory	Voltage	Description
MODULE:Dryer LC 90 - LC 90/2 (6 - 12kW) - part 1						
8200	3009362/A		22	d9,d92		Protection
8205	3009267		22	d9,d92		Cover panel
8210	3009484		22	d9,d92		Complete body
8215	3009485		22	d9,d92		Dryer module
8220	3009047		22	d9,d92		Front slideways
8225	3009057		22	d9,d92		Back slideways
8230	3009492		22	d9,d92		Flow conveyor
8235	3009434		22	d9		Splash guard
8240	3009100		22	d92		Air covering
8245	3009268		22	d9,d92		Dryer carter lockup



Spare parts

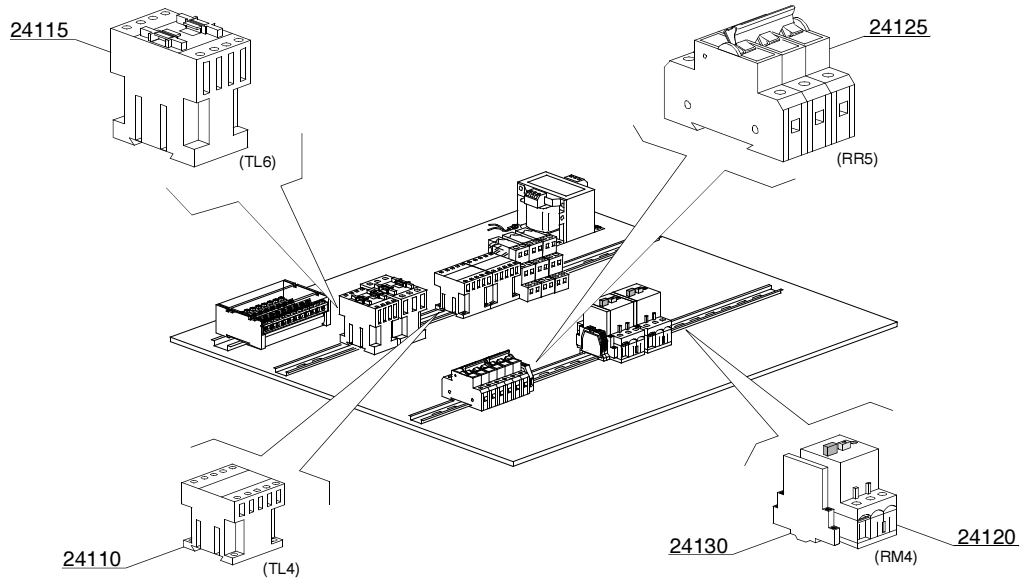
ID	P-code	Model	Type	Accessory	Voltage	Description
MODULE:Dryer LC 90 (6kW) - part 2						
8305	15105/A		22	d9		Thermostat knob
8310	3009104		22	d9		Thermostat support
8315	10707/2		22	d9		Thermostat with shaft 0 - 90°
8325	3009085		22	d9		Cover drying conveyer
8330	3009486		22	d9		Right drying conveyer
8330	3009487		22	d9		Left drying conveyer
8345	10200171		22	d9		Gasket FASIT 25x17x2
8350	2000359		22	d9		Drying heating element with nut
8355	3000300		22	d9	A	Motorfan 0,55 kW
8360	3009214		22	d9		Motorfan support
8365	3009275		22	d9		Flange
8370	3000308		22	d9		Pump rotor



Spare parts

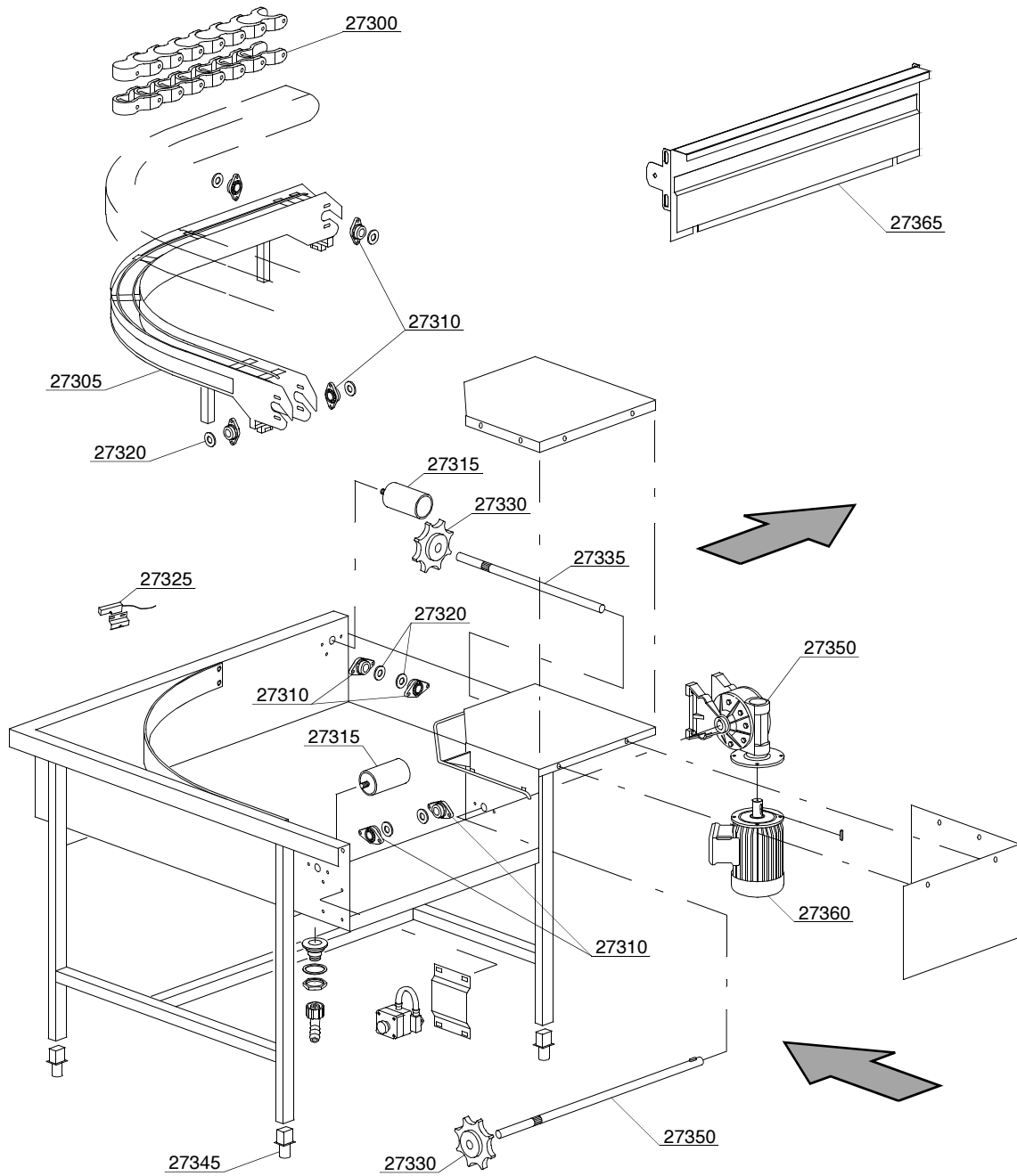
ID	P-code	Model	Type	Accessory	Voltage	Description
MODULE:Dryer LC 90/2 (12kW) - part 2						
8505	15105/A		22	d92,974,975		Thermostat knob
8510	3009104		22	d92,974,975		Themostat support
8515	10707/2		22	d92,974,975		Thermostat with shaft 0 - 90°
8525	3009085		22	d92,974,975		Cover drying conveyor
8530	3009488		22	d92,974,975		Right drying conveyor
8530	3009489		22	d92,974,975		Left drying conveyor
8545	10200171		22	d92,974,975		Gasket FASIT 25x17x2
8550	2000359		22	d92,974,975		Drying heating element with nut
8555	3003118		22	d92,974,975		Motorfan 0.75 kW
8555	3000301		22	d92,974,975		Motorfan 1,5 kW
8560	3009214		22	d92,974,975		Motorfan support
8565	3003119		22	d92,974,975		Pump rotor

112105_e



Spare parts

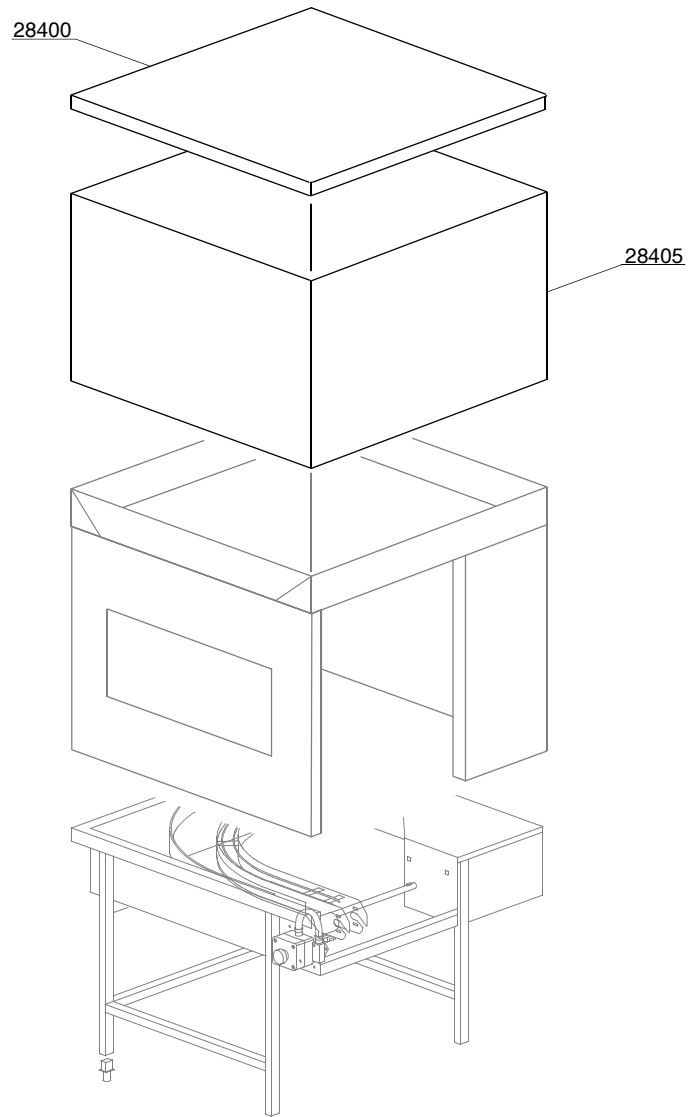
ID	P-code	Model	Type	Accessory	Voltage	Description
MODULE:Dryer LC 90 - LC 90/2 (6 - 12kW) - electric components						
24110	2000370		22	d9,d92,974,975	A	Contactora MC9
24115	2000380		22	d9	A	Contactora BF12 (LC90 - 6kW)
24115	2000385		22	d92,974,975	A	Contactora BF20 (LC90/2 - 12kW)
24120	2000394		22	d9,d92	A	Motorprotector 2,5-4A (Motorfan 0,75 kW)
24120	2000400		22	d92,974,975	A	Motorprotector 4-6,3A (Motorfan 1,5 kW)
24125	2000404		22	d92,974,975	A	Automatic fuse C25 (LC90/2 - 12kW)
24130	3006080		22	d9,d92,974,975	A	Auxiliary contact LMS25



15_001_e

Spare parts

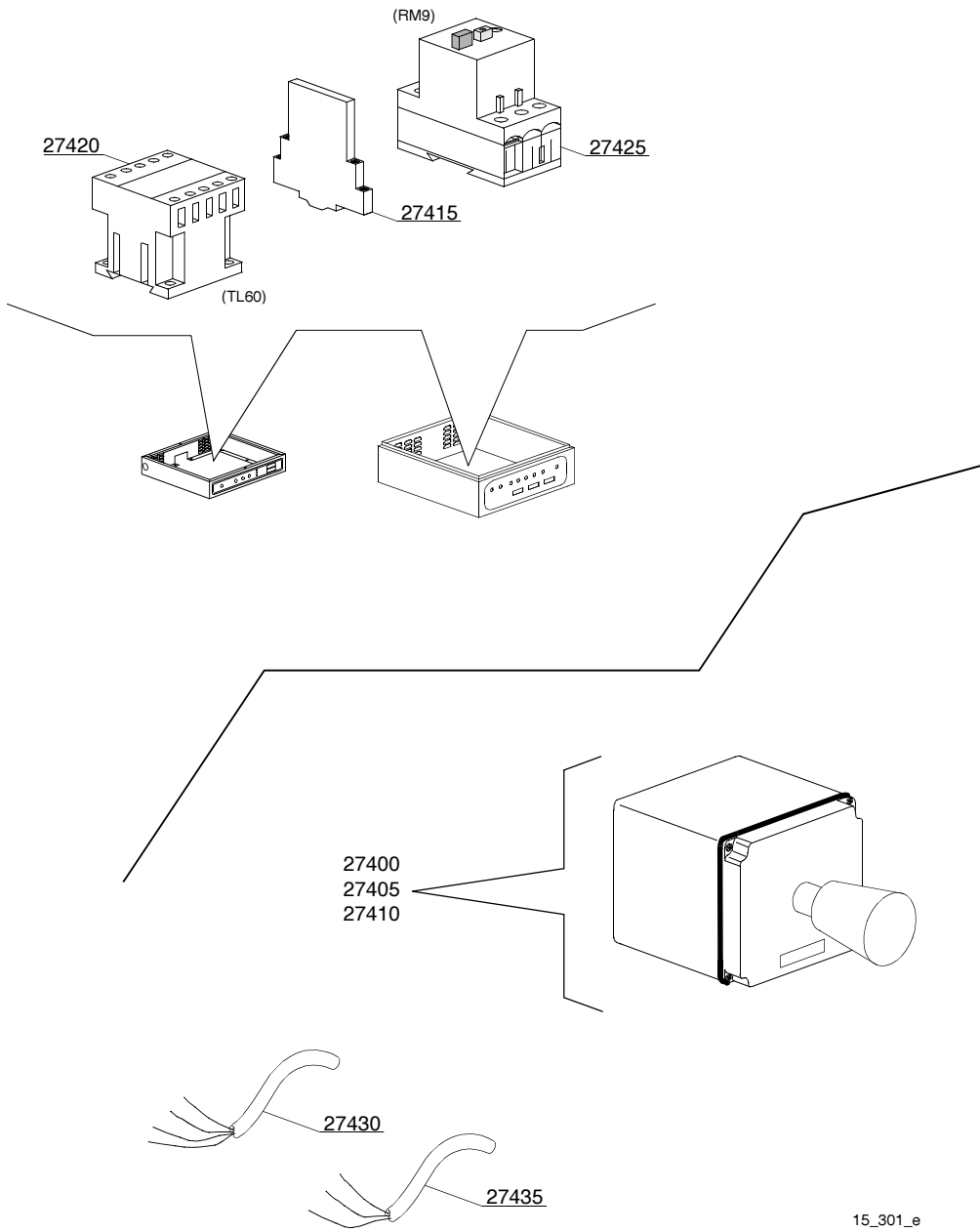
ID	P-code	Model	Type	Accessory	Voltage	Description
MODULE:Motorized curve 90° - LC 97/2						
27300	3000259		22	972,974		Chain for roller
27305	3003057		22	972,974		Kit guide for chain
27310	3000260		22	972,974		Flange for chain
27315	3000262		22	972,974		Ø50x80 embossment roller
27320	3003048		22	972,974		Spacer for bearings
27325	3003112		22	972,974		Door microswitch
27330	3000261		22	972,974		8 teeth pinion
27335	3003050		22	972,974		Neutral shaft for chain
27345	3000252		22	972,974		Adjustable food
27350	3003047		22	972,974		Shaft for chain rotation
27350	3000254		22	972,974		Gear right 1:100
27360	3000102		22	972,974	A	Conveyor motor
27360	3000251		22	972,974	A	Conveyor motor



15_101_e

Spare parts

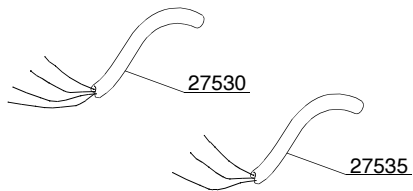
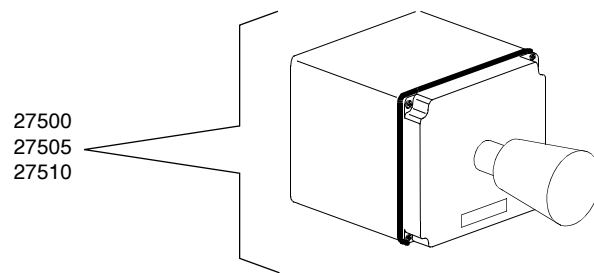
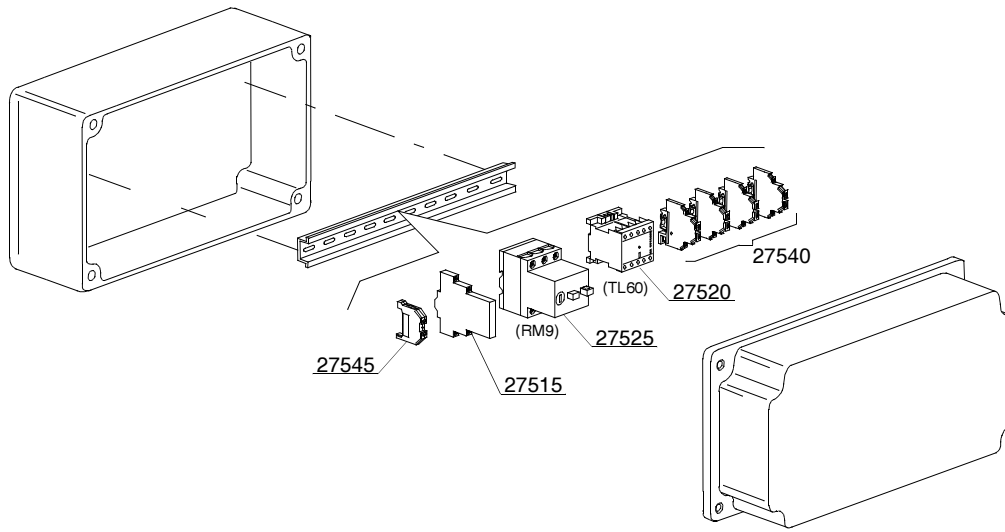
ID	P-code	Model	Type	Accessory	Voltage	Description
MODULE:Dryer motorized curve 90° - LC 97/4						
28400	3009326		22	974		Cover panel
28405	3009511		22	974		Carter



15_301_e

Spare parts

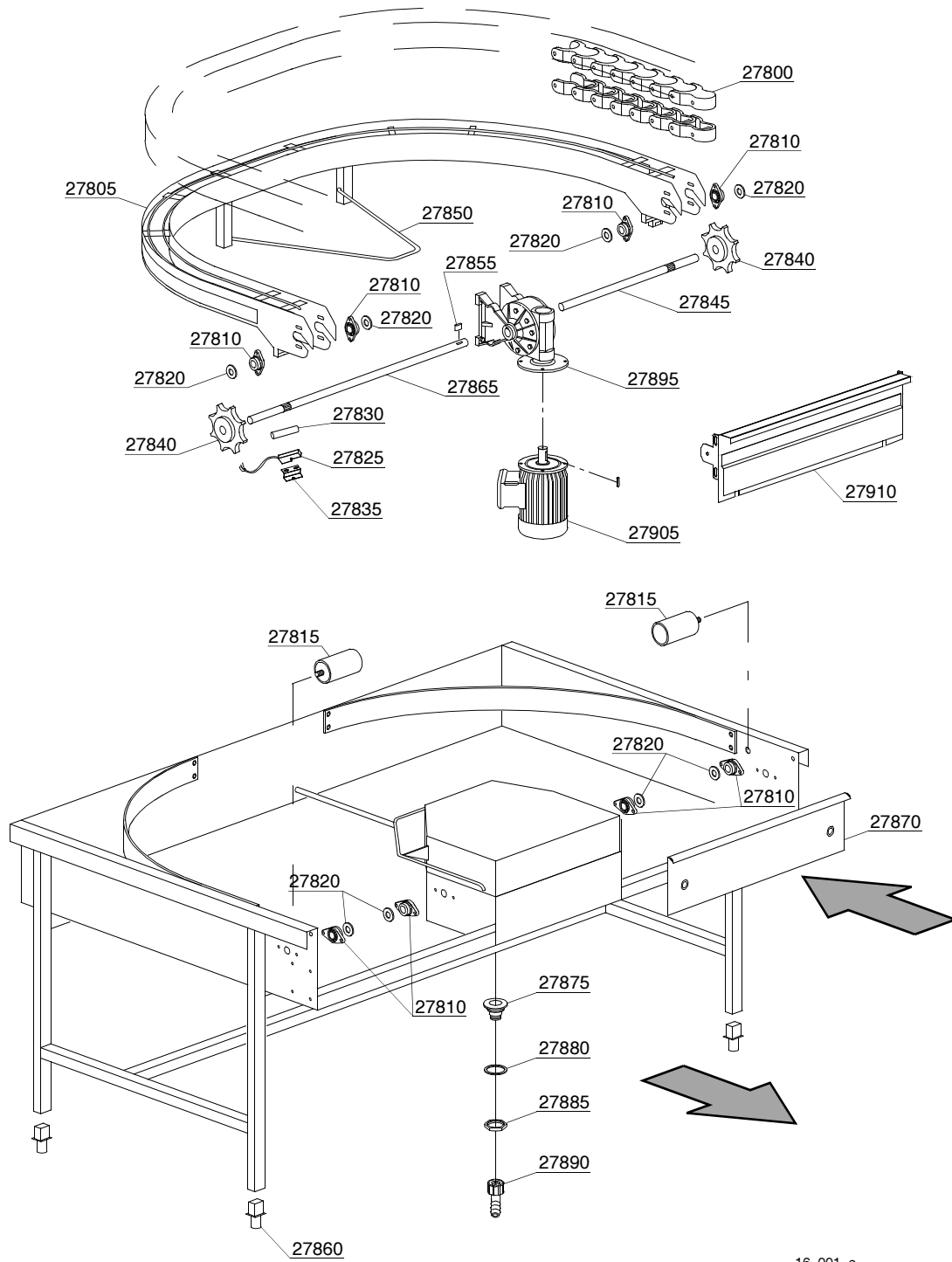
ID	P-code	Model	Type	Accessory	Voltage	Description
MODULE:Motorized curve 90° - LC 97/2: electric parts						
27400	3000264		22	972,974		Emergency box
27405	3000263		22	972,974		Emergency switch
27410	3002059		22	972,974		1R contact
27415	3006080		22	972,974		Auxiliary contact LMS25
27420	2000370		22	972,974		Contacteur MC9
27425	2000390		22	972,974		Motorprotector 1 - 1.6A
27430	3006134		22	972,974		Flame-retardant cable 4x1,5mm
27435	3006136		22	972,974		Flame-retardant cable 3x1mm



15_302_0

Spare parts

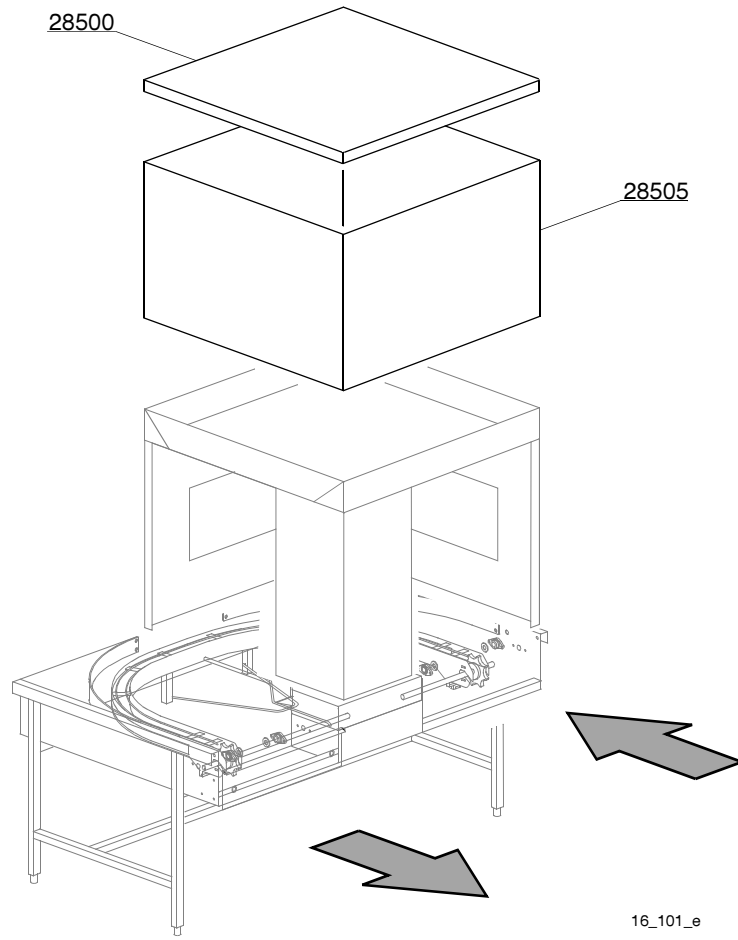
ID	P-code	Model	Type	Accessory	Voltage	Description
MODULE:Motorized curve 90° - LC 97/2: electric parts single speed - remote control						
27500	3000264		22	972,974		Emergency box
27505	3000263		22	972,974		Emergency switch
27510	3002059		22	972,974		1R contact
27515	3006080		22	972,974		Auxiliary contact LMS25
27520	2000370		22	972,974		Contacteur MC9
27525	2000390		22	972,974		Motorprotector 1 - 1.6A
27530	3006134		22	972,974		Flame-retardant cable 4x1,5mm
27535	3006136		22	972,974		Flame-retardant cable 3x1mm
27540	3006092		22	972,974		Clamp 4mm
27545	10300401		22	972,974		Earth clamp 4mm



16_001_e

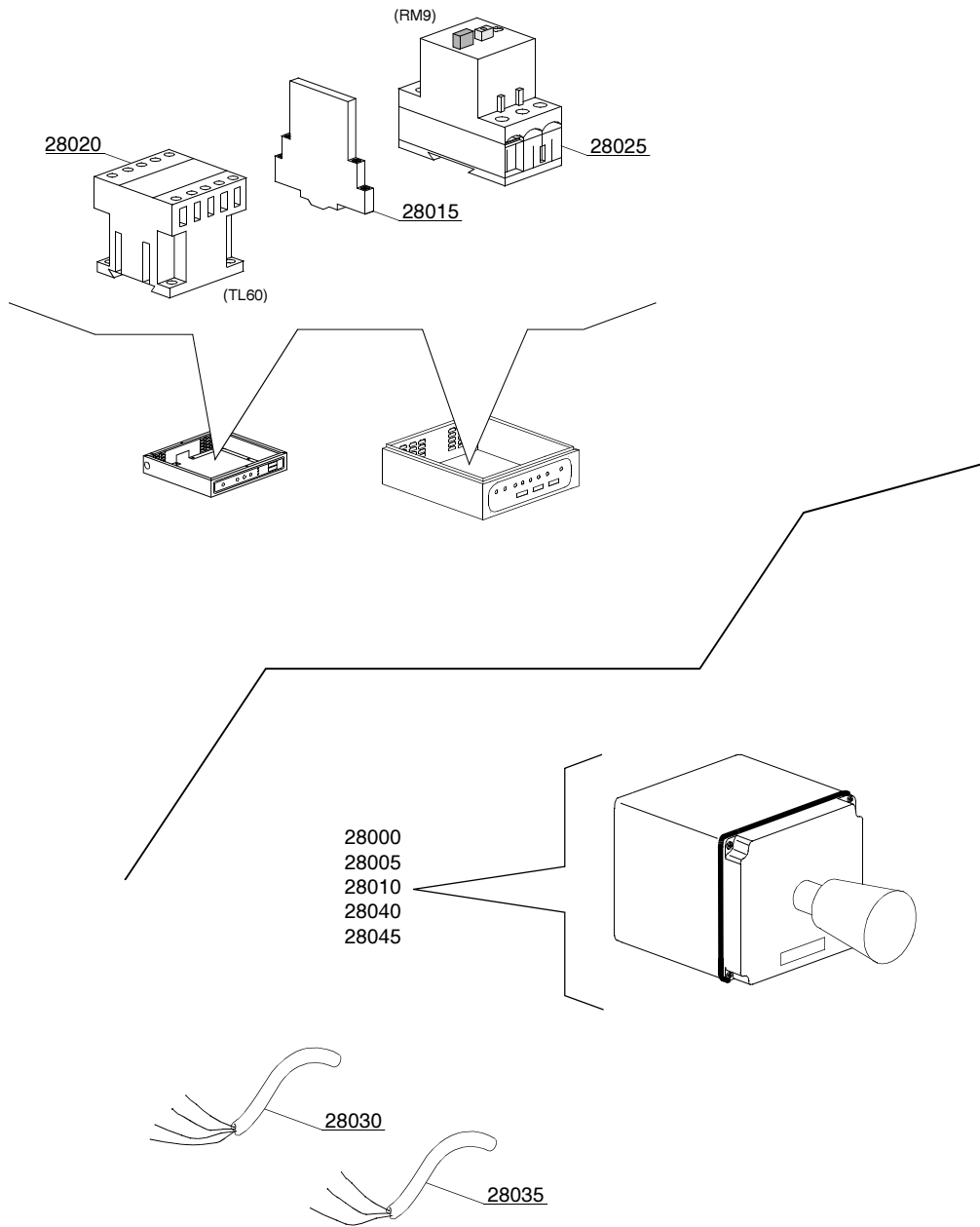
Spare parts

ID	P-code	Model	Type	Accessory	Voltage	Description
MODULE:Motorized curve 180° - LC 97/3						
27800	3000259		22	973,975		Chain for roller
27805	3003056		22	973,975		Kit guide for chain
27810	3000260		22	973,975		Flange for chain
27815	3000262		22	973,975		Ø50x80 embossment roller
27820	3003048		22	973,975		Spacer for bearings
27825	3003112		22	973,975		Door microswitch
27830	80232		22	973,975		Magnet for reed
27835	3009112		22	973,975		Holder for reed micro door
27840	3000261		22	973,975		8 teeth pinion
27845	3003051		22	973,975		Neutral shaft for chain
27850	3003053		22	973,975		Lifting arm for chain guide
27855	2001045		22	973,975		6x6x25 machine key
27860	3000252		22	973,975		Adjustable food
27865	3003047		22	973,975		Shaft for chain rotation
27870	3009609		22	973,975		Protection panel
27875	10200113		22	973,975		Floor drain
27880	10200173		22	973,975		75x58x2 gasket
27885	10200114		22	973,975		Drain floor nut
27890	15613		22	973,975		"1"" 1/4x30 nylon elbow"
27895	3000254		22	973,975		Gear right 1:100
27905	3000102		22	973,975	A	Conveyor motor
27905	3000251		22	973,975	A	Conveyor motor



Spare parts

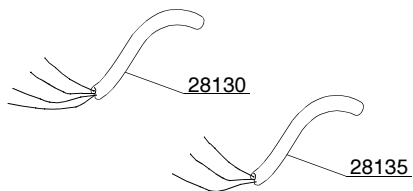
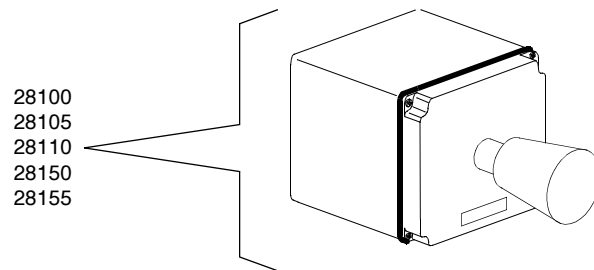
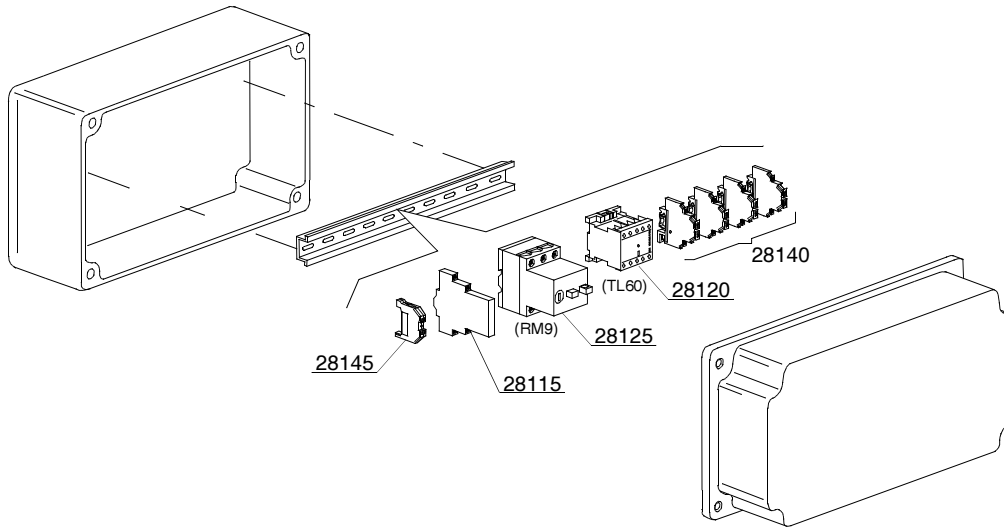
ID	P-code	Model	Type	Accessory	Voltage	Description
MODULE:Dryer motorized curve 180° - LC 97/5						
28500	3009326		22	975		Cover panel
28505	3009511		22	975		Carter



16_301_e

Spare parts

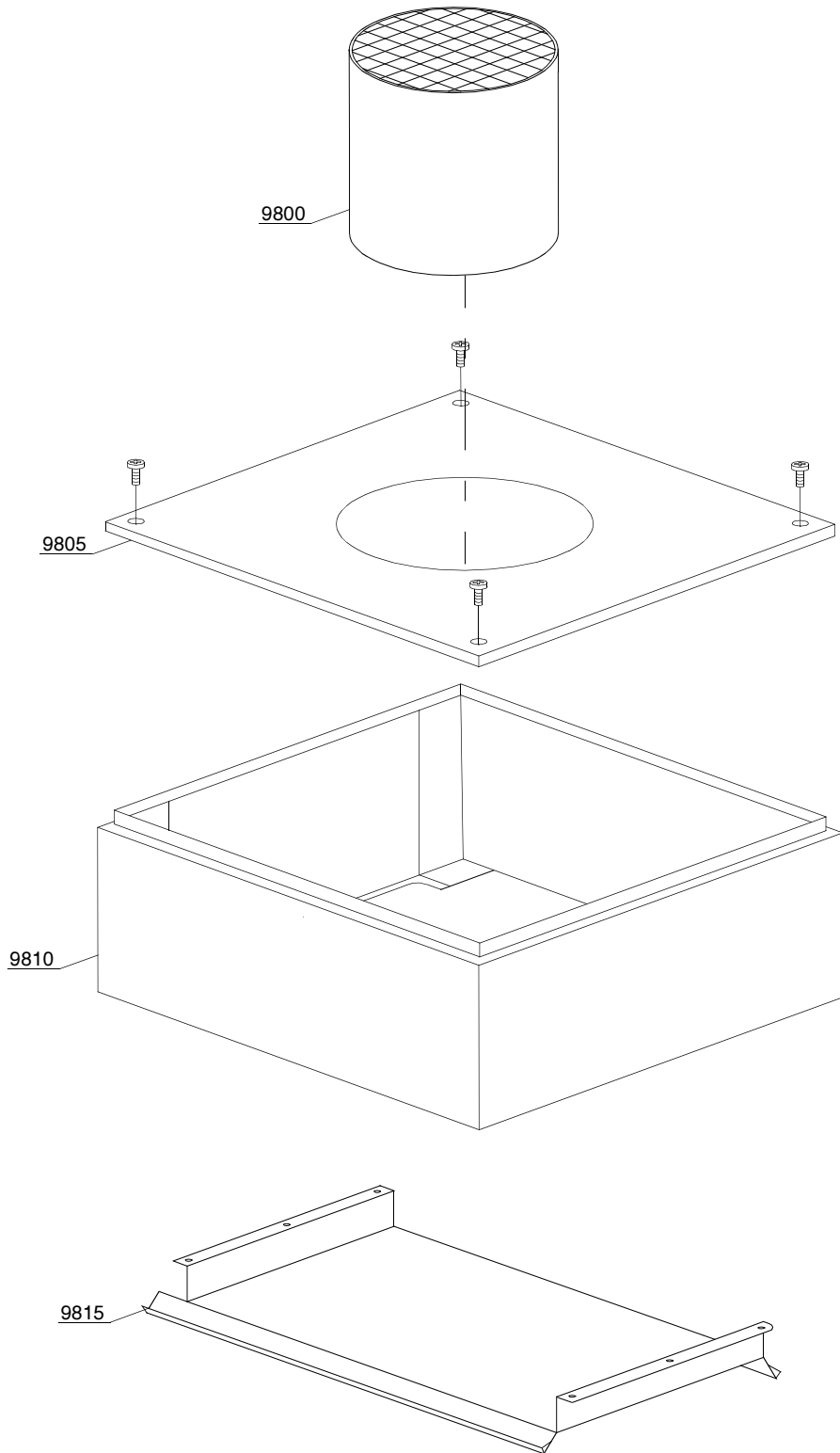
ID	P-code	Model	Type	Accessory	Voltage	Description
MODULE:Motorized curve 180° - LC 97/3: electric parts						
28000	3000264		22	973,975		Emergency box
28005	3000263		22	973,975		Emergency switch
28010	3002059		22	973,975		1R contact
28015	3006080		22	973,975		Auxiliary contact LMS25
28020	2000370		22	973,975		Contacto MC9
28025	2000390		22	973,975		Motorprotector 1 - 1.6A
28030	3006134		22	973,975		Flame-retardant cable 4x1,5mm
28035	3006136		22	973,975		Flame-retardant cable 3x1mm
28040	3000266		22	973,975		Male connector with support
28045	3000267		22	973,975		Female connector with support



16_302_e

Spare parts

ID	P-code	Model	Type	Accessory	Voltage	Description
MODULE:Motorized curve 180° - LC 97/3: electric parts single speed - remote control						
28100	3000264		22	973,975		Emergency box
28105	3000263		22	973,975		Emergency switch
28110	3002059		22	973,975		1R contact
28115	3006080		22	973,975		Auxiliary contact LMS25
28120	2000370		22	973,975		Contacto MC9
28125	2000390		22	973,975		Motorprotector 1 - 1.6A
28130	3006134		22	973,975		Flame-retardant cable 4x1,5mm
28135	3006136		22	973,975		Flame-retardant cable 3x1mm
28140	3006092		22	973,975		Clamp 4mm
28145	10300401		22	973,975		Earth clamp 4mm
28150	3000266		22	973,975		Male connector with support
28155	3000267		22	973,975		Female connector with support

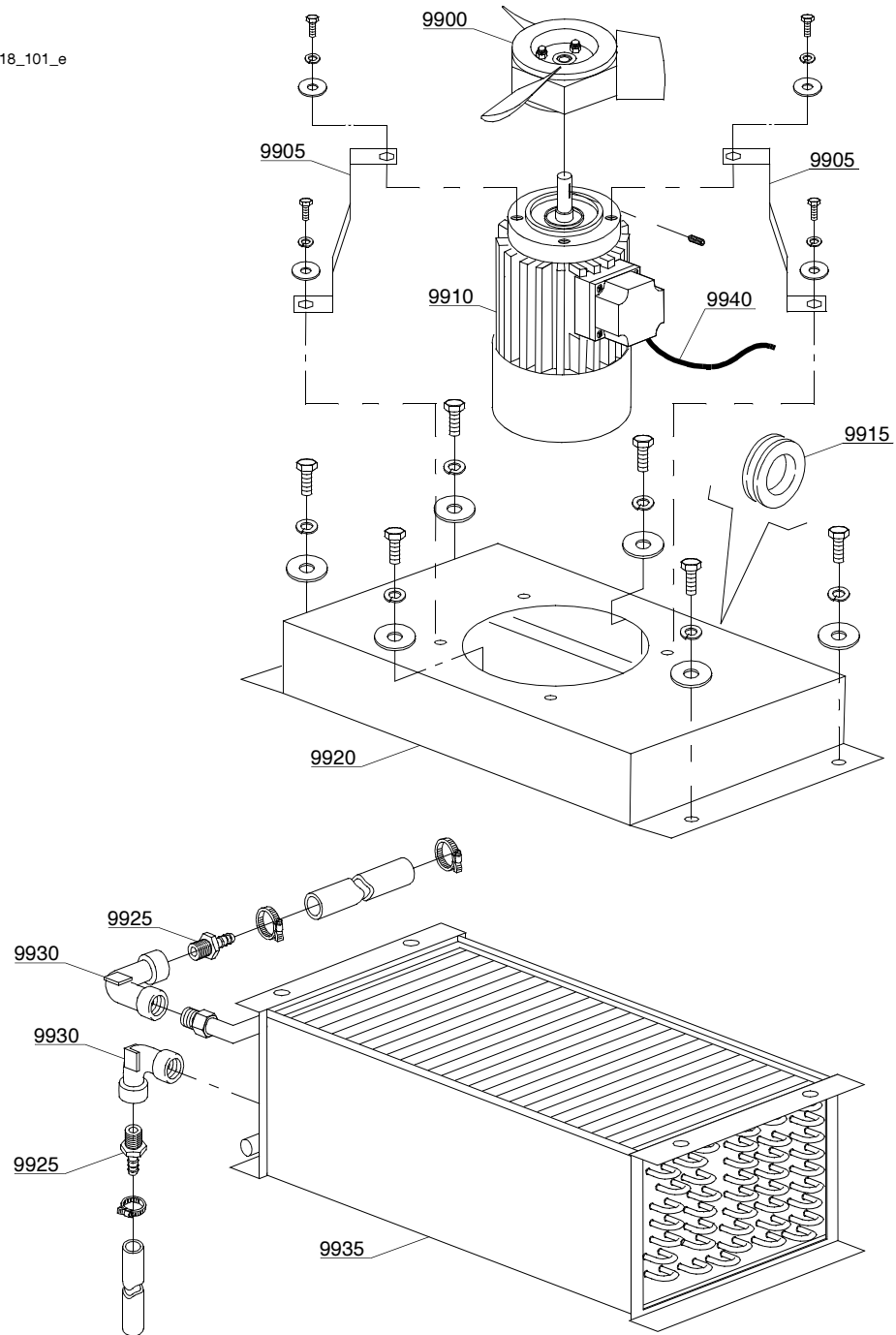


18_001_e

Spare parts

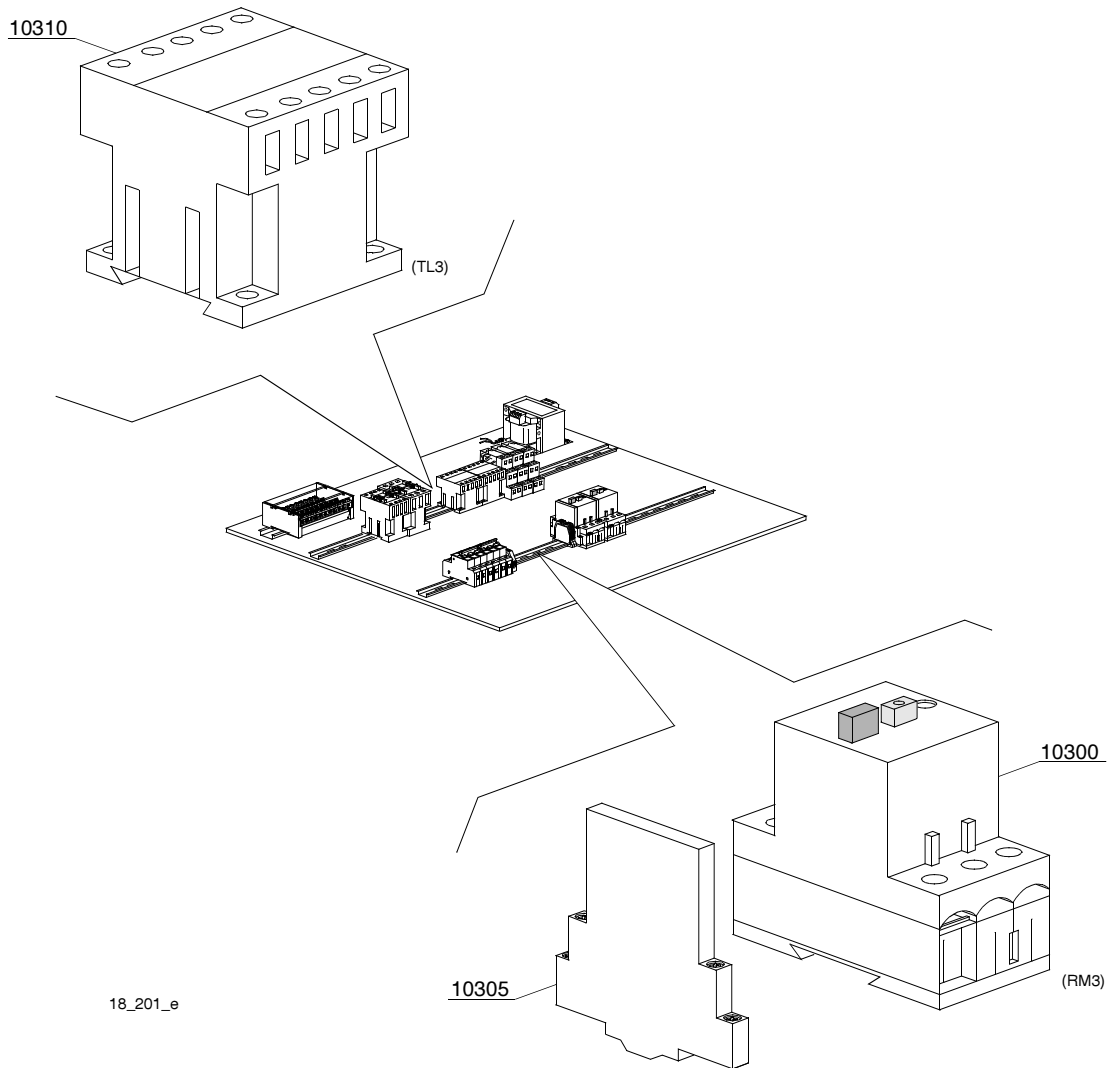
ID	P-code	Model	Type	Accessory	Voltage	Description
MODULE:Steam condenser - part 1						
9800	3009499		22	sc9		Chimney
9805	3009306		22	sc9		Cover with hole
9810	3009502		22	sc9		Complete body
9815	3009090		22	sc9		Suction group

18_101_e



Spare parts

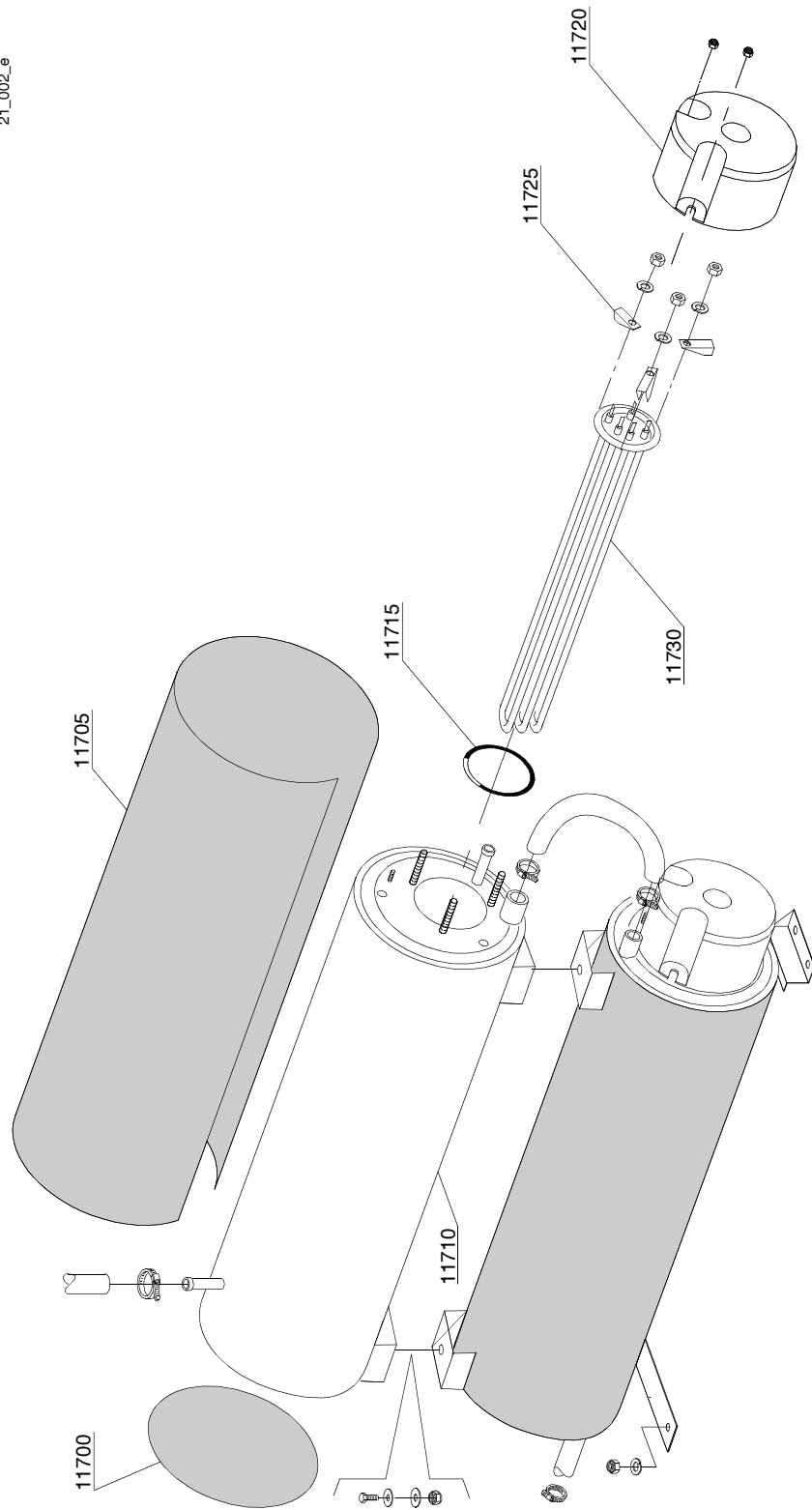
ID	P-code	Model	Type	Accessory	Voltage	Description
MODULE:Steam condenser - part 2						
9900	3000125		22	sc9		Impeller fan
9905	3009106		22	sc9		Motor holder
9910	3000120		22	sc9	A	Motor 0.18KW
9915	13329		22	sc9		Fairlead
9920	3009079		22	sc9		Steam condenser base
9925	12023		22	sc9		Hose holder
9930	3002139		22	sc9		Elbow
9935	3000155		22	sc9		Heating recovery battery
9940	15184		22	sc9		Cable



Spare parts

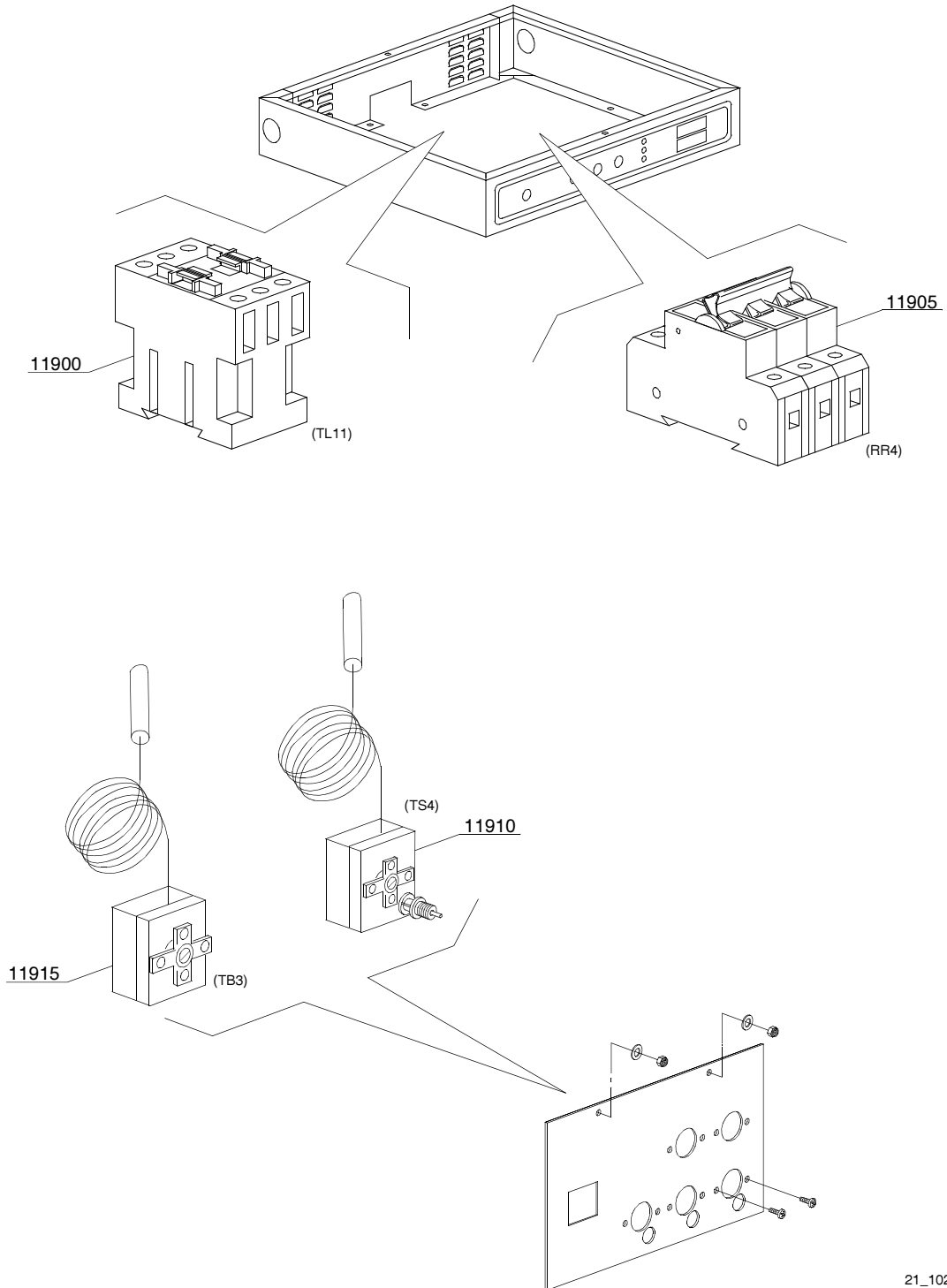
ID	P-code	Model	Type	Accessory	Voltage	Description
MODULE:Steam condenser - part 3						
10300	2000390		22	sc9	A	Motorprotector 1 - 1.6A
10305	3006080		22	sc9	A	Auxiliary contact LMS25
10310	2000370		22	sc9	A	Contactore MC9

21_002_e



Spare parts

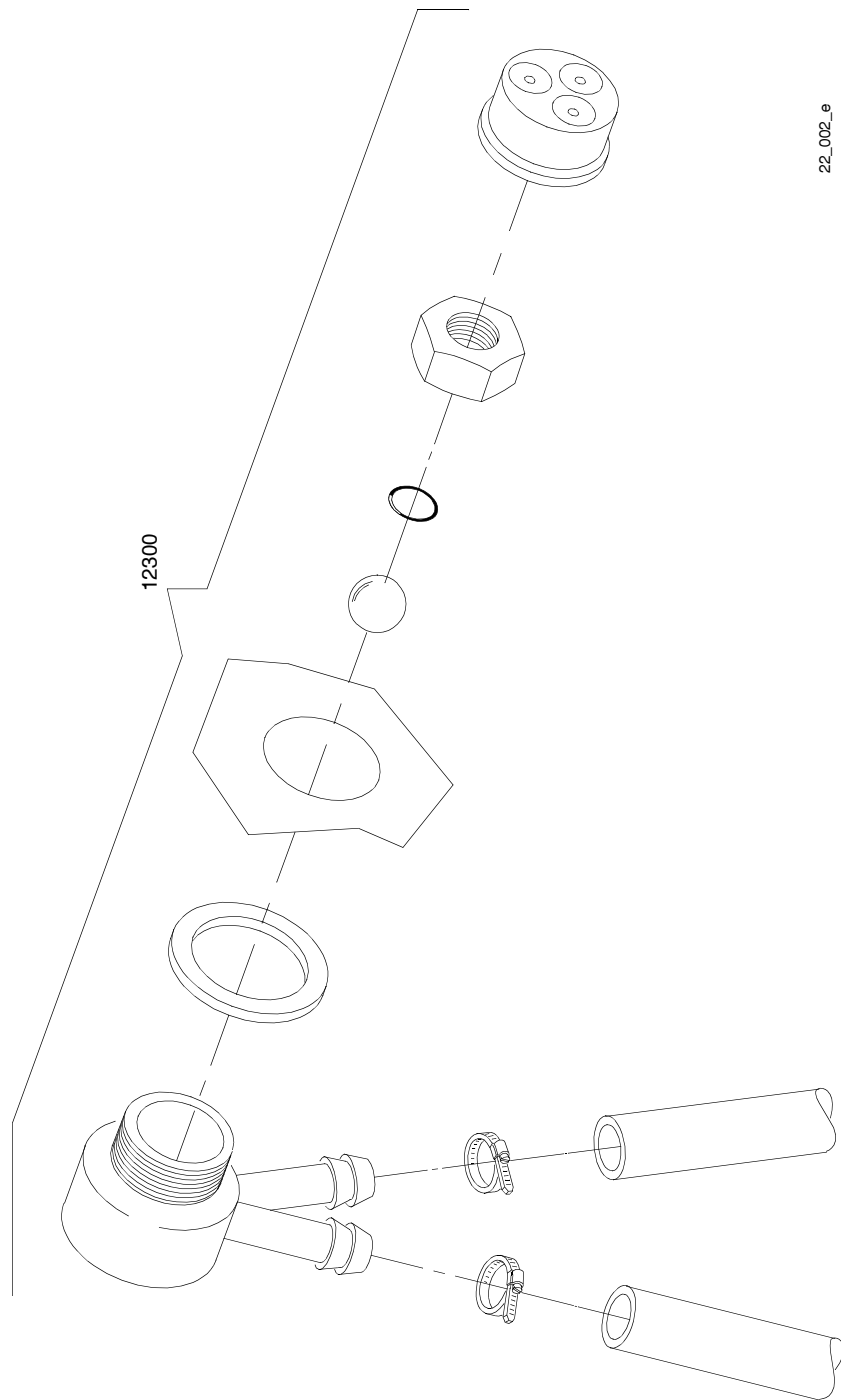
ID	P-code	Model	Type	Accessory	Voltage	Description
MODULE:Additional boiler components						
11700	75205		22	cw		Bottom boiler insulating
11705	30002030		22	cw		Boiler insulating
11710	3007013		22	cw		Boiler
11715	13015		22	cw		O-ring 160 (6225)
11720	75311		22	cw		Heating element cover
11725	16045		22	cw		Heating element support Ø6,3
11730	30001011		22	cw	A	Heating element 9kW
11730	30001011/A		22	cw	A	Heating element 12kW
11730	30001011/B		22	cw	A	Heating element 14kW



21_102_e

Spare parts

ID	P-code	Model	Type	Accessory	Voltage	Description
MODULE:Additional boiler: electrical components						
11900	2000380		22	cw	A	Contactactor BF12 (heating element < 9 kW)
11900	2000385		22	cw	A	Contactactor BF20 (heating element > 9 kW)
11905	2000403		22	cw	A	Automatic fuse C20 (heating element < 9 kW)
11905	2000404		22	cw	A	Automatic fuse C25 (heating element > 9 kW)
11910	2000430		22	cw		Safety thermostat
11915	10707/1		22	cw		Thermostat 0 - 90° (TB2)

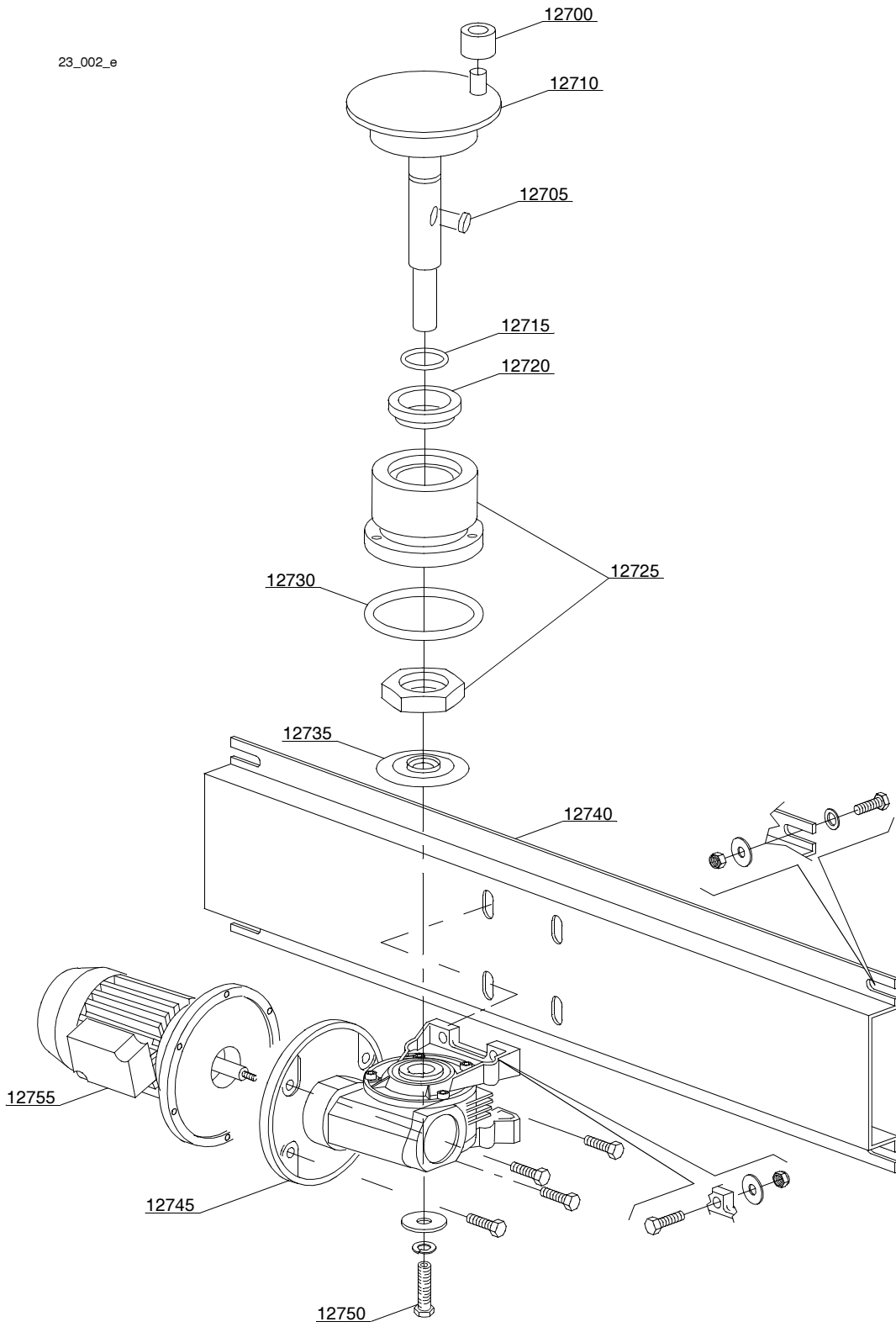


22_002_e

Spare parts

ID	P-code	Model	Type	Accessory	Voltage	Description
MODULE:DVGW valve						
12300	999900006		22	dvgw		DVGW valvola assembly

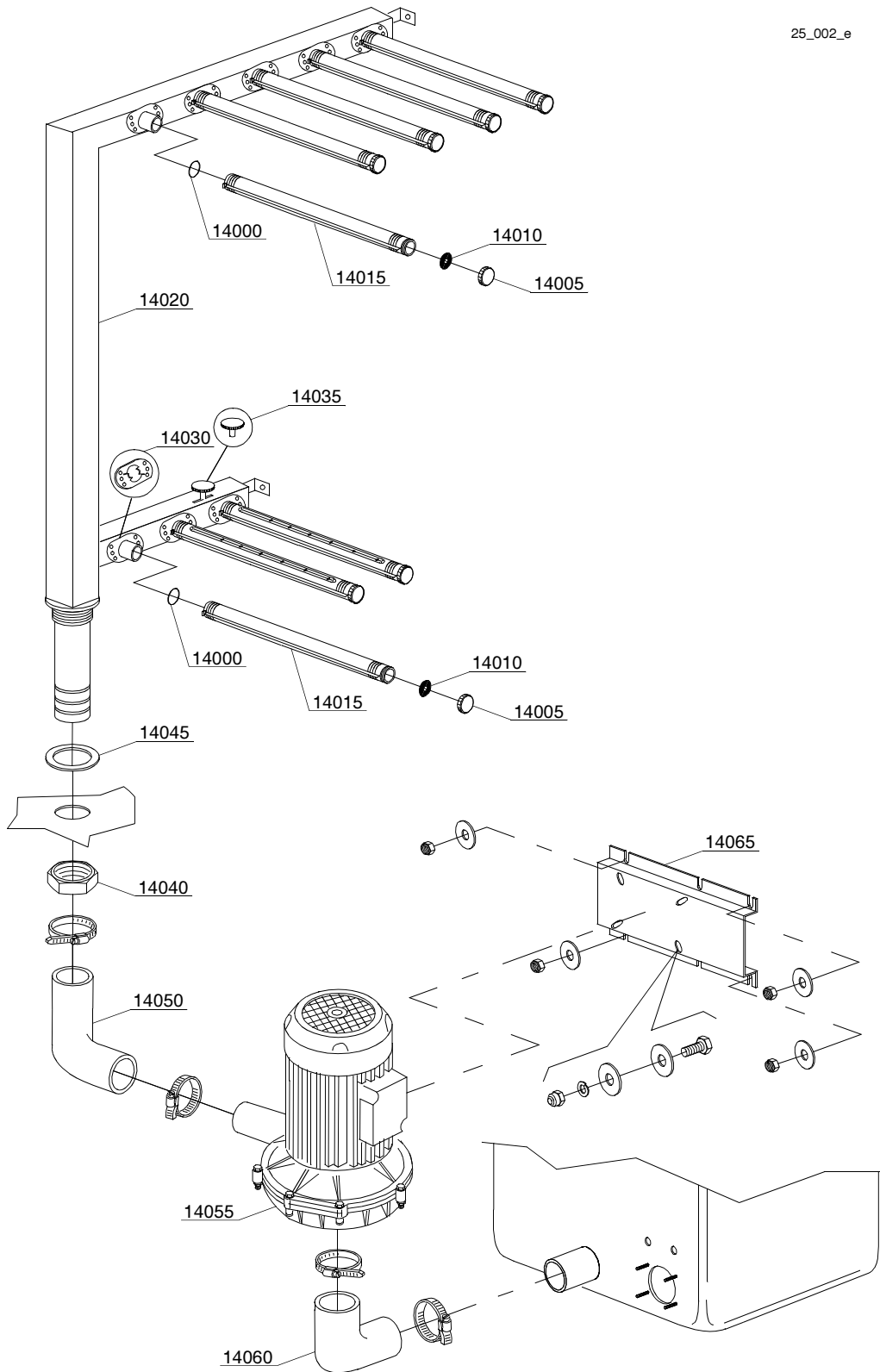
23_002_e



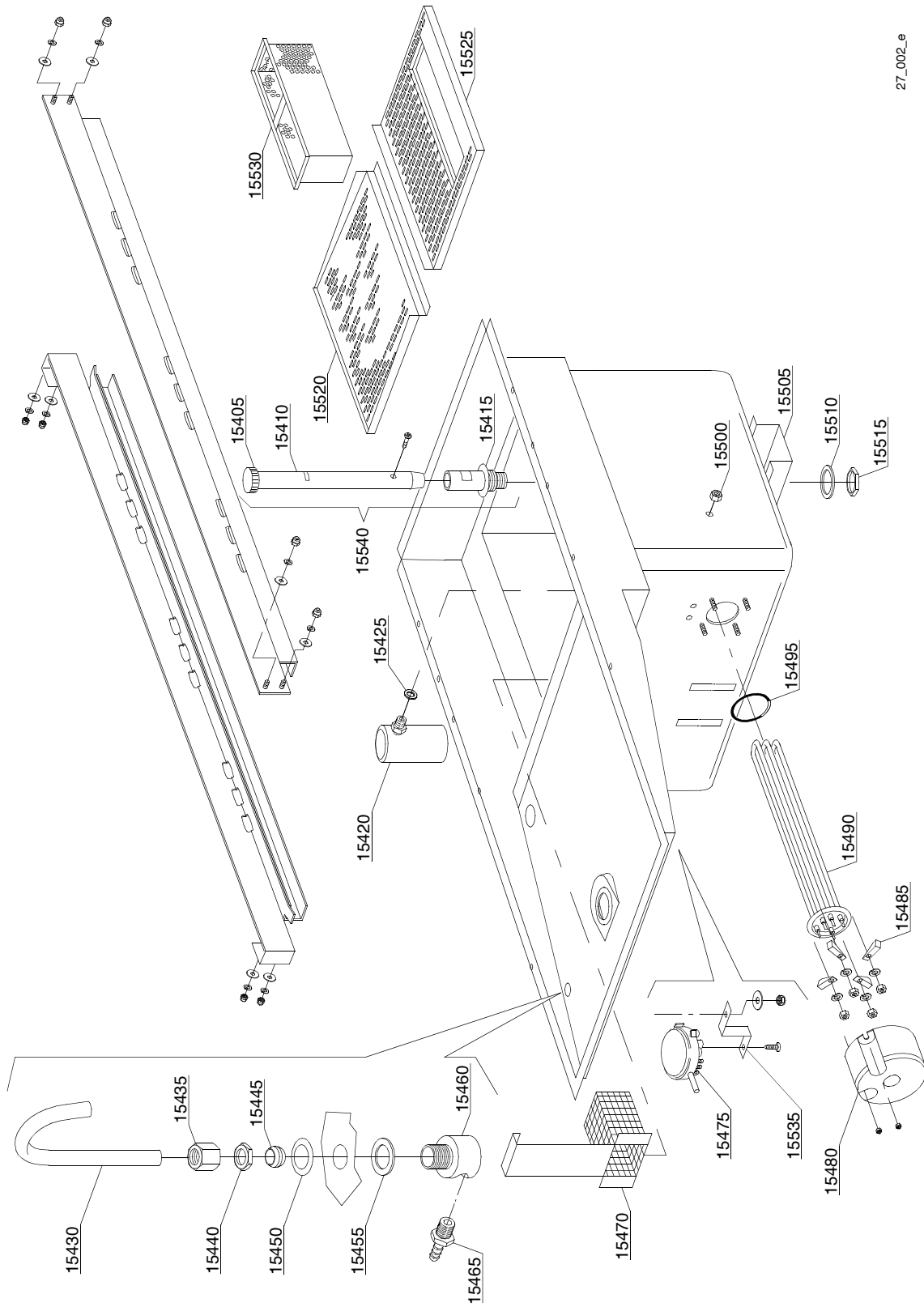
Spare parts

ID	P-code	Model	Type	Accessory	Voltage	Description
MODULE:Motorgear components module 1300						
12700	3003012		22			Conveyor roller
12705	2001046		22			Key
12710	3003116		22			Crank shaft
12715	13023		22			O-ring 131 (4093)
12720	13024		22			Oil splash guard DEM 40 TC 30x42x7 with spring
12725	3004131		22			Coupling part serie
12730	13015		22			O-ring 160 (6225)
12735	3004161		22			Protection disk
12740	3009060		22			Motorgear support
12745	3000210		22			Gear right 1:80
12745	3000211		22			Gear left 1:80
12750	11165		22			Screw
12755	3000102		22		A	Conveyor motor

25_002_e



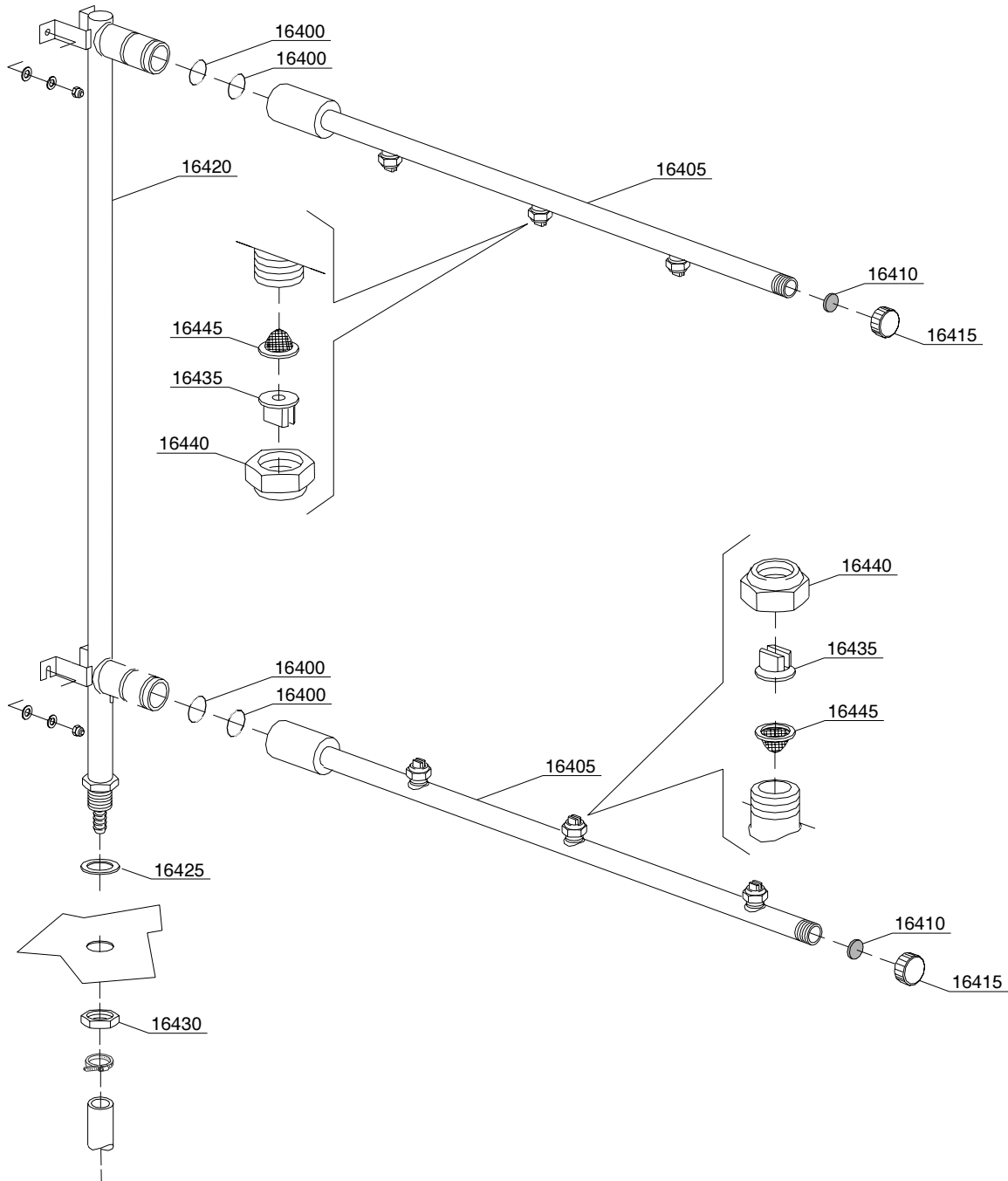
ID	P-code	Model	Type	Accessory	Voltage	Description
MODULE:Washing components 5+3						
14000	13023		22			O-ring 131 (4093)
14005	80304		22			Arm plug
14010	80305		22			Gasket
14015	3004147		22			Wash arm
14020	3004142		22			Right wash ramp
14020	3004143		22			Left wash ramp
14030	3004148		22			Arm connection flange
14035	3004146		22			Water flow adjuster
14040	10600012		22			Flat nut
14045	10200173/A		22			Gasket 75x58x3
14050	3004025		22			Elbow coupling press.
14055	22037		22		A	Pump 1.5 kW
14055	22037/3		22		H	Pump 1.5 kW - 60 Hz
14060	3002020		22			Suction elbow coupling
14065	3009148		22			Pump support



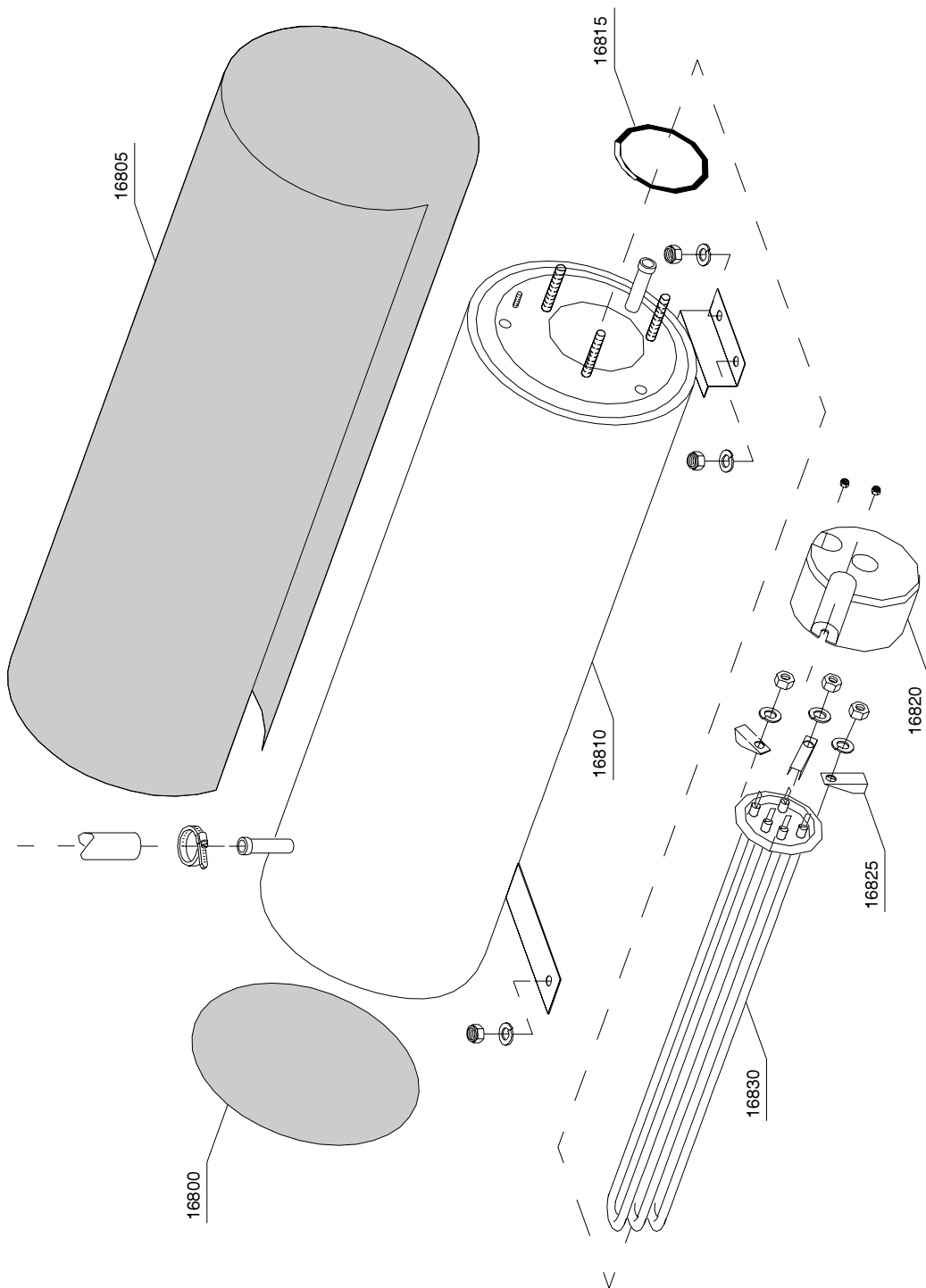
27_002_e

ID	P-code	Model	Type	Accessory	Voltage	Description
MODULE:Internal components washing module 1300						
15405	88105		22			Overflow pipe plug
15410	3004094		22			Overflow pipe
15410	2000477		22			Overflow pipe
15415	3004099		22			Overflow device support
15420	80106		22			Air trap
15425	13301		22			Gasket ROLMART 14x8x1.5
15430	3004054		22			Inlet pipe
15435	10600016		22			Nut
15440	10200101		22			Nut
15445	10200182		22			Cone
15450	3009387		22			Washer
15455	10200171		22			Gasket FASIT 25x17x2
15460	80231		22			Fitting
15465	12005		22			Hose holder
15470	3019071		22			Pump suction-filter
15475	88110		22			Pressure switch (260-30)
15480	75311		22			Heating element cover
15485	16045		22			Heating element support Ø6.3
15490	30001011		22		A	Heating element 9kW
15490	30001011/A		22		A	Heating element 12kW
15490	30001011/B		22		A	Heating element 14kW
15495	13015		22			O-ring 160 (6225)
15500	11702		22			Nut
15505	3009299		22			Tank support
15510	10200173		22			Gasket 75x58x3
15515	10600012		22			Flat nut
15520	3009567		22			Strainer plate, back
15525	3019074		22			Strainer plate front
15530	3019065		22			Scrap tray
15535	3009363		22			Pressure switch support
15540	3004101		22			Overflow pipe assembly
15540	3004115		22			Overflow pipe assembly

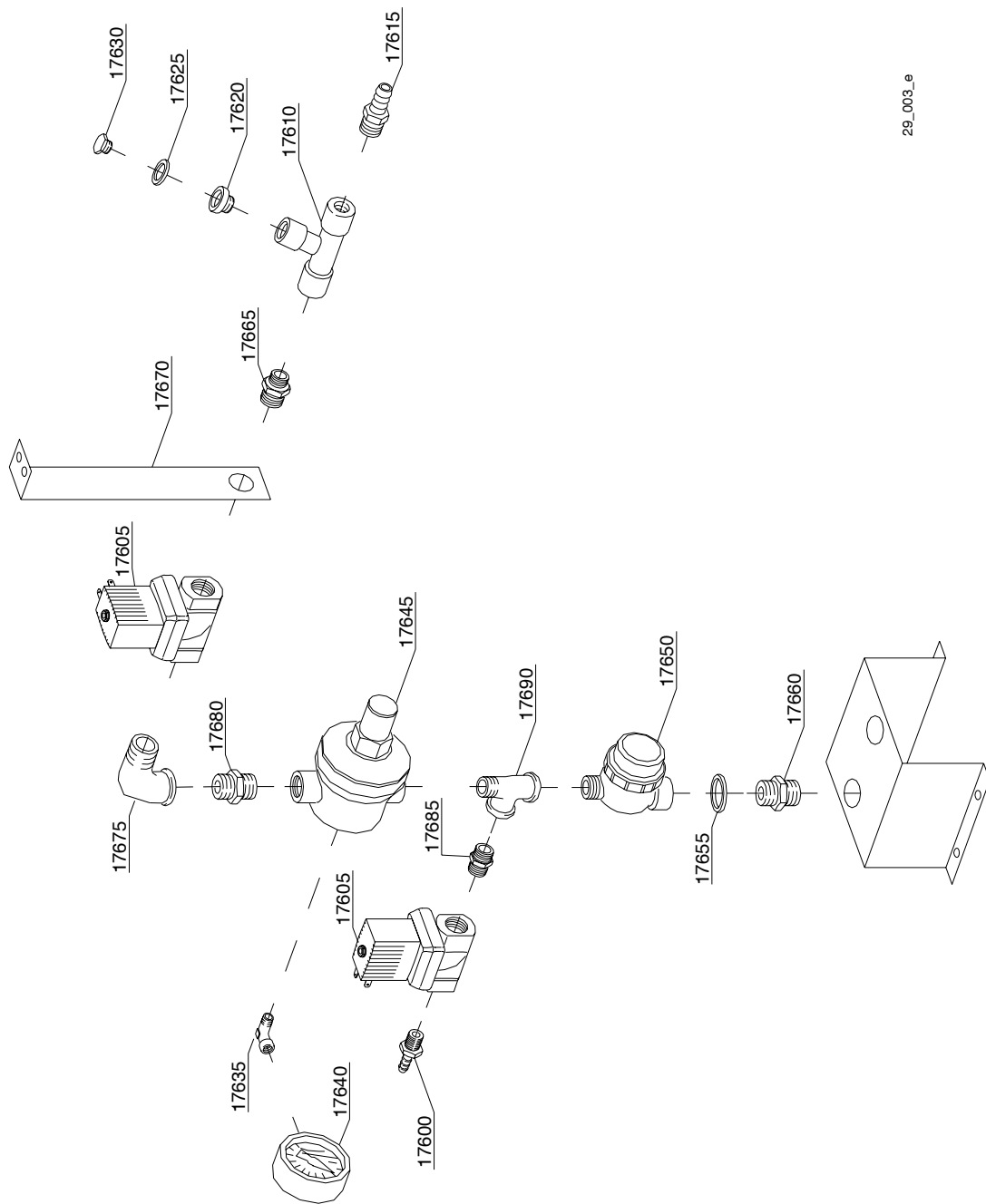
28_001_e



ID	P-code	Model	Type	Accessory	Voltage	Description
MODULE:Rinsing components						
16400	13025		22			O-ring 2081
16405	3003902		22			Rinsing arm 3 nozzle
16410	2002051		22			Gasket EPDM 17.5x1.5
16415	2002054		22			Plug for arm
16420	3003954		22			Rinsing ramp
16425	13326		22			Gasket 38x27x2
16430	2200103		22			Nut
16440	2200116		22			Nut
16445	2200117		22			Filter



28_201_e

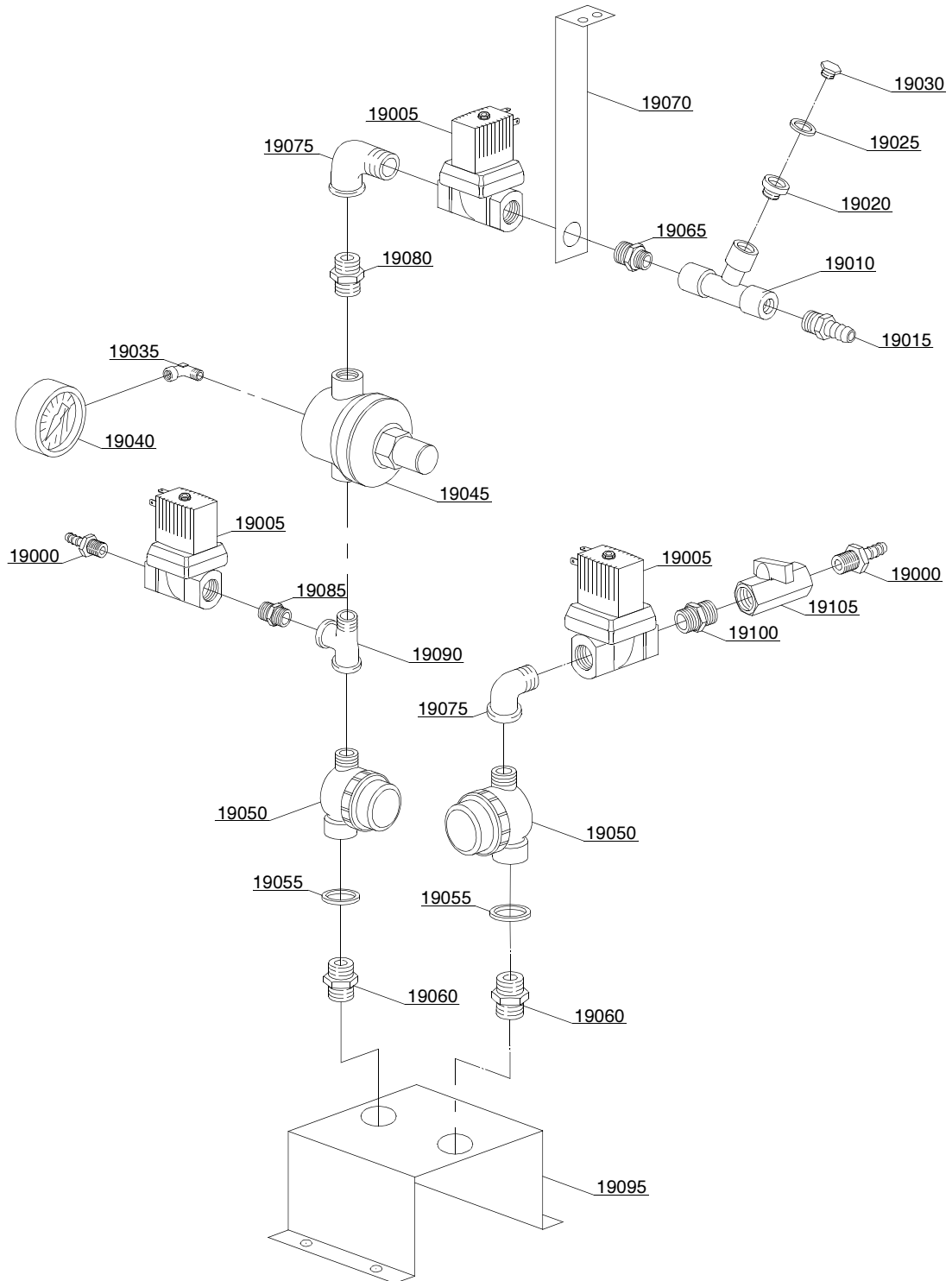


29_003_e

Spare parts

ID	P-code	Model	Type	Accessory	Voltage	Description
MODULE:Solenoid valves components: tank loading + rinsing						
17600	12023		22			Hose holder
17605	3002030		22			Solenoid valve
17610	12008		22			Connection T
17615	12005		22			Hose holder
17620	12032		22			Reduction nipples
17625	13309		22			Gasket 14x10x1.5
17630	12002		22			Plug
17635	12012		22			Elbow
17640	2000244		22			Pressure reduction gauge
17645	2000364		22			Pressure reduction valve
17650	2000121		22			Filter
17655	13326		22			Gasket 38x27x2
17660	12025		22			Nipples
17665	12033		22			Nipples
17670	3009585		22			Solenoid valve support
17675	3002141		22			Elbow
17680	10200208		22			Nipples
17685	3002145		22			Reduction nipples
17690	3002144		22			Connection T
MODULE:Solenoid valves components: tank loading + rinsing						
17600	12023		22	d9,d92,974,975		Hose holder
17605	3002030		22	d9,d92,974,975		Solenoid valve
17610	12008		22	d9,d92,974,975		Connection T
17615	12005		22	d9,d92,974,975		Hose holder
17620	12032		22	d9,d92,974,975		Reduction nipples
17625	13309		22	d9,d92,974,975		Gasket 14x10x1.5
17630	12002		22	d9,d92,974,975		Plug
17635	12012		22	d9,d92,974,975		Elbow
17640	2000244		22	d9,d92,974,975		Pressure reduction gauge
17645	2000364		22	d9,d92,974,975		Pressure reduction valve
17650	2000121		22	d9,d92,974,975		Filter
17655	13326		22	d9,d92,974,975		Gasket 38x27x2
17660	12025		22	d9,d92,974,975		Nipples
17665	12033		22	d9,d92,974,975		Nipples
17670	3009585		22	d9,d92,974,975		Solenoid valve support
17675	3002141		22	d9,d92,974,975		Elbow
17680	10200208		22	d9,d92,974,975		Nipples
17685	3002145		22	d9,d92,974,975		Reduction nipples
17690	3002144		22	d9,d92,974,975		Connection T
			22			

29_004_e

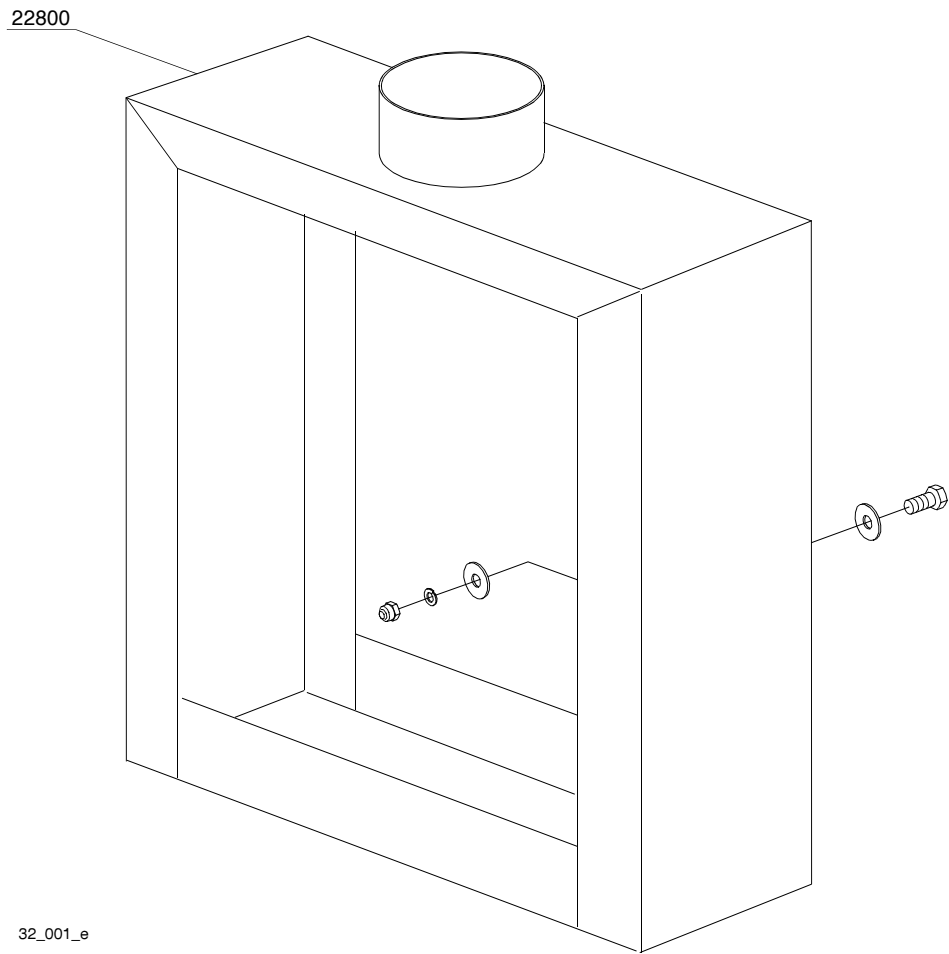


Spare parts

ID	P-code	Model	Type	Accessory	Voltage	Description
MODULE:Solenoid valves components: tank loading + rinsing + steam condenser						
19000	12023		22	sc9		Hose holder
19005	3002030		22	sc9		Solenoid valve
19010	12008		22	sc9		Connection T
19015	12005		22	sc9		Hose holder
19020	12032		22	sc9		Reduction nipples
19025	13309		22	sc9		Gasket 14x10x1.5
19030	12002		22	sc9		Plug
19035	12012		22	sc9		Elbow
19040	2000244		22	sc9		Pressure reduction gauge
19045	2000364		22	sc9		Pressure reduction valve
19050	2000121		22	sc9		Filter
19055	13326		22	sc9		Gasket 38x27x2
19060	12025		22	sc9		Nipples
19065	12033		22	sc9		Nipples
19070	3009585		22	sc9		Solenoid valve support
19075	3002141		22	sc9		Elbow
19080	10200208		22	sc9		Nipples
19085	3002145		22	sc9		Reduction nipples
19090	3002144		22	sc9		Connection T
19095	3009220		22	sc9		Solenoid valve support
19100	12027		22	sc9		Nipples
19105	3002140		22	sc9		Tap

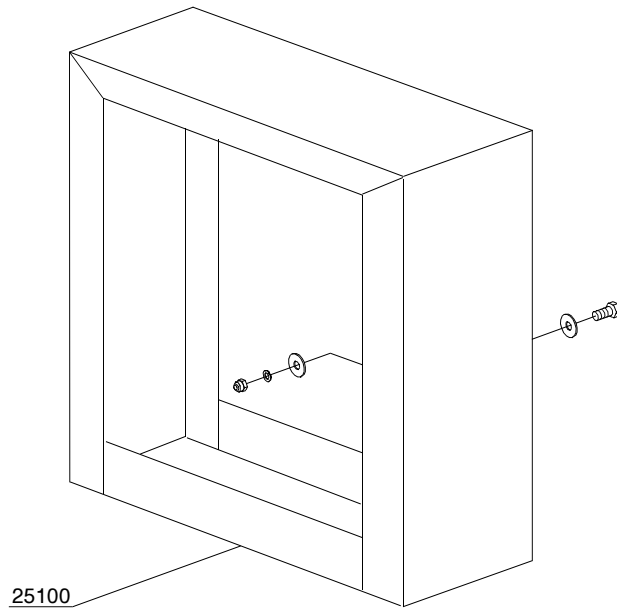
Spare parts

ID	P-code	Model	Type	Accessory	Voltage	Description
MODULE:Conveyor parts						
22700	11109		22			Screw
22705	11185		22			Washer
22710	11609		22			Split washer
22715	11719		22			Nut
22720	3003024		22			Washer
22725	3003025		22			Bush
22730	3003026		22			Bush
22735	3003100		22			Clip right
22740	3003101		22			Clip left
22745	3003010		22			Axis
22750	3009107		22			Guide



Spare parts

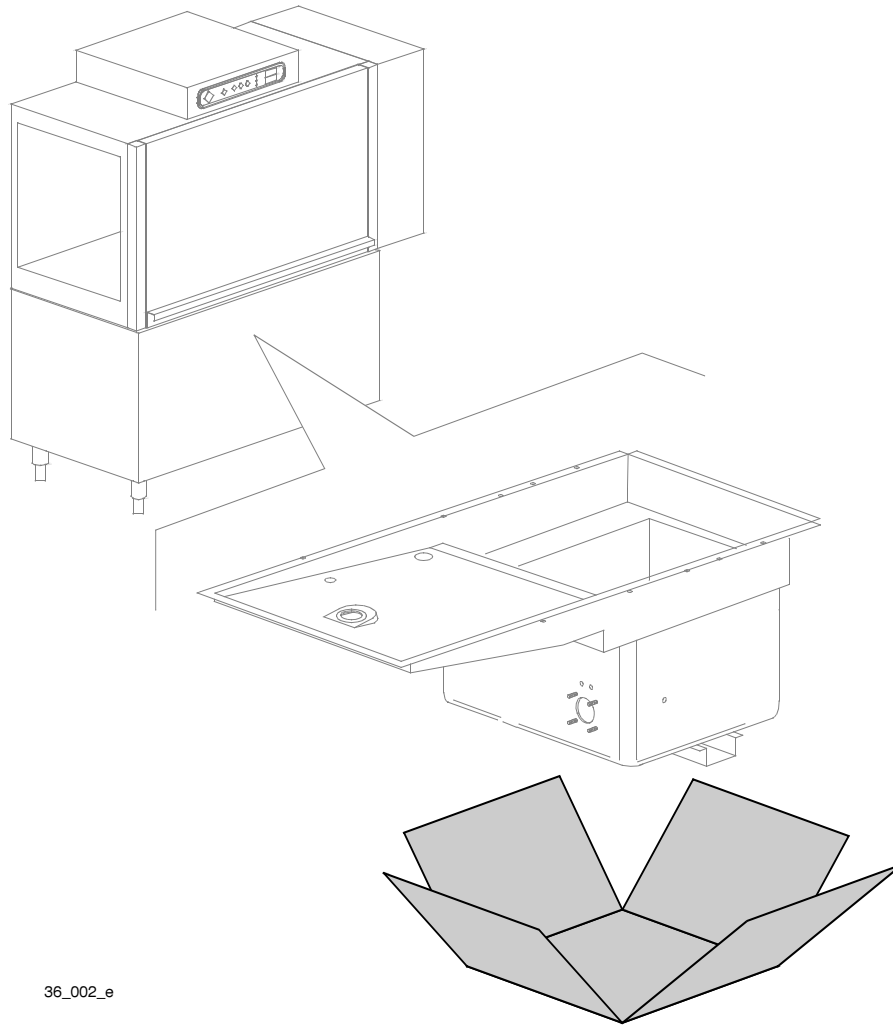
ID	P-code	Model	Type	Accessory	Voltage	Description
MODULE: Splash zone with cilinder - LC94						
22800	999910065		22	szc9		Splash zone with cilinder LC94



35_001_e

Spare parts

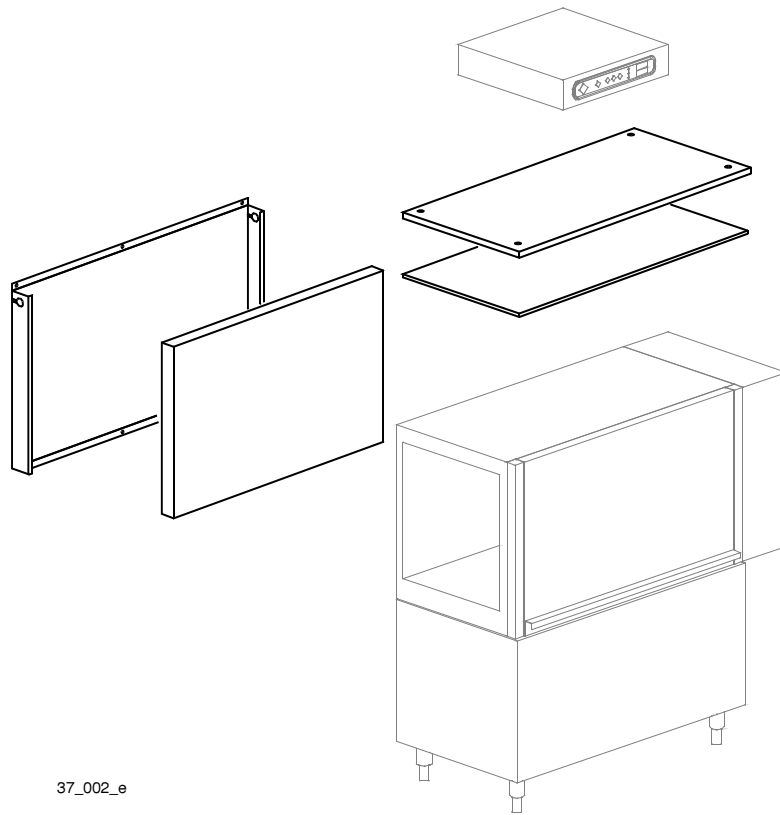
ID	P-code	Model	Type	Accessory	Voltage	Description
MODULE: Splash zone - LC93						
25100	999910060		22	sz9		Splash zone



36_002_e

Spare parts

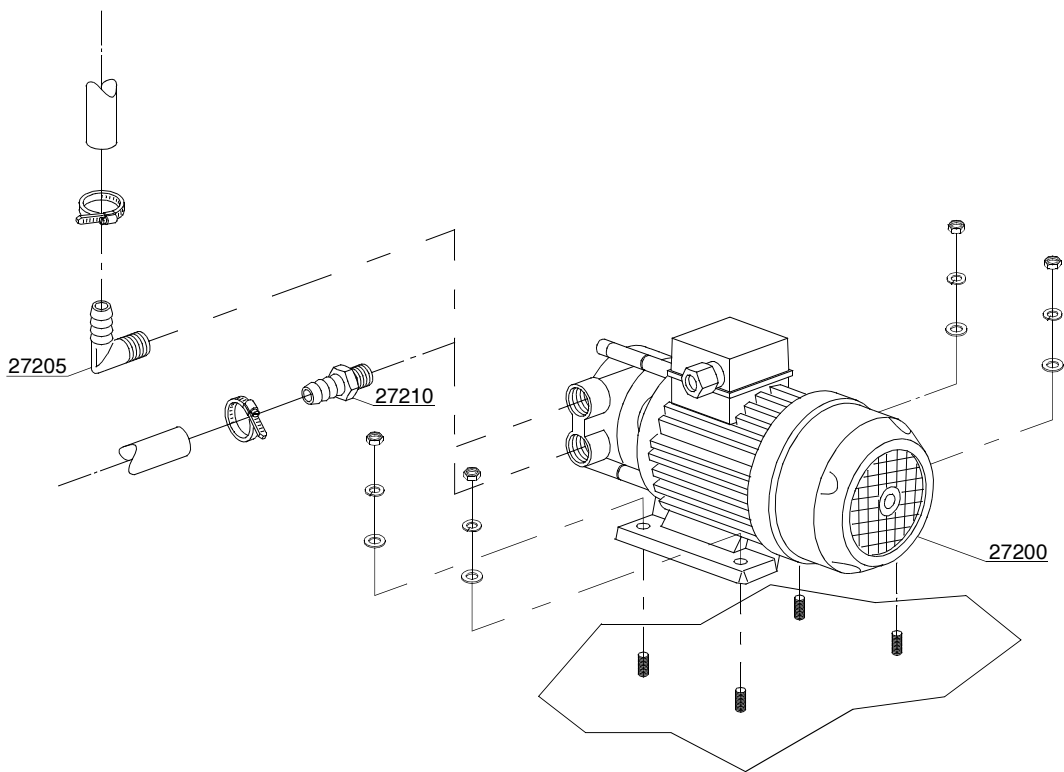
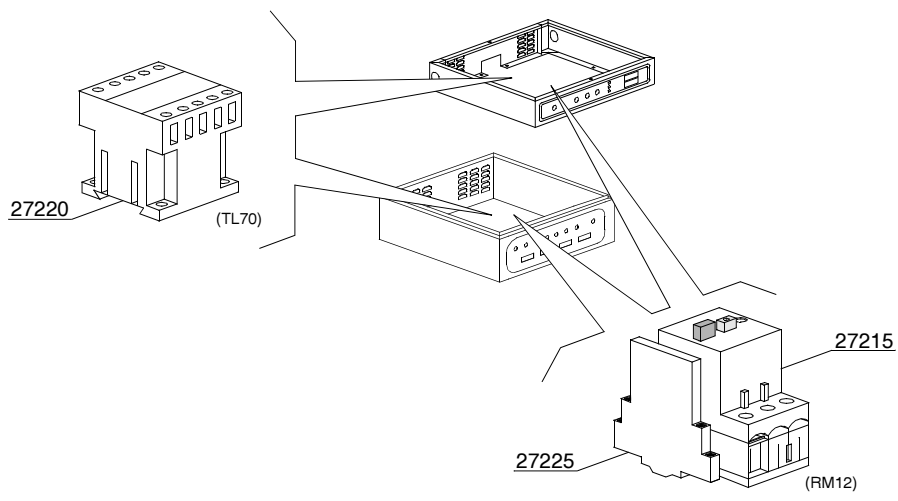
ID	P-code	Model	Type	Accessory	Voltage	Description
MODULE:Tank insulation						
	999910207		22	ti		Tanks insulation
N.B.: kit suppliable only togeter with the machine, not after						



37_002_e

Spare parts

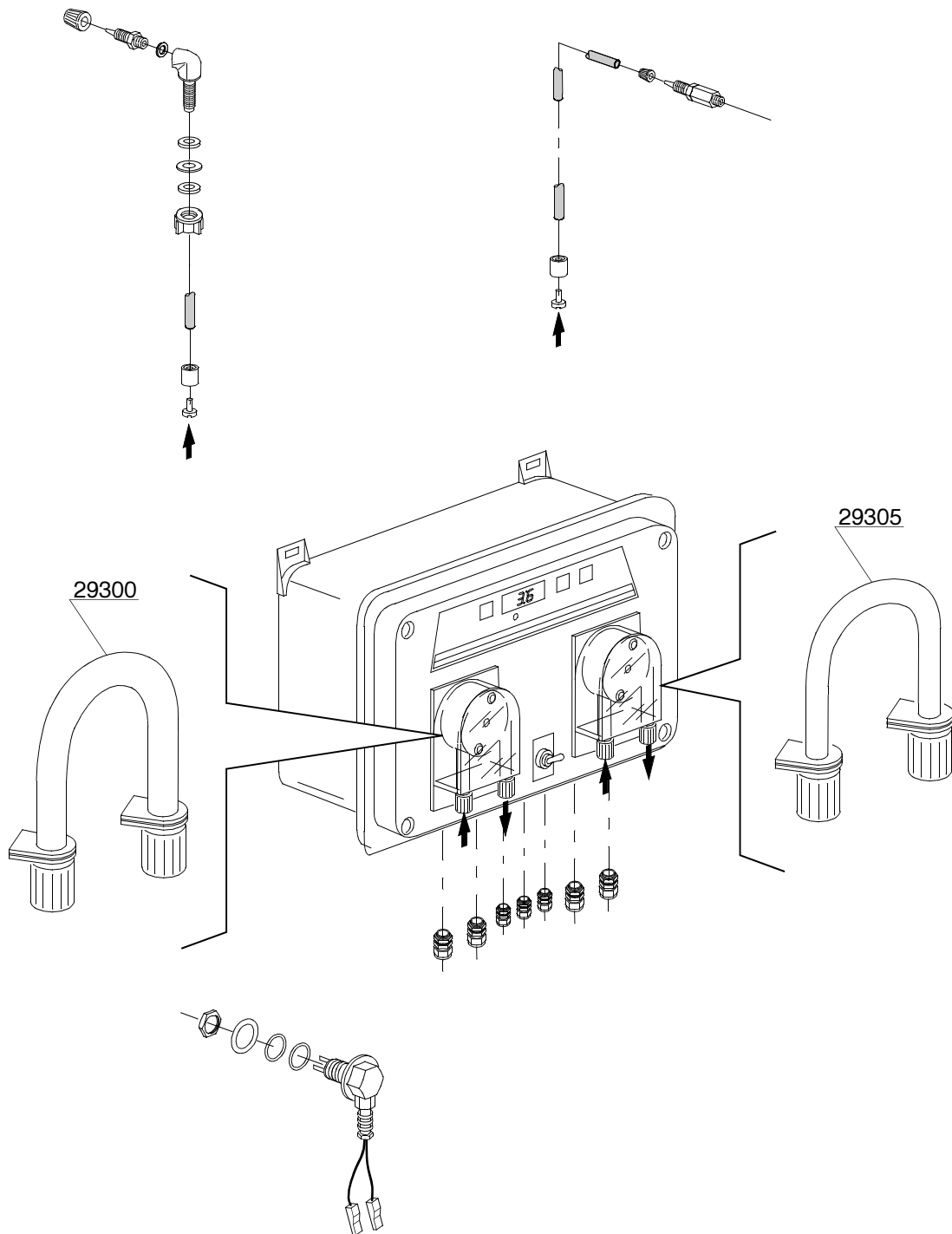
ID	P-code	Model	Type	Accessory	Voltage	Description
MODULE:Double skin						
	999910206		22	ds		Double skin assembly
N.B.: kit suppliable only togeter with the machine, not after						



38_001_e

Spare parts

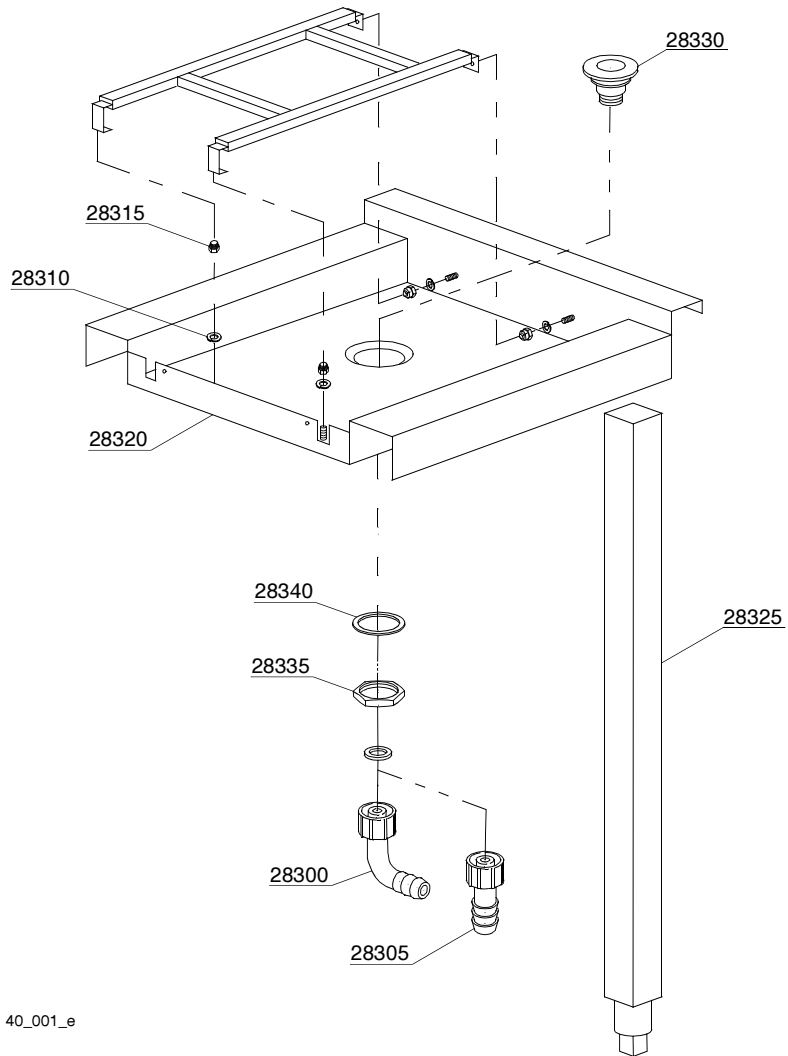
ID	P-code	Model	Type	Accessory	Voltage	Description
MODULE:Booster pump						
27200	15100		22	bp		Booster pump
27205	12030		22	bp		Elbow pipe fitting
27210	10221311		22	bp		Pipe fitting
27215	2000394		22	bp		Motorprotector 2,5-4A
27220	2000370		22	bp		Contactora MC9
27225	3006080		22	bp		Auxiliary contact LMS25



39_001_e

Spare parts

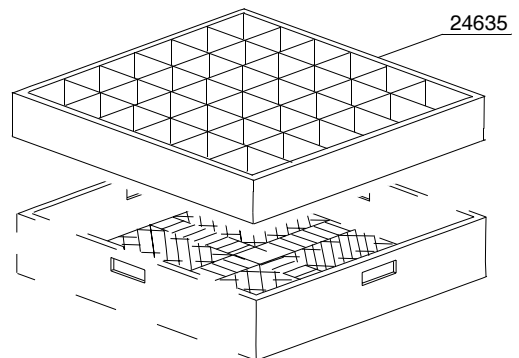
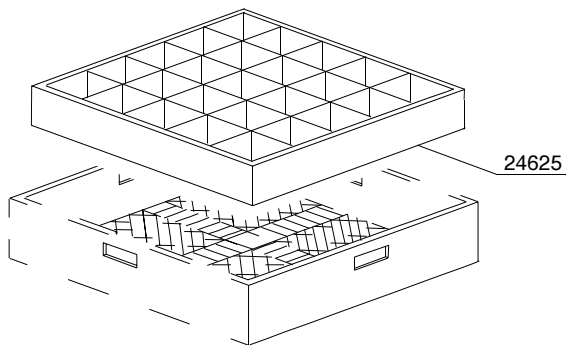
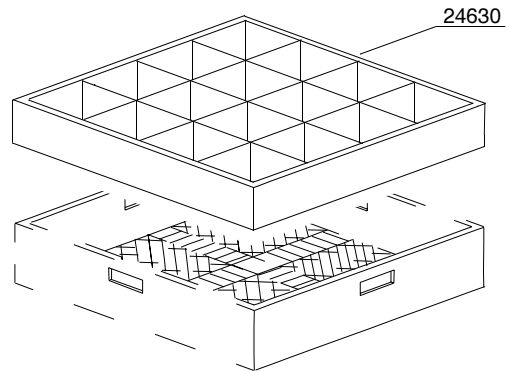
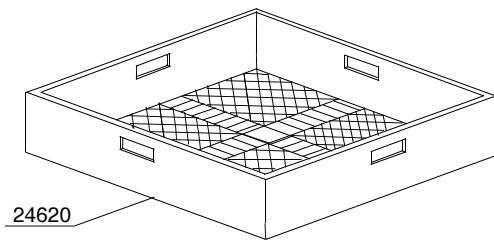
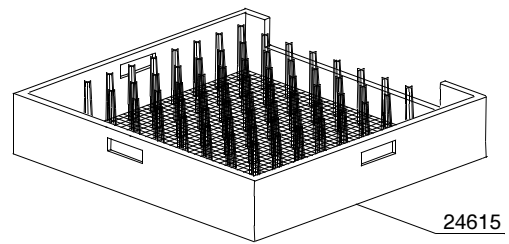
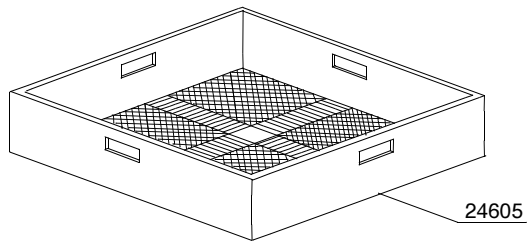
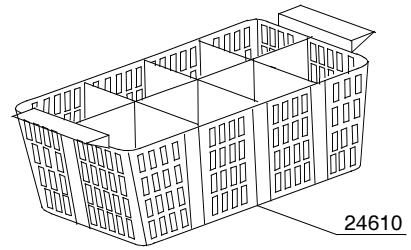
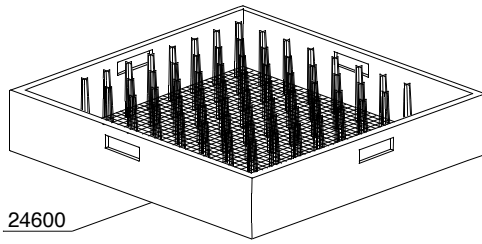
ID	P-code	Model	Type	Accessory	Voltage	Description
MODULE:Dispensers SDN-3						
	15181		22	sdn3		Dispensers assembly SDN-3
29300	15185		22	sdn3		Pipe fitting for detergent dispenser
29305	15186		22	sdn3		Pipe fitting for rinse dispenser



40_001_e

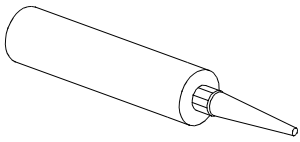
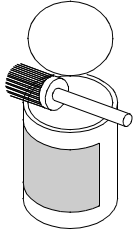
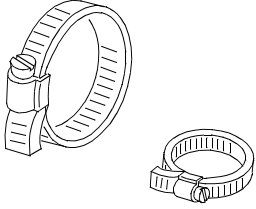
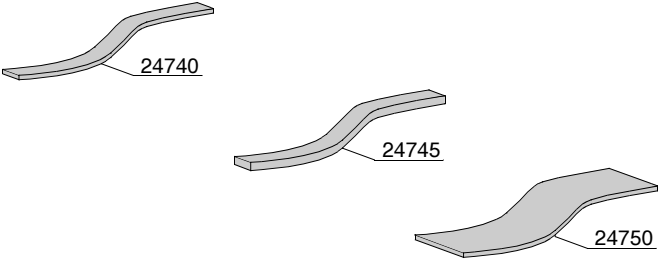
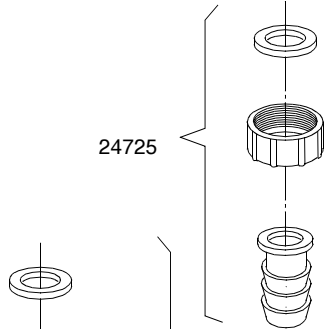
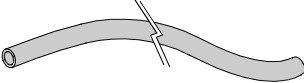
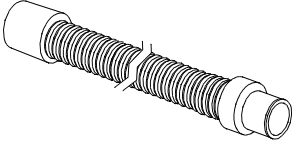
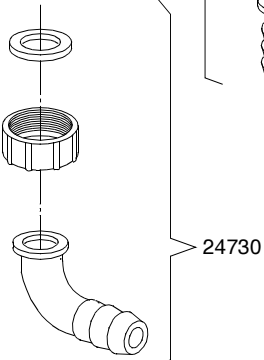
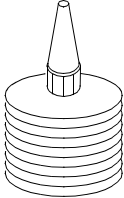
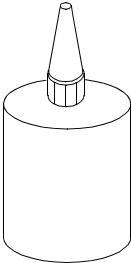
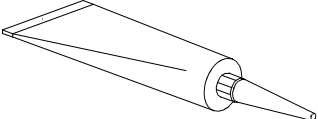
Spare parts

ID	P-code	Model	Type	Accessory	Voltage	Description
MODULE:Angle loading table 90° - LC 98						
28300	15613		22	98		"1"" 1/4x30 nylon elbow"
28305	15613/A		22	98		Fitting exauster
28310	3003024		22	98		Washer
28315	3003025		22	98		Bush
28320	3009250		22	98		Platform
28325	3009608		22	98		Leg assembly
28330	10200113		22	98		Floor drain
28335	10200114		22	98		Floor drain nut
28340	10200173		22	98		Gasket 75x58x2



00_001_e

ID	P-code	Model	Type	Accessory	Voltage	Description
MODULE:Baskets						
24600	C40		22			Place conveyor basket
24605	C41		22			Tight mesh conveyor basket for cutlery
24610	C47		22			Small 8 place cutlery basket
24615	C43		22			535mm tray conveyor basket
24620	C44		22			Mod.07 universal conveyor basket
24625	C112		22			5x5 vertical glass conveyor basket
24630	C113		22			4x4 vertical glass conveyor basket
24635	C114		22			6x6 vertical glass conveyor basket

 <p>24700</p>	 <p>24705</p>	 <p>24760</p>
 <p>24740</p> <p>24745</p> <p>24750</p>		 <p>24725</p>
 <p>24755</p>	 <p>24735</p>	 <p>24730</p>
 <p>24765</p>	 <p>24770</p>	 <p>24775</p>

Spare parts

ID	P-code	Model	Type	Accessory	Voltage	Description
MODULE:Accessory						
24700	---		22			Silicone UNI 9610 - UNI 9611
24705	---		22			Grease for higt temperatures CCIAA 629224
24705	---		22			Grease for food - Loctite 8104 Cat. N° 26560
24725	15613/A		22			Fitting exauster
24730	15613		22			"1"" 1/4x30 nylon elbow"
24735	10727		22			Exauster pipe Ø 24mm
24735	10200112		22			Exauster pipe Ø 32mm
24740	15750		22			20x2 self-stick mousse
24745	15751		22			20x4 self-stick mousse
24750	15752		22			60x2 self-stick mousse
24755	2907350		22			Flexible pipe EPDM Ø12
24755	2907352		22			Flexible pipe EPDM Ø12 - WRAS
24755	2907353		22			Flexible pipe EPDM Ø12
24760	2902050		22			Steel hose clamp 15/24
24760	11806		22			Steel hose clamp 25/40
24760	11810		22			Steel hose clamp 40/60
24760	11824		22			Steel hose clamp 50/70
24760	2902491		22			Steel hose clamp 60/80
24765	---		22			-50°C +150°C threads dope
24770	---		22			Loctite 542 Cat.N° 54246 - DIN-DVGW 86.02 e 125
24770	---		22			Loctite 243 Cat.N° 18937 - 19386
24775	---		22			Loctite 511 Cat.N° 24003 - DIN-DVGW 86.01 e 125
24775	---		22			Loctite 577 Cat.N° 25392