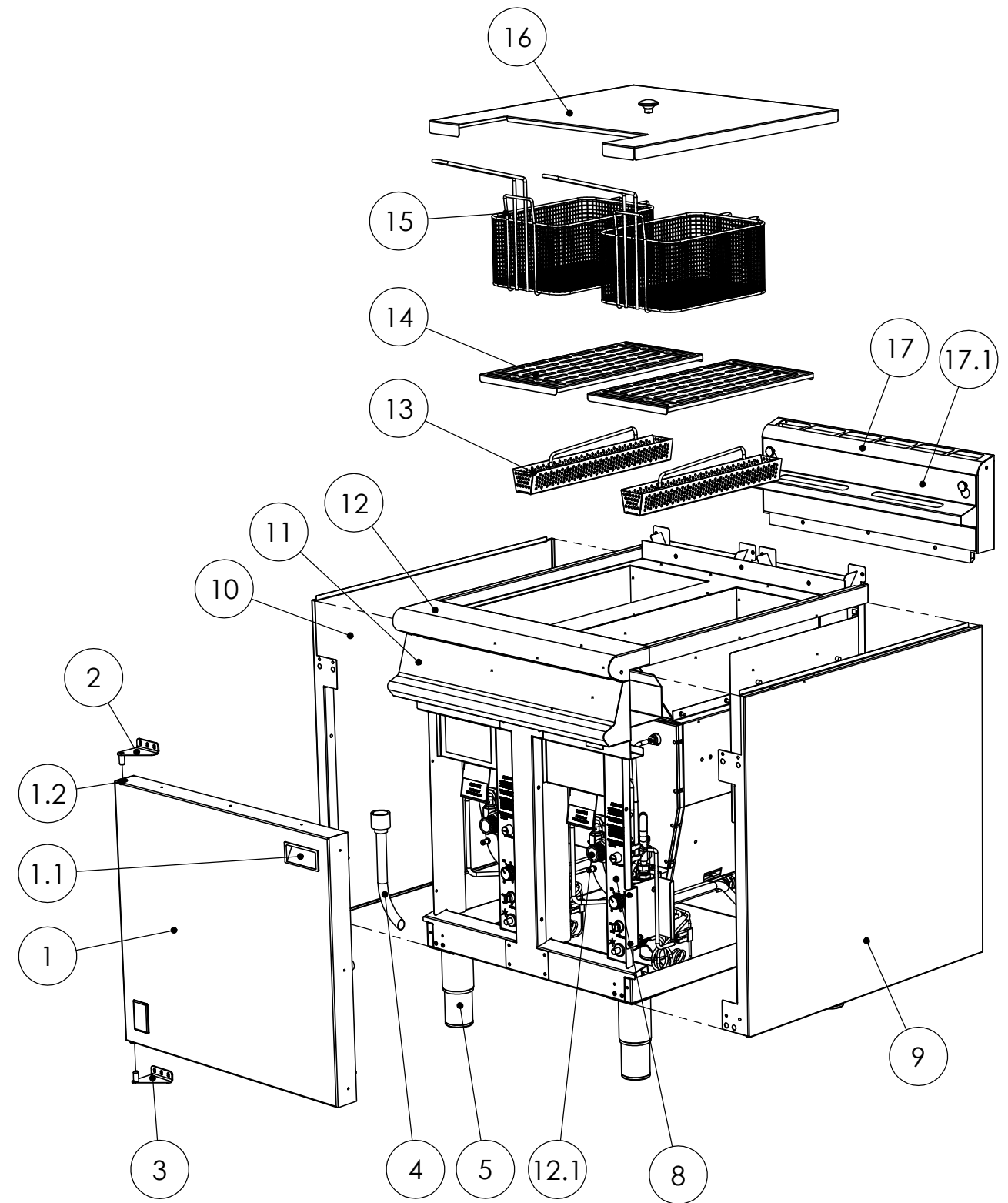
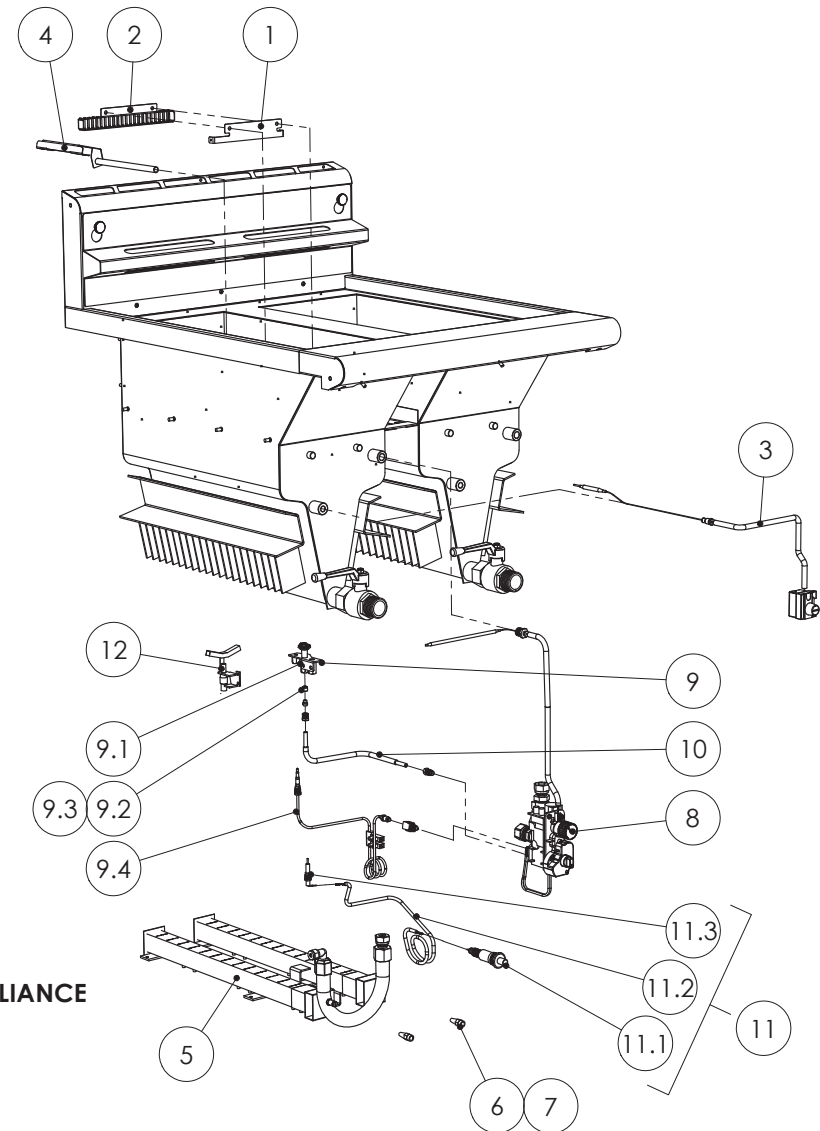


ITEM		DESCRIPTION	SPARES No
1		DOOR ASSEMBLY	535580000
	1.1	DOOR HANDLE	736010020
	1.2	DOOR HINGE BUSH (x 2)	536060036
2		DOOR HINGE - TOP	535200006
3		DOOR HINGE - BOTTOM	535200007
4		DRAIN TUBE ASSEMBLY	535710015
5		ADJUSTABLE FOOT	535480067
6		CASTOR - BRAKED (x 2) - NOT SHOWN	536430110
7		CASTOR - FIXED (x 2) - NOT SHOWN	731350014
8		CONTROLS INDICATION LABEL	535580001
9		OUTER SIDE PANEL - RH	535580002
10		OUTER SIDE PANEL - LH	535580003
11		CONTROL PANEL	535580004
12		HOB/PAN ASSEMBLY C/W INSULATION & DRAIN VALVE	535590000
	12.1	DRAIN VALVE ASSEMBLY	534510060
13		PAN STRAINER	535670009
14		FISH PLATE	535570003
15		BASKET	531312010
16		DUST COVER	535680006
17		FLUE ASSEMBLY	535690004
	17.1	BASKET HANGER	535680008



DOMINATOR PLUS

ITEM	DESCRIPTION	SPARES No
1	OPERATING STAT PHIAL MOUNTING BRACKET	535580006
2	OPERATING STAT PHIAL COVER	535580007
3	SAFETY THERMOSTAT	535580008
4	SAFETY STAT PHIAL MOUNT BRACKET	535670018
5	BURNER ASSEMBLY (NO INJECTORS)	535670019
6	BURNER INJECTORS (x 2) - NAT GAS	535670020
7	BURNER INJECTORS (x 2) - PROPANE	535570004
8	GAS CONTROL VALVE C/W FITTINGS - NAT & PROPANE	535580017
9	PILOT ASSEMBLY - NAT & PROPANE	535580013
9.1	3 FLAME PILOT	530760007
9.2	PILOT INJECTOR - NAT GAS	537350013
9.3	PILOT INJECTOR - PROPANE	537350014
9.4	THERMOCOUPLE	535670024
10	PILOT PIPE C/W FITTINGS	535570005
11	SPARK IGNITOR ASSEMBLY	535670026
11.1	SPARK IGNITOR	535010000
11.2	SPARK IGNITOR CABLE	535710115
11.3	SPARK ELECTRODE	537350007
12	CROSS LIGHTER ASSEMBLY - NAT & PROPANE	535670027
12.1	CROSS LIGHTER INJECTOR - NAT GAS (NOT SHOWN)	535710091
12.2	CROSS LIGHTER INJECTOR - PROPANE (NOT SHOWN)	531300070
13	GAS GOVERNOR - NAT GAS (NOT SHOWN)	535480015



CONTROLS ARE THE SAME FOR BOTH SIDES OF THE APPLIANCE



Issue	Alteration	Date	Product	Document Reference
B	Second Issue	15/05/14	G3865	AD48882