

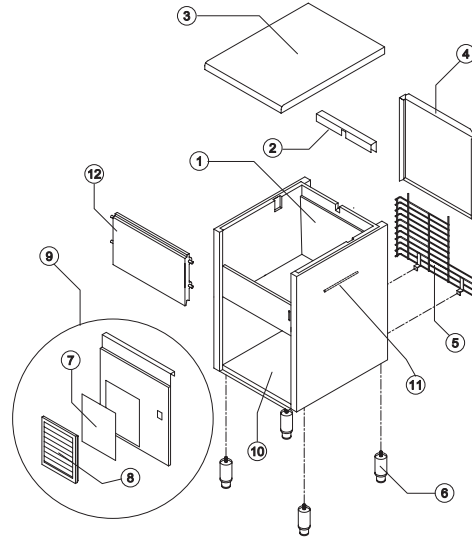


# GB 902

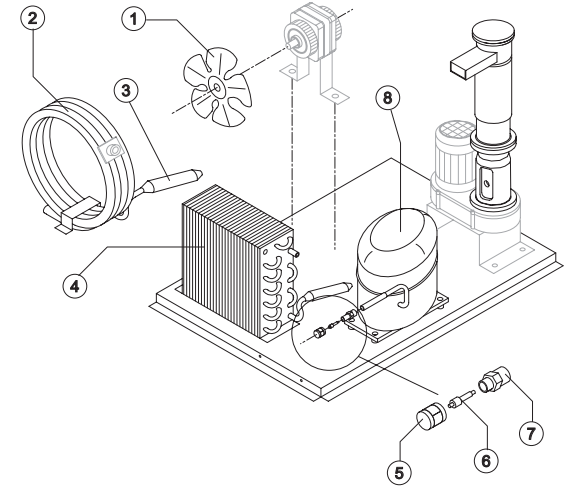
## LIST OF THE EXPLODED VIEWS



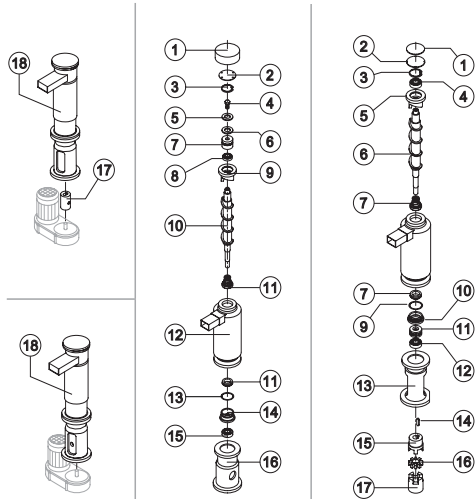
### SHELL ASSY



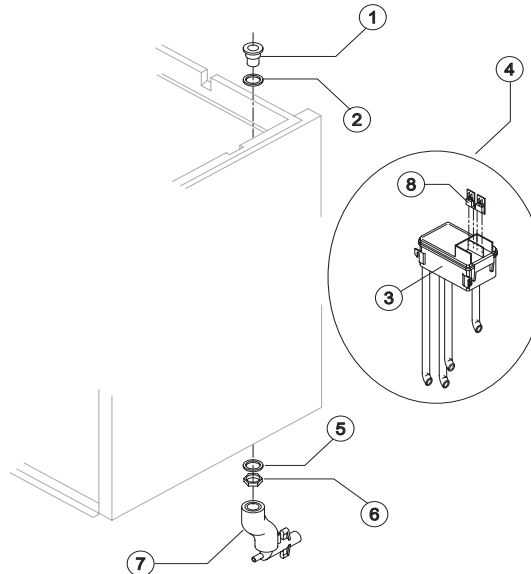
### COOLING SYSTEM



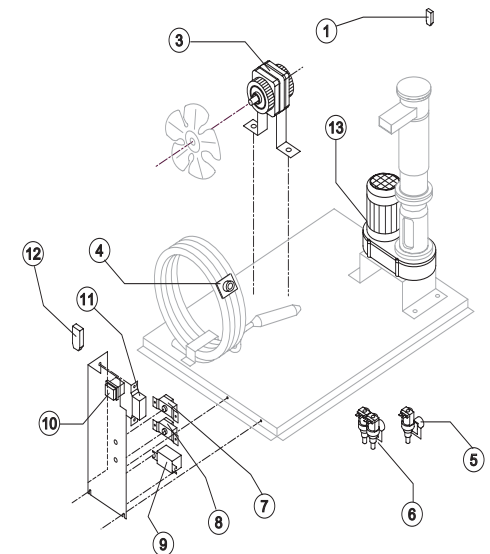
### EVAPORATOR



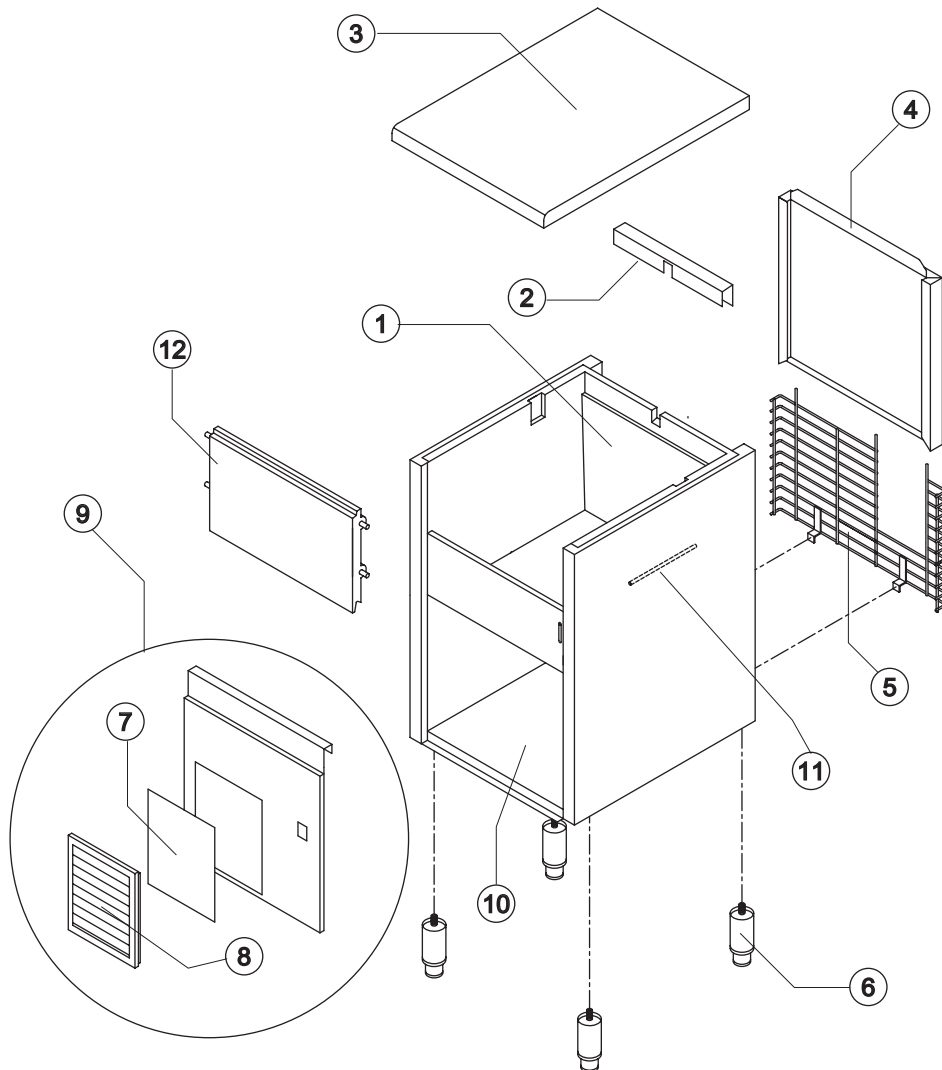
### HYDRAULIC CIRCUIT



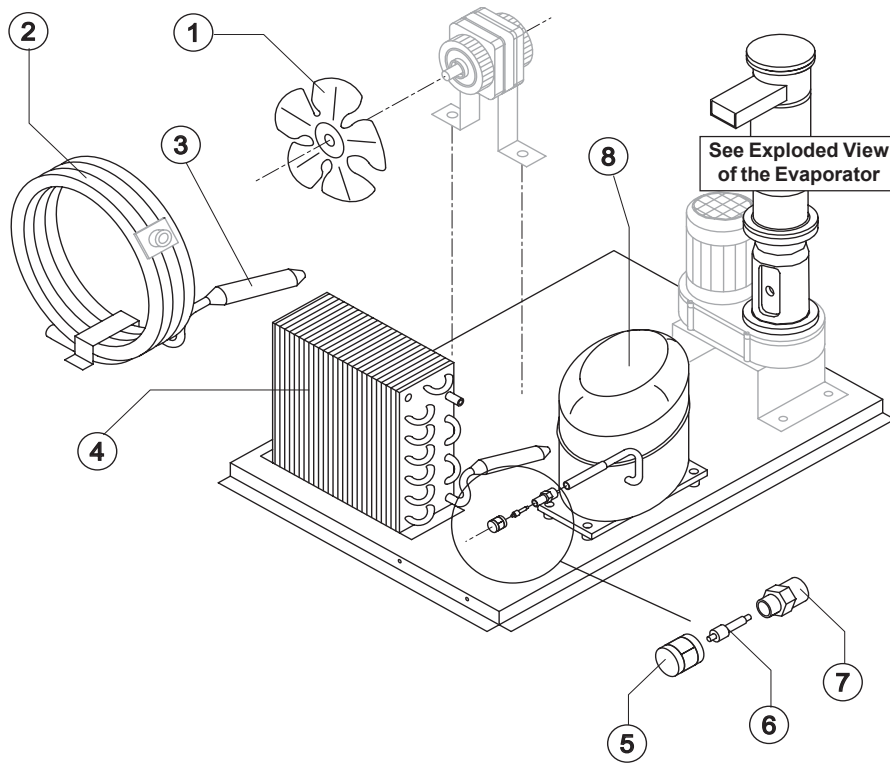
### ELECTRIC PARTS



Rev. 4 - 20/10/2003



Ref.	Spare Description	Code
1	Foamed Cabinet Assy	C11096/E
2	Cover for Ice Exit Passage	22590
3	Top Assembly	C22689
4	Back Panel Assembly	C21215
5	Rear Grid	D12014
6	Stainless Steel Foot Adjustable	Current Version 20613
6	ABS Foot	Till s/n. 142318 10024
7	Filtering Panel	18106
8	Frame with Grid & Filter	C10205
9	Front Grid Panel	C22507
10	Base Plate	Current Version 21283
10	Base Plate	Till s/n. 142318 C21029
11	Bulbe Thermostat Tube	20522
12	Door Assy	C10297



### Common Parts

Ref.	Spare Description	Code
3	Molecular Drier	14009
5	Vacuum-Charge Valve Plug	14006
6	Vacuum-Charge Valve Device	14005
7	Vacuum-Charge Valve Body	14007
8	Compressor	See Table

### Parts for Air-Cooled Version Only

Ref.	Spare Description	Code
1	Suction Fan	See Table
4	Air Condenser	20283

### Parts for Water-Cooled Version Only

Ref.	Spare Description	Code
1	Suction Fan	10213
2	Water Condenser	See Note

### Ref. 1 - Suction Fan

Tension	Code
220/240V 50 Hz	20096
220/230V 60 Hz	20095
110/115V 60 Hz	20095

### Ref. 8 - Compressor

Tension	Code
220/240V 50 Hz	23441
220/230V 60 Hz	23494
110/115V 60 Hz	23446

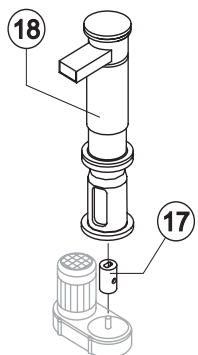
**!** Ref. 2 - For s/n. before 104404, ask besides the new Condenser (Code 14057) also the Fixing Bracket (Code 21033).



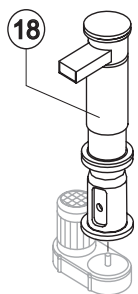
# GB 902

# EVAPORATOR

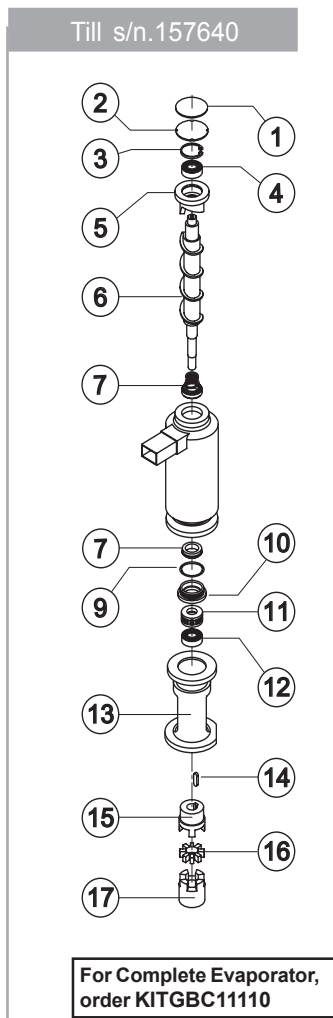
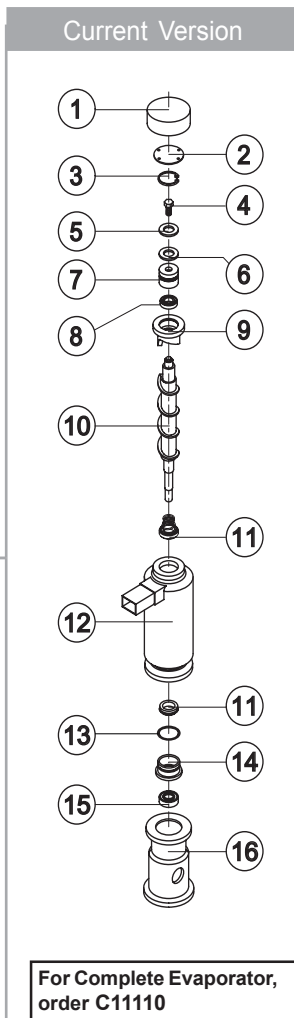
Rev. 4 - 20/10/2003



**C11110**

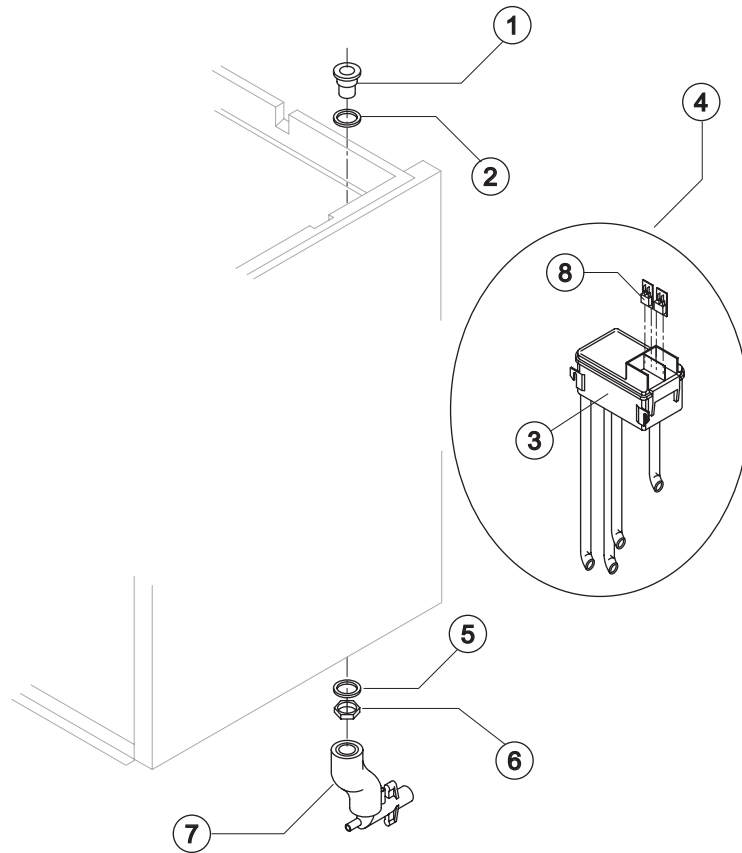


**KITGBC11110**



Ref.	Spare Description (Current Version)	Code
1	Insulating Top Panel	Current Version 18170
1	Insulating Top Panel	Till s/n. 180719 18164
2	Closing Disk	22825
3	Seeger	20043
4	Inox Screw	Current Version 20663
4	Inox Screw	Till s/n. 161504 15093
5	Shimming Disk	22826
6	Self-Lubricating Disk	20631
7	Stainless Steel Thrust Bearing	Current Version 20686
7	Stainless Steel Thrust Bearing	Till s/n. 211897 20623
8	OR Gasket 3087	Current Version 20688
8	Seal Ring	Till s/n. 211897 20632
9	Ice Breaker	20626
10	Auger with Screw	C20625
11	Ceramic Seal	20633
12	Insulated Evaporator	C11107
13	OR Gasket 3162 NBR70	20429
14	Reduction Ring	20624
15	Inox Bearing	20045
16	Flange	20629
17	Joint	D20630
18	Evaporator Assy	C11110

Ref.	Spare Description (Till s/n.157640)	Code
1	Insulating Cover	18116
2	Closing Disk	22588
3	Seeger Ring	20434
4	Stainless Steel Upper Bearing	20433
5	Ice Breaker	20440
6	Auger	20439
7	Ceramic Seal	20428
9	OR Gasket 3162 NBR70	20429
10	Reduction Ring	20427
11	Stainless Steel Thrust Bearing	20049
12	Inox Bearing	20045
13	Machined Joint Flange	E20438
14	Key	20431
15	Semi-Joint	D20430
16	Vibration-Damping Elastomer	20455
17	Semi-Joint	D20454
18	Evaporator Assy	ex C11095 KITGBC11110



### Common Parts

Ref.	Spare Description	Code
1	Plastic Nipple Water Outlet	10007
2	Silicone Gasket	13006
3	Double Switch Basin	10145
4	Double Switch Basin Assembly	C10164GB
5	Semirigid Polyethylene Gasket	13007
6	Bin Discharge Nut	10096
8	Microswitch	23055

### Parts for Air-Cooled Version Only

Ref.	Spare Description	Code
7	Discharges Manifold	C10235

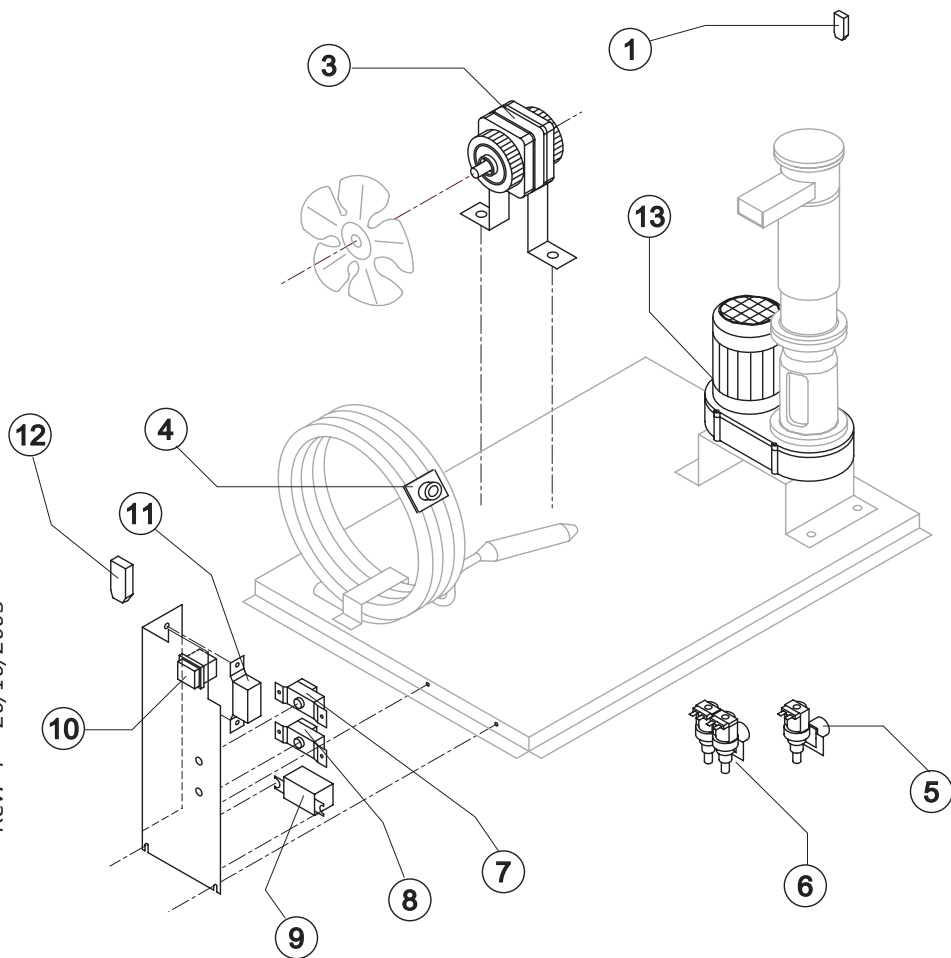
### Parts for Water-Cooled Version Only

Ref.	Spare Description	Code
7	Discharges Manifold	C10240



# GB 902

## ELECTRIC PARTS



### Common Parts

Ref.	Spare Description	Code
1	Anti Radio Interference Filter 220/240V 50 Hz	23457
3	Fan Motor	See Table
7	Bin Thermostat	23005
8	Evaporator Thermostat	23034
9	Relay	See Table
10	Green Light Switch	23327
11	Condenser Pressure Switch	23175
12	Anti Radio Interference Filter 220/240V 50 Hz	23459
13	Gearmotor	See Table

### Parts for Air-Cooled Version Only

Ref.	Spare Description	Code
5	Inlet Watervalue 1 Way	See Table

### Parts for Water-Cooled Version Only

Ref.	Spare Description	Code
4	Safety Thermostat	C23114
6	Inlet Watervalue 2 Ways	See Table

#### Ref. 3 - Fan Motor

Tension	Code
220/240V 50 Hz	23029
220/230V 60 Hz	23029
110/115V 60 Hz	23683

#### Ref. 5 - Inlet Watervalue 1 Way

Tension	Code
220/240V 50 Hz	23115
220/230V 60 Hz	23115
110/115V 60 Hz	23410

#### Ref. 6 - Inlet Watervalue 2 Ways

Tension	Code
220/240V 50 Hz	23116
220/230V 60 Hz	23116
110/115V 60 Hz	23322

#### Ref. 9 - Relay

Tension	Code
220/240V 50 Hz	23190
220/230V 60 Hz	23190
110/115V 60 Hz	23557

#### Ref. 13 - Gearmotor

Tension	Code
220/240V 50 Hz	23532
220/230V 60 Hz	23532
110/115V 60 Hz	23556

Rev. 4 - 20/10/2003