

560074400M02P00

541157401 ≤ 1302
541157402 ≥ 1303

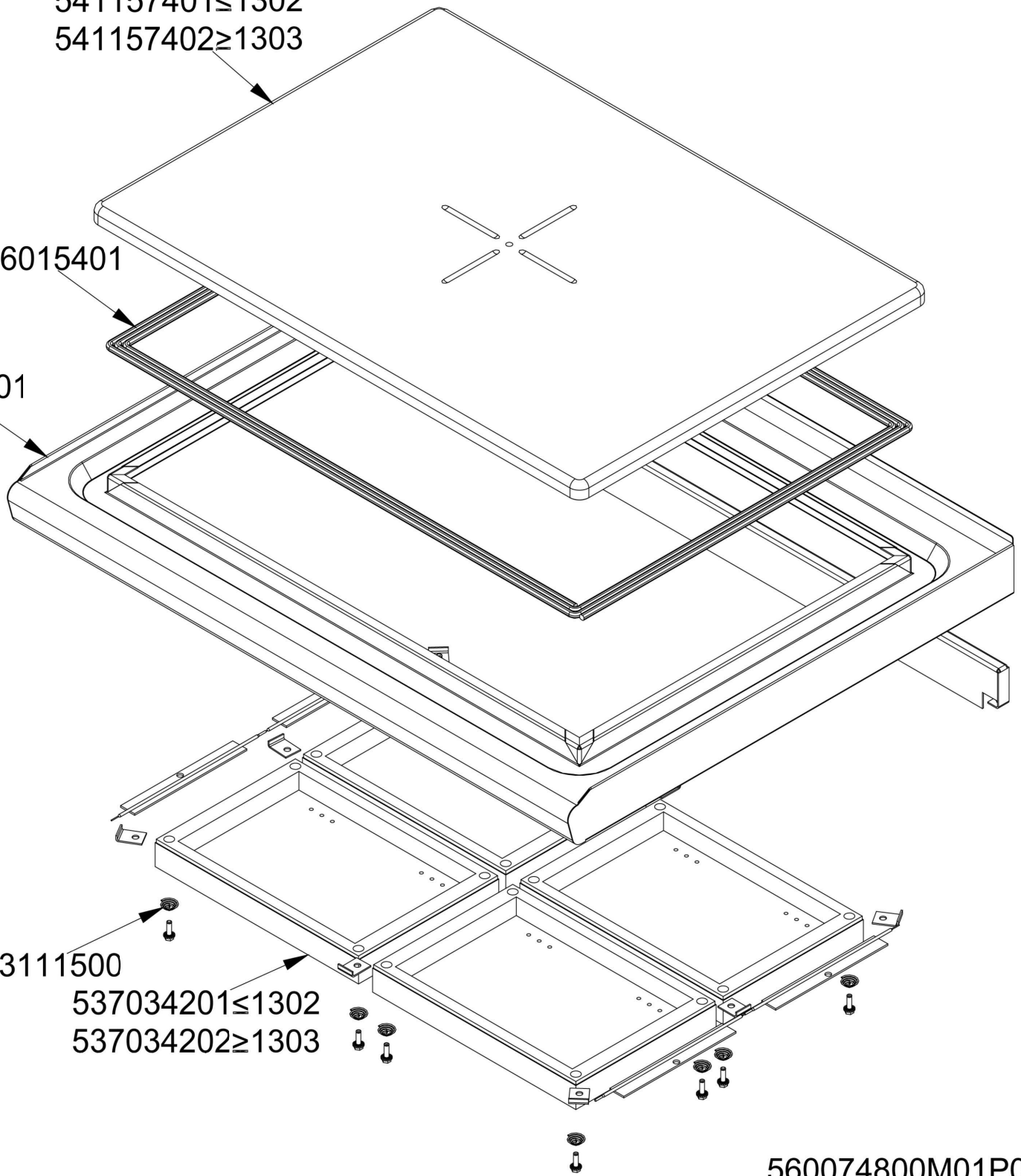
546015401

541157501

533111500

537034201 ≤ 1302
537034202 ≥ 1303

560074800M01P00



Page	Pos	Code	Description
001		532004100	FLUE GRID L=370 90LINE (RAF
001		541134600	LOW SPACER 78 2 GRIDS
001		537000900	THERMOSTAT 063-320°C THREEPHASE
001		537003800	TERMINAL BLOCK 3POLES 16A
001		537027400	TERMINAL BLOCK THREEPHASE 40A
001		544173500	LEFT SIDE PANEL S.70
001		541104000	CONTROL PANEL PC-78E
001		544173400	RIGHT SIDE PANEL S.70
001		536005200	INOX LEG 2" 120-180 M10
002		541157401	OLD PLATE FOR TP-78E
002		541157402	PLATE S70 TP-78E
002		546015401	SQUARE PLAIT L.C.06X06 L6750
002		541157501	UPPER PLATE TP-78E
002		533111500	COIL SPRING INTØ7X18XØFILO1 H=10
002		537034201	HEATING ELEMENT 190X250 2500W230V3
002		537034202	HEATING ELEM.250X295 2500W 230V3