

G6SFM8

G6SFM8

CATALOGO PARTI DI RICAMBIO
CATALOGUE PIECES DETACHEES
ERSATZTEILKATALOG
SPARE PARTS CATALOGUE





**Catalogo parti di ricambio valido
dalla matricola 0000001 (31.10.2006) ad oggi (09.01.2017)**

**Catalogue pieces detachees
valable à partir du numero de Série n. 0000001 (31.10.2006) jusqu'à aujourd'hui
(09.01.2017)**

**Ersatzteilkatalog
gültig ab Serien-Nr. 0000001 (31.10.2006) bis heute (09.01.2017)**

**Spare parts catalogue
valid from serial no. 0000001 (31.10.2006) up today (09.01.2017)**

**Catálogo de peças de reposição
válido do número de série 0000001 (31.10.2006) até hoje (09.01.2017)**

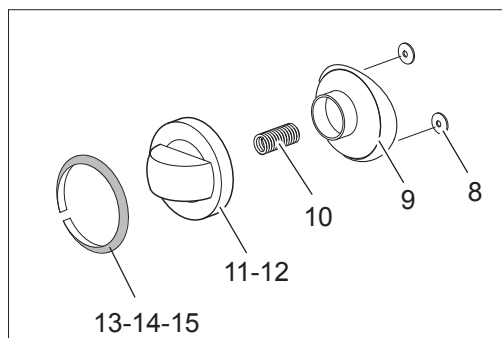
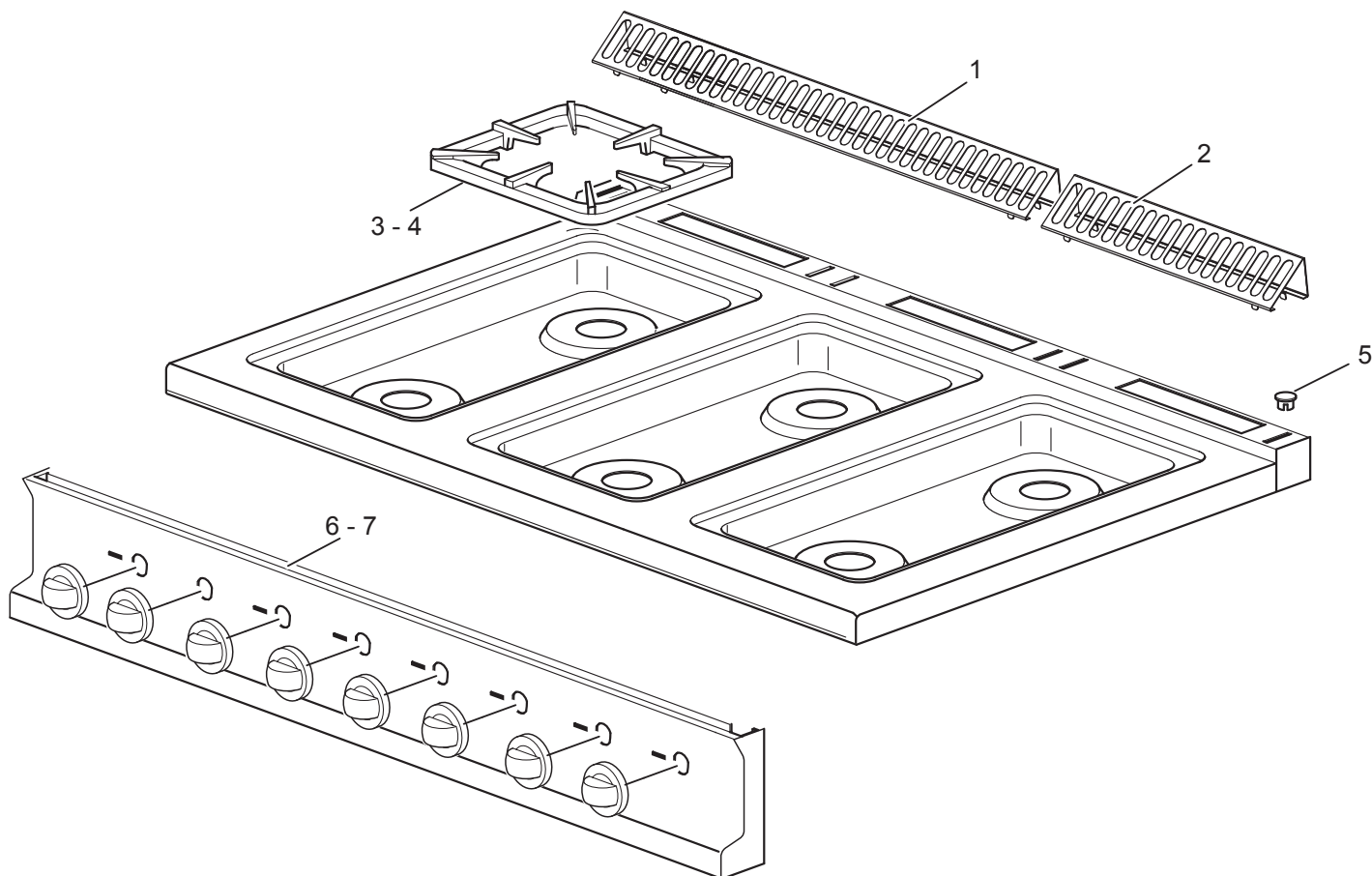
Le informazioni sono considerate non vincolanti. Le immagini rappresentate sono puramente indicative. Il produttore si riserva il diritto di apportare modifiche in qualsiasi momento senza preavviso.

Les informations données ne sont pas contraignantes. Les images montrées sont à titre indicatif. Le producteur se réserve le droit d'apporter des modifications sans préavis.

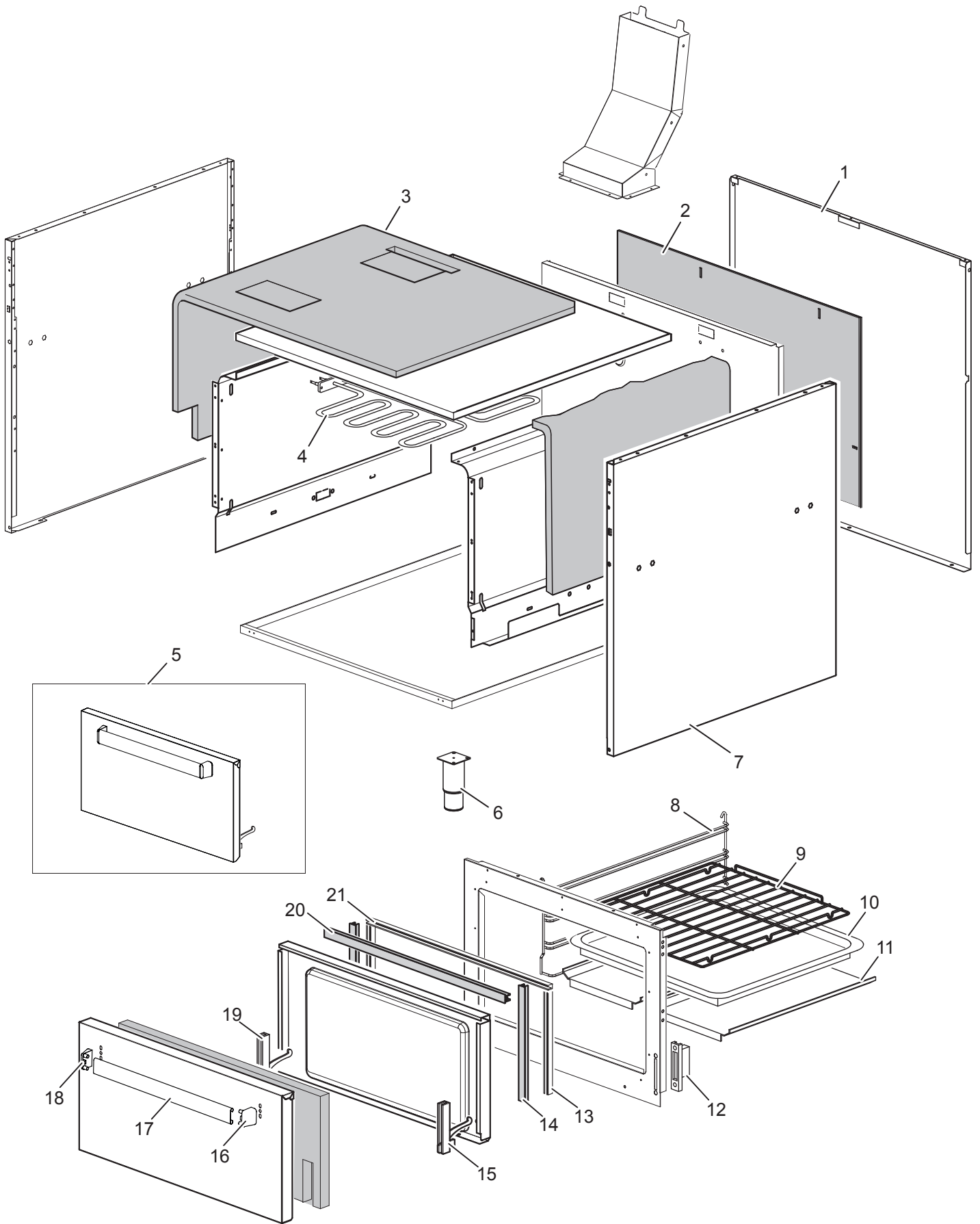
Die im vorliegenden Dokument aufgeführten Informationen und Bilder sind unverbindlich. Der Hersteller behält sich das Recht vor, jederzeit ohne vorherige Ankündigung Änderungen vorzunehmen

Info and drawing could be slightly different from reality and they cannot be considered as compelling. Manufacturer can modify info anytime without forewarning.

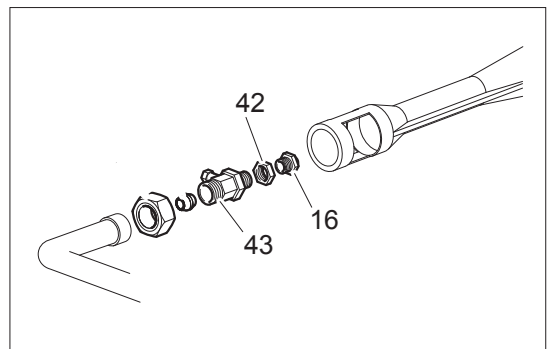
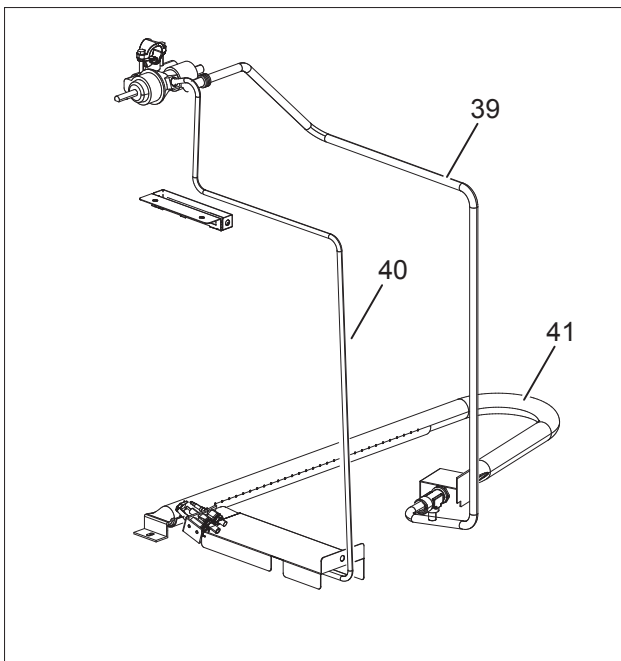
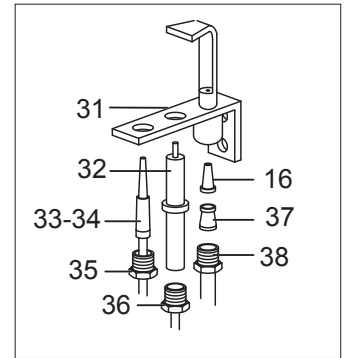
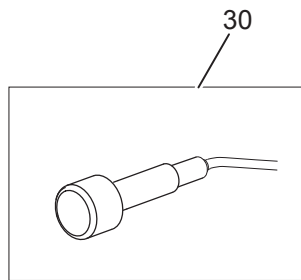
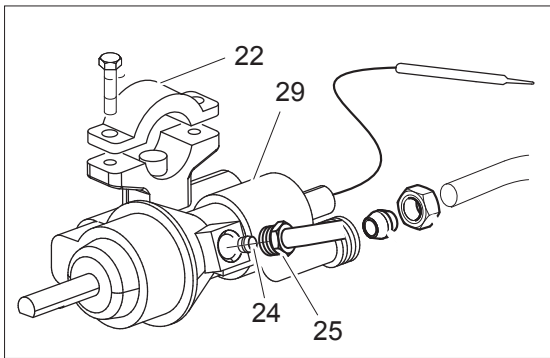
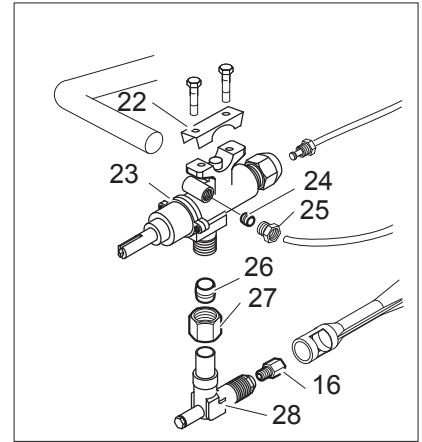
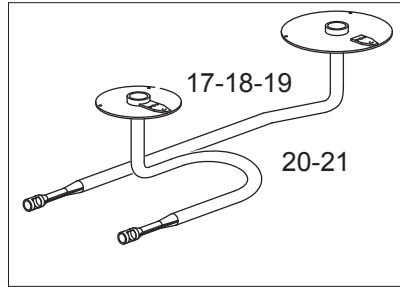
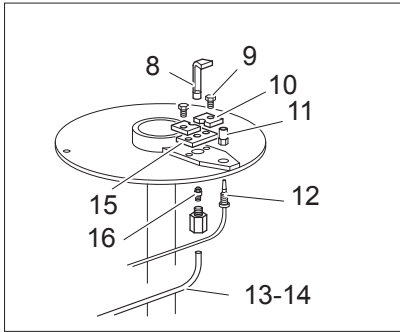
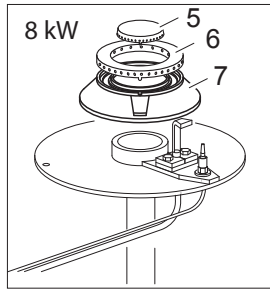
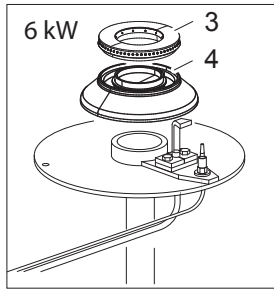
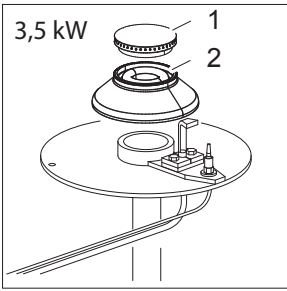
As Informações e desenhos podem estar um pouco diferente da realidade e são puramente indicativas. O fabricante pode modificar estas informações a qualquer momento sem aviso prévio.



| Nr. | Code | Title | Recommended |
|------------|-------------|---|--------------------|
| 1. | 180968 | <i>GRILLE POUR CHEMINÉE</i> | N |
| 2. | 181043 | <i>GRILLE POUR CHEMINÉE</i> | N |
| 3. | 182356 | <i>GRILLE INOX</i> | N |
| 4. | 182140 | <i>SINGLE CAST IRON GRID</i> | N |
| 6. | 182433 | <i>CONTROL PANEL</i> | N |
| 11. | 169337 | <i>GAS VALVE KNOB BODY G4S6HH BLACK</i> | S |
| 13. | 171520 | <i>KNOB RING</i> | S |
| 14. | 169367 | <i>OVEN RING</i> | S |



| Nr. | Code | Title | Recommended |
|------------|-------------|---|--------------------|
| 1. | 182390 | <i>BACK SIDE</i> | N |
| 2. | RTBF800388 | <i>INSULATING PANEL</i> | N |
| 3. | 180413 | <i>INSULATING PANEL</i> | N |
| 5. | RIC0004799 | <i>OVEN DOOR COMPLETE</i> | N |
| 6. | RTCU700277 | <i>PIED+BOUCHON S.G4SF7/145</i> | N |
| 7. | 180969 | <i>TOLE LATERAL</i> | N |
| 8. | 179341 | <i>TOLE LATERAL DU FOUR</i> | N |
| 9. | RTCU900388 | <i>OVEN GRATE</i> | N |
| 10. | PACU900606 | <i>TRAY</i> | N |
| 11. | 183515 | <i>OVEN PLATE</i> | N |
| 12. | RTCU900004 | <i>PORTE-ROULEAU CHARN.F.4GIPR000159</i> | S |
| 13. | 184105 | <i>SUPPORT DE JOINT</i> | |
| 14. | 163888 | <i>JOINT LAT.F.G4SF9</i> | S |
| 15. | RTCU900396 | <i>CHARNIERE P.F.DROITE C6FM 45012501</i> | S |
| 16. | RTCU800001 | <i>TERMINAL MAN.F.G4S NOIR</i> | N |
| 17. | 168346 | <i>HANDLE</i> | N |
| 18. | RTCU800001 | <i>TERMINAL MAN.F.G4S NOIR</i> | N |
| 19. | RTCU900397 | <i>CHARNIERE P.F.GAUCHE C6FM 45012502</i> | S |
| 20. | 166504 | <i>UPPER GASKET FOR OVEN DOOR</i> | S |
| 21. | 184112 | <i>SUPPORT DE JOINT</i> | |



| Nr. | Code | Title | Recommended |
|------------|-------------|--|--------------------|
| 1. | RTCU700375 | CHAPEAU DE BRULEUR 3,5KW G4SF7 | S |
| 2. | RTCU700748 | BRUL.3,5KW G4SF7 NICKELE | S |
| 3. | RTCU700376 | CHAPEAU DE BRULEUR 6KW G4SF7 | S |
| 4. | RTCU700749 | BRUL.6KW G4SF7 NICKELE | S |
| 5. | 160295 | CHAPEAU DE BRULEUR 1KW CENT.G4S9 | S |
| 6. | 160294 | CHAPEAU DE BRULEUR 7KW G4S9 | S |
| 7. | 163254 | BRUL.8KW G4S9 NICKELE | S |
| 8. | RTCU700372 | PILOTE P.L.+IN.035 G4SF7 GK803MBM | N |
| 9. | RTMIN00063 | SCREW | N |
| 10. | 172882 | Pilot fixing plate G4SF7 | N |
| 11. | RTCU700391 | ECROU FIX.THERMOCOUPLE G4SF7 G6049023 | N |
| 12. | RTCU700374 | THERMOCOUPLE 60 P.L.G4SF7 G1712214 | S |
| 13. | 173390 | FRONT BURNER PILOT PIPE | N |
| 14. | 173391 | BACK BURNER PILOT PIPE | N |
| 15. | 172883 | PILOT GASKET G4SF7/1 | S |
| 16. | INIETTORE | SEE HANDBOOK NOZZLES | N |
| 17. | 164557 | TUYAU ALIM.ARRIERE BRUL.6KW G4S9/1 | N |
| 18. | 164558 | TUYAU ALIM.ARRIERE BRUL.8KW G4S9/1 | N |
| 20. | 164555 | TUYAU ALIM.ANT.BRUL.3,5KW G4S/1 | N |
| 21. | 164556 | TUYAU ALIM.ANT.BRUL.6KW G4S/1 | N |
| 22. | 167184 | SAFETY VALVE BRIDLE | S |
| 23. | 167997 | GAS TAP G4S77 | S |
| 24. | RTCU900018 | BICONE D.6 PEL0905 | S |
| 25. | RTCU900019 | ECROU D.6 PEL0903/1 | S |
| 26. | RTCU900012 | BICONE D.10 | S |
| 27. | RTCU700297 | ECROU D.10 FIX/SORTIE ROB.V.21S | S |
| 28. | 173320 | INJECTOR SUPPORT | N |
| 29. | RIC0004862 | THERMOSTAT GAZ | |
| 30. | RIC0004096 | PIEZO UNIT | S |
| 31. | RTCP800034 | CORPS PILOTE G100 0140026 | S |
| 32. | RTCP800033 | BOUGIE D'ALLUMAGE RONDE G100 CAST0772183 | S |
| 33. | RTCU900061 | THERMOCOUPLE 120 0290091/TARGET | S |
| 34. | RTCP800131 | RALLONGE T/C.MF9X1CM60 0218101 | S |

| | | | |
|-----|------------|--|---|
| 35. | RTCP800038 | RACCORD T/C.PIL.GC47 0974036 | S |
| 36. | RTCU900215 | RACCORD CAND.TUYAU DE VIDANGE ST.0974037 | S |
| 37. | RTCU800183 | BICONE D.6 G4SF 0957010 | S |
| 38. | RTCU800182 | ECROU ALL.D.6 G4SF 0958047 | S |
| 39. | 183303 | FEEDING PIPE FOR OVEN BURNER | N |
| 40. | 183304 | OVEN BURNER PILOT PIPE | N |
| 41. | 174076 | BRULEUR DU FOUR 9KW | S |
| 42. | RTCU900005 | CONTRE-ECROU SUPP.INJEXT.PLAQUE | N |
| 43. | 162697 | SUPPORT INJECT.F.G4SF9 | N |