



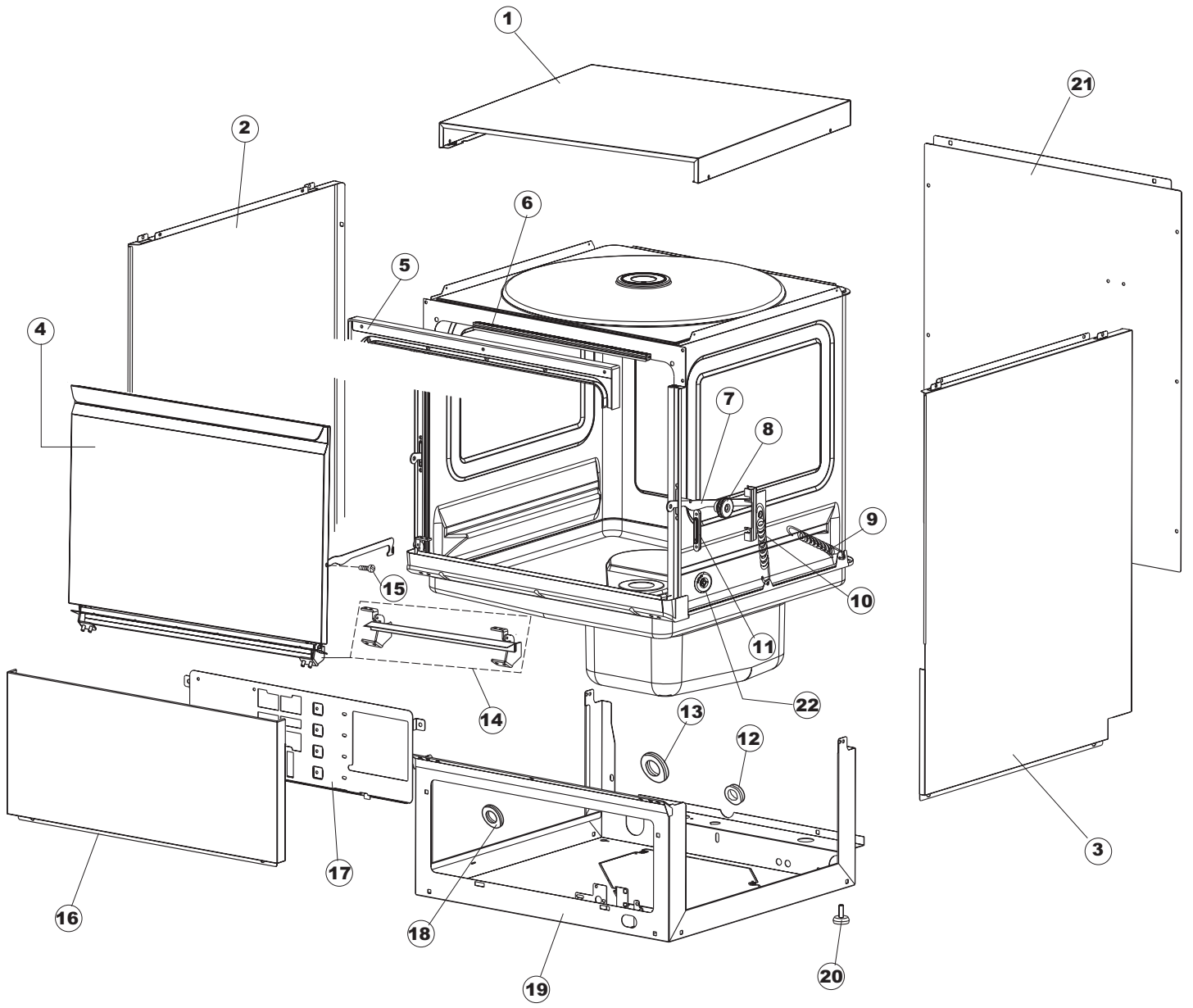
**SPARE PARTS CATALOGUE
ERSATZTEILKATALOG
CATALOGUE PIECES DETACHEES
CATALOGO PARTI RICAMBIO
CATALOGO DE PIEZAS DE RECAMBIO
CATALOGO PEÇAS DE REPOSICAO**

LS 520

CRP

07-06-2011

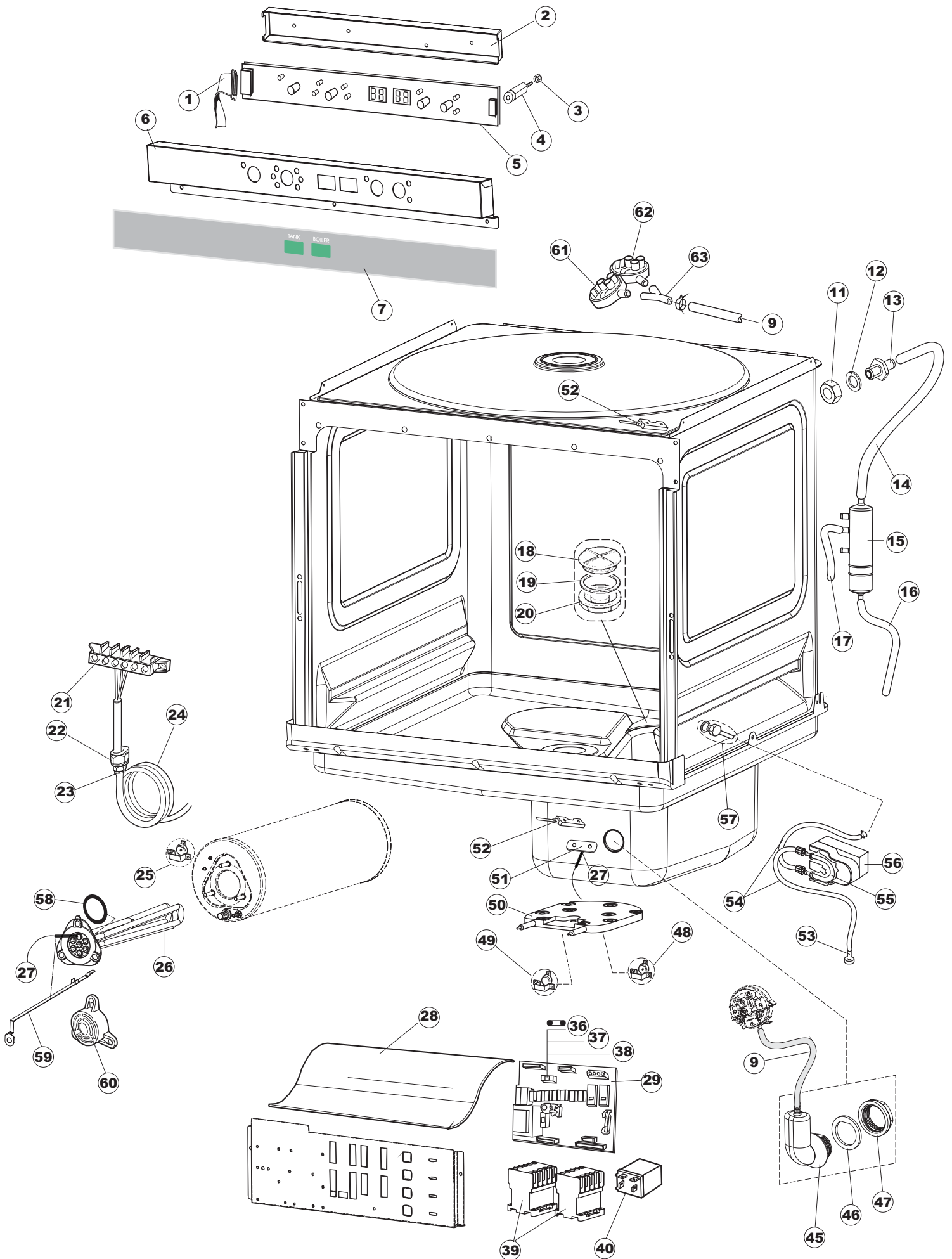
1



Pagina 1

1	004113	CAPPELLO COLG.GOLD COVER COLG.GOLD DECKEL COLG.GOLD COUVERTURE COLG.GOLD CAPERUZA COLG. GOLD	
2	021097	FIANCO SX.X5 SIDE, LH X5 SEITE, LINKS X5 COTE, GAUCHE X5 LATERAL IZQDA. X5	
3	021096	FIANCO DX.X5 SIDE, RH X5 SEITE, RECHTS X5 COTE, DROITE X5 LATERAL DCHA. X5	
4	029550	PORTA COMPLETA UGS520 COMPLETE DOOR UGS520 TUER KOMPLETT UGS520 PORTE COMPLETE UGS520 PUERTA COMPLETA UGS520	
5	328082	FRONTALINO CIELO GRIGIO X5 FRONT PANEL, CEILING GREY X5 FRONTTEIL, DECKE GRAU X5 PANNEAU FRONTAL CIEL GRIS X5 PANEL FRONTAL TECHO GRIS X5	
6	437097	GUARNIZIONE PORTA RV50 PACKING DICHTUNG JOINT JUNTA PUERTA RV50	
7	304024	ASTA PORTA X5 ROD, DOOR X5 STANGE, TÜR X5 BARRE PORTE X5 VARA PUERTA X5	
8	499078	RULLO CLEAN.3 ROLLER, CLEAN.3 ROLLE, CLEAN.3 ROULEAU CLEAN.3 RODILLO CLEAN. 3	
9	449049	MOLLA ASTA PORTA POST.I=130 CL.3 SPRING, REAR DOOR ROD I=130 CL.3 FEDER, TÜRSTANGE HINTEN I=130 KL.3 RESSORT BARRE PORTE ARRIERE I=130 CL.3 MUELLE VARA PUERTA TRASERO I=130 CL. 3	
10	449057	MOLLA PORTA RV54 SPRING FEDER RESSORT MUELLE PUERTA RV54	
11	307012	GUIDA BATTUTA ASTA PORTA GRIGIO X5 GUIDE, DOOR ROD BUFFER, GREY X5 FÜHRUNG, ANSCHLAG TÜRSTANGE GRAU X5 GUIDE FEUILLURE BARRE PORTE GRIS X5 GUIA TOPE VARA PUERTA GRIS X5	
12	459006	PASSACAVO Di9/De16 22 FAIRLEAD, Di9/De16 22 KABELDURCHGANG, Di9/De16 22 PASSE-CABLE Di9/De16 22 PASA-CABLE Di9/De16 22	
13	459004	PASSATUBO GOMMA DI.34 PIPEHOLDER, RUBBER DI.34 ROHRDURCHGANG, GUMMI DI.34 SUPPORT-TUYAU CAOUTCHOUC DI.34 PASA-TUBO GOMA DE. 34	
14	030157	GRUPPO DEFLETTORE ACQUA+CERNIERE X5 CLG. DEFLECTOR, WATER+HINGES X5 CLG. ABLENKPLATTE, WASSER+SCHARNIERE X5 CLG. ENS.DEFLECTEUR EAU+CHARNIERES X5 CLG. GRUPO DEFLECTOR AGUA+BISAGRAS X5 CLG.	
15	486224	VITE ASTA PORTA X5 SCREW, ROD HOLDER X5 SCHRAUBE, TÜRSTANGE X5 VIS BARRE PORTE X5 TORNILLO VARA PUERTA X5	

16	012275	FRONTALINO EST.COLG.GOLD FRONT PANEL, OUT.COLG.GOLD FRONTTEIL, AUSS.COLG.GOLD PANNEAU FRONTAL EXT.COLG.GOLD PANEL FRONTAL EXT. COLG. GOLD	
17	035062	STAFFA COMP. ELETTRICI X5 PIEG. BRACKET, ELECTR.COMP. X5 BENT BÜGEL, EL.KOMP. X5 GEBOG. ETRIER COMP. ELECTRIQUES X5 PLIE SOPORTE COMP. ELECTRICOS X5 PLEGADO	
18	459020	PASSACAVO DK 18/22/27-1 X5 FAIRLEAD, DK 18/22/27-1 X5 KABELDURCHGANG, DK 18/22/27-1 X5 PASSE-CABLE DK 18/22/27-1 X5 PASA-CABLE DK 18/22/27-1 X5	
19	040099	ZOCOLO X5 CPL. BASE X5 SOCKEL KOMPLETT SOCLE 5X CMLP BASE X5 CPL.(REPUESTO)	
20	461019	PIEDINO REGOLABILE D30 M8 FOOT, ADJUST. D30 M8 VERSTELLFUSS D30 M8 PIED REGLABLE D30 M8 PATA REGULABLE D30 M8	
21	022139	PANNELLO POSTERIORE X5 PANEL, REAR X5 PLATTE, HINTEN X5 PANNEAU ARRIERE X5 PANEL TRASERO X5	
22	480057	TAPPO GOMMA D.14 CAP, RUBBER D.14 GUMMISTÖPSEL D.14 BOUCHON CAOUTCHOUC D.14 TAPON GOMA D. 14	



Pagina 2

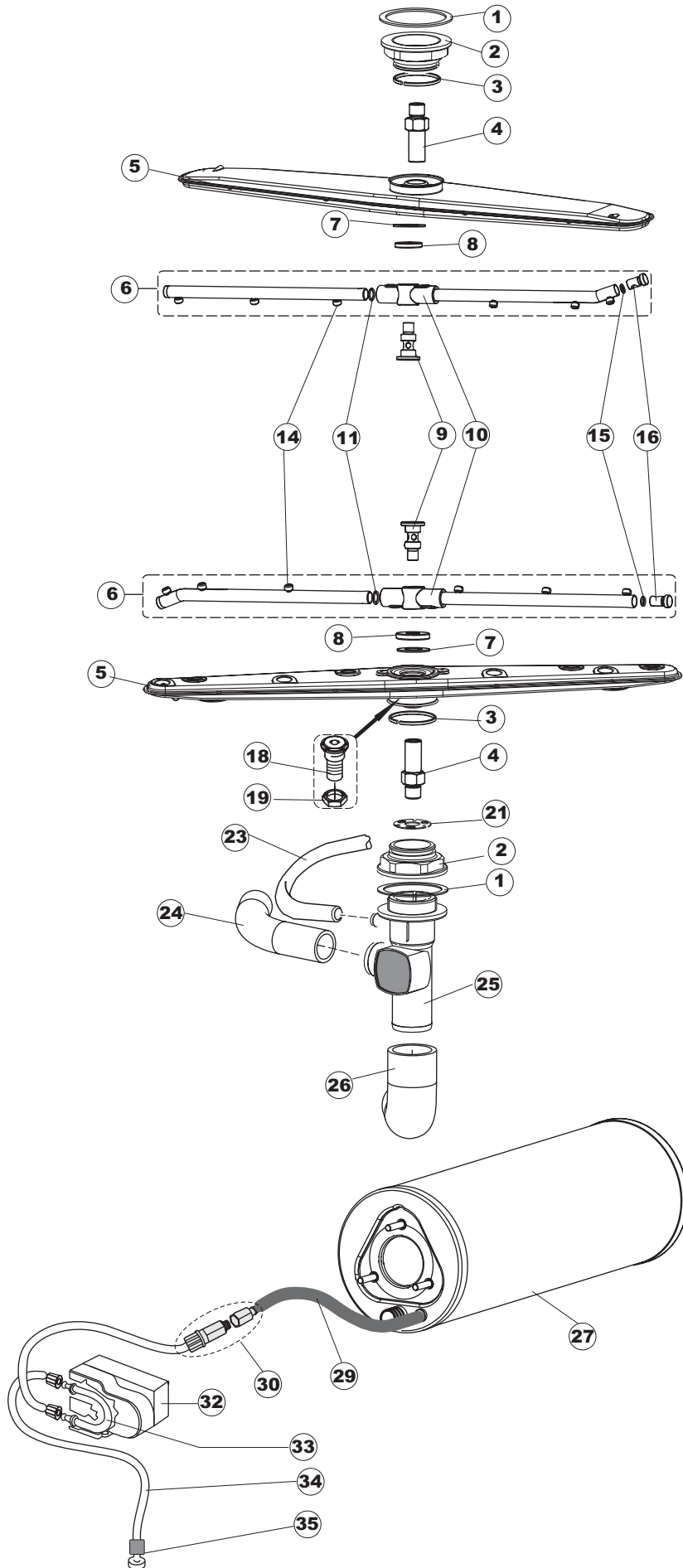
1	211013	CAVO FLAT 10 VIE X PULS.SOFT TOUCH GET 5 FLAT WIRE FLACHKABEL CABLE CABLE FLAT GET50 LA50	
2	214104	PROTEZ.PULSANTIERA TERMOFORMATA PLASTIC PROTECTION SCHUTZ KUNSTOFF PROTECTION PLASTIQUE PROTECC.BOTONERA TERMOFORMATA	
3	417119	DADO M3 PLASTICA BIANCO NUT, M3 PLASTIC WHITE SCHRAUBENMUTTER, M3 KUNST. WEISS ECROU M3 PLASTIQUE BLANC TUERCA M3 PLASTICO BLANCO	
4	419036	SPACER SPACER, M3 ABSTANDSSTÜCK, M3 ENTRETOISE M3 DISTANCIADOR M3	
5	227084	PULSANTIERA 4 TASTI 2 DISPLAY X GET50 PUSH BUTTONS ASSEMBLY TASTENFELD TABLEAU DE PUSOIR BOTONERA 4 TECLAS 2 DISPLAY X GET50	
6	025888	PANNELLO COMANDI INOX UGS520 BOBECK CONTROL PANEL UGS520 BOBECK FRONTBLLENDE UGS520 BOBECK PANNEAU ARRIERE BOBECK PANEL DE MANDOS INOX UGS520 BOBECK	
7	026075	MASCHERINA POLIESTERE RIVER 54 POLYESTERE CONTROL PANEL RIVER 54 FRONTBLLENDE PANNEAU AVANT POLIESTER LS521 MBM	
9	143013	TUBO PVC VERDE 4X7 PIPE, PVC GREEN 4X7 SCHLAUCH PVC GRUEN 4X7 TUYAU PVC VERT 4X7 TUBO PVC VERDE 4X7	
11	H.602493	DADO M10 INOX A2 UNI5588 NUT MUTTER ECROU TUERCA M10 INOX A2 UNI5588	
12	437099	GUARNIZIONE GOMMA D10.5 RUBBER GASKET D10.5 GUMMIDICHTUNG D10.5 JOINT EN CAOUTCHOUC D10.5 JUNTA GOMA D10.5	
13	468193	RACCORDO SFIATO DOPPIO RV54 EMPALME ALIVIAD. DOBLE RV54	
14	H.165168	TUBO PVC 6X9 CRISTAL TRASP. RAUCLAIR PVC PIPE PVC SCHLAUCH TUYAU PVC * TUBO PVC 6X9 CRISTAL TRANSPARENTE	
15	144018	SERBATOIO SOFT START BREAK TANK "SOFT START" BEHAELTER "SOFT START" RESERVOIR "SOFT START" DEPOSITO SOFT START	
16	143028	TUBO PVC 4x7 CRISTAL TRASPARENTE PIPE, PVC 4x7 GLASS CRYSTAL TRANSPARENT ROHR, PVC 4x7 GLAS KRITSALL DURCHSICHT. TUYAU PVC 4x7 CRISTAL TRANSP. TUBO PVC 4x7 CRISTAL TRANSPARENTE	
17	H.165178	TUBO PVC 5X8 CRUSTAL TRASPARENTE PVC PIPE PVC SCHLAUCH TUYAU PVC TUBO P V C 5X8 CRISTAL TRANSPARENTE	

18	480006	TAPPO SEDE BOCCIA SALE CAP, FOR SALT CONT. SEAT PFROPFEN, SITZ FÜR SALZBEHALTER BOUCHON LOGEM. BAC A SEL TAPON ASIEN TO JARRA SAL	
19	437034	GUARNIZIONE D68D81S3 GOMMA GASKET, D68D81S3 RUBBER DICHTUNG, D68D81S3 GUMMI JOINT D68D81S3 CAOUTCHOUC JUNTA D68D81S3 GOMA	
20	429012	GHIERA TAPPA FORO BOCCIA SALE RING NUT, SALT CONT.LOCK.HOLE GEWINDERING, VERSCHL. SALZBEH. BAGUE FERME-TROU BAC A SEL VIROLA TAPA AGUJERO JARRA SAL	
21	220011	* MORSETTIERA 5.POLI + TERRA FV.122 * TERMINAL BOARD, 5-POLES + EARTH FV.122 * KLEMMENBRETT, 5-POLIG + ERDUNG FV.122 * PLAQUE A BORNE 5POLES + TERRE FV.122 * BORNERO 5. POLOS + TIERRA FV. 122	
22	H.324304-6	PASSACAVO PG21 CORE HITCH LIPPKLAMPE PASSE-CABLE PG21 SUJETA CABLES PG21	
23	417123	CONTRODADO PL.PG2104.36(168455) SHAFT FIXING COUNTERNUT BEFEST.GEGENMUTTER WELLE CONTRE-ÉCROU DE FIXATION CONTRATUERCA PL.PG2104.36(168455)	
24	H.374339-2	CAVO MACCHINA H07RN-F 5X2.5X3.0MT CABLE H07RN-F 5X2.5X3.0MT MASCHINE KABERL H07RN-F 5X2.5X3.0MT CABLE MACHINE H07RN-F 5X2.5X3.0MT * CABLE MAQUINA H07RN-F 5X2.5X3.0MT	
25	236047	TERM.CONTATTO /S.95ø+/-3ø THERM.,CONT. /S.95ø+/-3ø SICHERHEITSTHERMOSTAT THERM.CONTACT /S.95ø+/-3ø TERM.CONTACTO /S.95°+/-3° SIC.	
26	230111	RESIST.B.4900W/230-400V RESIST.B.4900W/230-400V WIDERS.B.4900W/230-400V RESIST.CHAUD.4900W/230-400V RESIST. B. 4900W/230-400V	
27	231016	SONDA TEMPERATURA TEMP. PROBE KUGEL SONDE SONDA TEMPERATURA (AMPOLLA ACERO)	
28	214108	PROTEZIONE TRASPARENTE PER IMPIANTO ELETTRICO PER I TRANSPARENT PROTECTION FOR ELECTRIC INSTALLATION F DURCHSICHTIGER SCHUETZ FUER ELEKTRISCHE ANLAGE DE PROTECTION TRANSPARENTE POUR INSTALLA- TION ELECTR PROTECC.EL.TELA TRANSP.485X300XSP0.13	
29	215032	SCHEDA ELETTRONICA GET50 MAIN BOARD KARTE CARTE ELECTRONIQUE TARJETA CHORROS50 MICRO 644	
36	228004	FUSIBILE 5X20 4A FAST FUSE, 5X20 4A FAST SICHERUNG, 5X20 4A FAST FUSIBLE 5X20 4A FAST FUSIBLE 5X20 4A FAST	
37	228011	FUSIBILE 5X20 T2A FUSE SICHERUNG FUSIBLE FUSIBLE 5X20 T2A	
38	228012	FUSIBILE 5X20 T160MA FUSE SICHERUNG FUSIBLE FUSIBLE 5X20 T160MA	

39	H.775599-001	* CONTATTORE QUADRIPOLARE 240V-50/60HZ * CONTACTOR, QUADRIPOLE 240V-50/60HZ * SCHALTSCHÜTZ, 4-POLIG 240V-50/60HZ * CONTACTEUR QUADRIPOLAIRE 240V-50/60HZ * CONTACTOR CUADRIPOLAR 240V-50/60HZ	
40	229029	RELE` FINDER 65.31 230/50 RELAY FINDER 65.31 230/50 RELAIS FINDER 65.31 230/50 RELAIS FINDER 65.31 230/50 RELE FINDER 65. 31 230/50	
45	107012	CAMPANA PRESSOSTATO (L) RV40-50-CAPOTE AIR TRAP LUFTFALLE PRISE D'AIR CAMPANA PRESOSTATO (L) RV40-50-CAPOTA	
46	437098	GUARNIZIONE NUOVA CAMP.PRESS. PACKING FOR AIR TRAP OF PRESSURE SWITCH DICHTUNG FUER LUFTFALLE JOINT PRISE D'AIRE PRESSOSTAT JUNTA NUEVA CAMP.PRES.	
47	417120	DADO PLASTICA GRIGIO PLASTIC NUT KUNSTSTOFFMUTTER 1-1/4 ECROU EN PLASTIQUE TUERCA PLASTICO GRIS	
48	236053	TERM.CONTATTO VASCA/S. 200ø (X5) THERM.,CONT. TANK/S. 200ø (X5) THERM.,KONT. TANK/S. 200ø (X5) THERM.CONTACT CUVE/S. 200ø (X5) TERM.CONTACTO CUBETA/S. 200° (X5)	
49	236056	TERM.CONTATTO VASCA/L.125°(16A)RV54 THERMOSTAT THERMOSTAT THERMOSTAT TERM.CONTACTO CUBETA/L.125°(16A)RV54	
50	999206	KIT RESIST.VASCA RV.50+PASTA CONDUTTIVA KIT, TANK RES. RV.50+CONDUCTIVE PASTE KIT, TANKWIDER. RV.50+LEITFAH. PASTE KIT RESIST.CUVE RV.50+PATE CONDUCTIVE KIT RESIST. CUBETA RV. 50+PASTA CONDUCTIVA	
51	028105	PIASTRINA FERMA SONDA FIXING PLATE PLATCHEN PLAQUETTE FISSAGE PLANCHITA PARADA SONDA	
52	80871	MICRO MAGNETICO MAGNETIC DOOR SWITCH TUERKONTAKTSCHALTER CONTACTE MAGNETIQUE CONTACTO MAGNETICO	
53	121075	FILTRO ASPIR.INOX(775239-001) FILTER, SUCT.INOX (775239-001) FUSSFILTER FILTRE ASPIR.INOX(775239-001) FILTRO ASPIR. INOX(775239-001)	
54	143194	TUBO 4x6 CRISTAL TRASPARENTE PIPE 4x6 CRISTAL, TRANSP. SCHLAUCH 4X6 CRISTAL, DURCHS. TUYAU 4x6 CRISTAL TRANSPARENT TUBO 4x6 CRISTAL TRASPARENTE	
55	143219	TUBETTO SANTOPRENE 6X10 RACCORDI+GHIERE TUBE, SANTOPRENE 6X10 FITTINGS+METAL RINGS MEMBRANSCHLAUCH SANTOPREN TUBE SANTOPRENE 6X10 RACC.+COLL.DE SERR. TUBITO SANTOPRENE 6X10 EMPALMES+VIROLAS	
56	209022	DOSAT.PERIST.DETERGENTE NON REG. PERISTALTIC DISPENSER PERISTALTISCHES DOSIERGERAET KLARSPUELER DOSEUR PÉRISTALTIQUE DOSSIFIC.PERIST.DETERGENTE NO REG.	
57	468151	RACCORDO ENTRATA SAPONE CPL NM * SALDATO UNION, EXTRA DET. CPL NM * WELDED TANKEINLAUF CPL NM* RACCORD ENTREE SAVON CPL NM * SOUDE EMPALME ENTRADA JABON CPL NM * SOLDADO	

58	456002	OR 48x6,2 O-ring 48x6,2 O-Ring 48x6,2 OR 48x6,2 OR 48x6,2	
59	69871	PORTASONDA PROBE HOLDER SONDENHALTER PORTE-SONDE PORTASONDA	
60	69870	PROTEZIONE RESISTENZA BOILER BOILER HEATING ELEMENT PROTECTION HEIZUNGSSCHUETZ DES WARMWASSERBEREITERS PROTECTION RESISTANCE BOILER PROTECCION RESISTENCIA CALENTADOR	
61	224015	PRESSOSTATO-40/18 LAVORO PRESSURE SWITCH-40/18 WORKING MODE DRUCKSCHALTER-40/18 BETRIEB PRESSOSTAT-40/18 TRAVAIL PRESOSTATO-40/18 TRABAJO	
62	224016	PRESSOSTATO 95/70 SIC.+/-5 (761999-17) MAIN PRESSURE SWITCH 95/70 SIC.+/-5 ARBEITSDRUCKWAECHTER 95/70 SIC.+/-5 PRESSOSTAT DE TRAVAIL 95/70 SIC.+/-5 PRESOSTATO 95/70 SEGUR.+/-5 (761999-17)	
63	035031	RACCORDO A "Y" PRESSOSTATO 760 UNION, Y-TYPE, PRESSURE SWITCH 760 Y-VERBINDUNGSST., DRUCKSCHALTER 760 RACCORD A "Y" PRESSOSTAT 760 EMPALME "Y" PRESOSTATO 760	

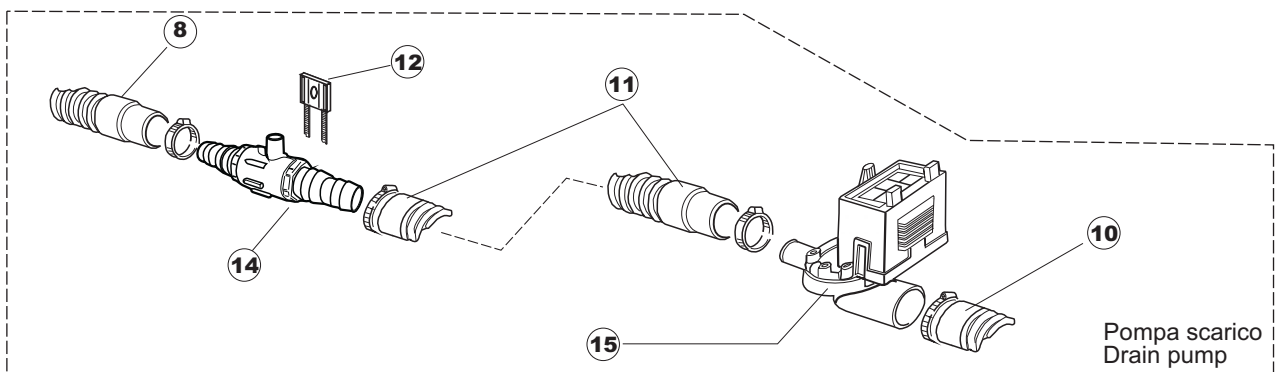
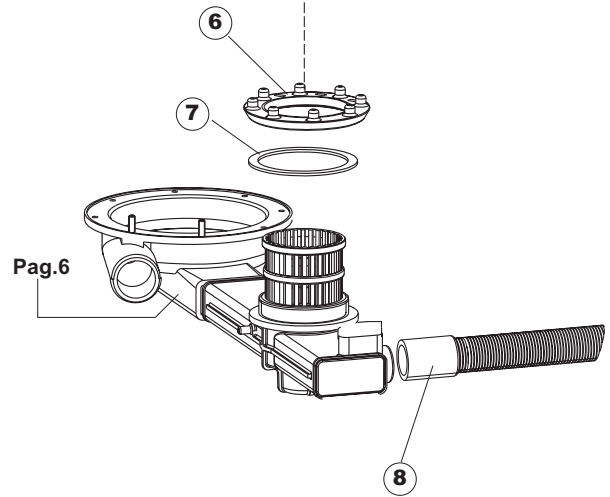
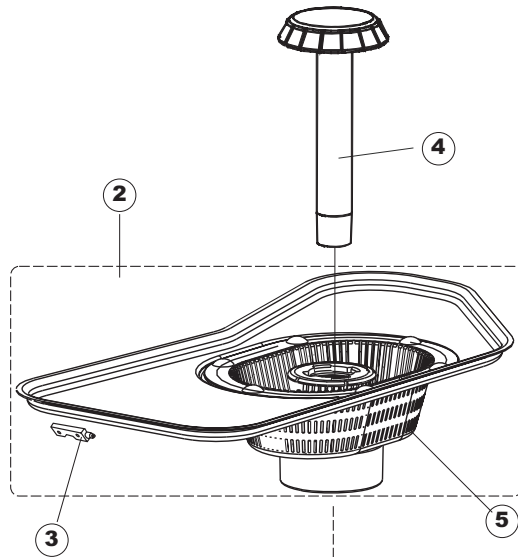
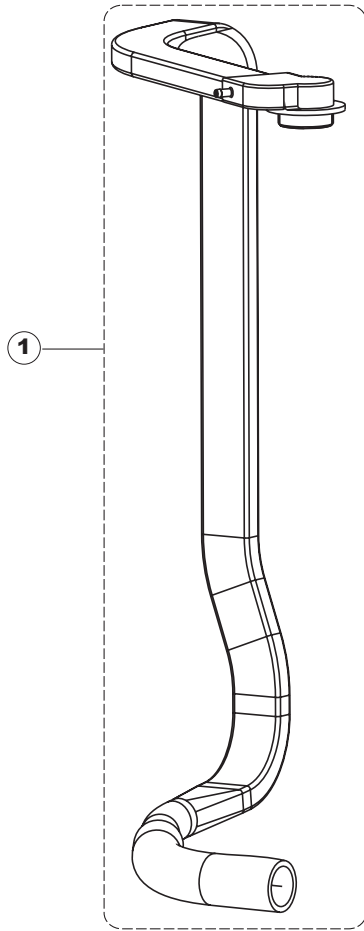
3



Pagina 3

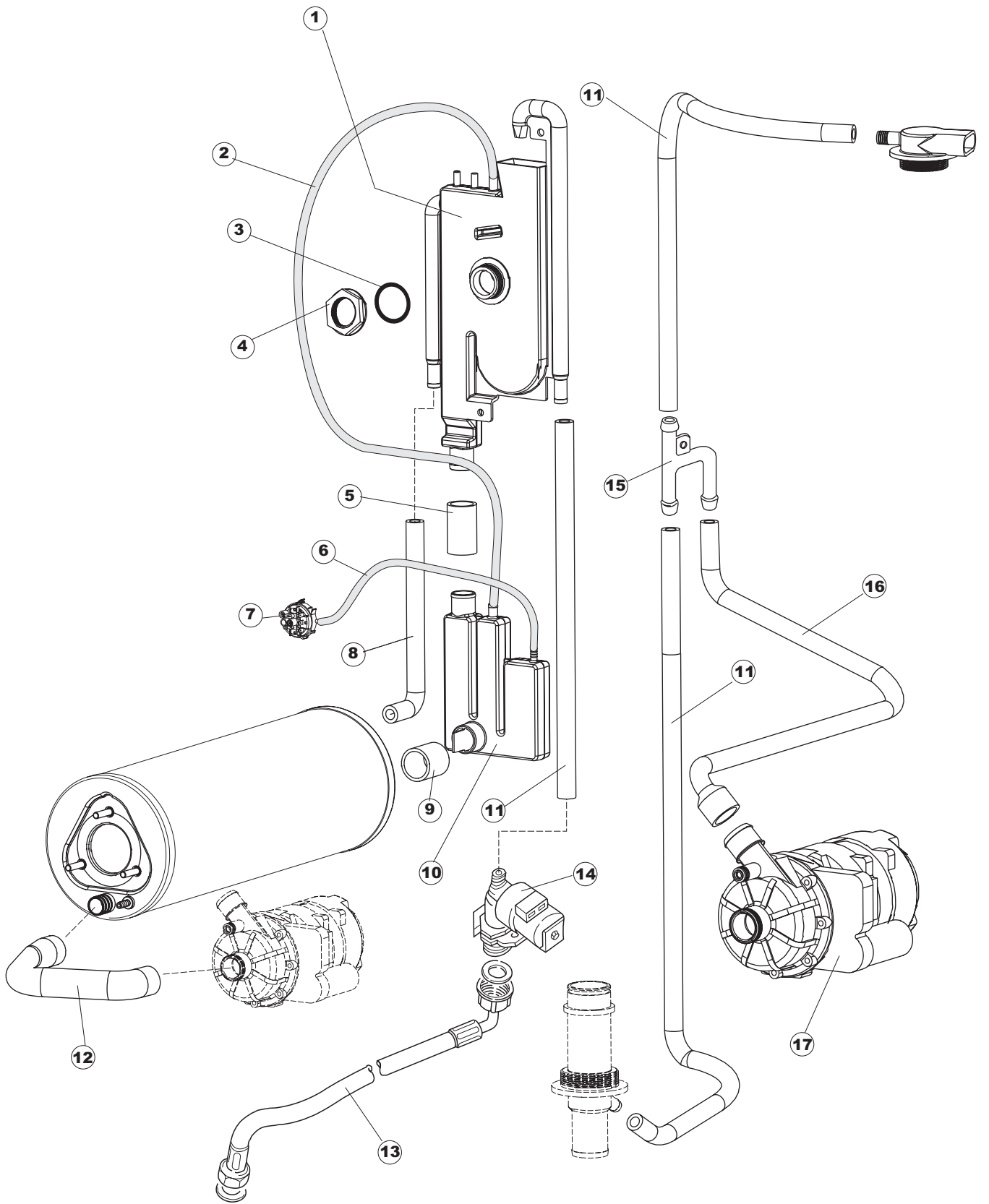
1	437079	GUARNIZIONE CORPO INFER.E35/40 GASKET, LOWER SHELL E35/40 DICHTUNG, UNT.GEHAUSE E35/40 JOINT CORPS INF.E35/40 JUNTA CUERPO INFER. E35/40	
2	429069	GHIERA COND.CENTRALE X5 RING NUT, CENTR.PIPELINE X5 GEWINDERING, HAUPTLEITUNG X5 BAGUE COND.CENTR. X5 VIROLA COND. CENTRAL X5	
3	303032	ANELLO INOX DI TENUTA LAVAGGIO X5 RING, INOX WASH. SEAL X5 DICHTUNGSRING, INOX SPÜL. X5 BAGUE INOX D'ETANCHEITE LAVAGE X5 ANILLO INOX DE ESTANQ. LAVADO X5	
4	325070	PROLUNGA PERNO RISC.SUP.X5 EXTENSION, FOR UPPER RINSE PIN X5 VERLANGERUNG, FÜR OB. NACHSPÜLZAPFEN X5 RALLONGE PIVOT RINC.SUP.X5 ALARGADOR PERNO ENJUAGUE SOP. X5	
5	80345	GR.PETTINE LAVAGGIO INOX NM NEW WASH BOSS ASSEMBLY SPUELARM KOMPL. GROUPE RAMPE LAVAGE GR.PEINE LAVADO INOX NM	
6	993064	GR.RISCIACQUO SUP.RIVER 54* RINSE ARM ASSEMBLY RIVER 54 NACHSPUELGRUPPE RIVER 54 RAMPE RINCAGE SUP. RIVER 54 GR. ENJUAGUE SUP. RIVER 54	
7	80623	ANELLO IN TEFLON 22X9,5X1 RING 22X9,5X1 RING 22X9,5X1 RING 22X9,5X1 ANILLO DE TEFLON 22X9,5X1	
8	80697	GHIERA ULTRA RINSE INOX NUT RING BAGUE VIROLA ULTRA RINSE INOX	
9	80700	PERNO RISCIACQUO HINGE STIFT BROCHES PERNO	
10	69632	CORPO PETTINE ARM BODY KOERPER DES NACHSPUELARMES CORPS BRAS CUERPO PEINE ENJUAGUE.	
11	456019	OR 2037 O-ring 2037 O-Ring 2037 OR 2037 OR 2037	
14	140019	SPRUZZO RISCIACQUO CL.3-NS.COD.165279 SPRAY CL.3-NS.COD.165279 SPRITZ KL.3-NS.SERIENN.165279 JET RINCAGE CL.3-NS.COD.165279 ROCIADOR ENJUAGUE CL. 3	
15	456060	OR 2025(CGR2025) O-ring 2025(CGR2025) O-Ring 2025(CGR2025) OR 2025(CGR2025) OR 2025(CGR2025)	
16	926132	TAPPO PL.X BRACCIO DI RISC.(DWT312) CAP, PLASTIC FOR WASH. ARM (DWT312) PFROPFEN, KUNST. FÜR NACHSPÜLARM (DWT312) BOUCHON PL.POUR BRAS DE RINC.(DWT312) TAPON PL. X BRAZO DE ENJUAGUE (DWT312)	
18	417111	BUSSOLA PETTINE LAV.X5 BUSHING, WASH-ARM X5 BUCHSE, SPÜLKAMM X5 DOUILLE PEIGNE LAV.X5 CASQUILLO PEINE LAV. X5	

19	308031	GHIERA BUSSOLA LAVAGGIO X5 RING NUT, WASH.BUSH X5 GEWINDERING, SPÜL.BUCHSE X5 BAGUE DOUILLE LAVAGE X5 VIROLA CASQUILLO LAVADO X5	
21	199053	DISCO PARZIAL.ACQUA X5 DISC, WATER FLOW REDUCER X5 DROSSELSCHEIBE, WASSER X5 DISQUE ETRANGL. EAU X5 DISCO PARCIAL. AGUA X5	
23	143004	TUBO PRESS.TP 10X17 (CASER/15NL C4N) PIPE, PRESSURE SWITCH TP 10X17 (CASER/15NL C4N) ROHR, DRUCKSCHALTER TP 10X17 (CASER/15NL C4N) TUYAU PRESS.TP 10X17 (CASER/15NL C4N) TUBO PRES. TP 10X17 (CASER/15NL C4N)	
24	127065	MANICOTTO LAVAGGIO SUP.X5 SLEEVE, WASH. UPP.X5 MUFFE, SPÜL. OB.X5 MANCHON LAVAGE SUP.X5 MANGUITO LAVADO SUP. X5	
25	115118	CONDOTTO CENTR.INF.RV54+TAPPO LOWER CENTRAL WASH-PIPELINE+CAP ZENTRALWASCHLEITUNG -UNTEN + DECKEL CONDUITE CENTRALE INFERIEURE+BOUCHON CONDUCTO CENTR.INF.RV54+TAPON	
26	127064	MANICOTTO LAVAGGIO INF.X5 SLEEVE, WASH. LOW.X5 MUFFE, SPÜL. UNTEN X5 MANCHON LAVAGE INF.X5 MANGUITO LAVADO INF. X5	
27	104061	BOILER CRP LA50 BOILER CRP BOILER CRP SURCHAUFFEUR CRP CALENTADOR CRP LA50	
29	143005	TUBO PRESS.TP 5x11 (CASER/15/NL C4N) PIPE, PRESSURE SWITCH TP 5x11 (CASER/15/NL C4N) SCHLAUCH TP 5X11 (CASER/15/NL C4N) TUYAU PRESS.TP 5x11 (CASER/15/NL C4N) TUBO PRES. TP 5x11 (CASER/15/NL C4N)	
30	999313	GRUPPO RACCORDO INIEZIONE	
32	209024	DOSAT.PERIST.BRILLANTANTE NON REG. PERISTALTIC DISPENSER PERISTALTISCHES DOSIERGERAET REINIGER DOSEUR PÉRISTALTIQUE DOSIFIC.PERIST. ABRILLANTADOR NO REG.	
33	143251	TUBETTO SILICONE 6X10 RACCORDI+GHIERE TUBE 6X10 MEMBRANSCHLAUCH SILICON TUBE 6X10 TUBITO SILICONA 6X10 EMPALMES+VIROLAS	
34	H.775601	TUBO 4x6 CRISTAL BLUE PVC PIPE 4x6 CRISTAL BLUE PVC ROHR 4x6 CRISTAL BLAU PVC TUYAU 4x6 CRISTAL BLEU PVC TUBO 4x6 CRISTAL AZUL PVC	
35	121075	FILTRO ASPIR.INOX(775239-001) FILTER, SUCT.INOX (775239-001) FUSSFILTER FILTRE ASPIR.INOX(775239-001) FILTRO ASPIR. INOX(775239-001)	



Pagina 4

1	115139	CONDOTTA LAV. EST. PL. X5 CON MANICOTTO EXTERIOR WASH PLASTIC PIPE X5 WASCHLEITUNG AUSSEN PL. X5 CONDUITE LAVAGE EXT. PL. CPL X5 CONDUCTO LAV. EXT. PL. X5 CON MANGUITO	
2	121110	FILTRO VASCA X5 CPL FILTER, TANK - X5 CPL FILTER, TANK - X5 CPL FILTRE CUVE X5 CPL FILTRO CUBETA X5 CPL	
3	217003	MAGNETE M302AF MAGNET M302AF MAGNET M302AF AIMANT M302AF IMAN M302AF	
4	142054	TROPPO PIENO X5 OVERFLOW X5 ÜBERLAUF X5 TROP-PLEIN X5 REBOSE X5	
5	121109	RACCOGLITORE FILTRO GRIGIO X5 TRAY FOR FILTER, GREY X5 TROPFSCHALE FÜR FILTER, GRAU X5 PLATEAU A FILTRE GRIS X5 RECOGIDA TORE FILTRO GRIS X5	
6	429068	GHIERA FISSA COLLETTORE X5 RING NUT, COLL. FIX. X5 GEWINDERING, SAMMELLEIT. X5 BAGUE FIXE COLLECTEUR X5 VIROLA FIJA COLECTOR X5	
7	437087	GUARNIZ. GOMMA CONDOTTO ASP. X5 GASKET, RUBBER, EXHAUST. PIPELINE X5 DICHTUNG, GUMMI, ABSAUG. LEITUNG X5 JOINT CAOUTCHOUC CONDUITE ASP. X5 JUNTA GOMA CONDUCTO ASP. X5	
8	143178	TUBO SCARICO - 50 PIPE, DRAIN - 50 ABLASSROHR - 50 TUYAU VIDANGE - 50 TUBO DESCARGA - 50	
10	127086	MANICOTTO ASPIRAZ. POMPA SC. RV54 DRAIN PUMP INLET HOSE ANSAUGSCHLAUCH UMWÄELZPUMPE DURITE ASPIR. POMPE VIDANGE MANGUITO ASPIRAC. BOMBA DESC. RV54	
11	127037	MANICOTTO SCARICO CLEAN.3 SLEEVE, DRAIN CLEAN.3 MUFFE, ABLAUF CLEAN.3 MANCHON VIDANGE CLEAN.3 MANGUITO DESCARGA CLEAN. 3	
12	423013	FASCETTA 360x4.5M CLAMP, 360x4.5M SCHELLE, 360x4.5M BANDE DE SERRAGE 360x4.5M ABRAZADERA 360x4. 5M	
14	144003	VALVOLA DI SFIATO P./SCARICO RELIEF VALVE, DRAIN PUMP ENTLÜFTUNGSVENTIL, ABLASSPUMPE SOUPAPE DE VIDANGE VALVULA ALVIAD. P. /DESCARGA	
15	130123	POMPA SCARICO (450/D18/VICT.12/32) DRAIN PUMP (450/D18/VICT.12/32) ABLASSPUMPE (450/D18/VICT.12/32) POMPE VIDANGE (450/D18/VICT.12/32) BOMBA DESCARGA (450/D18/VICT. 12/32)	

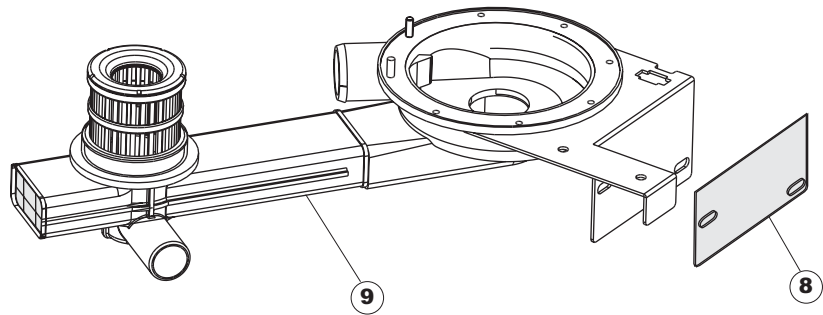
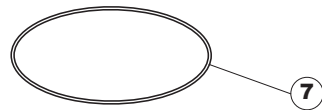
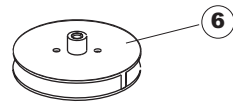
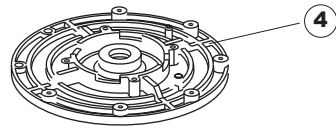
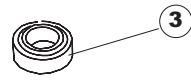
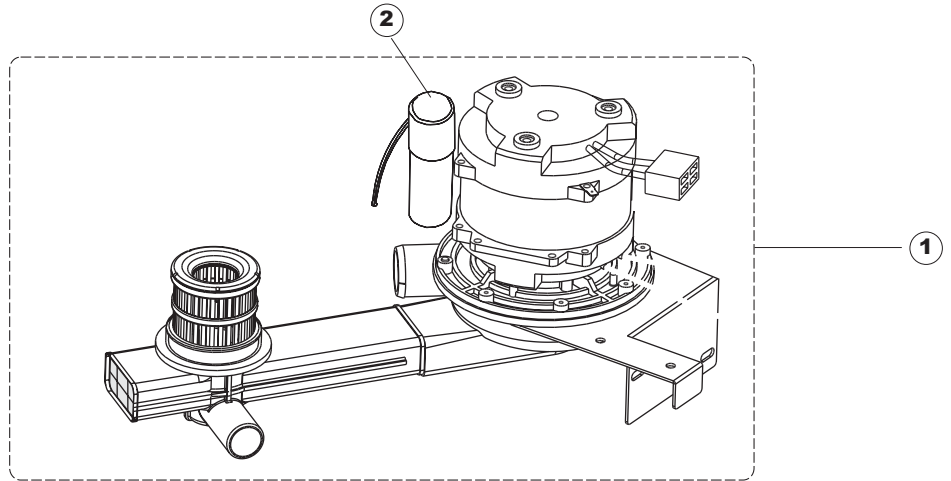


Pagina 5

1	144021	AIRGAP SPECIALE LA50 PLASTIC AIRGAP AIR GAP GEOFFNETER BEHAELTER AIRGAP SPECIAL LA50 AIRGAP ESPECIAL LA50	
2	H.165168	TUBO PVC 6X9 CRISTAL TRASP. RAUCLAIR PVC PIPE PVC SCHLAUCH TUYAU PVC * TUBO PVC 6X9 CRISTAL TRANSPARENTE	
3	437104	GUARNIZIONE D45D33S2 EPDM 70SH RUBBER GASKET DICHTUNG JOINT JUNTA D45D33S2 EPDM 70SH	
4	417125	DADO IN PLAST.CON COLLARE(171571) NUT MUTTER ECROU TUERCA DE PLAST.CON COLLAR(171571)	
5	127096	MANICOTTO BREAK TANK->SISTEMA CRP LA50 BREAK TANK MANIFOLD MUFFE MANGUITO BREAK TANK->SISTEMA CRP LA50	
6	143235	TUBO 4x7 SILICONE TRASPARENTE CRP PIPE 4x7 SILICONE, TRANSP. CRP SCHLAUCH 4X7 SILIKON DURCHS. CRP TUBO 4x7 SILICONA TRASPARENTE CRP	
7	224024	PRESSOSTATO 35/22 PRESSURE SWITCH 35/22 DRUCKWAECHTER 35/22 PRESSOSTAT 35/22 PRESOSTATO - 35/22 CRP LA50	
8	127098	MANICOTTO SFIATO BOILER CRP->BT COUPLING LA50 MUFFE LA50 MANCHON LA50 MANGUITO ALVIAD. CALENTADOR CRP->BT LA50	
9	127095	MANICOTTO BOILER->SISTEMA CRP MANIFOLD MUFFE MANGUITO CALENTADOR->SISTEMA CRP	
10	144027	SISTEMA CARICAMENTO CRP PLASTIC AIRGAP AIR GAP GEOFFNETER BEHAELTER SISTEMA CARGA CRP	
11	143004	TUBO PRESS.TP 10X17 (CASER/15NL C4N) PIPE, PRESSURE SWITCH TP 10X17 (CASER/15NL C4N) ROHR, DRUCKSCHALTER TP 10X17 (CASER/15NL C4N) TUYAU PRESS.TP 10X17 (CASER/15NL C4N) TUBO PRES. TP 10X17 (CASER/15NL C4N)	
12	69068	MANICOTTO ASPIRAZ.CRP LA50 INTAKE COUPLING LA50 SAUGMUFFE LA50 MANCHON D'ASPIRATION MANGUITO ASPIRAC.CRP LA50	
13	143170	TUBO CARICO 60.10.02.15 DVGW PIPE, LOAD 60.10.02.15 DVGW ZULAUFSCHLAUCH, WASSER 60.10.02.15 DVGW TUYAU CHARG. 60.10.02.15 DVGW TUBO CARGA 60. 10. 02. 15 DVGW	
14	240018	VALVOLA DI CARICO 1 VIA CRP LOADING S.VALVE 1-WAY CRP ZUFLUSSVENTIL 1-WEG CRP SOUPAPE DE CHARG. 1 VOIE CRP VALVULA DE CARGA 1 VIA CRP	
15	143173	GIUNZIONE RISC.PLAST.35/40/50 JOINT, RINSE PLAST.35/40/50 VERBIND., NACHSPÜLEN KUNST.35/40/50 JOINT RINC.PLAST.35/40/50 UNION ENJUAGUE PLAST. 35/40/50	

16	127097	MANICOTTO MANDATA POMPA CRP->H PUMP DELIVERY COUPLING CRP-H DRUCKMUFFE PUMPE CRP-H MANCHON DE REFOULEMENT POMPE CRP-H MANGUITO IMPULSION BOMBA CRP->H	
17	80627	ELETTROPOMPA 200W 230V-1PH-50HZ CON CONDENSATOR PUMP PUMPE POMPE ELECTROBOMBA ENJUAGUE 200W	

6



Pagina 6

1	130987	GRUPPO POMPA RV54 + COLLETT.ASP.810W PUMP ASSEMBLY PUMPEN MOTOPOMPE + COLLECTEUR GRUPO BOMBA RV54 + COLECT.ASP.810W	
2	206004	CONDENSATORE DA 16 mF CONDENSER - 16 mF KONDENSATOR - 16 mF CONDENSATEUR DE 16 mF CONDENSADOR DE 16 mF	
3	314001	CUSCINETTO 6201/2Z BEARING 6201/2Z LAGER 6201/2Z PALIER 6201/2Z COJINETE 6201/2Z	
4	315027	FLANGIA POMPA X5 FLANGE, PUMP X5 FLANSCH, PUMPE X5 BRIDE POMPE X5 BRIDA BOMBA X5	
5	141007	TENUTA MECC.D.26x13x5,5 BR. SEAL, MECH..D.26x13x5,5 BR. DICHTUNG, MECH.D.26x13x5,5 BR. JOINT MECAN.D.26x13x5,5 BR. SELLO MEC. D. 26x13x5,5 BR.	
6	124052	GIRANTE POMPA X5 PUMP IMPELLER X5 LAUFRAD, PUMPE X5 ROUE POMPE X5 ROTOR BOMBA X5	
7	456067	OR 3475 MOTORE O-ring 3475 MOTO-ring O-Ring 3475 MOTOR OR 3475 MOTEUR OR 3475 MOTOR	
8	437089	GUARNIZ.GOMMA STAFFA POMPA X5 GASKET, RUBBER, PUMP BRACKET X5 DICHTUNG, GUMMI, PUMPENBÜGEL X5 JOINT CAOUTCHOUC ETRIER POMPE X5 JUNTA GOMA SOPORTE BOMBA X5	
9	111034	COLLETTORE ASP.+ CALOTTA RV54 MAINFOLD ZULAULEITUNG COLLECTEUR COLECTOR ASP.+ CAPERUZA RV54	