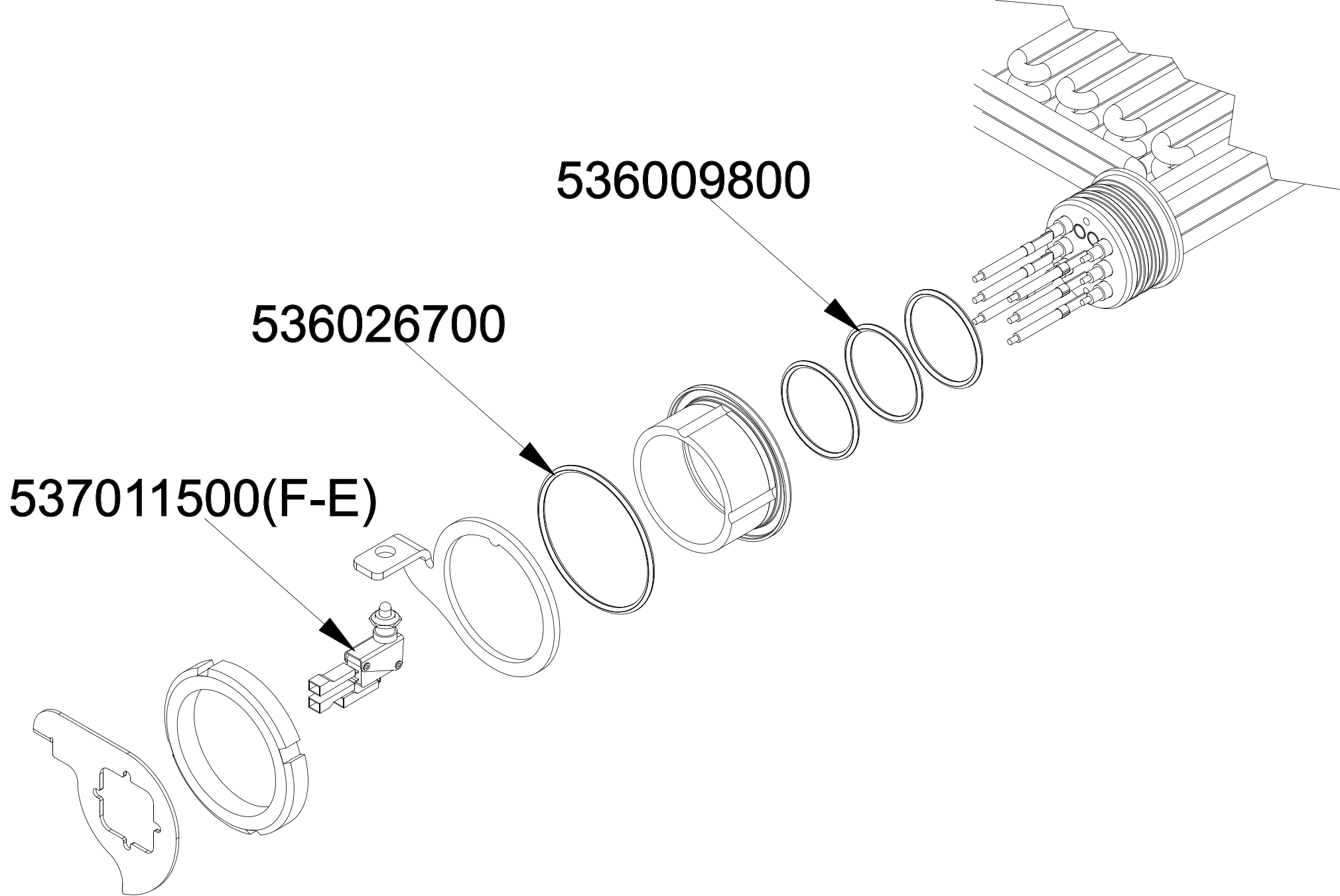
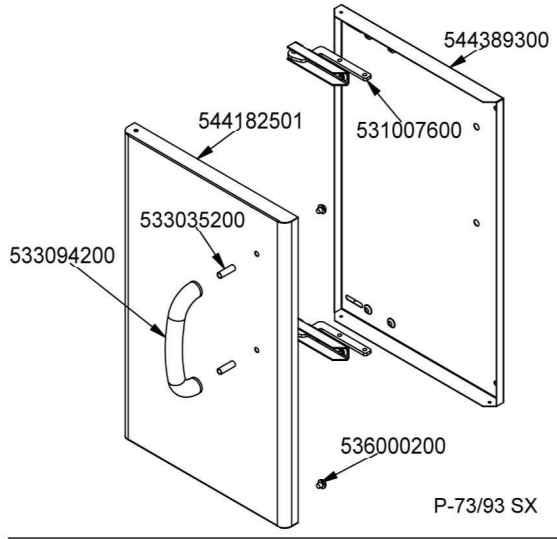


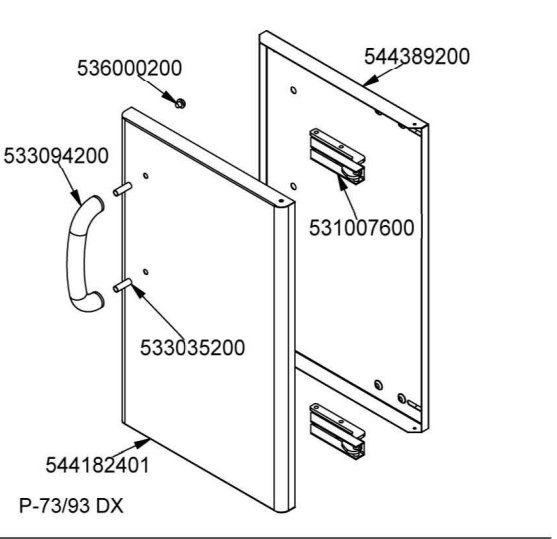
560100200M01P00



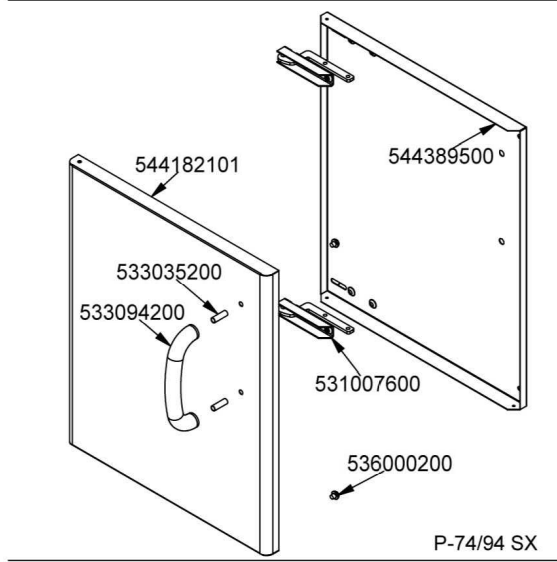
560111000 M00P00



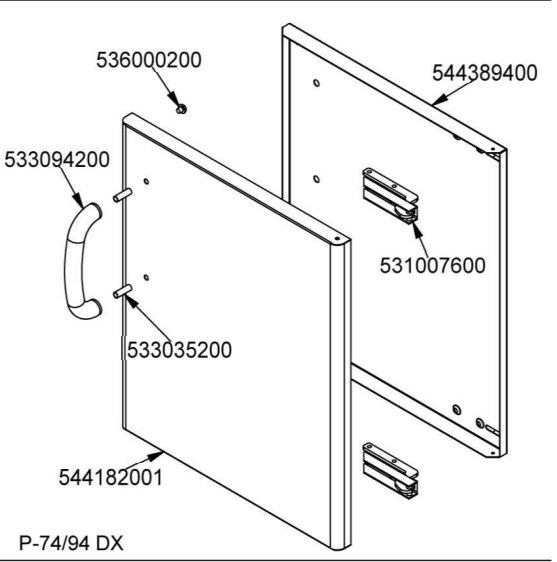
P-73/93 SX



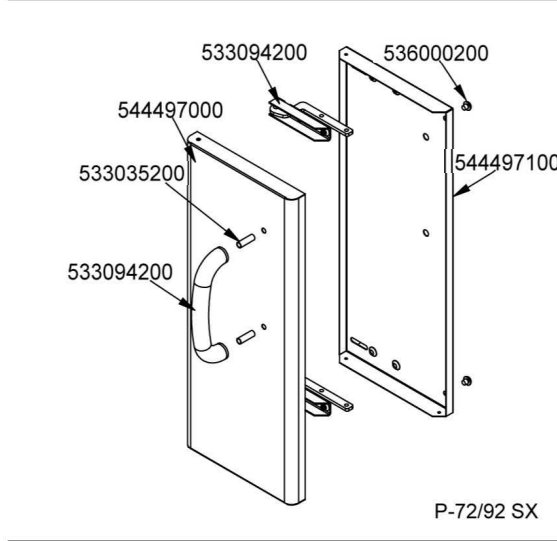
P-73/93 DX



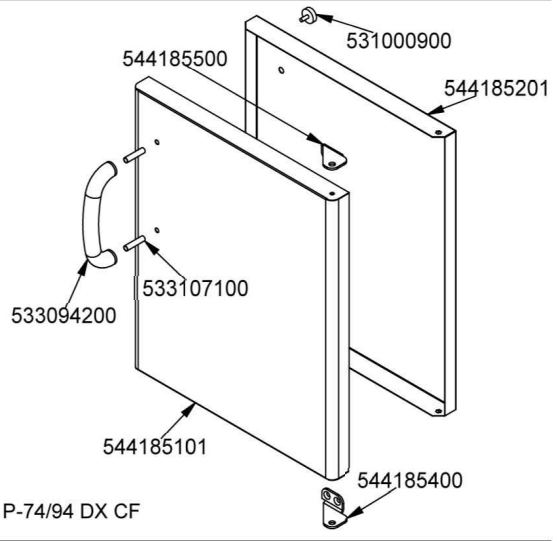
P-74/94 SX



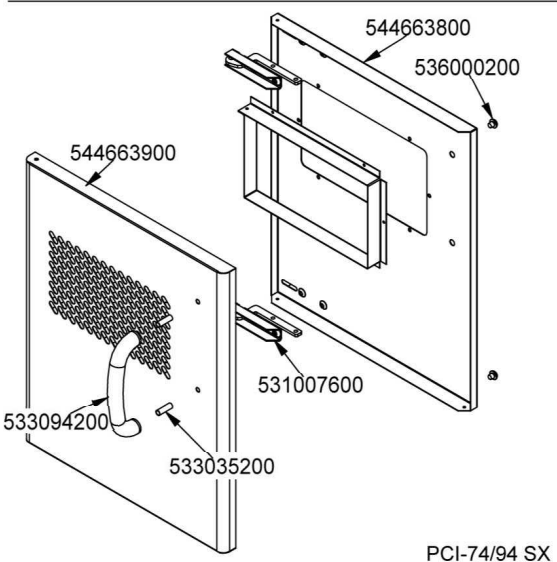
P-74/94 DX



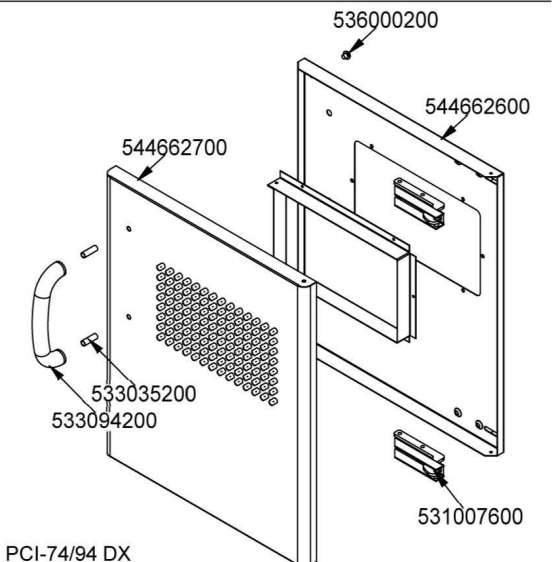
P-72/92 SX



P-74/94 DX CF



PCI-74/94 SX



PCI-74/94 DX

Page	Pos	Code	Description
001		533094300	S/S HANDLE FOR 600T.LINE
001		544543100	COP.VASCA F13-64E
001		537032000	HEATING ELEMENT 9750W 230V 3ELEMENT
001		537032001	RES.COR.ROT.F13 11950W 3-230V
001		531013300	FRYER BASKET 10LTS.GAS/70EL.
001		541201500	UPPER PLATE F 13 -64E
001		531051900	TANK FILTER/BASKET SUPPORT F13-74E
001		537009500	REMOTE CONTR.SWITCH35A 690V B.230V
001		537027400	TERMINAL BLOCK THREEPHASE 40A
001		537001400	SAFETY THERMOSTAT 235°C THREEPHASE
001		537001300	SAFETY THERMOST.235°C SINGLEPH+NUT
001		544508700	FIANCO APP.S60M SX
001		533044401	M8 THREADED CAP FOR SEC.THERMOSTAT
001		537036500	TERMINAL BLOCK 4POLES 40A SCREW-SCR
001		541107500	CONTROL PANEL F13/18-74E
001		537010100	REMOTE CONTROL SWITCH 20A 230V
001		531018600	BALL VALVE 1"G M-F CPM-62G
001		541153900	BASIN FOR DRIP TRAY 18LT S55
001		541146300	CONTROL PANEL FE-45 ORANGE *NEW L.*
001		544508600	FIANCO APP.S60M DX
001		531048400	INOX LEG Ø1"3/4 100-165 M10
002		537000600	THERMOSTAT 90-180°C SINGLEPHASE
002		539018900	INDEX FOR KNOB W/RED SIGN
002		537000400	COMMUTATOR 1POS.SINGLEPHASE S49 16A
002		537001200	FIXING BRACKET FOR THERMOSTAT/COMM.
002		536034400	KNOB §77 4P. §06*4,6 C/M
002		539054200	STAMP Ø20,5 CR."L" LOTUS R.
002		539062300	RED STICKING DISK 72 (110,190°
002		537035400	HEATING ELEMENT 00003W 330KOHM W/F
002		537014200	GREEN WARNING LIGHT 250V
002		537014100	WHITE WARNING LIGHT 250V
002		537024100	RED WARNING LIGHT LOW BUD 110V
003		536009800	GASKET O-RING 47,22X3,53 VITON
003		536026700	GASKET O-RING 74,61X3,53 VITON
003		537011500	MICRO-SWITCH 10A 400V
004		544389300	CONTROP.73 SX APP. LT
004		531007600	DOOR HINGE
004		544182501	LEFT DOOR 73
004		533094200	S/S HANDLE FOR 70/90 SERIES
004		533035200	HANDLE SPACER
004		536000200	D.12 H.4 BUMPER
004		544389200	CONTROP.73 DX APP. LT
004		544182401	RIGHT DOOR 73
004		544182101	LEFT DOOR 74
004		544389500	INNER-DOOR OF LHD 74
004		544389400	CONTROP.74 DX APP. LT
004		544182001	RIGHT DOOR 74
004		544497000	PORTA 72 SX
004		544497100	CONTROP.72 SX APP. LT
004		544185101	RIGHT DOOR 74 CF
004		533107100	HANDLE SPACER OF CF-70

Page	Pos	Code	Description
004		544185500	UPPER DOOR HINGE FOR COMPARTME CF70
004		531000900	MAGNET §22 KG.3 WITH DISK
004		544185201	INNER DOOR * 74DX
004		544185400	LOWER DOOR HINGE FOR COMPARTME CF70
004		544663900	LHD 74 DOOR FOR PCI
004		544663800	74 LHD OVEN INNER DOOR FOUR PCI
004		544662700	DOOR 74 DX PCI
004		544662600	CONTROP.74 DX APP. LT PCI