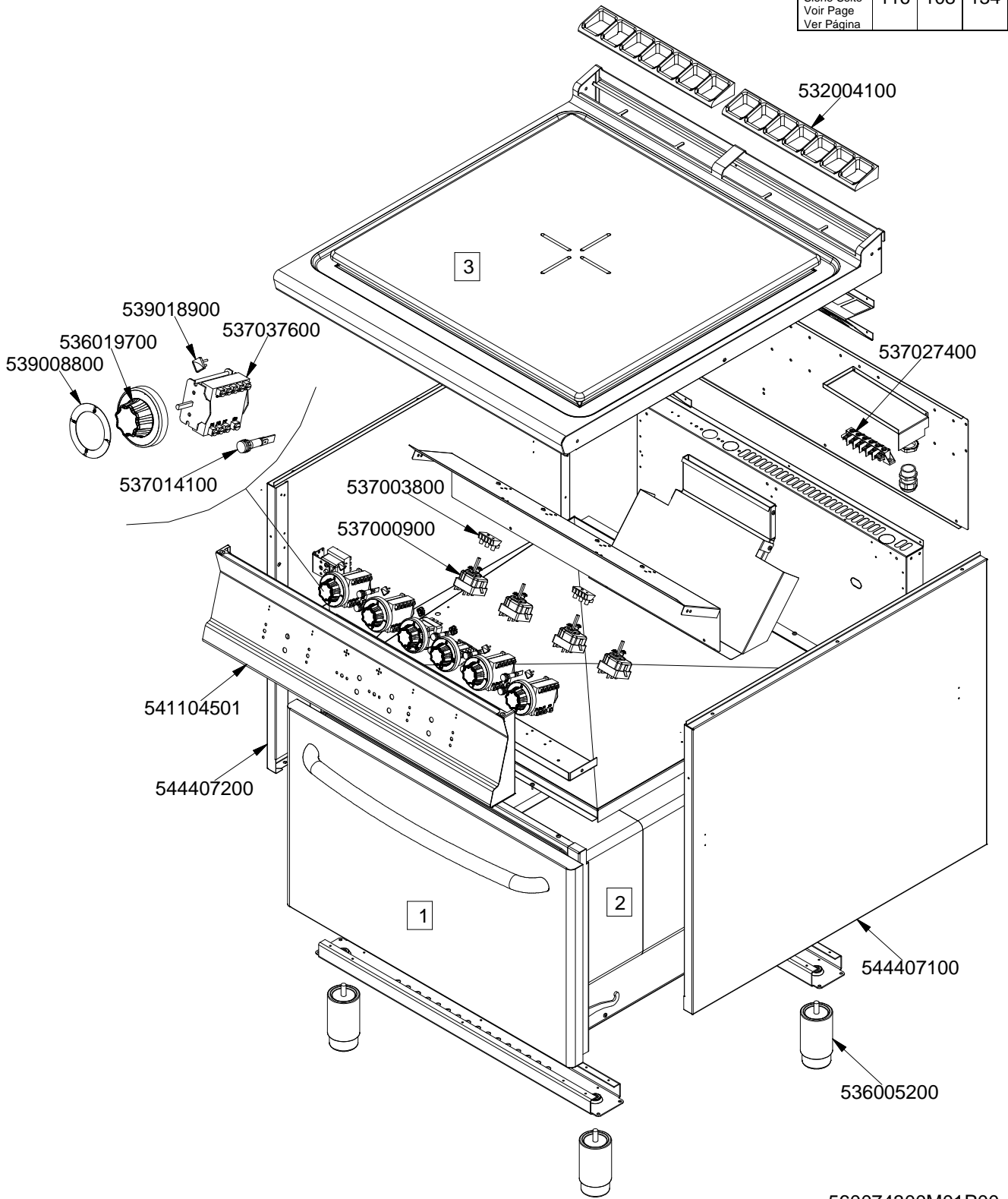


# IPERLOTUS 90

CUCINE / RANGES / HERDE / CUISINIÈRES  
TPF...

## TPF-98ET

|                                                                   | 1   | 2   | 3   |
|-------------------------------------------------------------------|-----|-----|-----|
| Vedi Pagina<br>See Page<br>Siehe Seite<br>Voir Page<br>Ver Pàgina | 116 | 108 | 134 |



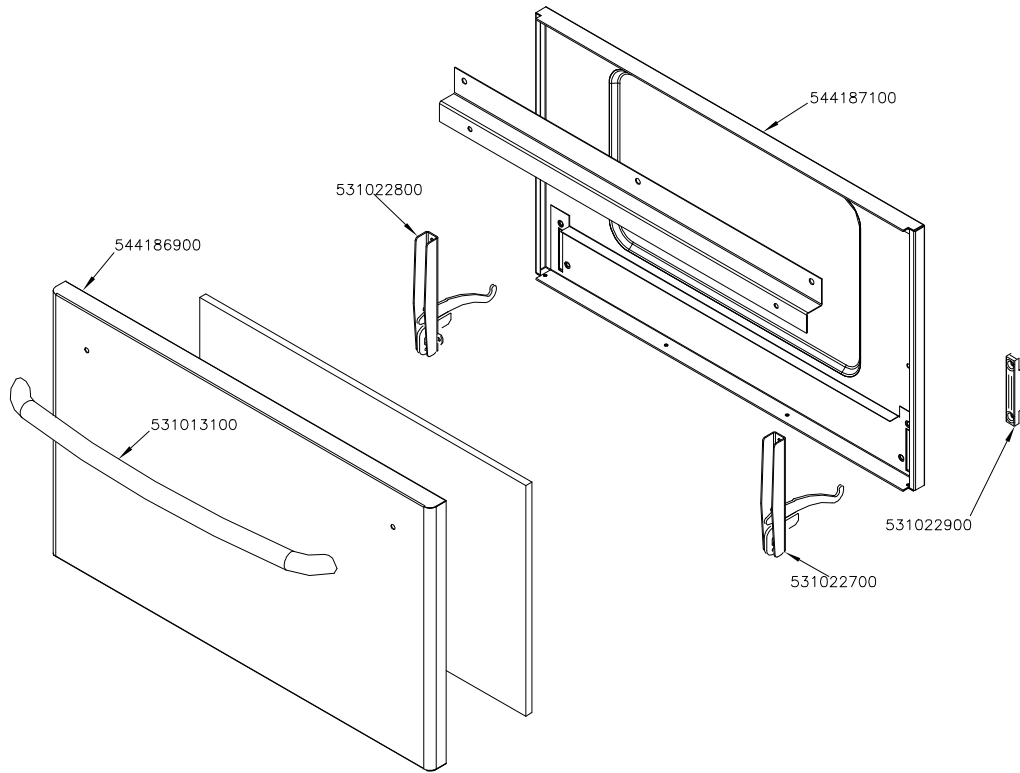
560074300M01P00.

# IPERLOTUS 90

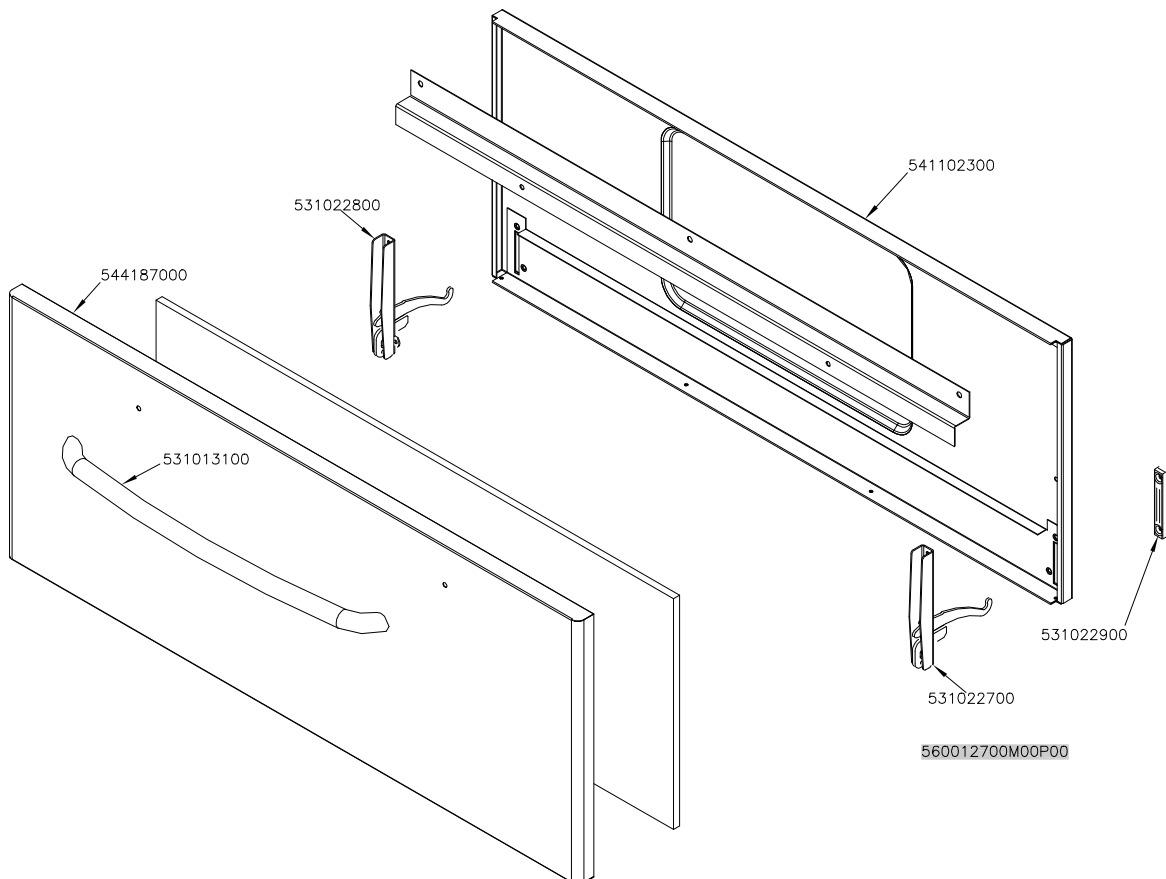
CUCINE / RANGES / HERDE / CUISINIÈRES  
FORNO / OVEN / BACKOFEN / FOUR

## PORTE / DOORS / TÜREN / PORTES

GN 2/1



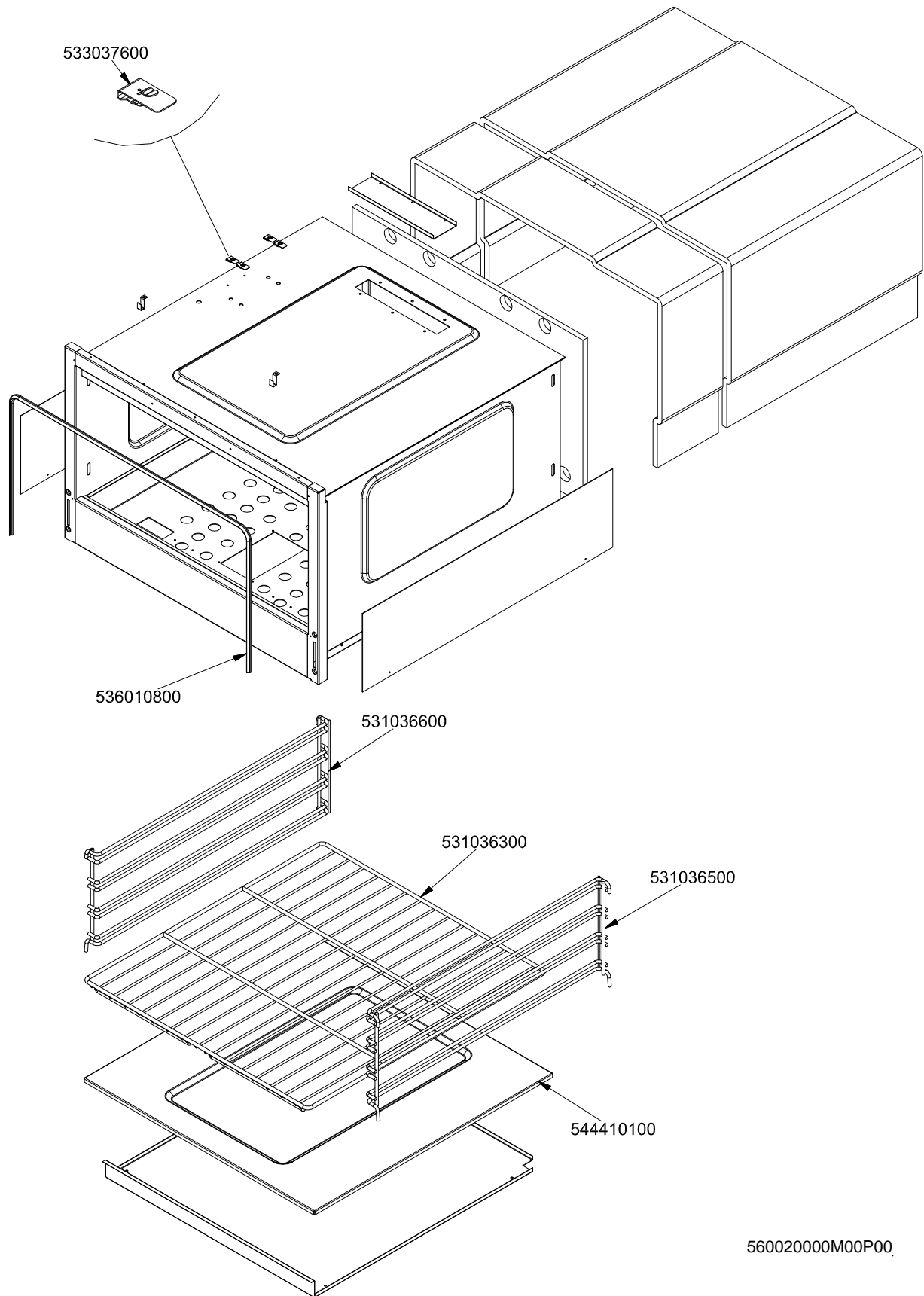
GN 3/1



# IPERLOTUS 90

CUCINE / RANGES / HERDE / CUISINIÈRES  
FORNO / OVEN / BACKOFEN / FOUR

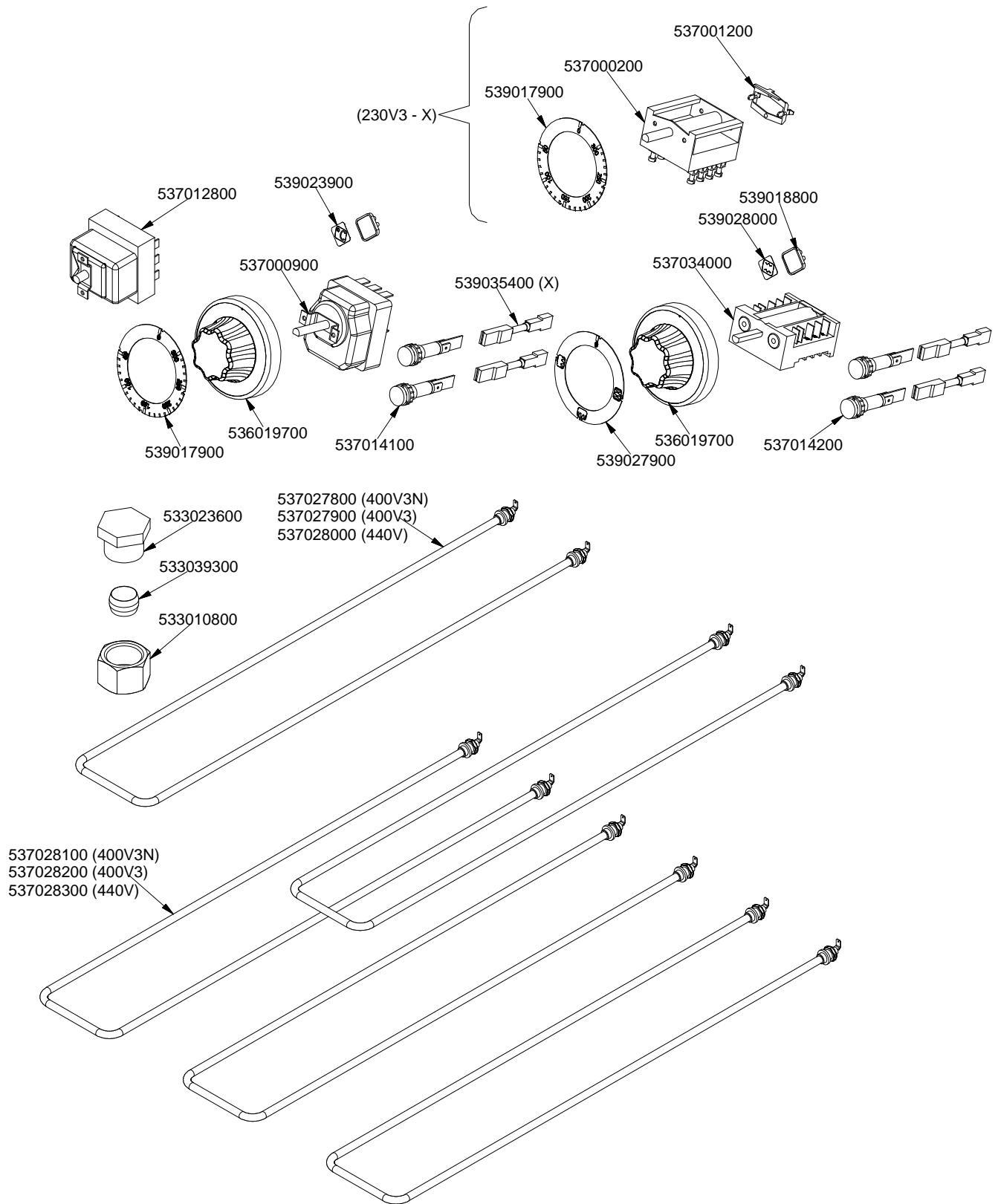
ELETTRICO / ELECTRICAL / ELEKTRO / ELECTRIQUE / GN 2/1 / X



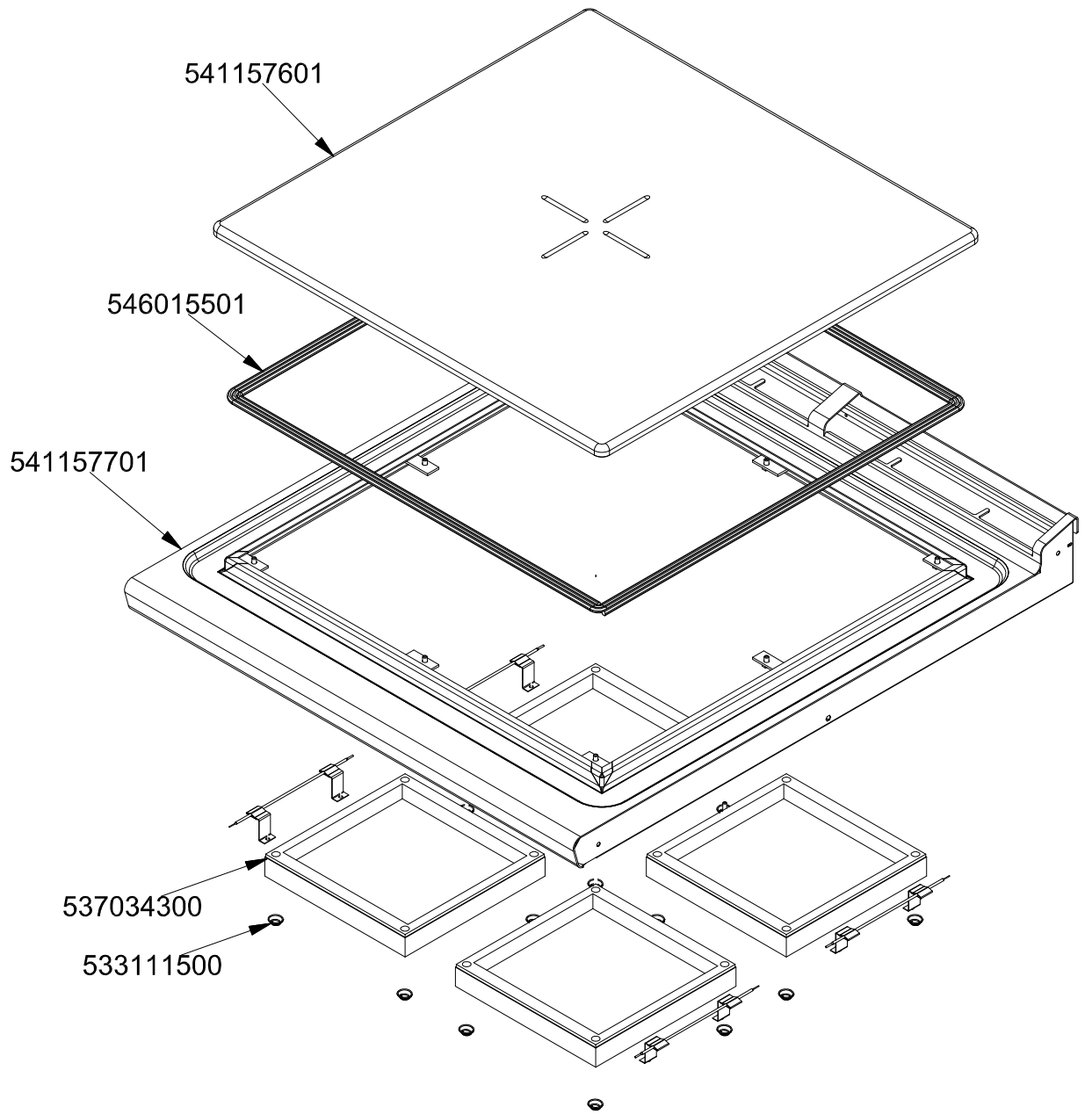
# IPERLOTUS 90

CUCINE / RANGES / HERDE / CUISINIÈRES  
FORNO / OVEN / BACKOFEN / FOUR

ELETTICO / ELECTRICAL / ELEKTRO / ELECTRIQUE / GN 2/1 / X



**TP-ET**



560074700M00P00.

| Page | Pos | Code      | Description                         |
|------|-----|-----------|-------------------------------------|
| 001  |     | 536005200 | INOX LEG 2" 120-180 M10             |
| 001  |     | 544407100 | RIGHT SIDE PANEL RANGE 90 LINE      |
| 001  |     | 541104501 | CONTROL PANEL CF4-78E CFC4-78E C    |
| 001  |     | 532004100 | FLUE GRID L=370 70LINE (RAF)        |
| 001  |     | 537027400 | TERMINAL BLOCK THREEPHASE 40A       |
| 001  |     | 537003800 | TERMINAL BLOCK 3POLES 16A           |
| 001  |     | 537000900 | THERMOSTAT 50-320°C THREEPHASE      |
| 001  |     | 544407200 | RIGHT SIDE PANEL RANGE 70 LINE      |
| 001  |     | 539008800 | ADHESIVE GRAD.DISC 4POS.CPT-ET RED  |
| 001  |     | 536019700 | BLACK KNOB §70 PIN §6*5             |
| 001  |     | 539018900 | INDEX FOR KNOB                      |
| 001  |     | 537037600 | COMMUTATOR 4 POS.3PHASE S.43 32A    |
| 001  |     | 537014100 | WHITE WARNING LIGHT 250V            |
| 002  |     | 544187100 | OVEN INNER DOOR GN 2/1 S.70         |
| 002  |     | 531022800 | LEFT OVEN DOOR HINGE S.70           |
| 002  |     | 544156900 |                                     |
| 002  |     | 531013100 | OVEN DOOR HANDLE OF 70/90-LINE      |
| 002  |     | 531022900 | HINGE DOOR WHEEL HOLDER S.70        |
| 002  |     | 531022700 | RIGHT OVEN DOOR HINGE 70LINE        |
| 002  |     | 541102300 | GAS OVEN INNER DOOR GN 3/1 S.70     |
| 002  |     | 531072800 |                                     |
| 002  |     | 544187000 | OVEN DOOR GN 3/1 S.70               |
| 003  |     | 533037600 | LOCK SPRING FOR BULB                |
| 003  |     | 536010800 | OVEN GASKET GN 2/1 (1261)           |
| 003  |     | 531036600 | LHD RACK HOLDER FOR OVEN S.90       |
| 003  |     | 531036300 | OVEN RACK GN 2/1 FOR 90 LINE        |
| 003  |     | 531036500 | RHD RACK HOLDER FOR OVEN S.90       |
| 003  |     | 544410100 | 90 ELECTRICAL OVEN BOTTOM GN2/1     |
| 004  |     | 539018800 | INDEX FOR OVEN KNOB                 |
| 004  |     | 539028000 | SELECTOR SIGN PLATE FOR OVEN        |
| 004  |     | 537034000 |                                     |
| 004  |     | 536019700 | BLACK KNOB §70 PIN §6*5             |
| 004  |     | 537014200 | GREEN WARNING LIGHT 250V            |
| 004  |     | 537027800 | OVENUPPER HEATING EL. W800 V230 90L |
| 004  |     | 537012800 | SAFETY THERMOSTAT 420°C THREEPHASE  |
| 004  |     | 539017900 | ADHESIVE GRADUATED DISC FOR KNOB    |
| 004  |     | 537000900 | THERMOSTAT 50-320°C THREEPHASE      |
| 004  |     | 539023900 | SIGN PLATE FOR OVEN TEMPERATURE     |
| 004  |     | 537014100 | WHITE WARNING LIGHT 250V            |
| 004  |     | 539027900 | ADHESIV.GRADUATED DISC FOR SELECTOR |
| 004  |     | 533023600 | TAP PLUG §10 M16*1, 5CH19           |
| 004  |     | 533039300 | BICONE §10                          |
| 004  |     | 533010800 | TUBE NUT D.10 M16*1,5               |
| 004  |     | 537000200 | COMMUTATOR 1 POS. 3PHASE S.49 16A   |
| 004  |     | 537001200 | FIXING BRACKET FOR THERMOSTAT/COMM. |
| 004  |     | 539035400 |                                     |
| 004  |     | 537027900 | OVENUPPER HEATING EL. W800 V400 90L |
| 004  |     | 537028000 | OVENUPPER HEATING EL. W800 V440 90L |
| 004  |     | 537028100 | OVEN LOWER HEATING EL.W700 V230 90L |
| 004  |     | 537028200 | HEATING ELEMENT 1700W 230V OVEN S70 |
| 004  |     | 537028300 | OVEN LOWER HEATING EL.W1700 V230 90 |

| <b>Page</b> | <b>Pos</b> | <b>Code</b> | <b>Description</b>               |
|-------------|------------|-------------|----------------------------------|
| 005         |            | 541157601   |                                  |
| 005         |            | 546015501   |                                  |
| 005         |            | 541157701   | UPPER PLATE TP-98E               |
| 005         |            | 537034300   | HEATING EL. 250X250 3400W230V    |
| 005         |            | 533111500   | COIL SPRING INTØ7X18XØFILO1 H=10 |