

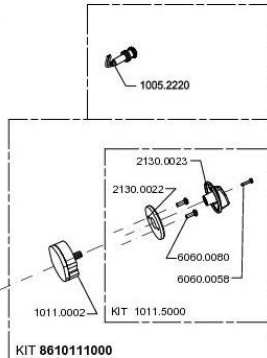
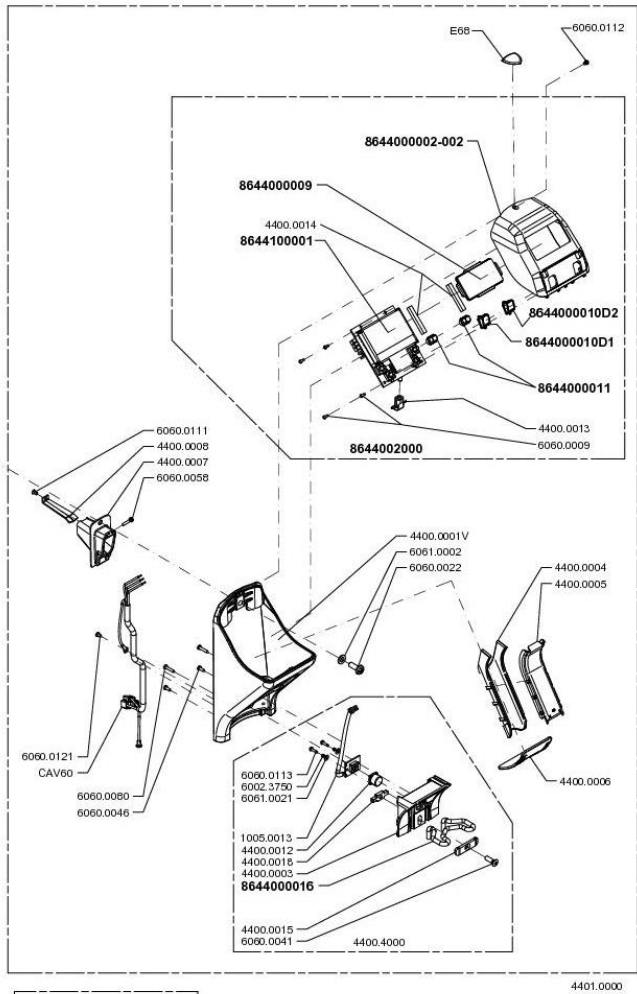
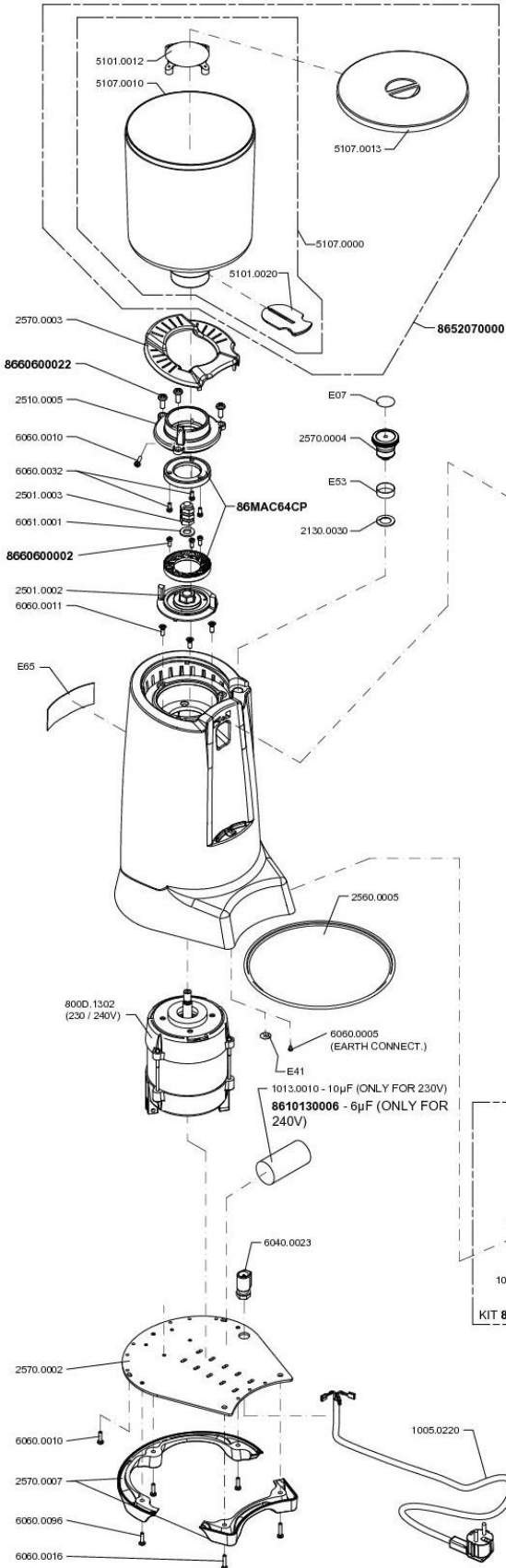
ZENITH

TECHNICAL MANUAL



ZENITH ON DEMAND
EXPLODED ZENITH ELECTRONIC - 65 BURR
230/240V 50Hz

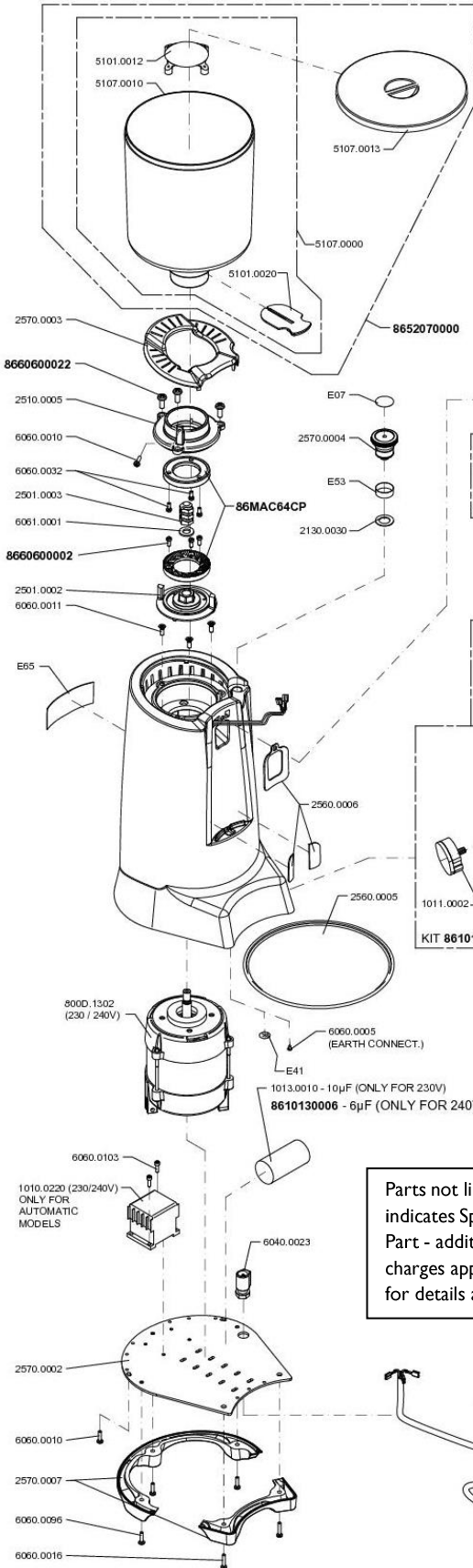
EXPOBAR®



Parts not listed in bold indicates Special Order-Only Part - additional freight charges apply. Contact Crem for details and requests.



ZENITH MANUAL/AUTOMATIC
EXPLODED ZENITH 65 BURR
230/240V 50Hz



Parts not listed in bold indicates Special Order-Only Part - additional freight charges apply. Contact Crem for details and requests.

