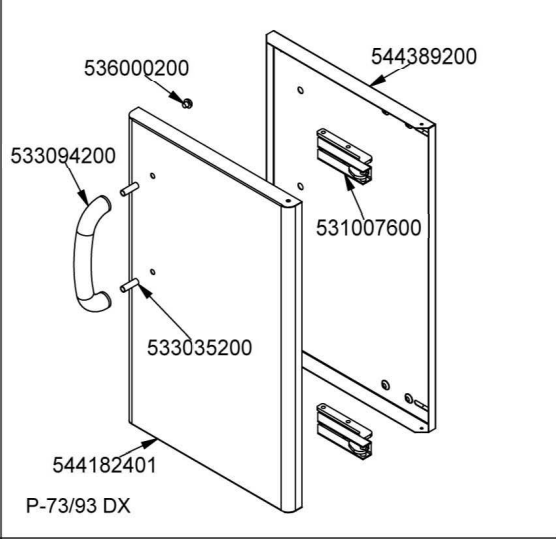
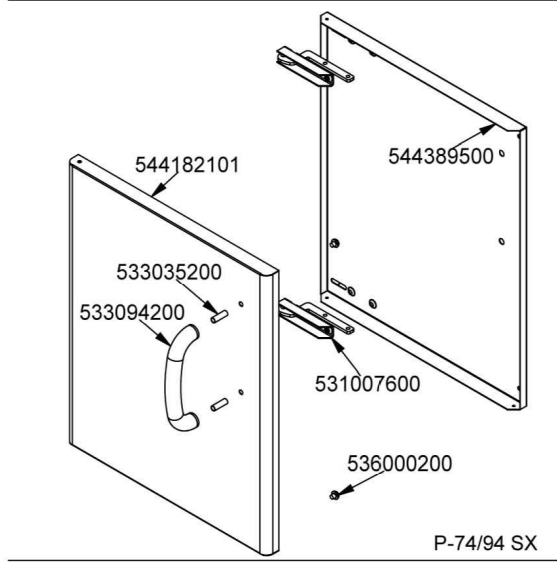




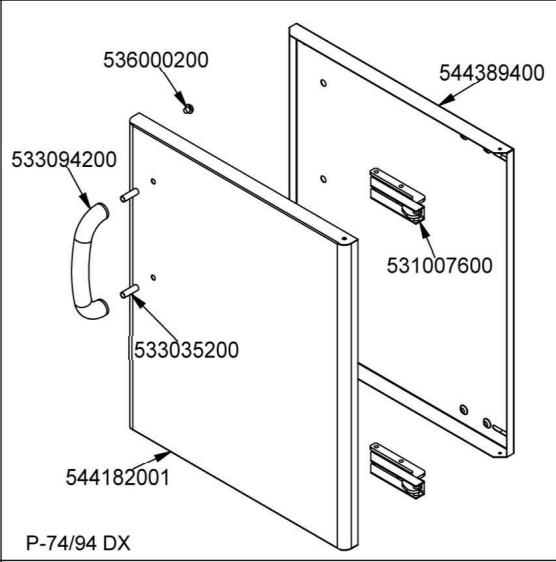
P-73/93 SX



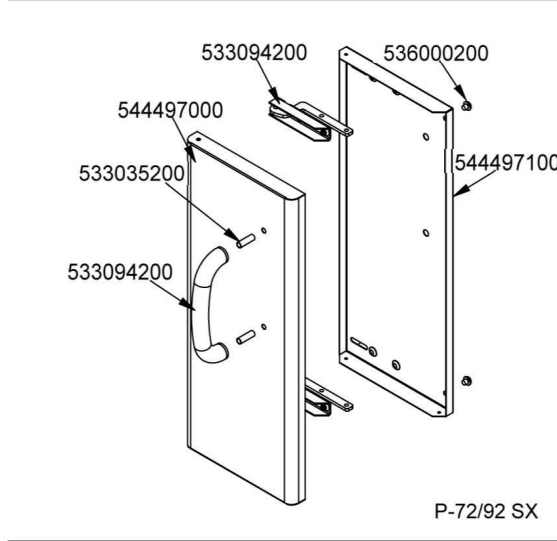
P-73/93 DX



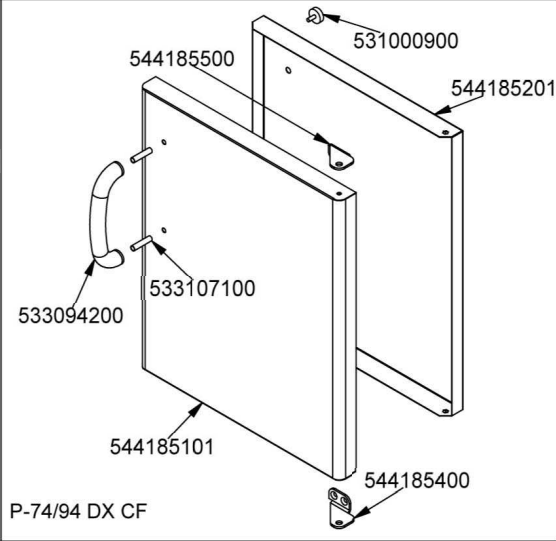
P-74/94 SX



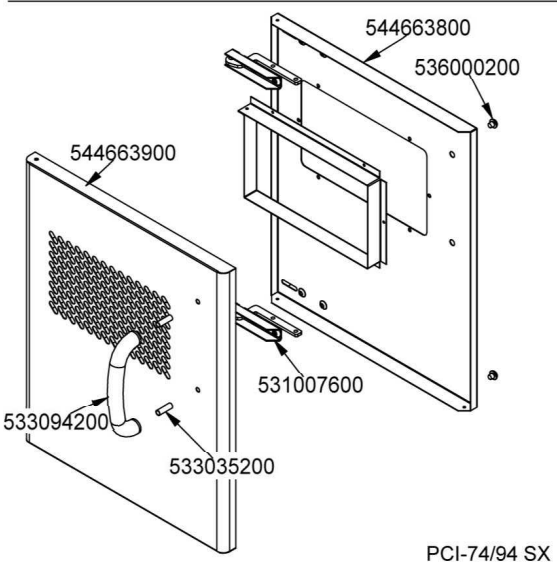
P-74/94 DX



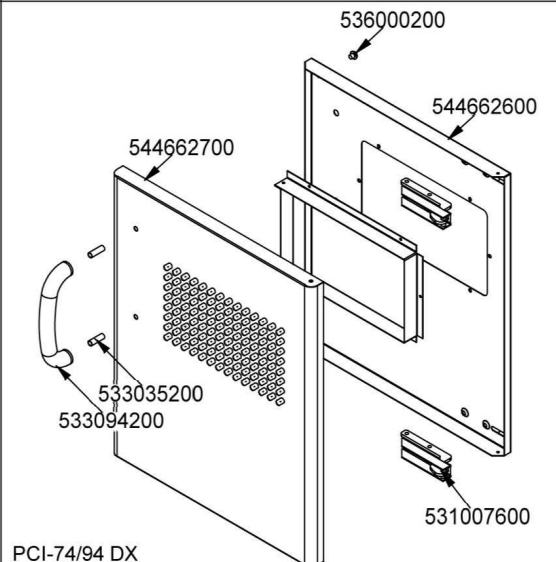
P-72/92 SX



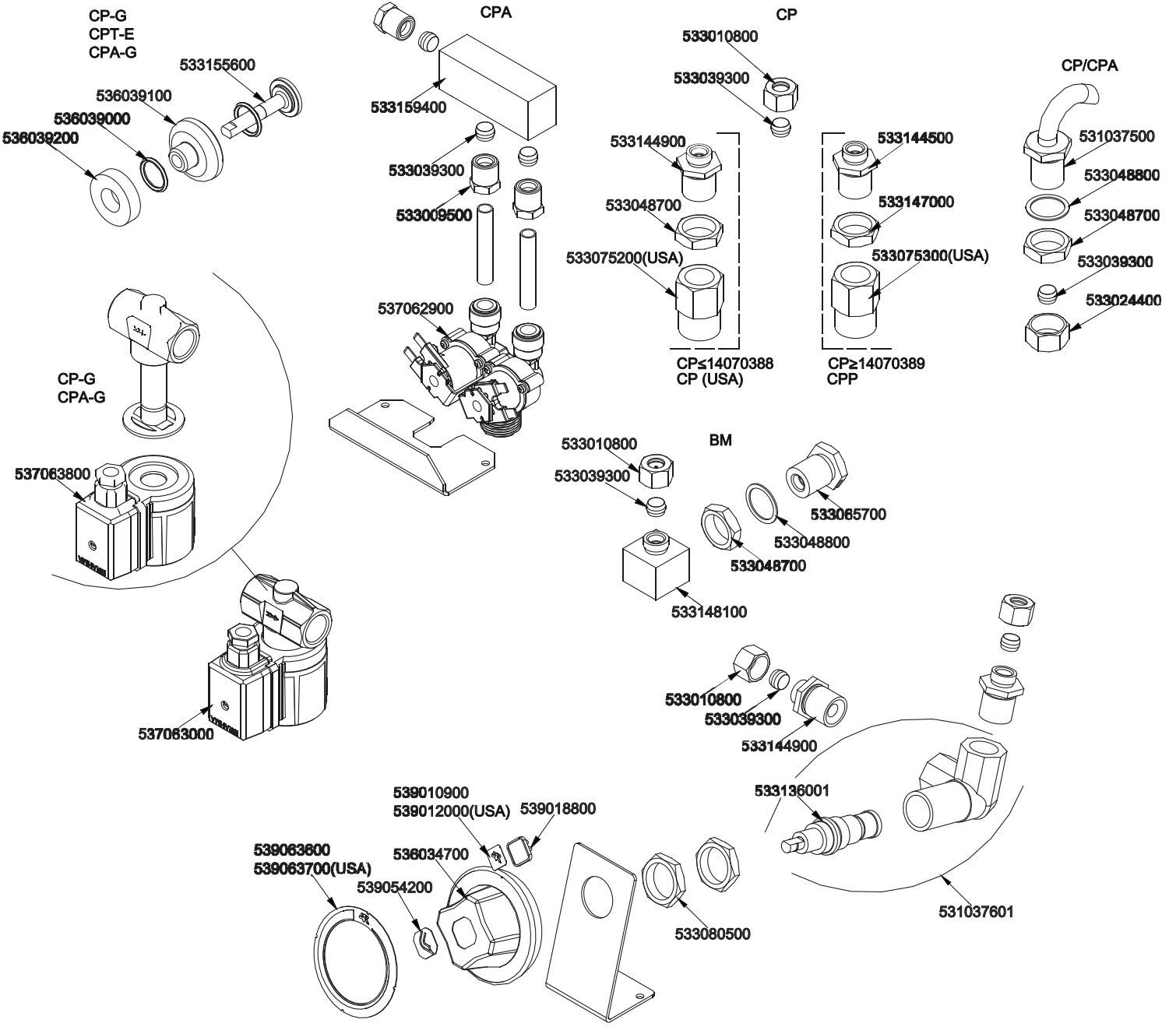
P-74/94 DX CF



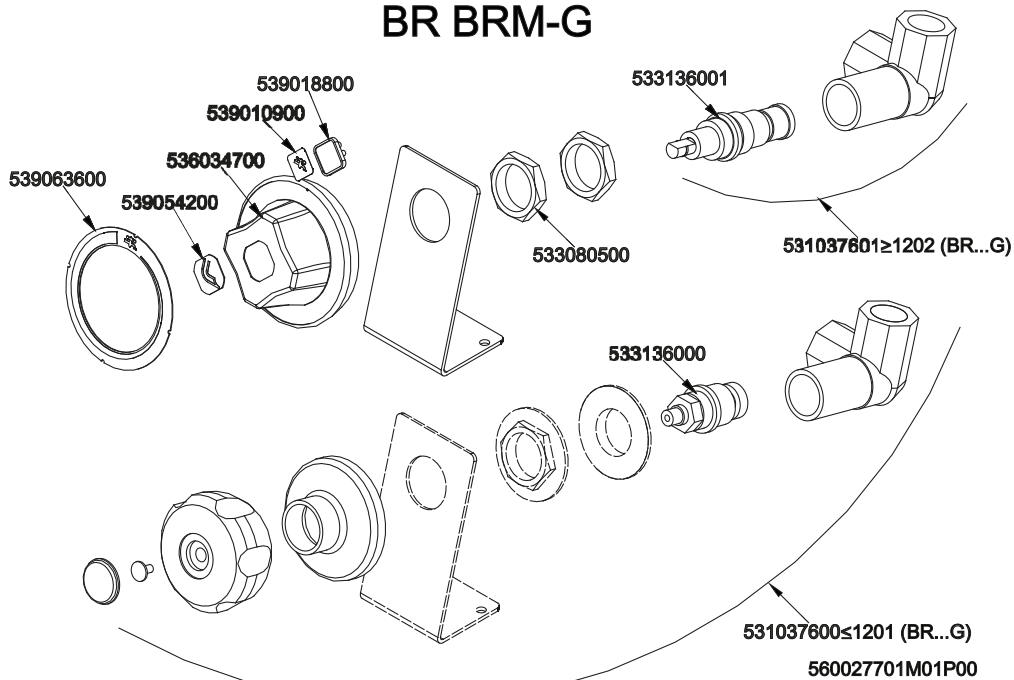
PCI-74/94 SX

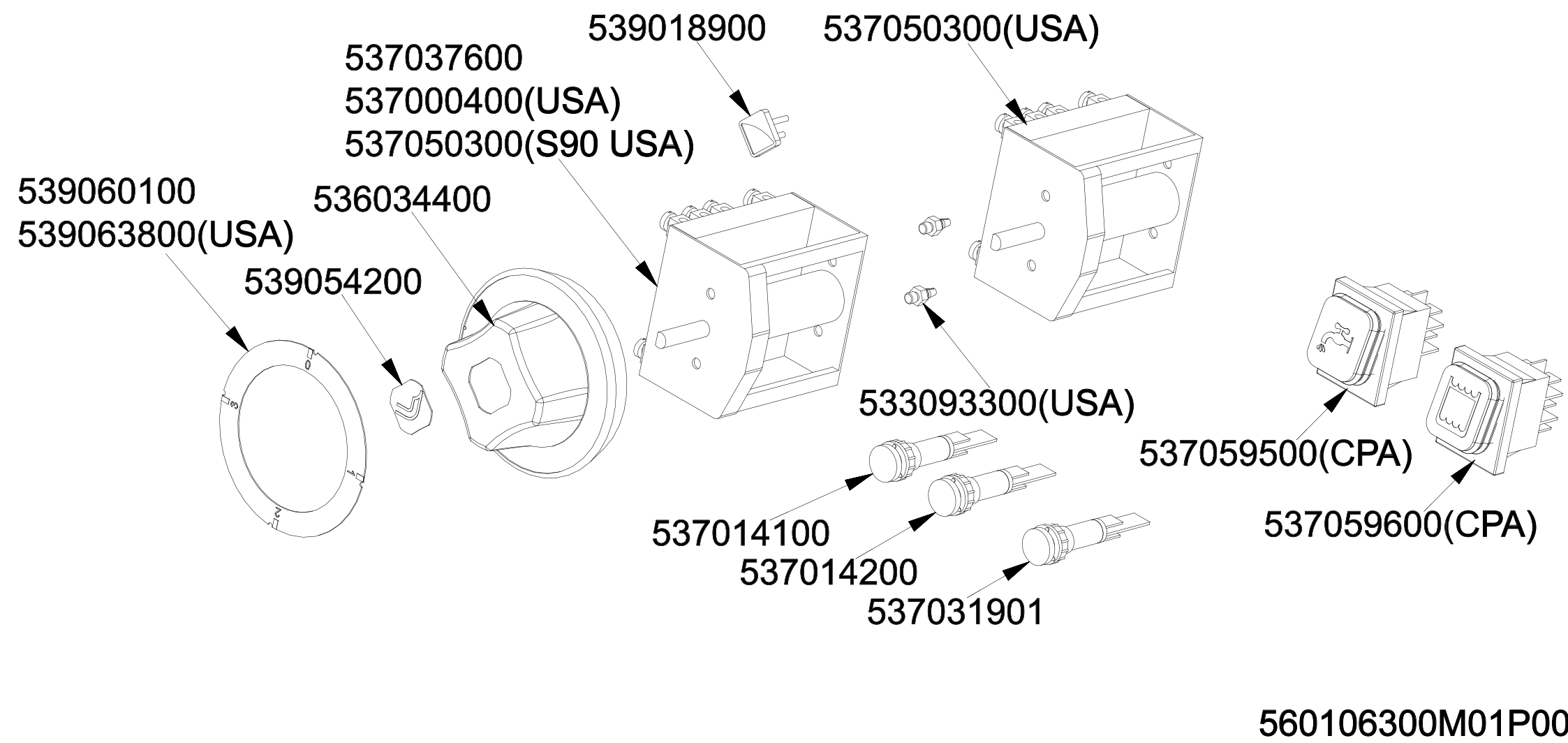


PCI-74/94 DX



### BR BRM-G





| Page | Pos | Code      | Description                         |
|------|-----|-----------|-------------------------------------|
| 001  |     | 532004100 | FLUE GRID L=370 90LINE (RAF         |
| 001  |     | 531037701 | BASKET SUPPORT GRID CP S.90         |
| 001  |     | 544412900 | BASKET HOLDER FOR DRAINAGE OF CP90  |
| 001  |     | 531042800 | SEMISPHERE FILTER                   |
| 001  |     | 541115401 | UPPER PLATE CP-98E                  |
| 001  |     | 537044800 | HEATING EL.13500W 230V 3 ROTAT.EL.  |
| 001  |     | 537050400 | SAFETY THERMOSTAT 185°C THREEPHASE  |
| 001  |     | 537027400 | TERMINAL BLOCK THREEPHASE 40A       |
| 001  |     | 533044402 | M8 THREADED CAP FOR SEC.THERMOSTAT  |
| 001  |     | 544407400 | LEFT SIDE PANEL 70 LINE             |
| 001  |     | 537036500 | TERMINAL BLOCK 4POLES 40A SCREW-SCR |
| 001  |     | 541106402 | CONTROL PANEL S607090 CP-78E CP-98E |
| 001  |     | 533039900 | PIPE HOLDER 1" G M D.24             |
| 001  |     | 531018600 | BALL VALVE 1"G M-F CPM-62G          |
| 001  |     | 533040000 | 1"G F-F-F "T" FITTING               |
| 001  |     | 533038200 | 1" G M-F ELBOW FITTING              |
| 001  |     | 544407300 | RIGHT SIDE PANEL 90 LINE            |
| 001  |     | 536005200 | INOX LEG 2" 120-180 M10             |
| 002  |     | 544389300 | CONTROP.73 SX APP. LT               |
| 002  |     | 531007600 | DOOR HINGE                          |
| 002  |     | 544182501 | LEFT DOOR 73                        |
| 002  |     | 533094200 | S/S HANDLE FOR 70/90 SERIES         |
| 002  |     | 533035200 | HANDLE SPACER                       |
| 002  |     | 536000200 | D.12 H.4 BUMPER                     |
| 002  |     | 544389200 | CONTROP.73 DX APP. LT               |
| 002  |     | 544182401 | RIGHT DOOR 73                       |
| 002  |     | 544182101 | LEFT DOOR 74                        |
| 002  |     | 544389500 | INNER-DOOR OF LHD 74                |
| 002  |     | 544389400 | CONTROP.74 DX APP. LT               |
| 002  |     | 544182001 | RIGHT DOOR 74                       |
| 002  |     | 544497000 | PORTA 72 SX                         |
| 002  |     | 544497100 | CONTROP.72 SX APP. LT               |
| 002  |     | 544185101 | RIGHT DOOR 74 CF                    |
| 002  |     | 533107100 | HANDLE SPACER OF CF-70              |
| 002  |     | 544185500 | UPPER DOOR HINGE FOR COMPARTME CF70 |
| 002  |     | 531000900 | MAGNET §22 KG.3 WITH DISK           |
| 002  |     | 544185201 | INNER DOOR * 74DX                   |
| 002  |     | 544185400 | LOWER DOOR HINGE FOR COMPARTME CF70 |
| 002  |     | 544663900 | LHD 74 DOOR FOR PCI                 |
| 002  |     | 544663800 | 74 LHD OVEN INNER DOOR FOUR PCI     |
| 002  |     | 544662700 | DOOR 74 DX PCI                      |
| 002  |     | 544662600 | CONTROP.74 DX APP. LT PCI           |
| 003  |     | 533010800 | TUBE NUT D.10 M16*1,5               |
| 003  |     | 533155600 | PERNO PER SENSORE ACQUA             |
| 003  |     | 536039100 | GUIDA PER SENSORE ACQUA             |
| 003  |     | 536039000 | GUARNIZ.O-RING 12,42X1,78 SILIC.    |
| 003  |     | 536039200 | DISTANZIALE PER SENSORE ACQUA       |
| 003  |     | 533039300 | BICONE §10                          |
| 003  |     | 533159400 | RACC.UN.2 U.ELETTROV.ACQUA CP       |
| 003  |     | 533144500 | FITTING FOR WATER INPUT 3/4G        |
| 003  |     | 531037500 | RACCORD CA.H2O 1/2G CAN.D10         |

| Page | Pos | Code      | Description                         |
|------|-----|-----------|-------------------------------------|
| 003  |     | 533144900 | MALE FITTING WATER INLET M16X1,5    |
| 003  |     | 533048700 | NUT 1/2G ZN                         |
| 003  |     | 533048800 | GASKET §30*§21*2 FIBRE              |
| 003  |     | 533147000 | BICONE FITTING 3/4G ZN              |
| 003  |     | 533009500 | NIPPLE FOR BICONE 10S               |
| 003  |     | 533024400 | HEXAGONAL NUT 1/2G TUBE D.10        |
| 003  |     | 537062900 | ELETTROV.A.3/4GM-2Ø10JG 230V RPV    |
| 003  |     | 537063800 | COIL ELECTROV.G.1/2GF 230V          |
| 003  |     | 533065700 | FITTING FOR WATER INPUT 1/2G        |
| 003  |     | 533148100 | RACC.A GOM.90° 1/2G F.M16X1,5M. (S  |
| 003  |     | 537063000 | ELETTROV.G.1/2GF-1/2GF 230V         |
| 003  |     | 539010900 | ADHESIVE LABEL FOR DRAIN COCK       |
| 003  |     | 533136001 | SCREW TAP WATER LOAD FOR CP S70/90  |
| 003  |     | 539012000 | ADHESIVE LABEL FOR DRAIN COCK USA   |
| 003  |     | 539018800 | BLANK INDEX FOR KNOB                |
| 003  |     | 539063600 | ADHESIVE DISK 72 FOR DRAIN COCK     |
| 003  |     | 539063700 | ADHESIVE DISK 72 FOR DRAIN COCK USA |
| 003  |     | 536034700 | KNOB §77 4P. §08*6,5 F§30           |
| 003  |     | 539054200 | STAMP Ø20,5 CR."L" LOTUS R.         |
| 003  |     | 531037601 | TAP FOR WATER 90°DX CP              |
| 003  |     | 533136000 | SCREW TAP WATER LOAD FOR CP S70/90  |
| 003  |     | 531037600 | TAP FOR WATER LOADING 1/2"GF CP 90  |
| 004  |     | 537050300 | COMMUTAT.4POS.3PHASE 43 32A CP UL   |
| 004  |     | 539018900 | INDEX FOR KNOB W/RED SIGN           |
| 004  |     | 537037600 | COMMUTATOR 4 POS.3PHASE S.43 32A    |
| 004  |     | 537000400 | COMMUTATOR 1POS.SINGLEPHASE S49 16A |
| 004  |     | 539060100 | RED ADESIVE DISK FOR CPT-ET         |
| 004  |     | 536034400 | KNOB §77 4P. §06*4,6 C/M            |
| 004  |     | 539063800 | ADHESIVE DISK 72 4 P.DRAIN COCK USA |
| 004  |     | 539054200 | STAMP Ø20,5 CR."L" LOTUS R.         |
| 004  |     | 533093300 | LOCKING PIN SWITCH S.43 THERMOST    |
| 004  |     | 537014100 | WHITE WARNING LIGHT 250V            |
| 004  |     | 537014200 | GREEN WARNING LIGHT 250V            |
| 004  |     | 537031901 | RED WARNING LIGHT PCI 12V E FASTON  |