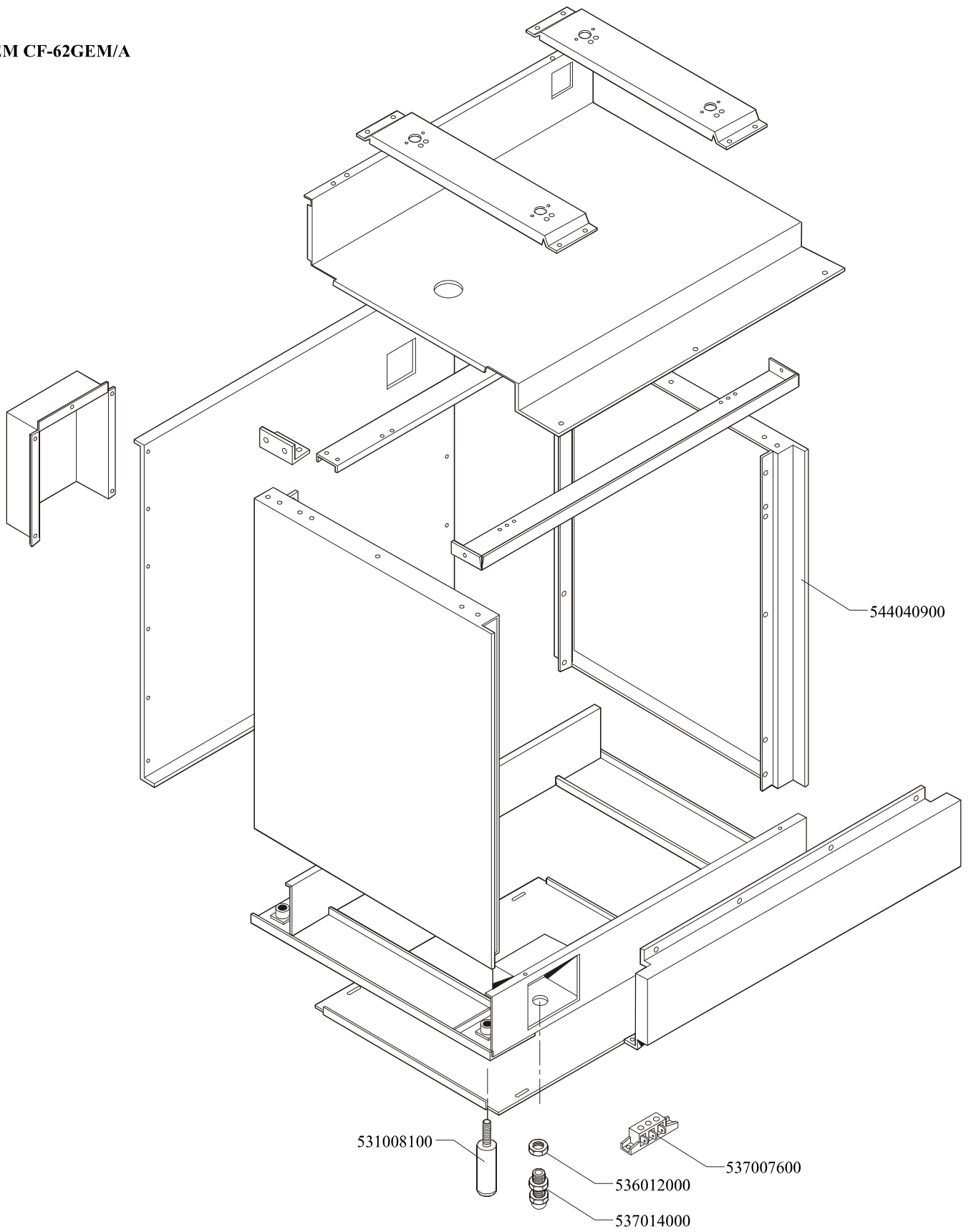
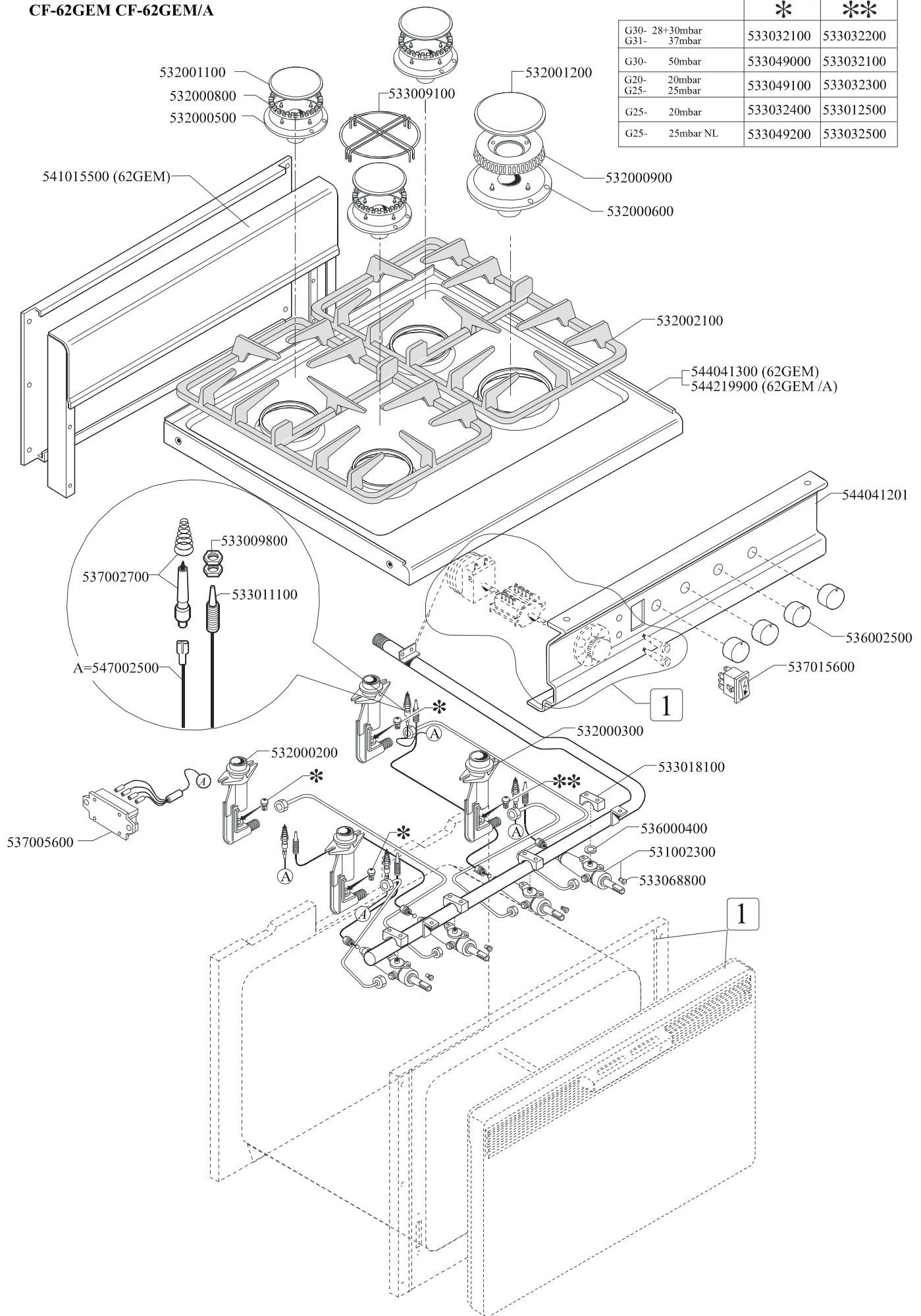


CF-62GEM CF-62GEM/A

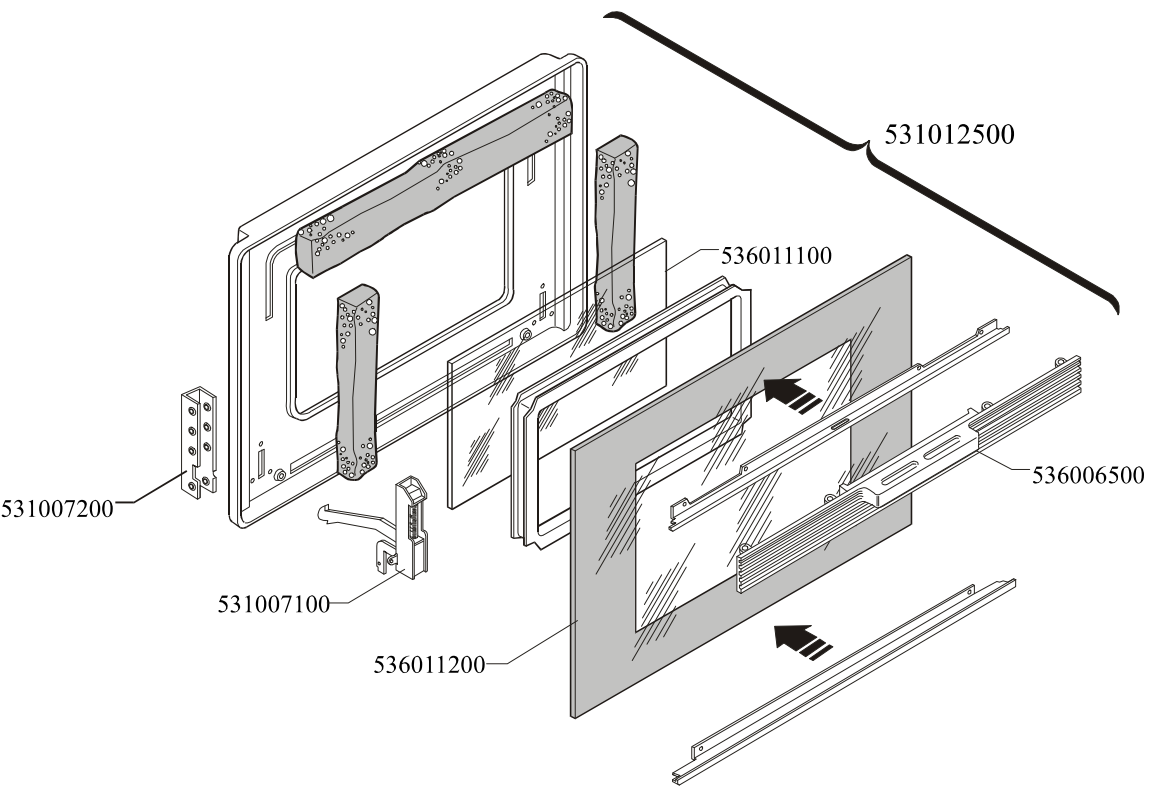
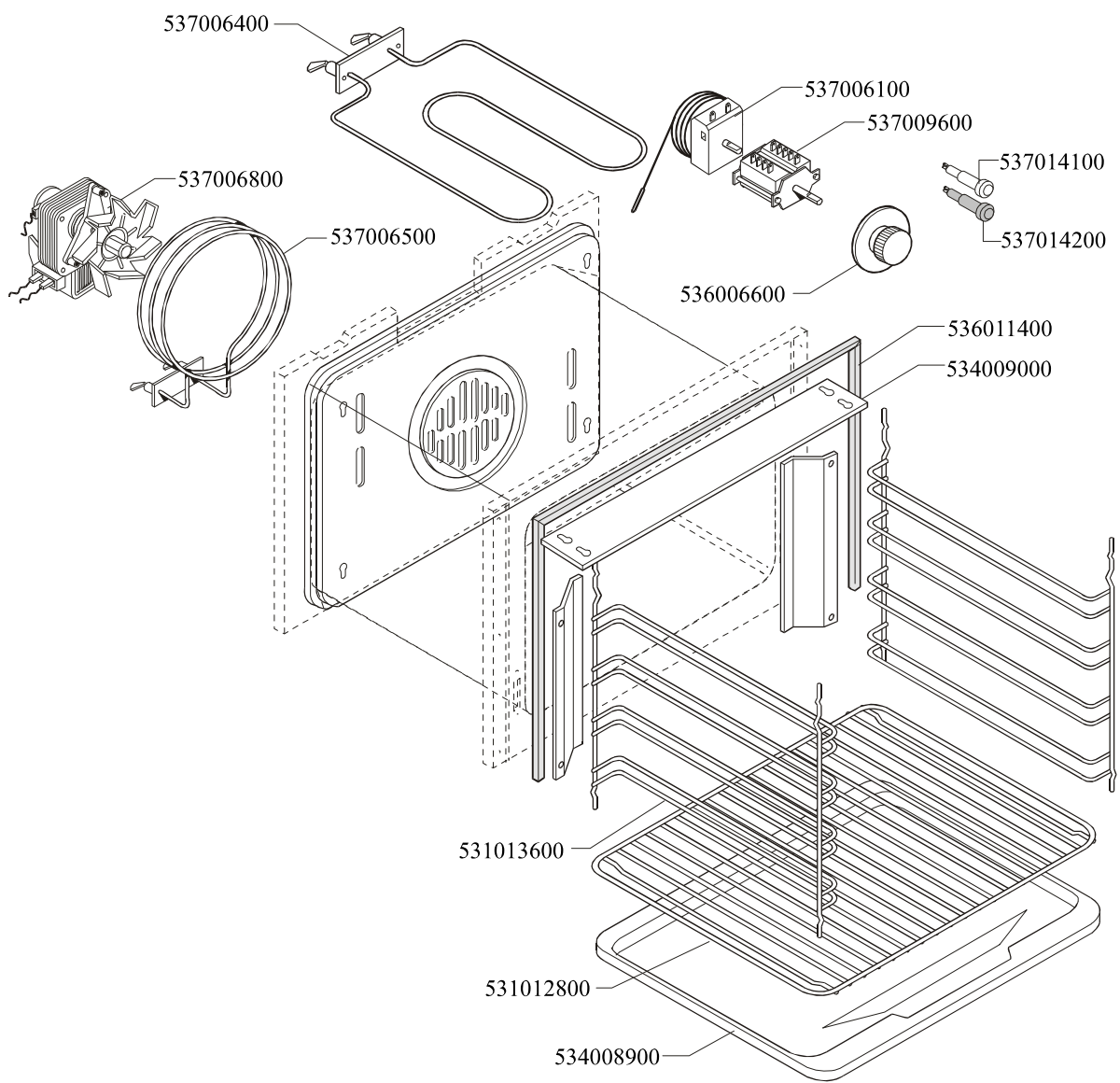


CF-62GEM CF-62GEM/A

	*	**
G30- 28+30mbar G31- 37mbar	533032100	533032200
G30- 50mbar	533049000	533032100
G20- 20mbar G25- 25mbar	533049100	533032300
G25- 20mbar	533032400	533012500
G25- 25mbar NL	533049200	533032500



**FORNO VENTILATO
 ELETTRICO E PORTA
 VETRO CF...-62... /
 ELECTRIC
 CONVECTION OVEN
 AND GLASS DOOR CF...-
 62 / ELEKTRO
 HEISLUFTBACKOFEN
 UND GLASTÜR CF...-62...
 / FOUR ELECTRIQUE A
 CONVECTION ET PORTE
 VITREE CF...-62...**



Page	Pos	Code	Description
001		544040900	SIDE RANGE CF-62
001		537007600	TERMINAL BLOCK SINGLEPHASE 40A
001		536012000	HEXAGONAL LOCK NUT PG-21
001		537014000	CABLE SECURING CLAMP PG-21
001		531008100	ADJUSTABLE LEG H9 CHROME
002		541015500	NEUTRAL SPACER 62
002		532001100	QUICK BURNER COVER IN CAST IRON
002		532000800	QUICK BURNER RING
002		532000500	QUICK BURNER SUPPORT 2HOLES
002		533009100	REDUCTION S.60
002		532001200	ULTRA-QUICK BURNER COVER IN CAST IR
002		532000900	ULTRA-QUICK BURNER RING
002		532000600	ULTRA-QUICK BURNER SUPPORT 2HOLES
002		532002100	2 BURNERS GRID
002		544041300	UPPER PLATE CF-62G
002		544041201	CONTROL PANEL FOR CF-62GE CE
002		536002500	COCK KNOB
002		537015600	BIPOLAR SWITCH
002		533009800	BRASS NUT M8*1
002		533011100	THERMOCOUPLE 600 M8*1
002		537002700	PLUG WITH SPRING H57
002		A-547002500	HIGH-VOLT.WIRE 2,8X0,5 F2,8X0,8L600
002		532000300	ULTRA-QUICK BURNER VENTURI
002		533018100	BRIDLE D.21
002		536000400	GASKET FOR COCK
002		531002300	TAP WITH VALVE BY PASS 485/042 CE
002		533068800	BY PASS COCK §42 PC/CF-60
002		532000200	QUICK BURNER VENTURI
002		537005600	6 FLAME IGNITION CONTROL BOX V230
002		533032100	NOZZLE §82 CH9*10 CE G-R
002		533032200	NOZZLE §96 CH9*10 CE G-UR
002		533049000	NOZZLE §72 CH9*10 F-R
002		533049100	NOZZLE §125 CH9*10 H-R
002		533032300	NOZZLE §142 G20
002		533032400	NOZZLE §135 CH9*10 L-R
002		533012500	NOZZLE §160 CH9*10 L-UR
002		533049200	NOZZLE §130 CH9*10 AARD.L-R
002		533032500	NOZZLE §150 CH9*10 AARD.L-UR
003		537006400	OVEN HEATING EL.W1500 V220 CF-62
003		537006800	FAN 240V CF-62
003		537006500	HEATING ELEMENT W2000 V230 CF-62
003		537006100	OVEN THERMOSTAT CF-62/8/10
003		537009600	OVEN COMMUTATOR CF-62E
003		536006600	OVEN KNOB CF-62
003		537014100	WHITE WARNING LIGHT 250V
003		537014200	GREEN WARNING LIGHT 250V
003		536011400	OVEN GASKET CF-62
003		534009000	GRILL PROTECTION CF-62
003		531013600	SIDE GRID FOR MAXI/VENTILATED OVEN
003		531012800	OVEN GRID CF-62
003		534008900	OVEN DRIPPING-PAN CF-62

Page	Pos	Code	Description
003		531007200	DOOR WHEEL HOLDER CF-62
003		531007100	OVEN DOOR HINGE FOR CF-62
003		536011200	EXTERNAL GLASS FOR OVEN DOOR CF-62
003		536011100	INTERNAL GLASS FOR OVEN DOOR CF62
003		536006500	OVEN DOOR HANDLE CF-62
003		531012500	COMPLETE OVEN DOOR CF-62