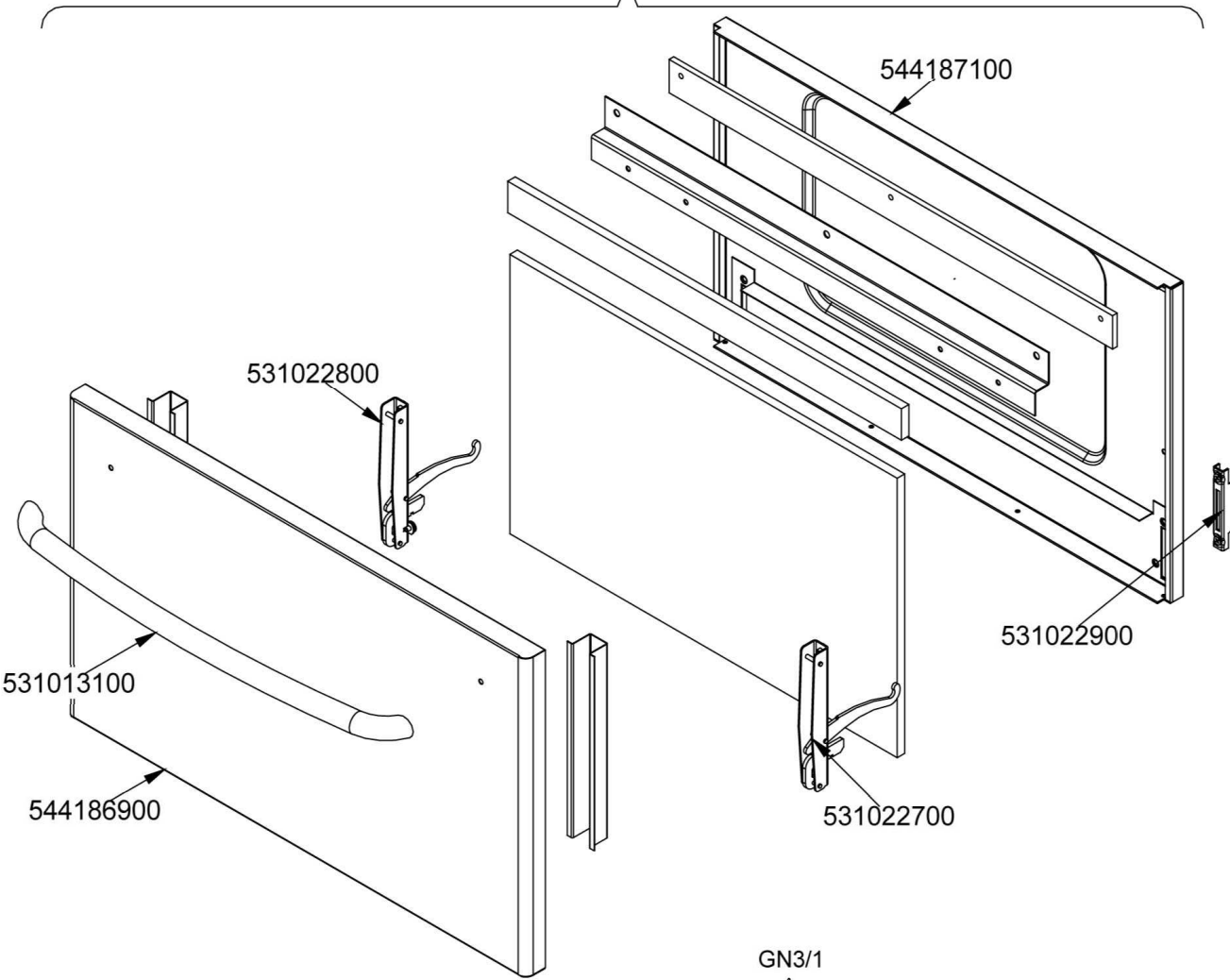
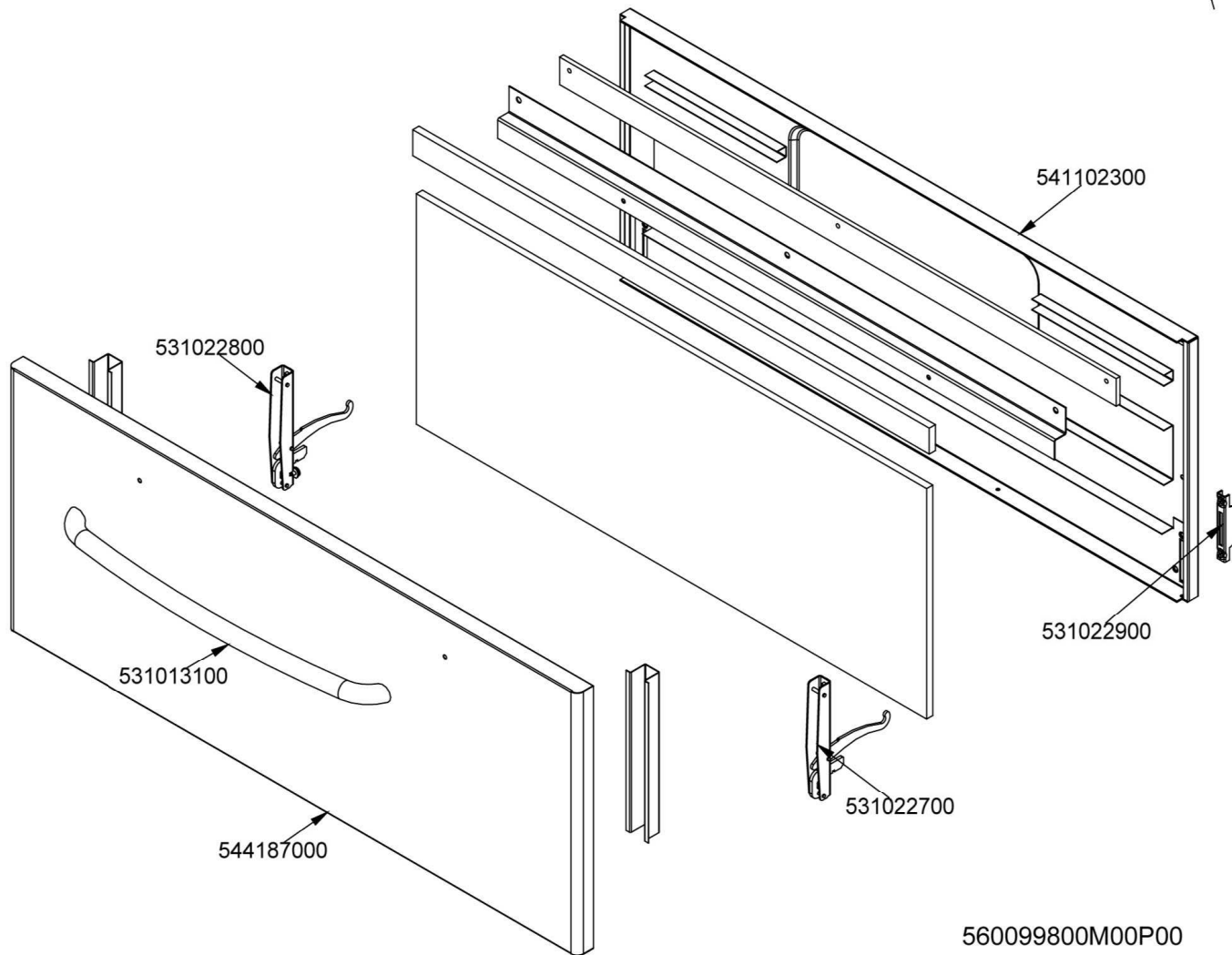


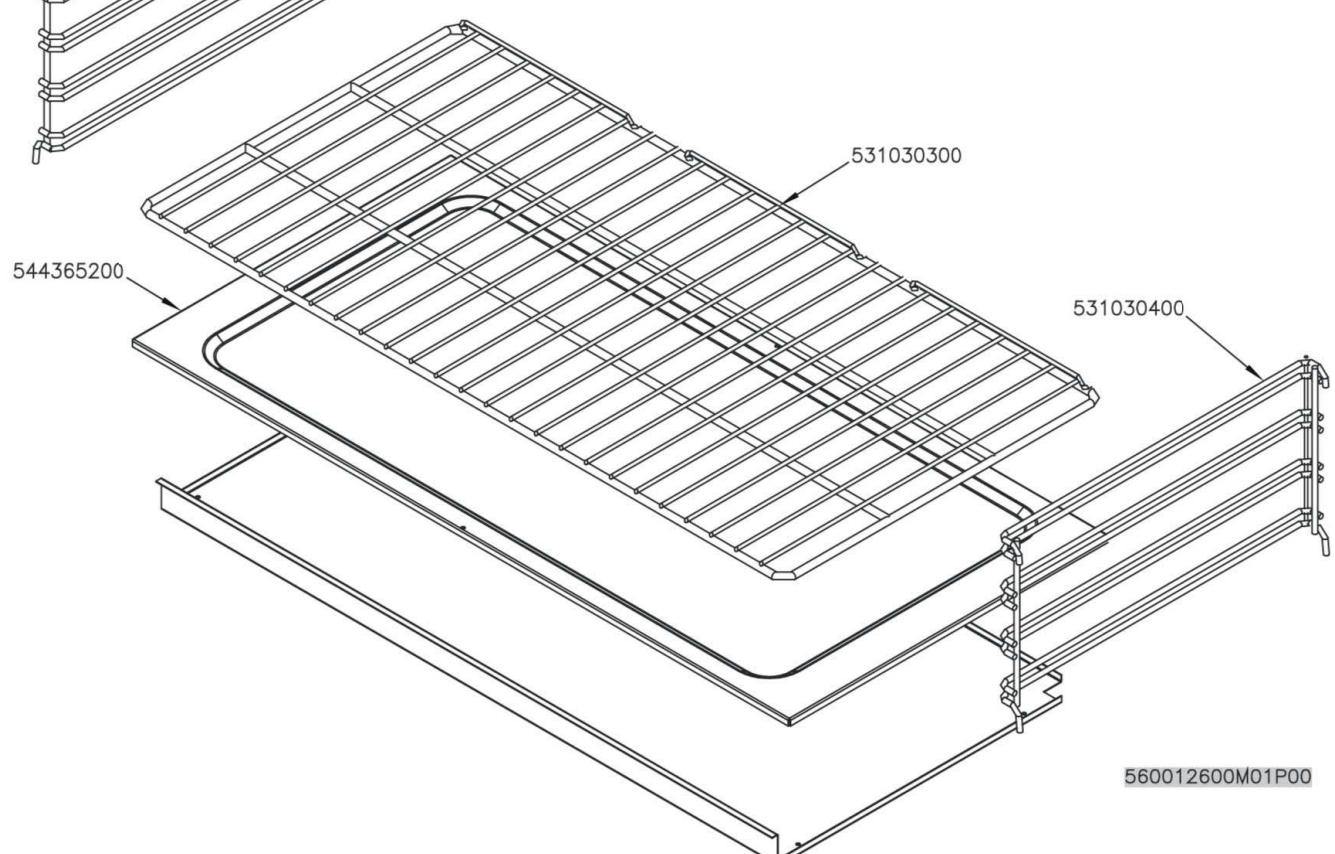
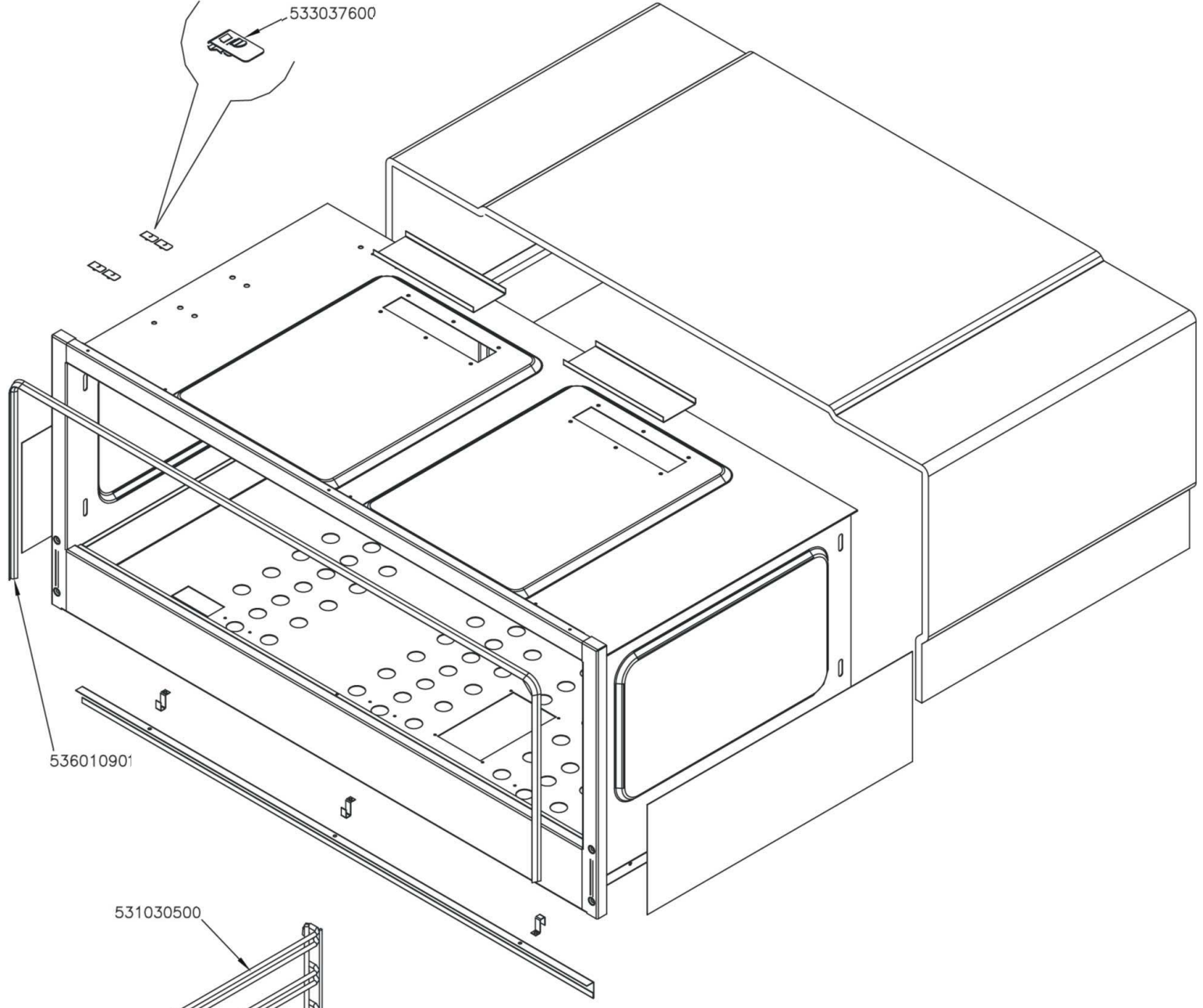
GN2/1



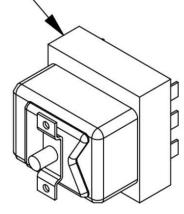
GN3/1



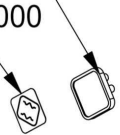
560099800M00P00



537012800



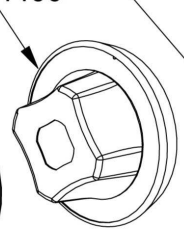
539018800



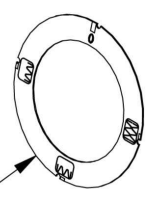
539028000



537034001



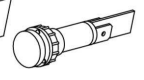
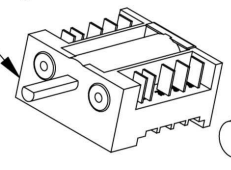
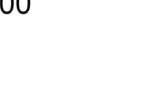
536034400



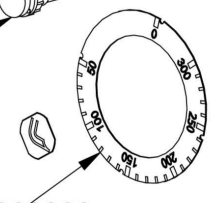
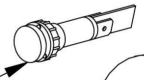
539054200



539061900



537014200



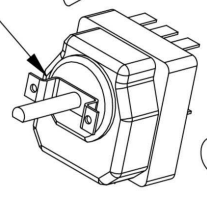
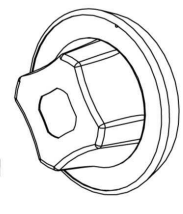
539062000



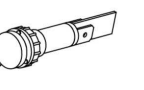
539023900



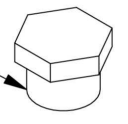
537000900



537014100



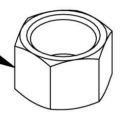
533023600



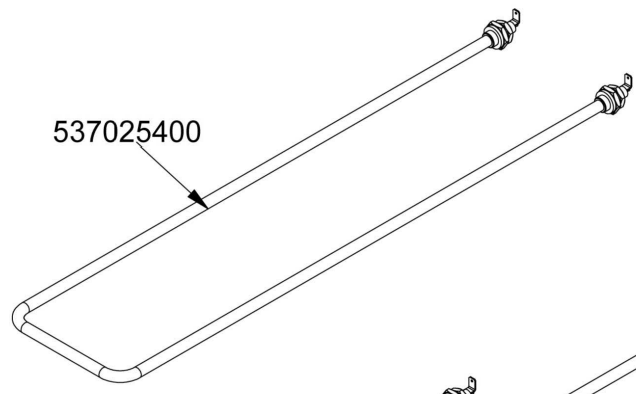
533039300



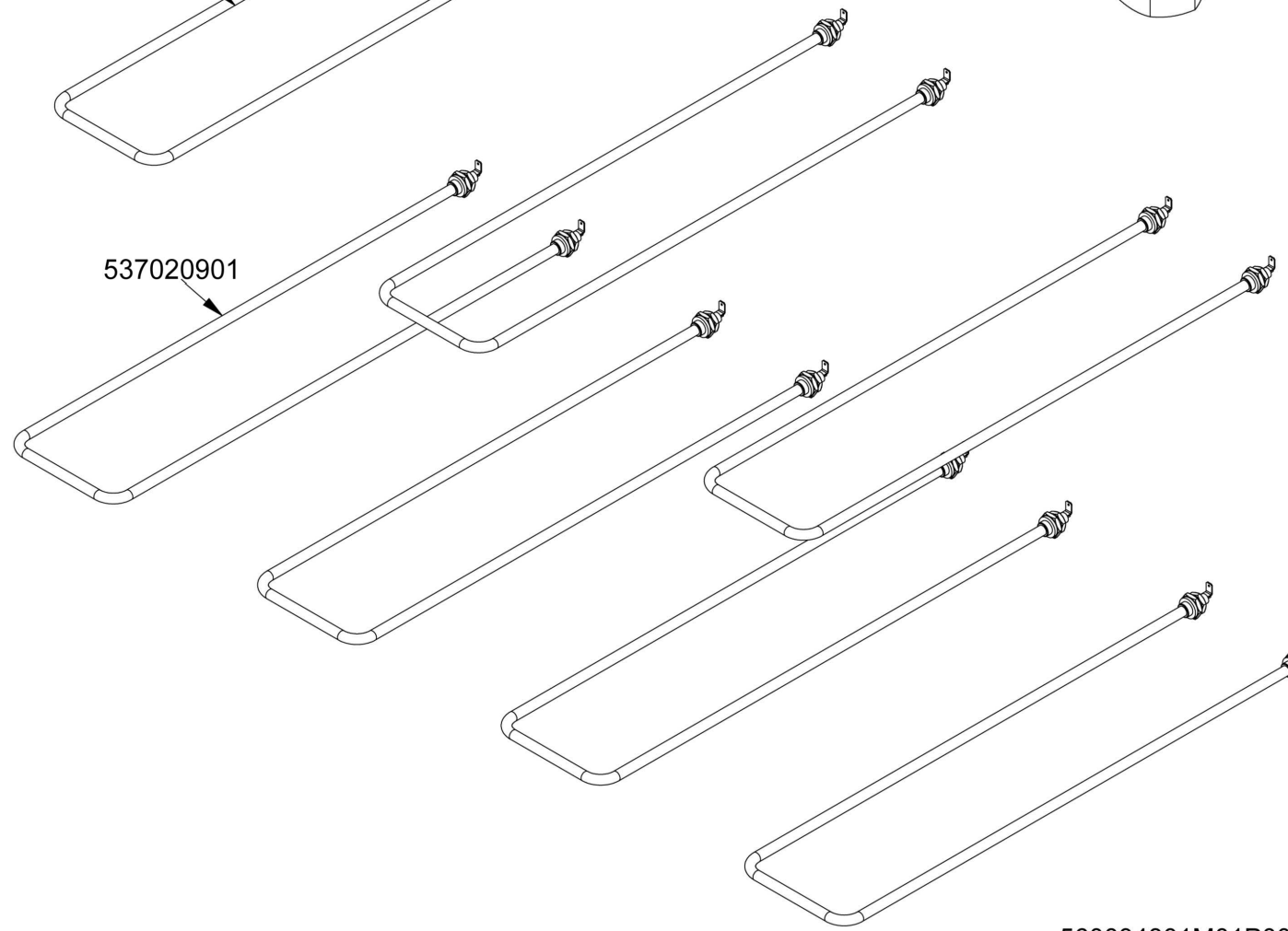
533010800

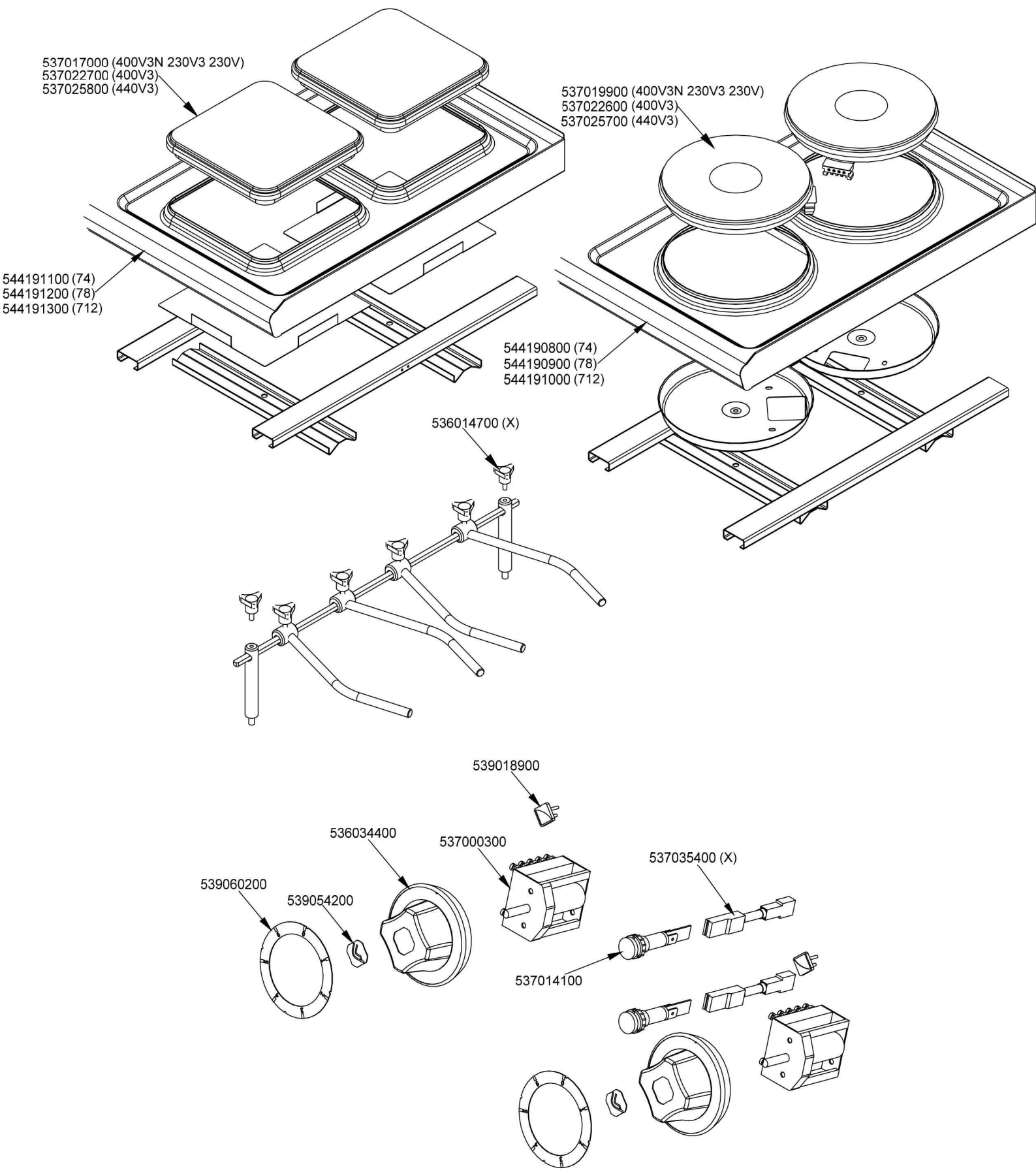


537025400



537020901





Page	Pos	Code	Description
001		532004100	FLUE GRID L=370 90LINE (RAF
001		541135100	LOW SPACER 712 2 GRIDS
001		544173300	LEFT SIDE PANEL RANGE S.70
001		537027400	TERMINAL BLOCK THREEPHASE 40A
001		541104601	CONTROL PANEL CF6-712E CF6-712EV
001		544173200	RIGHT SIDE PANEL RANGE S.70
001		536005200	INOX LEG 2" 120-180 M10
002		544187100	OVEN INNER DOOR GN 2/1 70/90LINE
002		531022800	LEFT OVEN DOOR HINGE S.70
002		531013100	OVEN DOOR HANDLE OF 70/90-LINE
002		544186900	OVEN DOOR GN 2/1 70/90LINES
002		531022700	RIGHT OVEN DOOR HINGE 70LINE
002		531022900	HINGE DOOR WHEEL HOLDER S.70
002		541102300	GAS OVEN INNER DOOR GN 3/1 S.70
002		544187000	OVEN DOOR GN 3/1 S.70
003		533037600	LOCK SPRING FOR BULB
003		536010901	GAS OVEN GASKET GN 3/1 (1668
003		531030500	LHD SUPPORT GRID FOR OVEN OF 70LINE
003		544365200	70 ELECTRICAL OVEN BOTTOM GN3/1
003		531030300	OVEN GRID GN 3/1 FOR 70 LINE
003		531030400	RHD SUPPORT GRID FOR OVEN OF 70LINE
004		537012800	SAFETY THERMOSTAT 420°C THREEPHASE
004		539018800	BLANK INDEX FOR KNOB
004		539028000	SELECTOR SIGN PLATE FOR OVEN
004		537034001	COMMUTATOR 4 POS.3PHASE S.42 16A
004		536034400	KNOB §77 4P. §06*4,6 C/M
004		539054200	STAMP Ø20,5 CR."L" LOTUS R.
004		539061900	ADESIVE DISK FOR SWITCH OVEN S70
004		537014200	GREEN WARNING LIGHT 250V
004		539062000	ADESIVE DISK THERMOSTAT OVEN S70
004		537000900	THERMOSTAT 063-320°C THREEPHASE
004		539023900	SIGN PLATE FOR OVEN TEMPERATURE
004		537014100	WHITE WARNING LIGHT 250V
004		533023600	TAP PLUG §10 M16*1, 5CH19
004		533039300	BICONE §10
004		533010800	TUBE NUT D.10 M16*1,5
004		537025400	OVEN UPPER HEAT.EL.W700 V230 70LINE
004		537020901	HEATING ELEMENT 1200W 230V OVEN S70
005		537017000	PLATE 220X220 W2600 V230
005		537022700	ELECTRICAL PLATE 220X220 W2600 V400
005		537025800	PLATE 220X220 W2600 V440
005		537019900	PLATE D.220 W2600 V230
005		537022600	ELECTRICAL PLATE D.220 W2600 V400
005		537025700	ELECTRICAL PLATE D.220 W2600 V440
005		544191100	UPPER PLATE PC-74E SQUARE PLATE
005		544191200	UPPER PLATE PC-78E SQUARE PLATE
005		544191300	UPPER PLATE PC-712E SQUARE PLATE
005		544190800	UPPER PLATE PC-74E ROUND PLATE
005		544190900	UPPER PLATE PC-78E ROUND PLATE
005		544191000	UPPER PLATE PC-712E ROUND PLATE
005		536014700	3 DRILL WHEELS

<b>Page</b>	<b>Pos</b>	<b>Code</b>	<b>Description</b>
005		539060200	RED ADESIVE DISK FOR PC-E
005		539054200	STAMP Ø20,5 CR."L" LOTUS R.
005		536034400	KNOB \$77 4P. \$06*4,6 C/M
005		537000300	COMMUTATOR 7 POSITIONS S.49 16A
005		539018900	INDEX FOR KNOB W/RED SIGN
005		537035400	HEATING ELEMENT 00003W 330KOHM W/F
005		537014100	WHITE WARNING LIGHT 250V