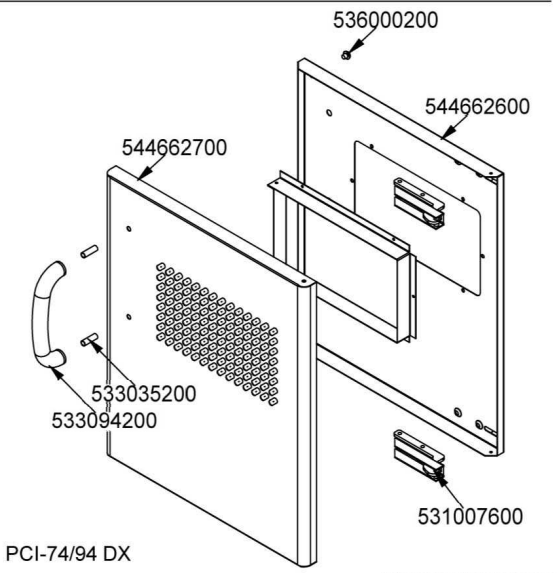
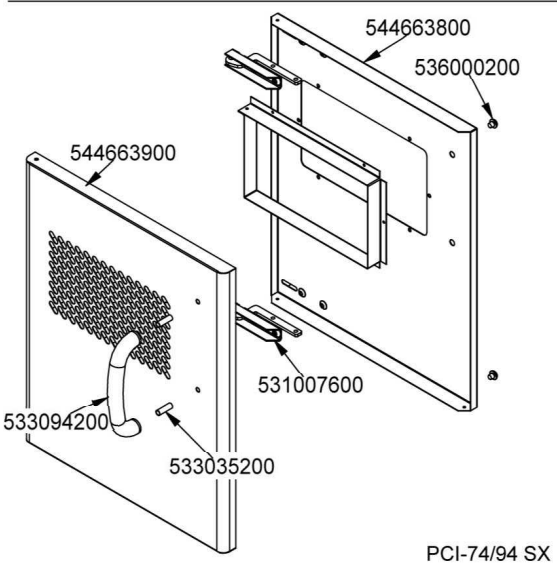
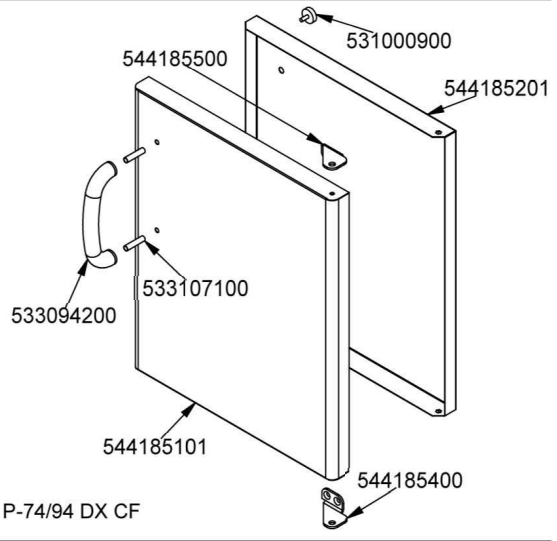
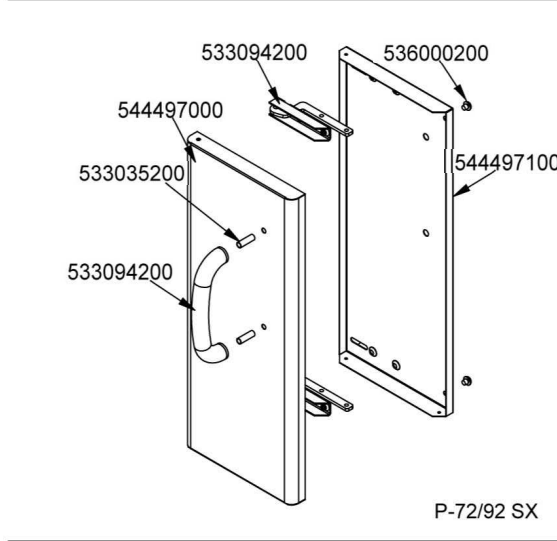
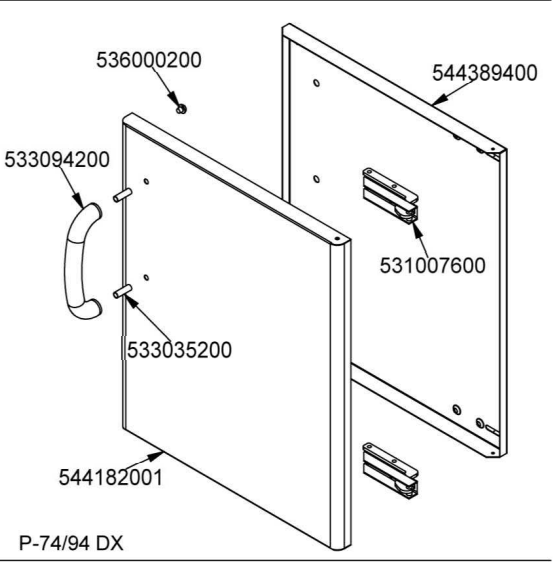
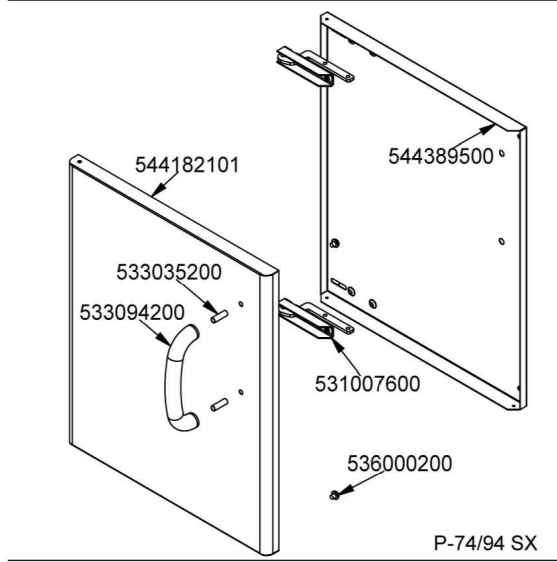
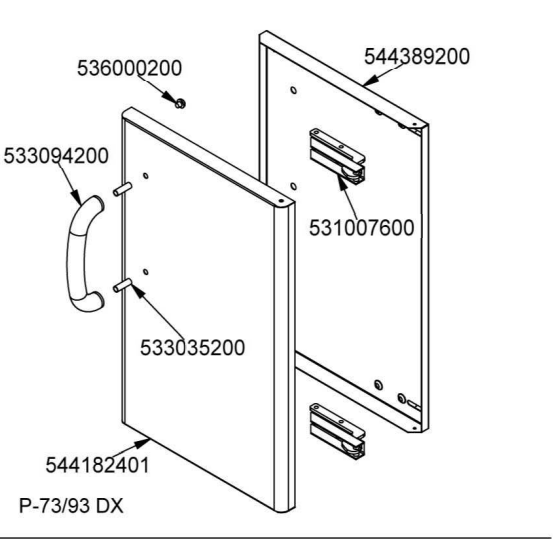
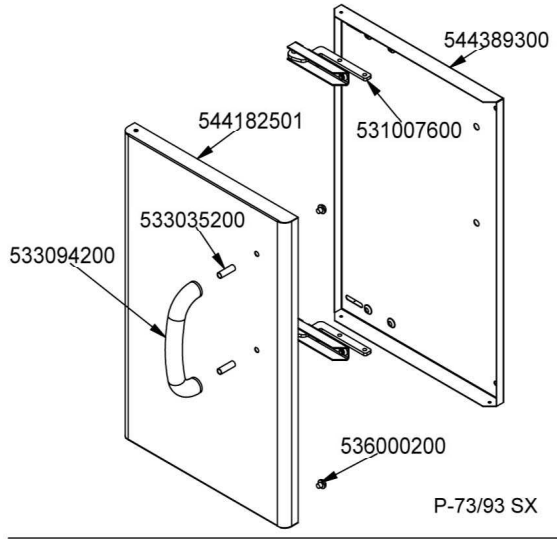


	**	**
	F13	F18
G30-28+30mbar G31- 37mbar	533043200	533043200
G30- 50mbar	533030100	533030100
G20- 20mbar G25- 25mbar	533030200	533031000
G20- 20mbar DE-AT	533030200	533031000
G25- 20mbar	533043100	533043600
G25- 25mbar NL	533030200	533019400
G20- 25mbar	533030300	533030900

	*
G30-28+30mbar G31- 37mbar	533020200
G30- 50mbar	533020200
G20- 20mbar G25- 25mbar	533020400
G20- 20mbar DE-AT	533020400
G25- 20mbar	533020400
G25- 25mbar NL	533020400
G20- 25mbar	533020400



Page	Pos	Code	Description
001		541156900	DISCHARGE PROTECTION S70
001		532004100	FLUE GRID L=370 90LINE (RAF
001		541134600	LOW SPACER 78 2 GRIDS
001		533094200	S/S HANDLE FOR 70/90 SERIES
001		544462300	TANK LID FOR F-70
001		541101601	UPPER PLATE S70 F2/13-78G
001		544173500	LEFT SIDE PANEL S.70
001		531018600	BALL VALVE 1"G M-F CPM-62G
001		537010000	SAFETY THERMOSTAT 220°C SINGLEPHASE
001		541096901	CONTROL PANEL S607090 F2/13-78GG
001		533044401	M8 THREADED CAP FOR SEC.THERMOSTAT
001		544183901	LOWER CONTROL PANEL 78G
001		536005200	INOX LEG 2" 120-180 M10
001		544173400	RIGHT SIDE PANEL S.70
001		541077100	FILTER FOR DRIP TRAY 23L
001		541047200	FILTER FOR DRIP TRAY
002		533011000	PILOT BURNER 3 FLAMES 320
002		533010400	BICONE D.6
002		533067200	THERMOCOUPLE 220+500 M9*1 CUT-OFF
002		533018500	FITTING FOR BICONE D.6 M10*1
002		533010900	NUT M14*1 H.4
002		533033200	PILOT SPACER
002		533085200	SPACER FOR PILOT PLUG
002		537008300	ROUND PLUG §2,4- LONG ELECTRODE
002		533009400	BICONE 10S
002		533009500	NIPPLE FOR BICONE 10S
002		533018600	PLUG FITTING
002		547003200	HIGH-VOLTAGE CABLE TUBE.§2 L=500
002		544378000	
002		533053600	EUROSIT VALVE PLUG
002		533017900	BICONE D.12
002		531035800	BURNER FOR FRYER F13T
002		536005100	GRAPHITE §07,4 GASKET
002		533018000	ELBOW FOR BICONE D.12 3/8 RS L20
002		533008600	STUFFING BOX M9*1
002		539018900	INDEX FOR KNOB W/RED SIGN
002		531025200	EUROSIT VALVE FQ 110-190°C
002		533039100	BICONE §6
002		533040600	HEADLESS SCREW M4*8
002		533102500	SHORT PIVOT FOR PLASTIC KNOB
002		536034500	KNOB §77 4P. §08*6,5
002		537002800	PIEZOELECTRIC IGNITION M18 WITH NUT
002		539054200	STAMP Ø20,5 CR."L" LOTUS R.
002		539062400	RED STICKING DISK 72 (110,190°
002		533020200	PILOT JETS 0160 FOR LPG §30
002		533020400	NOZZLE 0160 (NATURAL GAS) 51
003		544389300	CONTROP.73 SX APP. LT
003		531007600	DOOR HINGE
003		544182501	LEFT DOOR 73
003		533094200	S/S HANDLE FOR 70/90 SERIES
003		533035200	HANDLE SPACER

Page	Pos	Code	Description
003		536000200	D.12 H.4 BUMPER
003		544389200	CONTROP.73 DX APP. LT
003		544182401	RIGHT DOOR 73
003		544182101	LEFT DOOR 74
003		544389500	INNER-DOOR OF LHD 74
003		544389400	CONTROP.74 DX APP. LT
003		544182001	RIGHT DOOR 74
003		544497000	PORTA 72 SX
003		544497100	CONTROP.72 SX APP. LT
003		544185101	RIGHT DOOR 74 CF
003		533107100	HANDLE SPACER OF CF-70
003		544185500	UPPER DOOR HINGE FOR COMPARTME CF70
003		531000900	MAGNET §22 KG.3 WITH DISK
003		544185201	INNER DOOR * 74DX
003		544185400	LOWER DOOR HINGE FOR COMPARTME CF70
003		544663900	LHD 74 DOOR FOR PCI
003		544663800	74 LHD OVEN INNER DOOR FOUR PCI
003		544662700	DOOR 74 DX PCI
003		544662600	CONTROP.74 DX APP. LT PCI