

CM650R Parts List

Table of Contents

Cabinet Exterior

Cabinet Interior

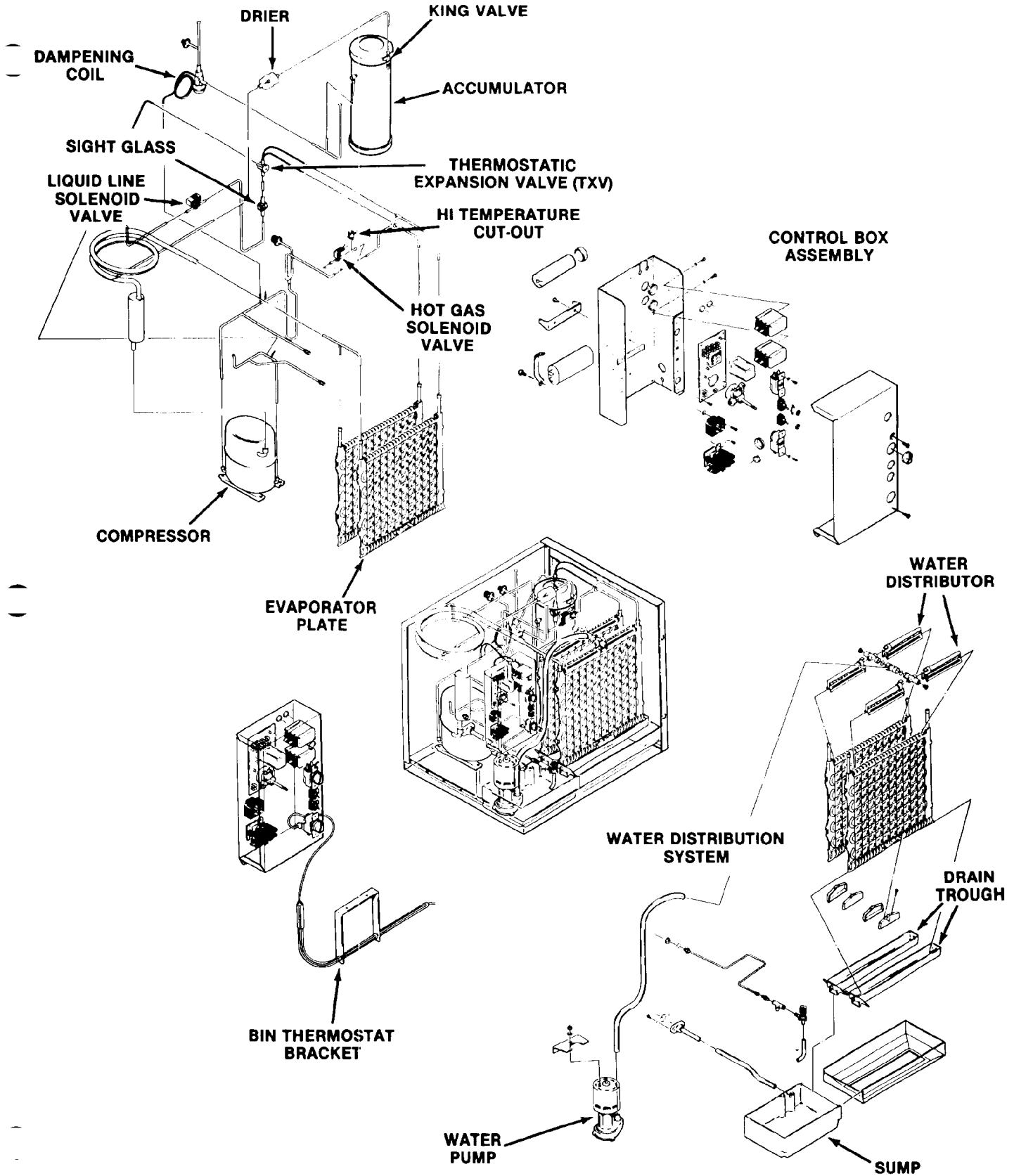
Refrigeration

Water System

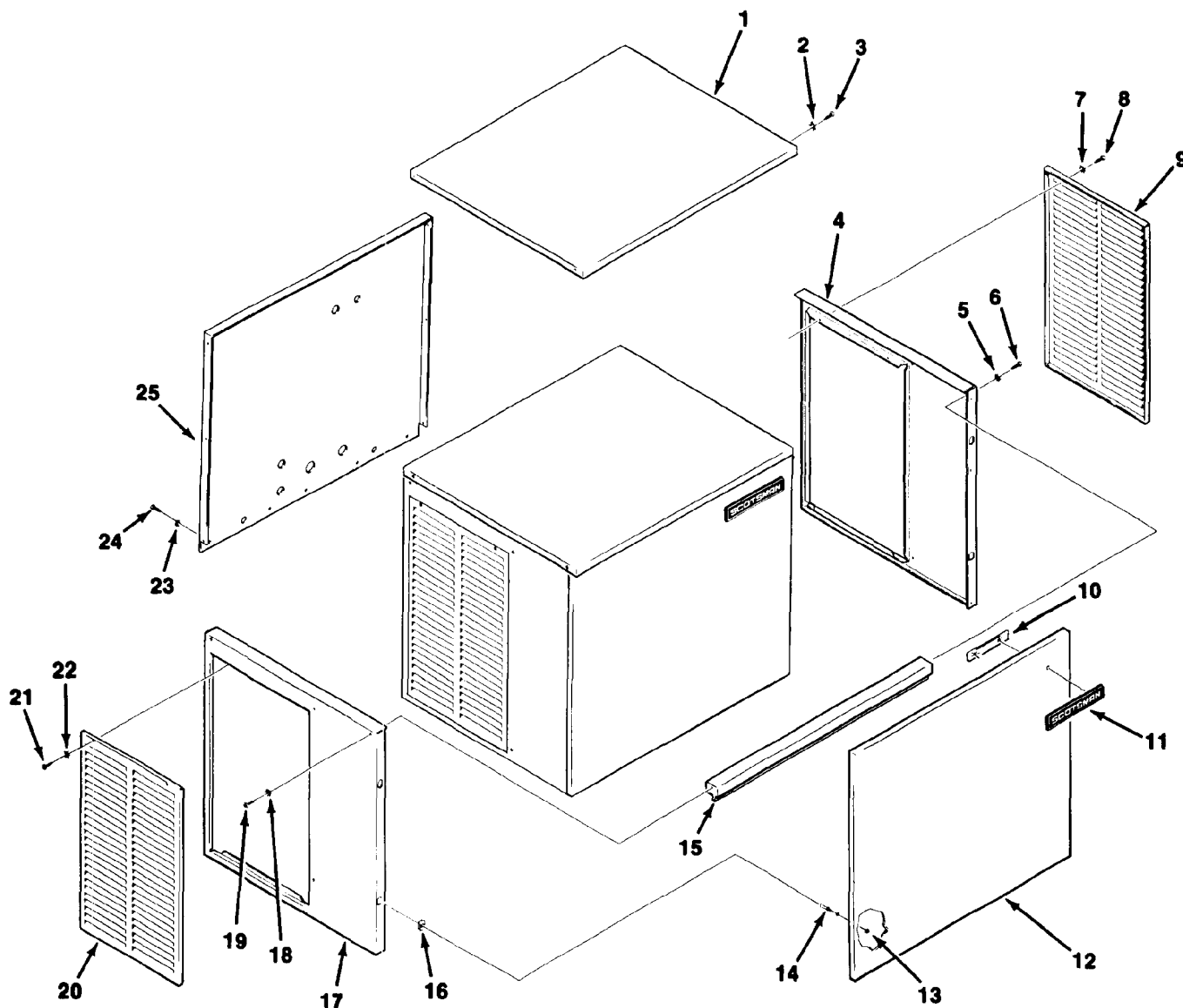
Control Box

Wiring Diagrams

CM650R THE PARTS ILLUSTRATIONS AND PARTS LISTS



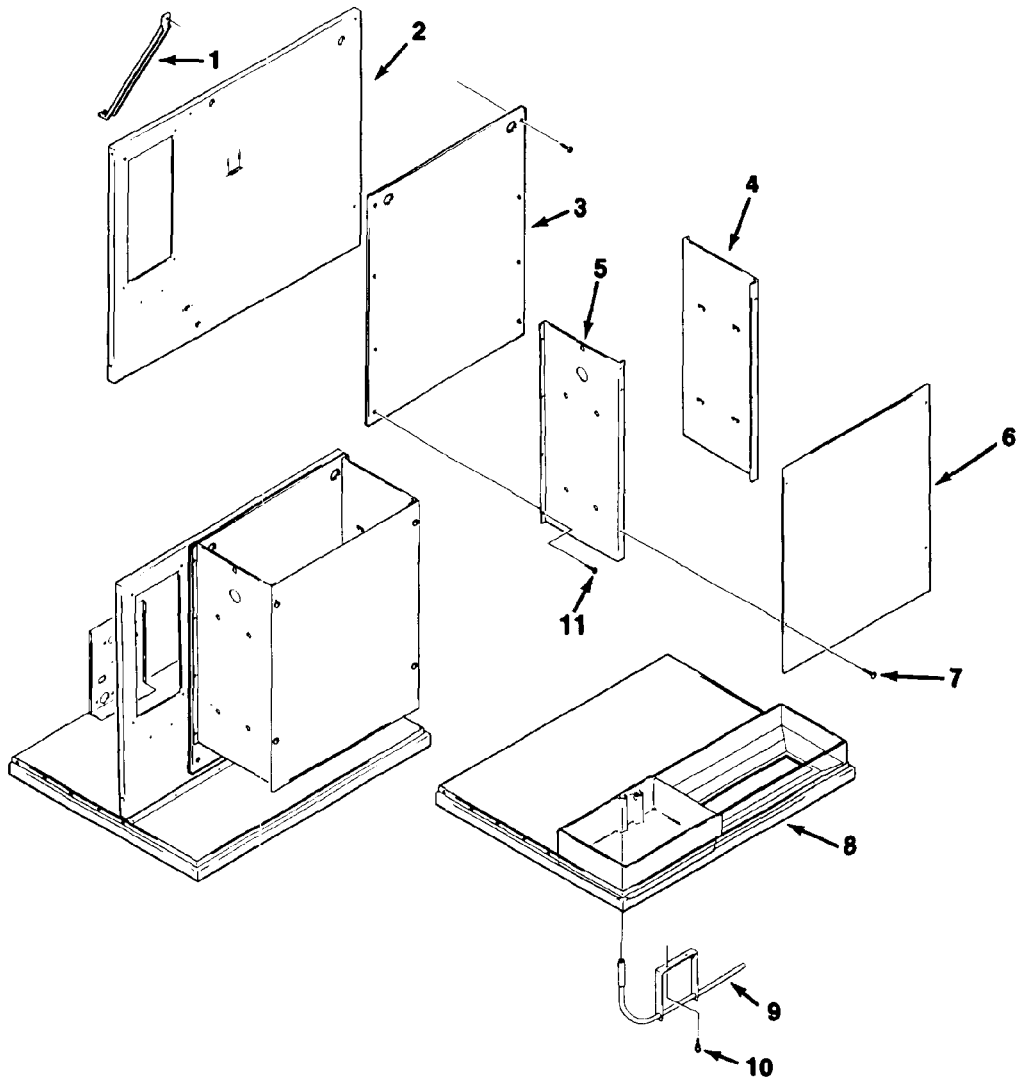
CM650R THE PARTS ILLUSTRATIONS AND PARTS LISTS



CABINET ASSEMBLY (PART I)

ITEM NUMBER	PART NUMBER		DESCRIPTION	ITEM NUMBER	PART NUMBER		DESCRIPTION
	"A" & "C"	"D"			"A" & "C"	"D"	
1	A31084-001	A32159-001	Top Panel, Enamel	13	03-1406-04	Same	Nut, #8-32
	A31084-002	A32159-002	Top Panel, Stainless Steel	14	15-0411-00	Same	Strike
2	03-1417-03	Same	Lockwasher	15	No Number	A32169-001	Front Support
3	03-1531-01	Same	Screw, #8-32	16	02-0836-00	Same	Cabinet Catch
4	A31086-001	A32162-001	End Panel (Right), Enamel	17	A31085-001	A32163-001	End Panel (Left), Enamel
	A31086-002	A32162-002	End Panel (Right), Stainless Steel		A31085-002	A32163-002	End Panel (Left), Stainless Steel
5	03-1417-03	Same	Lockwasher	18	03-1417-03	Same	Lockwasher
6	03-1531-01	Same	Screw	19	03-1531-01	Same	Screw
7	03-1417-03	Same	Lockwasher	20	A31242-001	A32161-001	Service Panel, Enamel
8	03-1404-12	Same	Screw, #8-32		A31242-002	A32161-002	Service Panel, Stainless Steel
9	A31242-001	A32161-001	Service Panel, Enamel	21	03-1404-12	Same	Screw, #8-32
	A31242-002	A32161-002	Service Panel, Stainless Steel	22	03-1412-03	Same	Lockwasher
10	03-0271-00	Same	Speed Nut	23	03-1417-03	Same	Lockwasher
11	15-0711-00	Same	Emblem	24	03-1531-01	Same	Screw
12	A30900-001	A32160-001	Front Panel, Enamel	25	A31048-001	A32202-001	Back Panel, F.A.
	A30900-002	A32160-002	Front Panel, Stainless Steel				

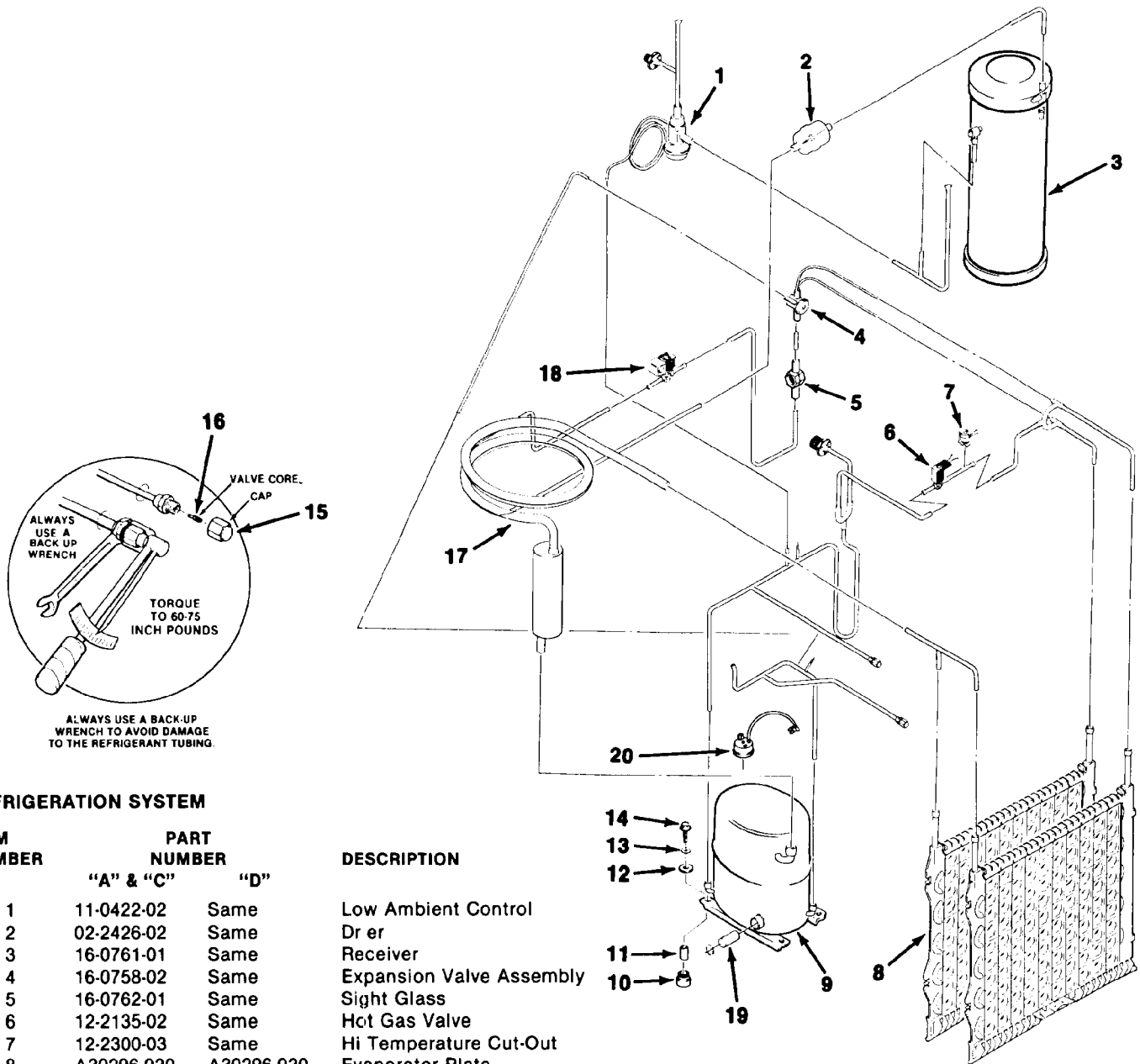
CM650R THE PARTS ILLUSTRATIONS AND PARTS LISTS



CABINET ASSEMBLY (PART II)

ITEM NUMBER	PART NUMBER		DESCRIPTION
	"A" & "C"	"D"	
1	A30906-001	A32210-001	Support Brace
2	A31151-002	A32158-001	Retainer F.A.
3	02-2810-01	02-2867-01	Splash Panel
4	A31080-001	A32172-001	Evaporator Bracket (Right)
5	A31082-001	A32173-001	Evaporator Bracket (Left)
6	A30897-001	A32165-001	Evaporator Plate Cover
7	03-0727-05	Same	Thumbscrew
8	A31217-001	A32153-001	Base
9	A31099-001	A32262-001	Bin Thermostat Bracket
10	03-0727-05	03-0727-09	Thumbscrew
11		03-1531-002	Screw

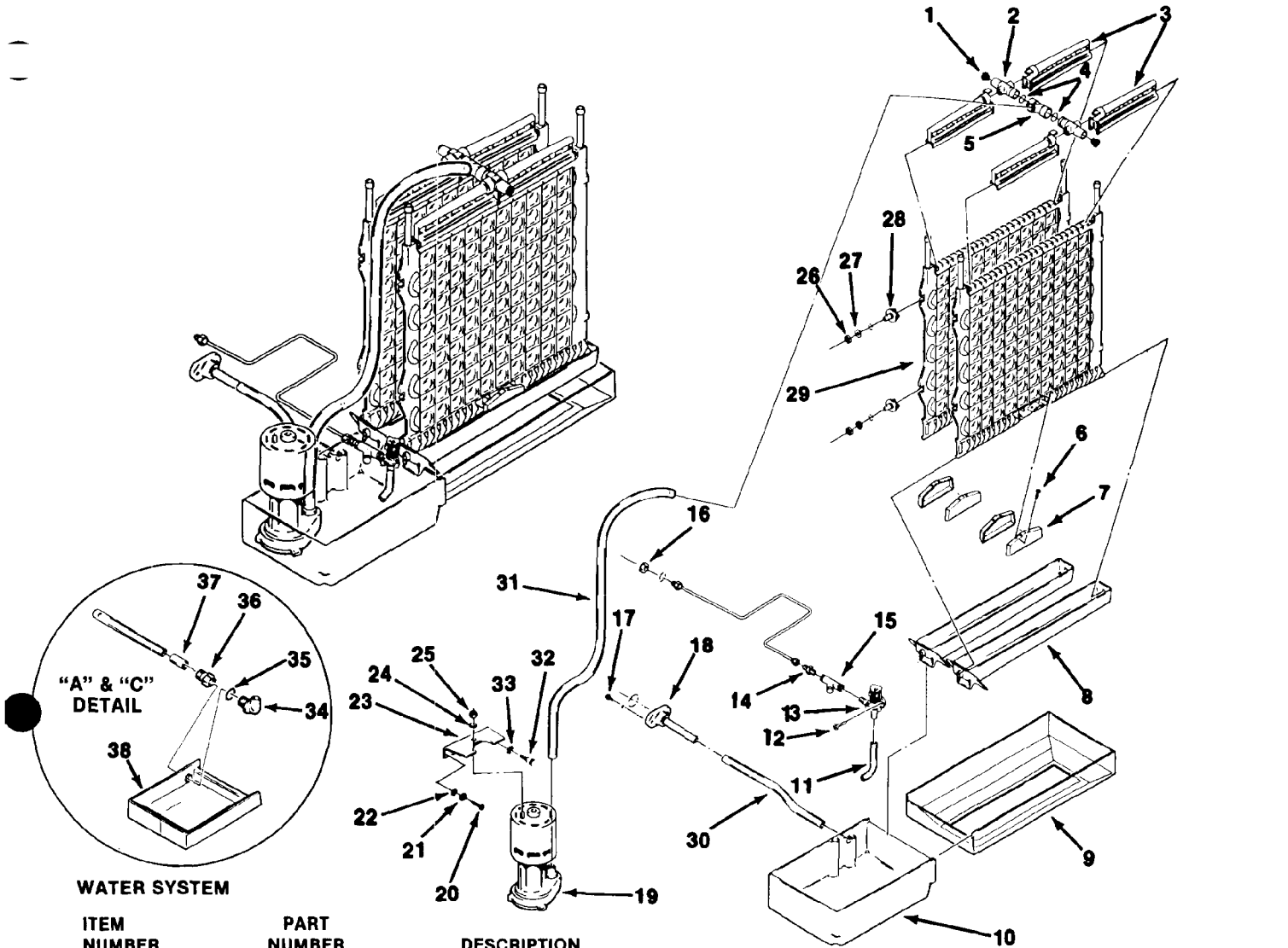
CM650R THE PARTS ILLUSTRATIONS AND PARTS LISTS



REFRIGERATION SYSTEM

ITEM NUMBER	PART NUMBER		DESCRIPTION
	"A" & "C"	"D"	
1	11-0422-02	Same	Low Ambient Control
2	02-2426-02	Same	Driver
3	16-0761-01	Same	Receiver
4	16-0758-02	Same	Expansion Valve Assembly
5	16-0762-01	Same	Sight Glass
6	12-2135-02	Same	Hot Gas Valve
7	12-2300-03	Same	Hi Temperature Cut-Out
8	A30296-020	A30296-020	Evaporator Plate
9	18-5600-02	Same	Compressor (208-230/60/1)
	18-5800-03	Same	Compressor (208-230/60/3)
10	18-2200-28	Same	Mounting Grommet
11	18-2200-27	Same	Sleeve
12	03-1407-07	Same	Washer, 5/16
13	03-1417-12	Same	Washer
14	03-1405-20	Same	Screw, 5/16-18
15	16-0563-00	Same	Valve Cap
16	16-0560-00	Same	Valve Core
17	A31132-020	A32305-020	Heat Exchanger
18	12-2274-01	12-2274-01	Liquid Line Solenoid (CM650R)
19	12-1868-02	Same	Crankcase Heater (CM650R) 32D
	Same	12-1868-03	Crankcase Heater (CM650R) 3D
20	18-5600-51	Same	Overload for 18-5600-02 Compressor

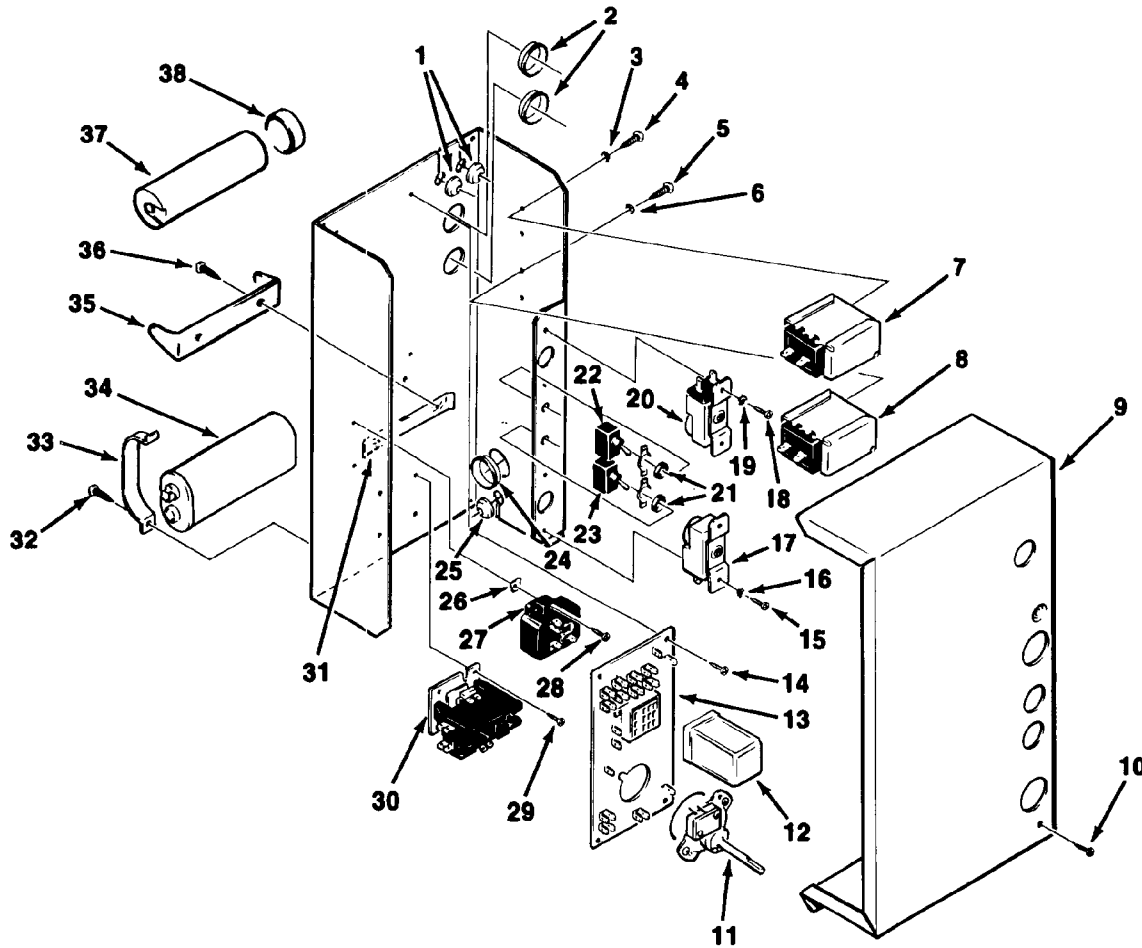
CM650R THE PARTS ILLUSTRATIONS AND PARTS LISTS



WATER SYSTEM

ITEM NUMBER	PART NUMBER		DESCRIPTION	PART NUMBER		DESCRIPTION	
	"A" & "C"	"D"		"A"	"C"		
1	13-0840-01	Same	Manifold Hole Plug	21	03-1407-03	Washer	
2	A29703-001	Same	Manifold Water Tube	22	03-1408-31	Washer	
3	02-2527-01	Same	Water Distributor Tube	23	A30914-001	Pump Mounting Bracket	
4	13-0617-48	Same	O-Ring (2)	24	03-1417-03	Lockwasher, #10	
5	02-2519-01	Same	Plastic Tee	25	03-1406-03	Nut, #10-32	
6	03-1404-10	Same	Screw, #8 x 1/2" S.S.	26	03-1394-03	Pal Nut	
7	02-2878-01	Same	Sump End Cover	27	03-1408-34	Special Washer	
8	02-2801-01	02-2868-01	Drain Trough	28	02-2642-01	Same	
9	No Number	No Number	Cube Chute	29	A30296-020	Same	
10		02-2869-01	Sump	30	No Number	13-0674-07	Drain Hose, 8"
11	A30918-001	Same	Sump Inlet Tube	31	13-0674-07	Same	Water Hose, 33"
12	03-1531-01	Same	Screw, #8-32	32	03-0727-45	03-0727-09	Thumbscrew
13	12-2261-03	12-2313-03	Solenoid Valve Assembly	33	03-1417-03	Same	Lockwasher
14		16-0791-01	Half Union Coupling	"A" & "C" DETAIL			
15		16-0162-00	Strainer	34	A30917-001	A30917-002	Stand Pipe
16	03-1394-01	Same	Pal Nut	35	13-0617-02	Same	O-Ring
17	03-1405-03	03-1645-01	Screw	36	02-2606-01	Same	Tube - Female
18	A31757-004	A32282-003	Drain Fab Assembly (Air-Cooled)	37	13-0674-11	Same	Drain Tube, 3.5"
19	12-2265-22	Same	Water Pump Assembly	38	02-2812-01	02-2812-02	Reservoir
20		03-1403-17	Screw, #8-32 x 3/8"				

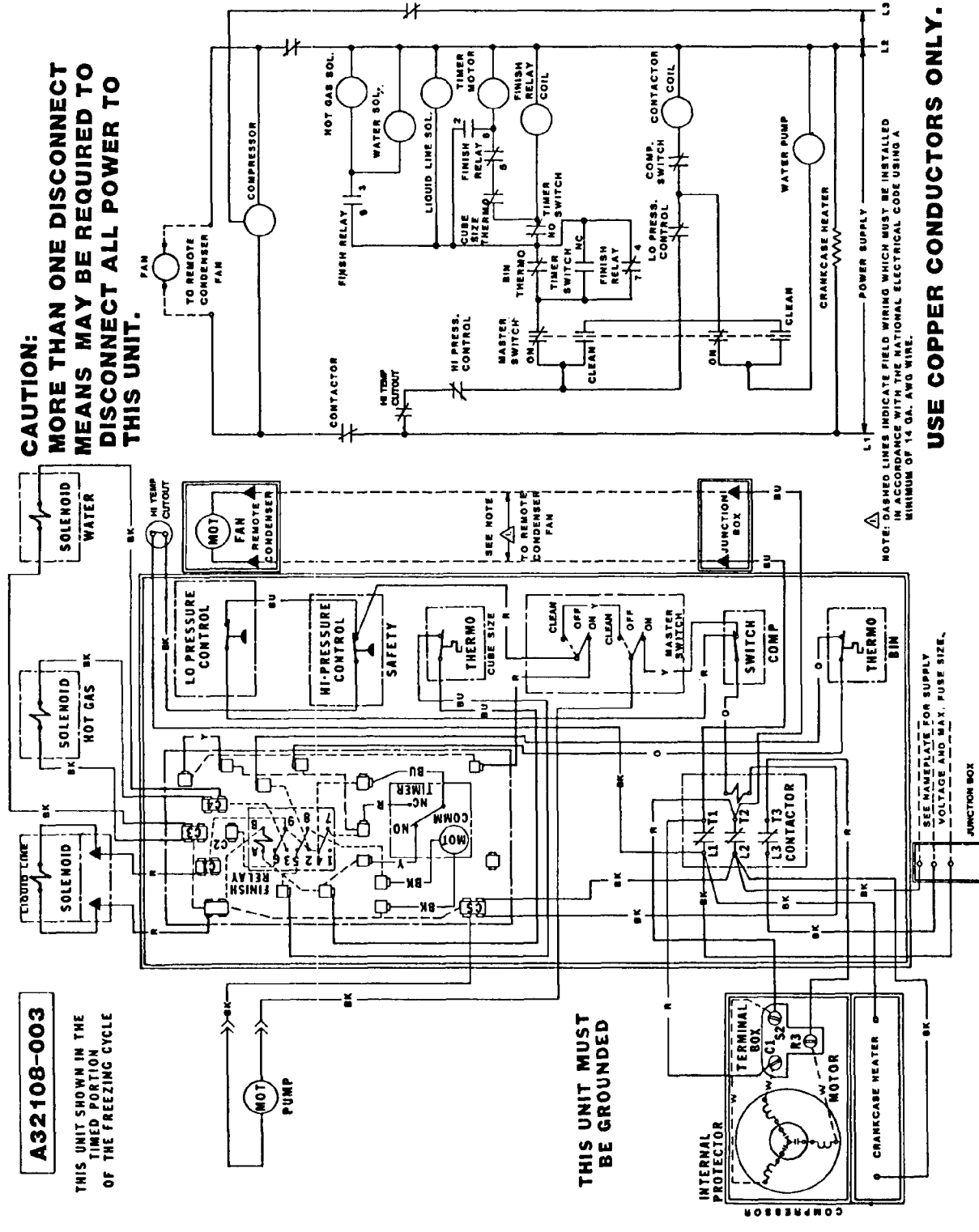
CM650R THE PARTS ILLUSTRATIONS AND PARTS LISTS



CONTROL BOX

ITEM NUMBER	PART NUMBER		DESCRIPTION	ITEM NUMBER	PART NUMBER		DESCRIPTION
	"A" & "C"	"D"			"A" & "C"	"D"	
1	13-0557-00	Same	Grommet	20	11-0435-01	Same	Cube Size Control
2	12-1213-10	Same	Snap Bushing	21	03-1417-16	Same	Tooth Lockwasher
3	03-1417-18	Same	Tooth Lockwasher (2)	22	12-0426-01	Same	Switch SPST
4	03-1403-02	Same	Screw, #6-32 (2)	23	12-0426-01	Same	Switch SPST
5	03-1403-02	Same	Screw, #6-32 (2)	24	12-1213-17	Same	Snap Bushing
6	03-1417-18	Same	Tooth Lockwasher (2)	25	13-0557-00	Same	Grommet
7	11-0420-01	Same	Lo Pressure Control	26	03-1423-01	Same	Speed Nut (1)
8	11-0429-01	Same	High Pressure Control	27	18-1903-33	Same	Potential Relay (208-230/60/1)
9	A30902-001	A32168-001	Control Box Cover	28	03-1403-02	Same	Screw, #6-32 (2)
10	03-1531-01	Same	Screw	29	03-1403-15	Same	Screw, #8-32
11	12-1980-02	Same	Timer	30	12-2048-02	Same	Contactors (208-230/60/3)
12	12-1879-03	Same	Relay, 3PDT (208-230)	31	03-1103-00	Same	Twin Speed Nut (1)
13	12-1912-01	Same	Circuit Board	32	03-1418-06	Same	Hex Screw, #10-24 x 1/2 (2)
14	03-1403-02	Same	Screw, #6-32 (5)	33	No Number	Same	Bracket, Run Capacitor
15	03-1403-05	Same	Screw, #8-32 (2)	34	18-1902-45	Same	Run Capacitor
16	03-1417-03	Same	Tooth Lockwasher	35	18-2200-39	Same	Start Capacitor Bracket
17	11-0427-02	Same	Bin Thermostat	36	03-1403-15	Same	Screw, #8-32 (2)
18	03-1403-05	Same	Screw, #8-32 (2)	37	18-1901-45	Same	Start Capacitor
19	03-1417-03	Same	Tooth Lockwasher	38	18-2200-38	Same	Start Capacitor Cap

CM650R WIRING DIAGRAM



CAUTION:
MORE THAN ONE DISCONNECT
MEANS MAY BE REQUIRED TO
DISCONNECT ALL POWER TO
THIS UNIT.

USE COPPER CONDUCTORS ONLY.

A32108-003

THIS UNIT SHOWN IN THE
 TIMED PORTION
 OF THE FREEZING CYCLE

**THIS UNIT MUST
 BE GROUNDED**

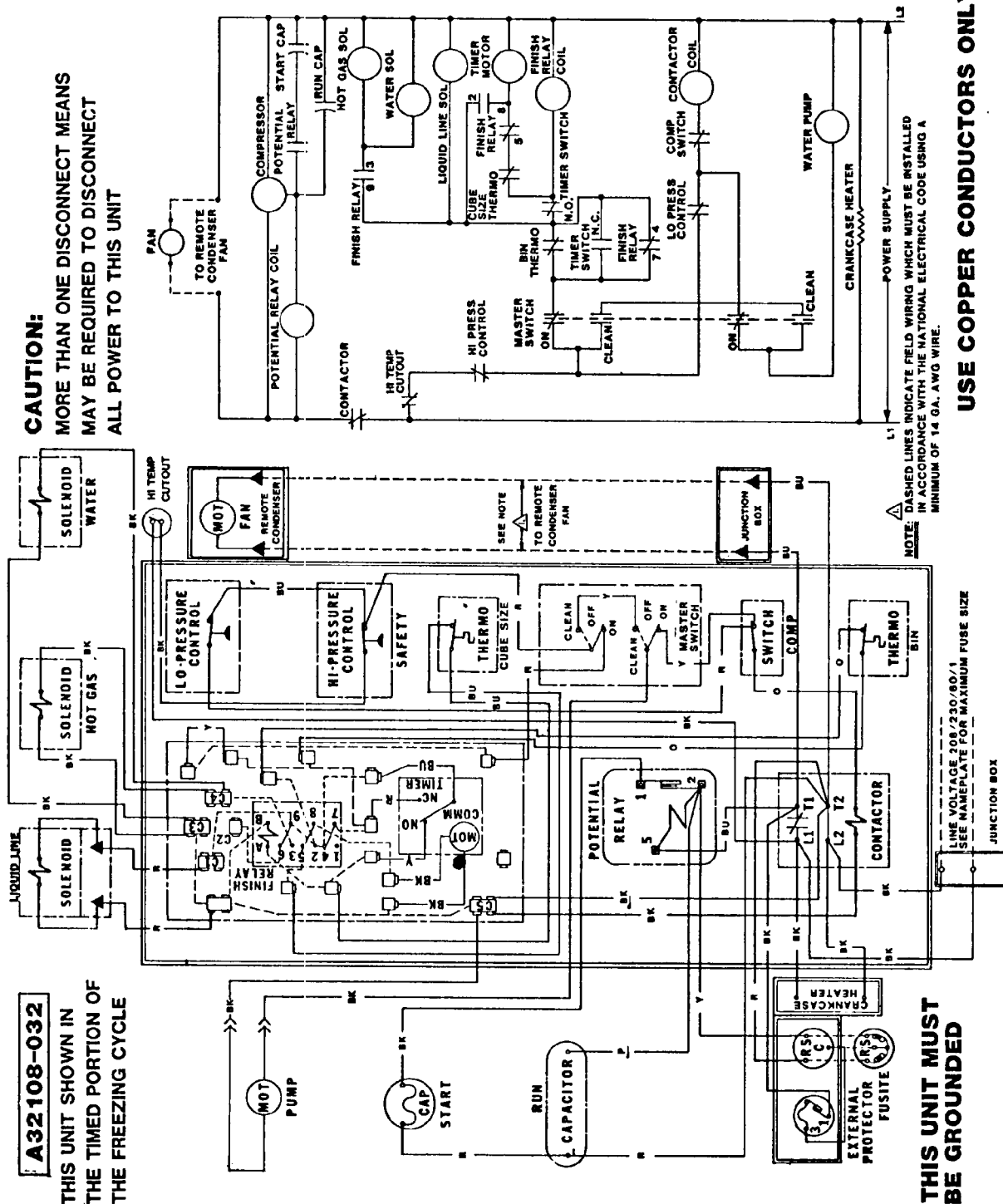
NOTE: DASHED LINES INDICATE FIELD WIRING WHICH MUST BE INSTALLED
 IN ACCORDANCE WITH THE NATIONAL ELECTRICAL CODE USING A
 MINIMUM OF 14 GA. AWG WIRE.

SEE NAMEPLATE FOR SUPPLY
 VOLTAGE AND MAX. FUSE SIZE.

Use of the High Temperature cut-out begins with Serial Number 877650-02G

CM650R WIRING DIAGRAM

CAUTION:
MORE THAN ONE DISCONNECT MEANS
MAY BE REQUIRED TO DISCONNECT
ALL POWER TO THIS UNIT



A32108-032
THIS UNIT SHOWN IN
THE TIMED PORTION OF
THE FREEZING CYCLE

**THIS UNIT MUST
BE GROUNDED**

USE COPPER CONDUCTORS ONLY

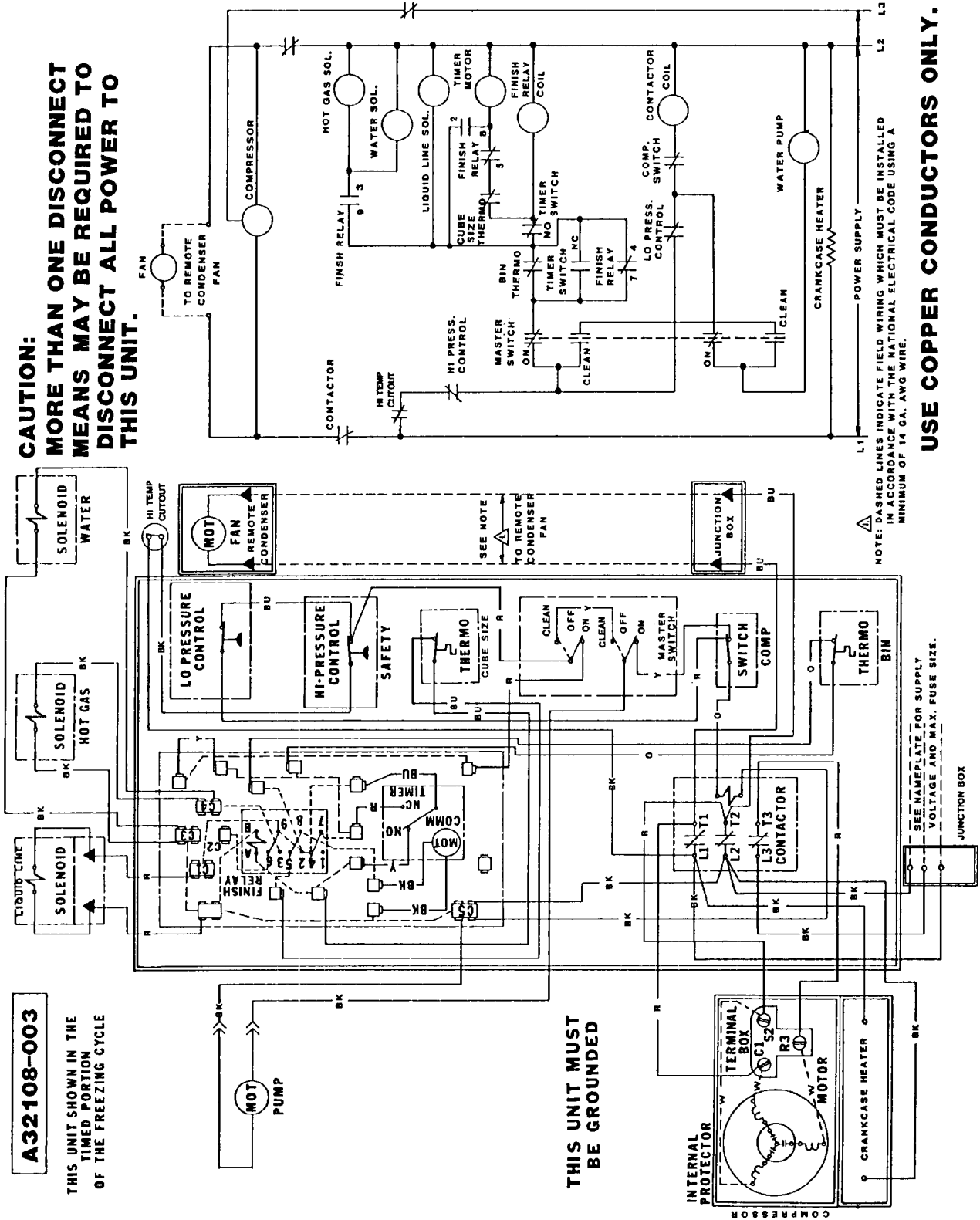
NOTE: DASHED LINES INDICATE FIELD WIRING WHICH MUST BE INSTALLED
IN ACCORDANCE WITH THE NATIONAL ELECTRICAL CODE USING A
MINIMUM OF 14 GA. AWG WIRE.

LINE VOLTAGE 208/230/80/1
SEE NAMEPLATE FOR MAXIMUM FUSE SIZE

Use of the High Temperature cut-out begins with Serial Number 877650-02G

CM650R WIRING DIAGRAM

CAUTION:
MORE THAN ONE DISCONNECT
MEANS MAY BE REQUIRED TO
DISCONNECT ALL POWER TO
THIS UNIT.



A32108-003
 THIS UNIT SHOWN IN THE
 TIMED PORTION
 OF THE FREEZING CYCLE

**THIS UNIT MUST
 BE GROUNDED**

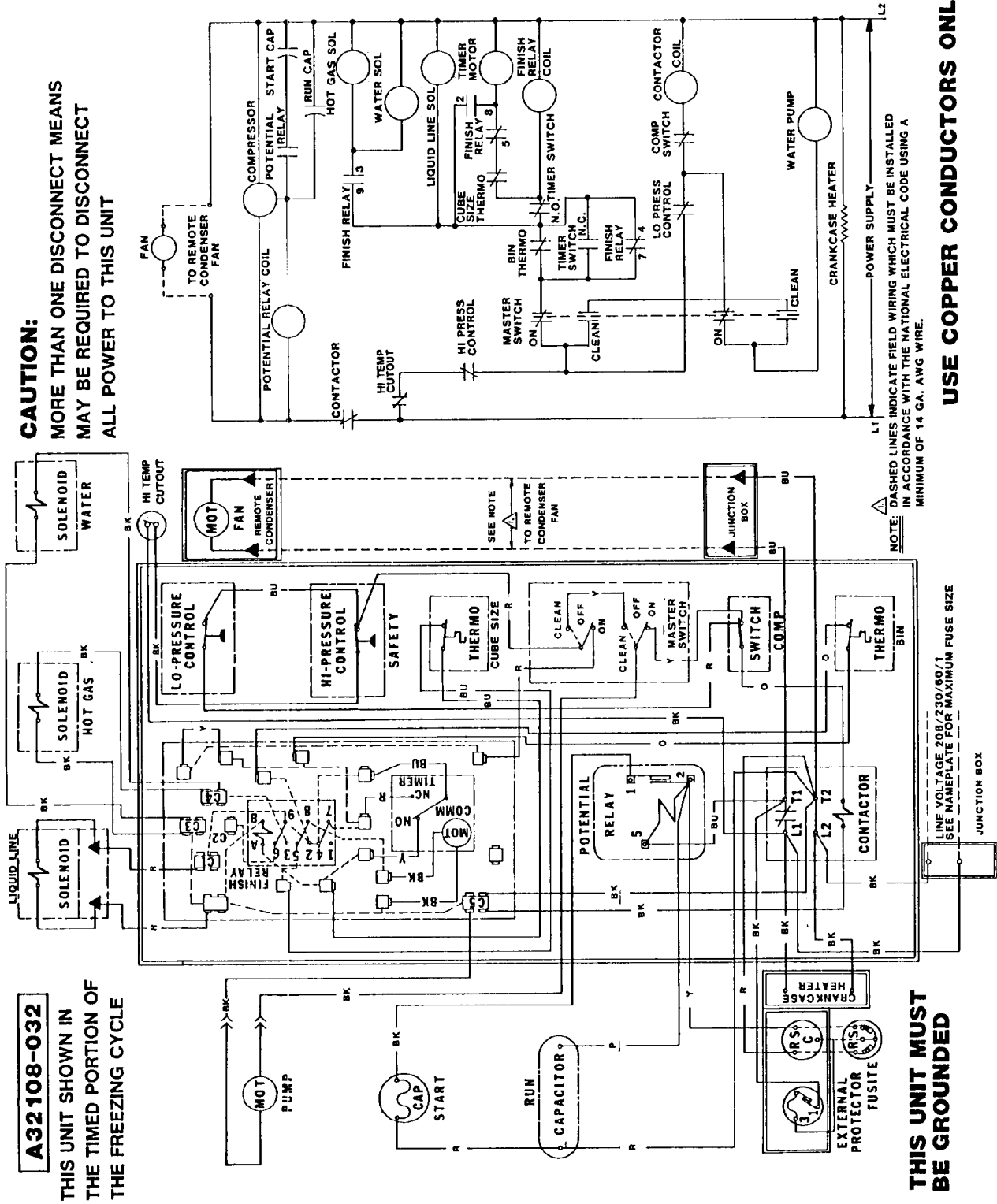
NOTE: DASHED LINES INDICATE FIELD WIRING WHICH MUST BE INSTALLED
 IN ACCORDANCE WITH THE NATIONAL ELECTRICAL CODE USING A
 MINIMUM OF 14 GA. AWG WIRE.

USE COPPER CONDUCTORS ONLY.

Wiring Diagram CM650RE-3D (208-220/60/3)

CM650R WIRING DIAGRAM

CAUTION:
MORE THAN ONE DISCONNECT MEANS
MAY BE REQUIRED TO DISCONNECT
ALL POWER TO THIS UNIT



Wiring Diagram CM650RE-32D (208-230/60/1)