
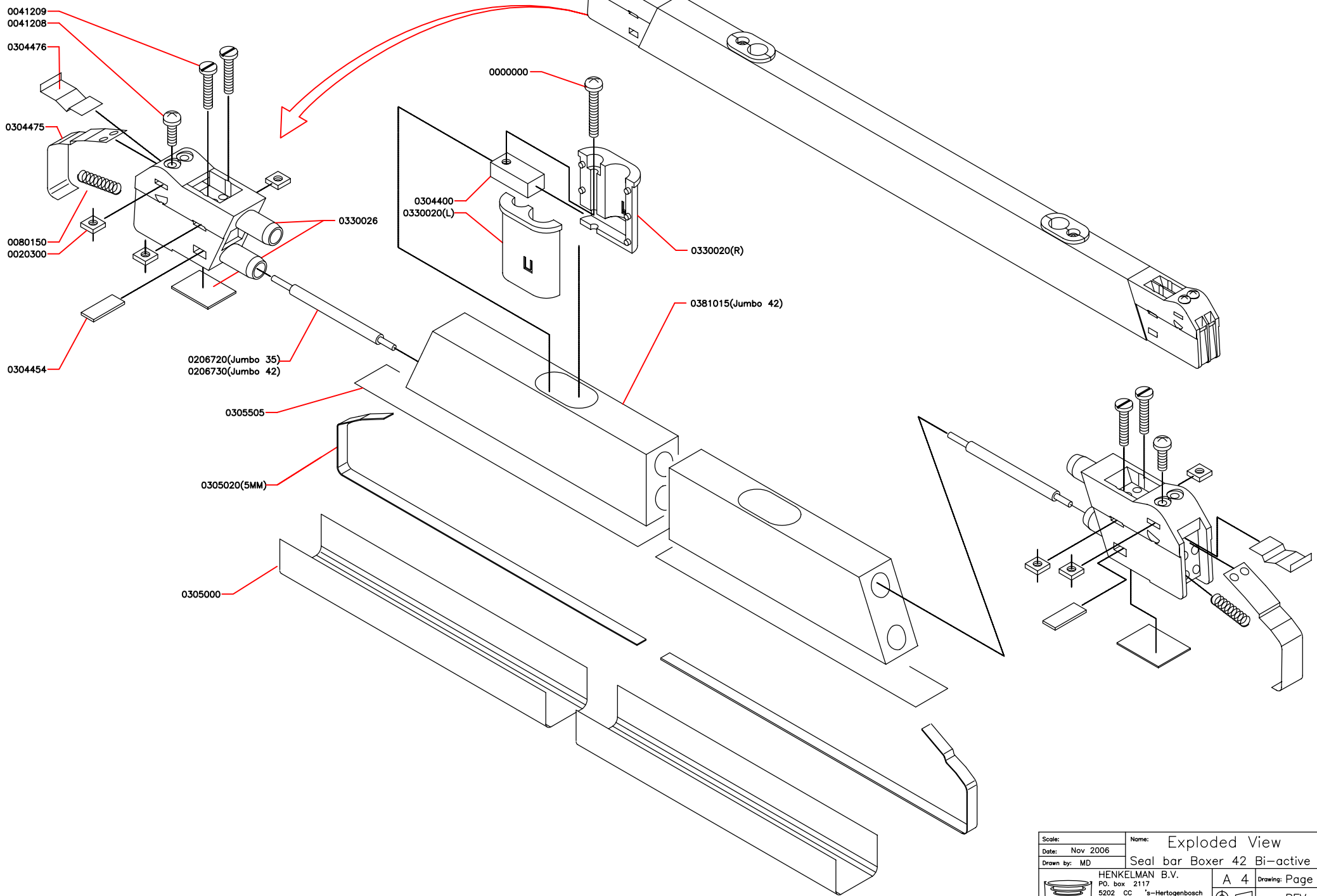


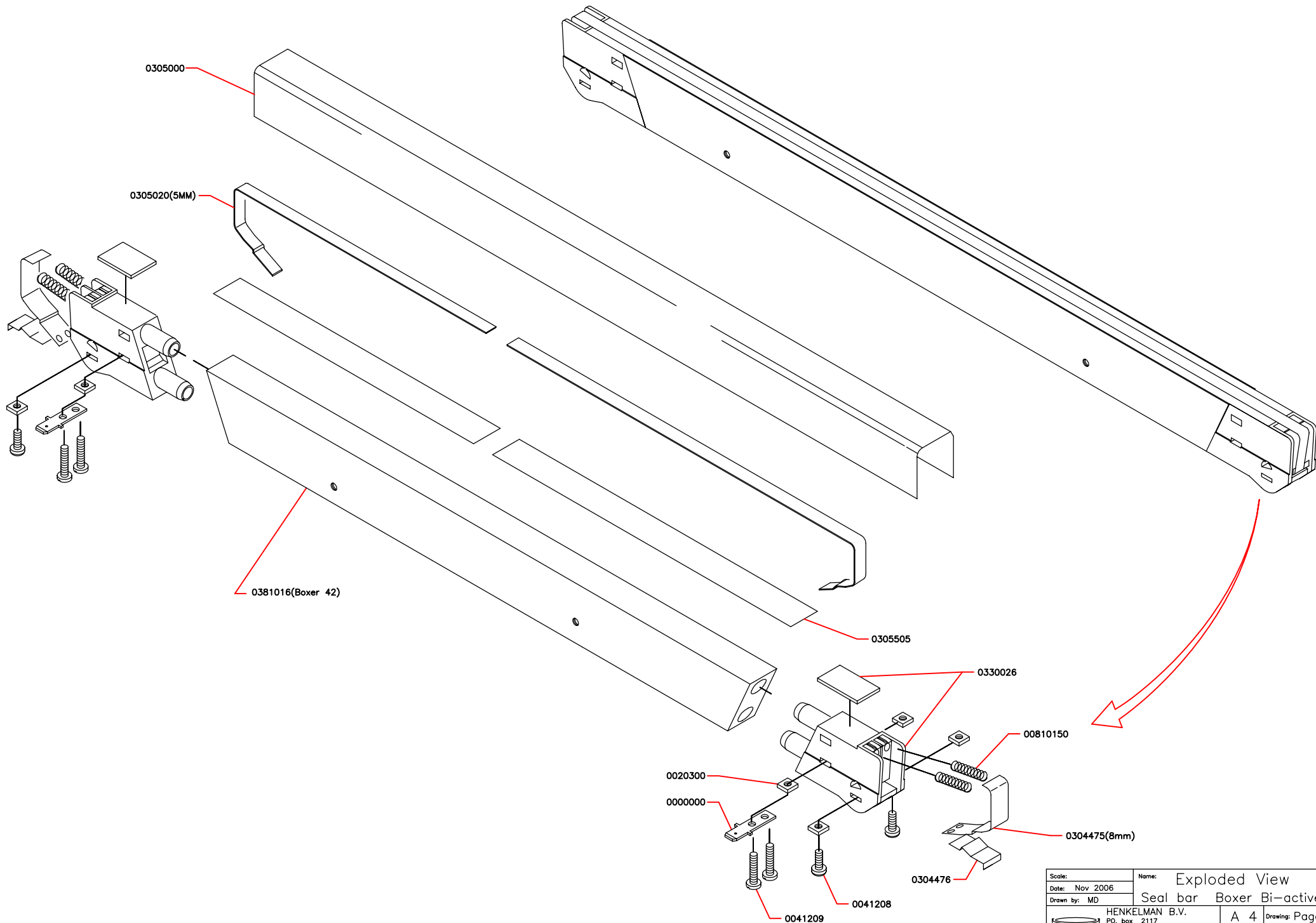
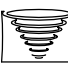


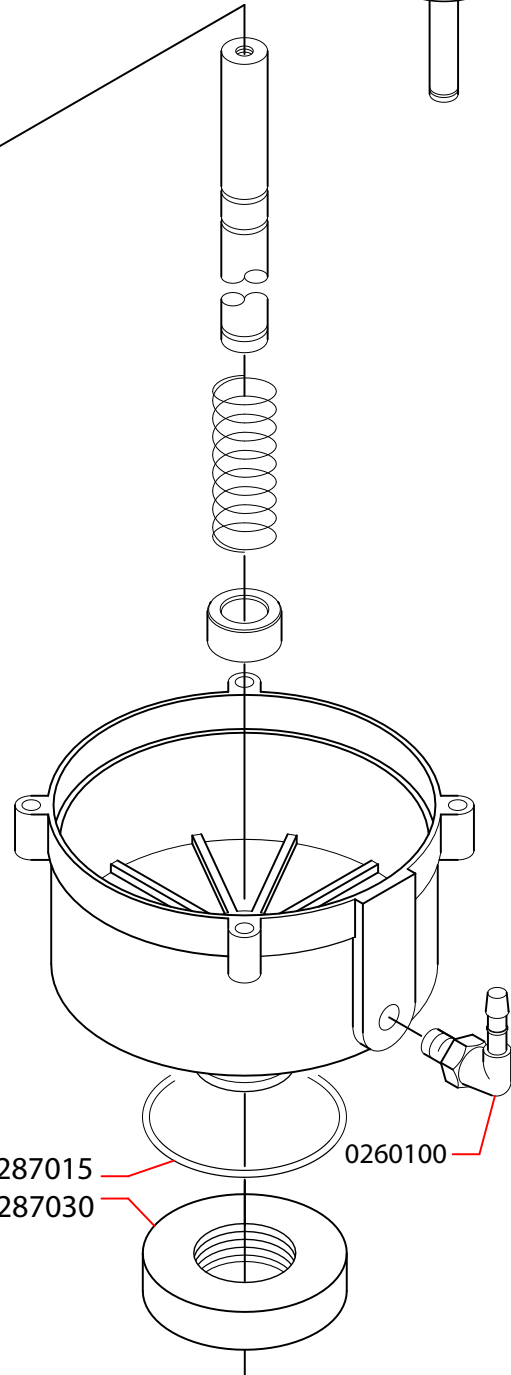
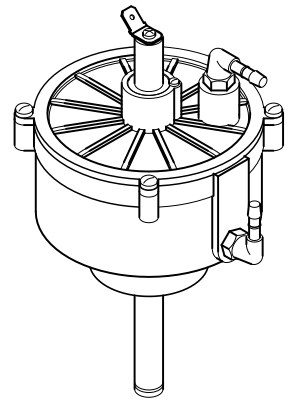
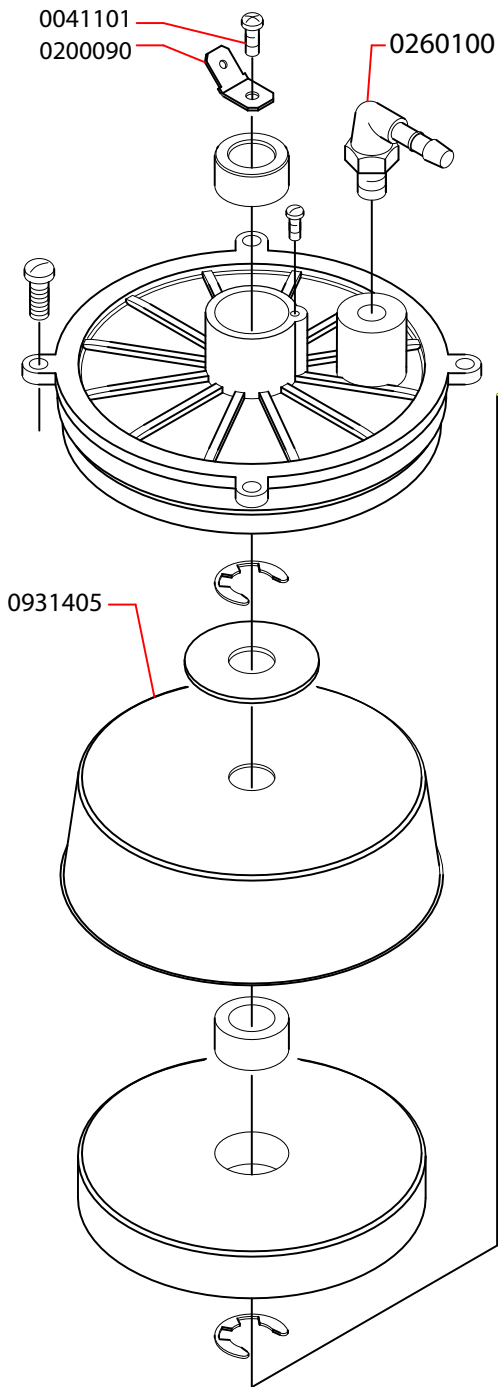
Scale:	Name:	Exploded View	
Date: May 2004	BOXER 42 XL BI-ACTIVE		
Drawn by: MD			
 HENKELMAN B.V. P.O. box 2117 5202 CC 's-Hertogenbosch Tel. ++31(0)73 - 6213671 Fax ++31(0)73 - 6221318 The Netherlands	A 4	Drawing: Page 1-1	
	Rev, no: 02		<small>Ownership explicitly reserved. Multiplication or information to third-parties in any form is not permitted without written permission of the owner.</small>



Scale:	Name:	Exploded View	
Date: Nov 2006	Seal bar Boxer 42 Bi-active (B)		
Drawn by: MD	Drawing: Page 1-2		
	HENKELMAN B.V.		
	P.O. box 2117		
	5202 CC 's-Hertogenbosch		
	Tel. ++31(0)73 - 6213671		
Fax ++31(0)73 - 6221318		REV. 01	<small>Ownership explicitly reserved. Multiplication or information to third parties in any form is not permitted without written permission of the owner.</small>
The Netherlands			



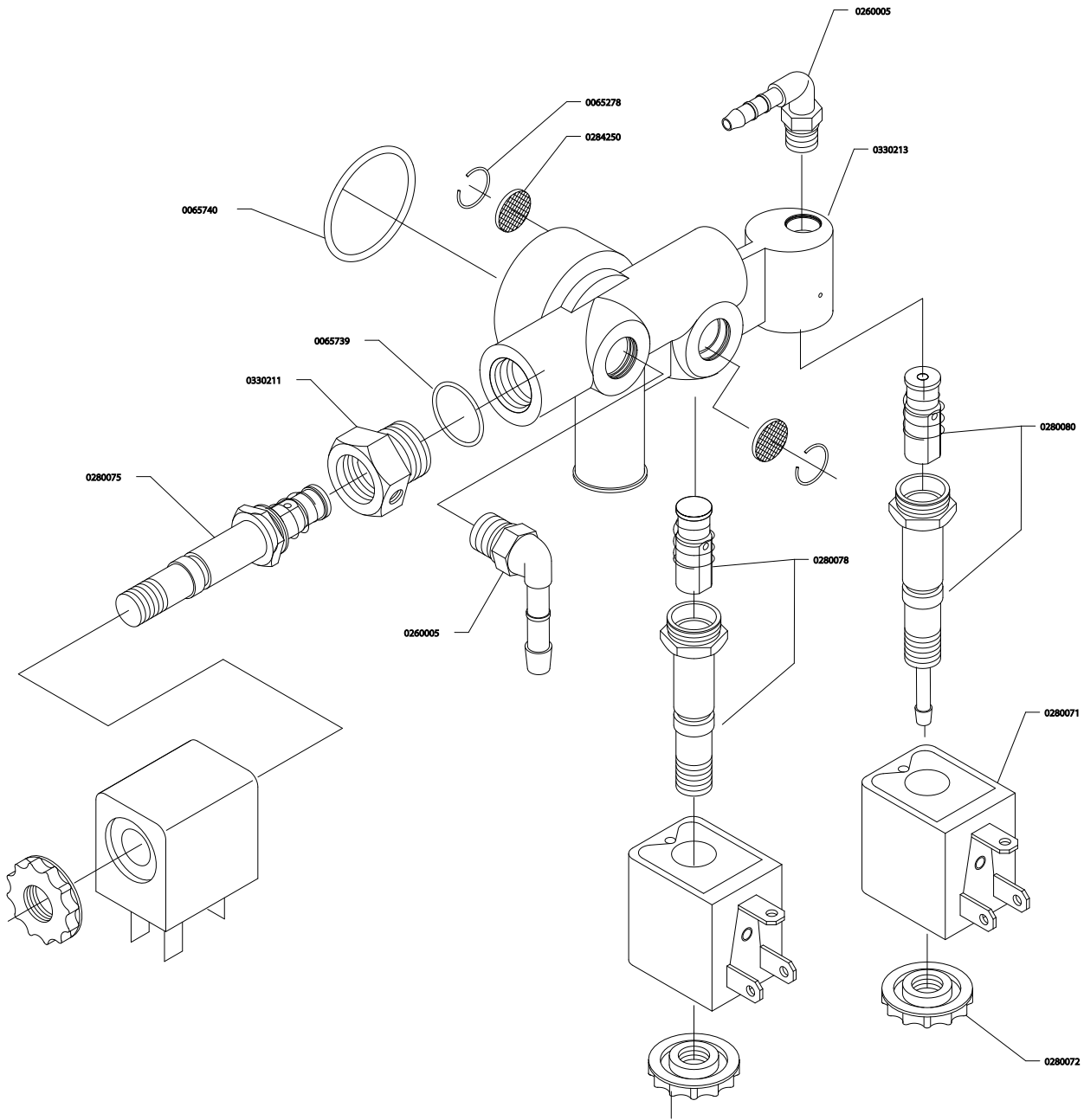
Scale:	Name: Exploded View
Date: Nov 2006	Seal bar Boxer Bi-active (T)
Drawn by: MD	
 HENKELMAN B.V. PO. box 2117 5202 CC 's-Hertogenbosch Tel. ++31(0)73 - 6213671 Fax ++31(0)73 - 6221318 The Netherlands	A 4 Drawing: Page 2-2 Rev. 01 <small>Ownership explicitly reserved. Multiplication or information to third parties in any form is not permitted without written permission of the owner.</small>

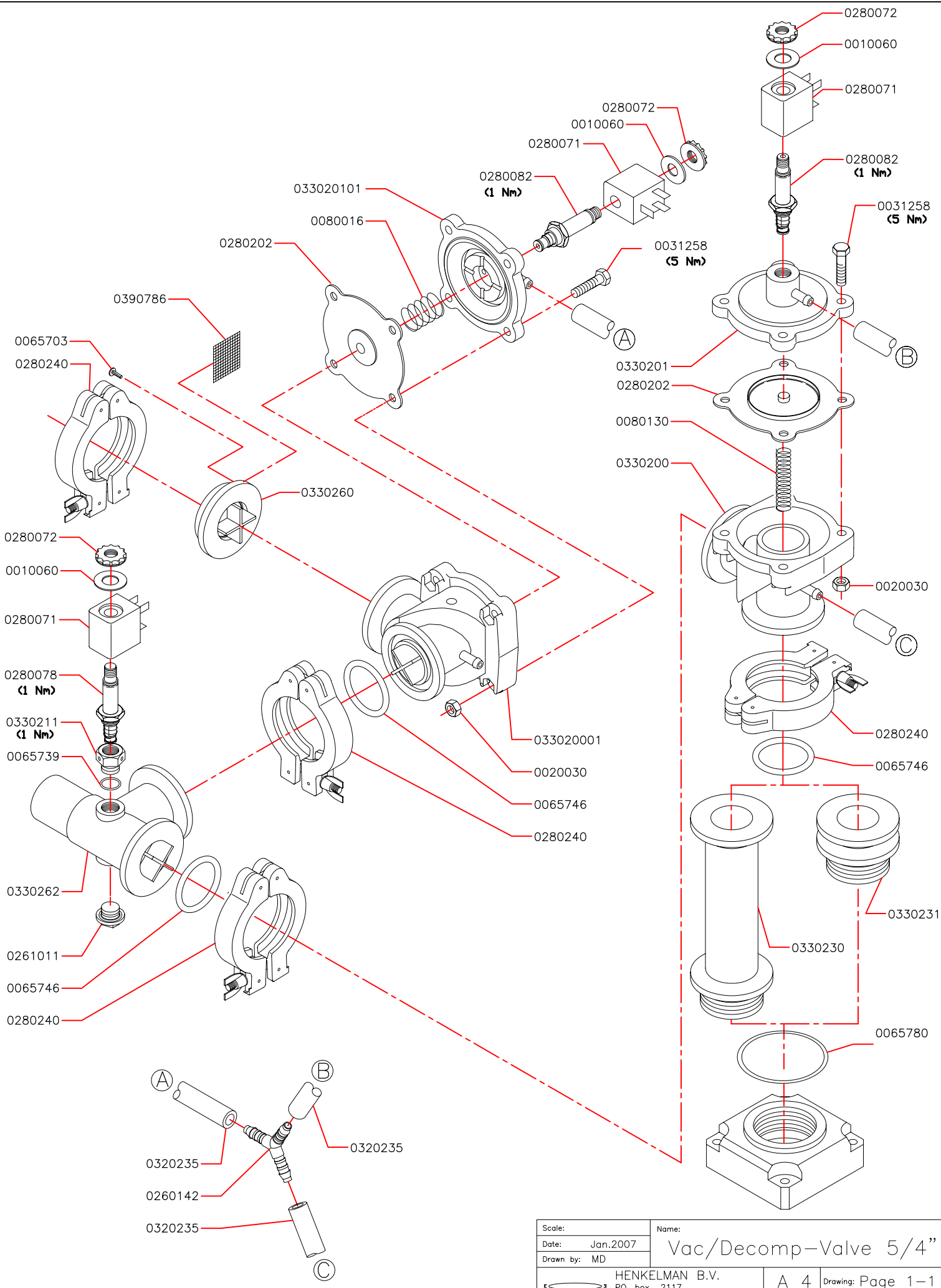


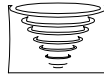
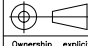
0286008 J35 / B35

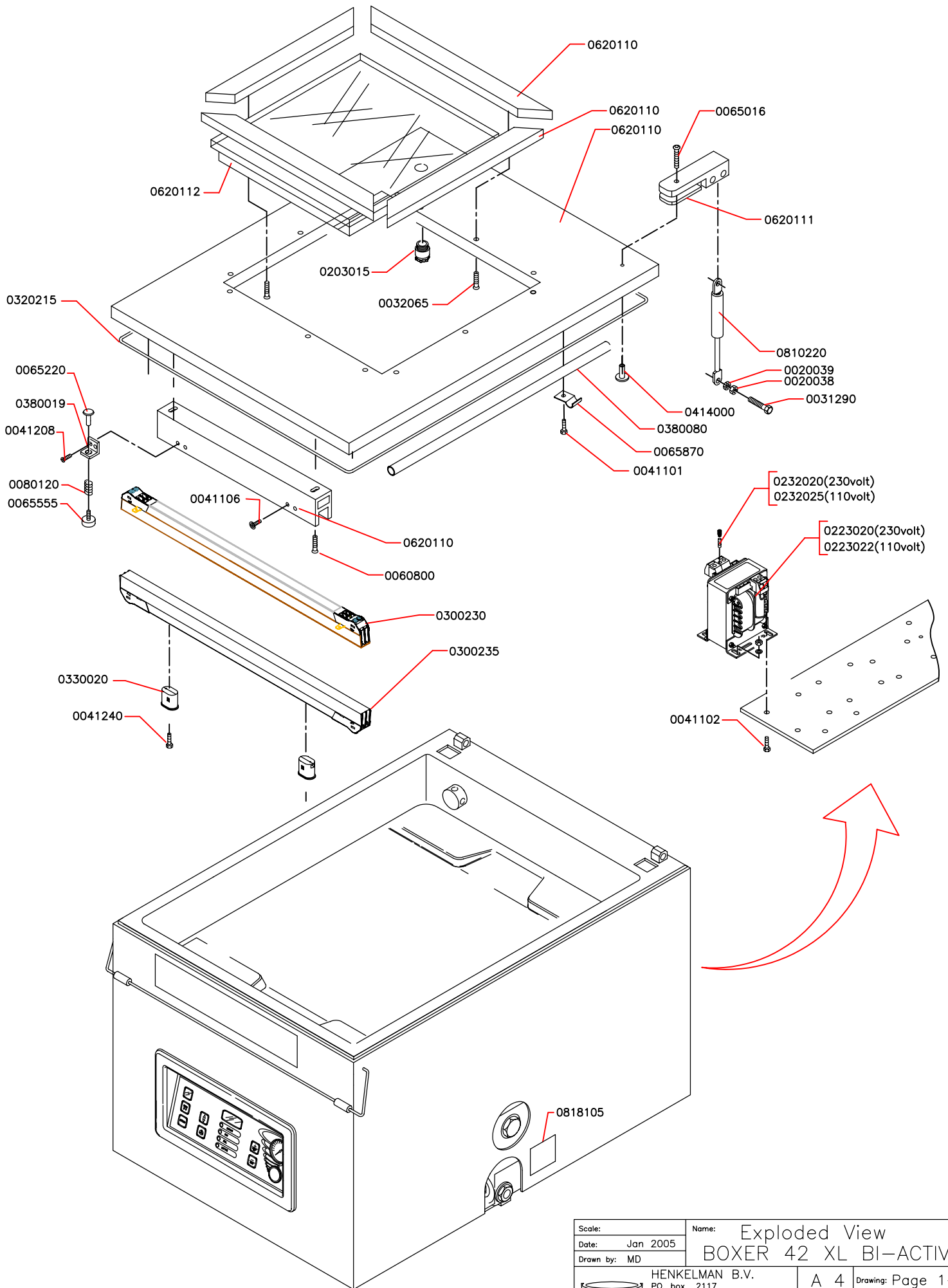
0286010 J42 / B42 XL  
M42 XL  
M90

Scale:	Name: Exploded View
Date: April 2004	Seal cilinder Boxer 42
Drawn by: MD	
HENKELMAN B.V. PO. box 2117 5202 CC 's-Hertogenbosch Tel. ++31(0)73 - 6213671 Fax ++31(0)73 - 6213118 The Netherlands	
A 4	Drawing: Page 1-1
Rev.01	
<small>Copyright, explicitly reserved. Reproduction or distribution in third parties is not permitted without written permission of the owner.</small>	



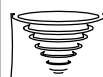


Scale:	Name:
Date: Jan.2007	Vac/Decomp-Valve 5/4"
Drawn by: MD	
	HENKELMAN B.V. P.O. box 2117 5202 CC 's-Hertogenbosch Tel. ++31(0)73 - 6213671 Fax ++31(0)73 - 6221318 The Netherlands
	A 4 Drawing: Page 1-1 
<small>Ownership explicitly reserved. Multiplication or information to third parties in any form is not permitted without written permission of the owner.</small>	



Scale:  
Date: Jan 2005  
Drawn by: MD

Name: Exploded View  
BOXER 42 XL BI-ACTIVE



HENKELMAN B.V.  
P.O. box 2117  
5202 CC 's-Hertogenbosch  
Tel. ++31(0)73 - 6213671  
Fax ++31(0)73 - 6221318  
The Netherlands

A 4

Drawing: Page 1-1



Rev, no: 03

Ownership explicitly reserved. Multiplication or information to third parties in any form is not permitted without written permission of the owner.