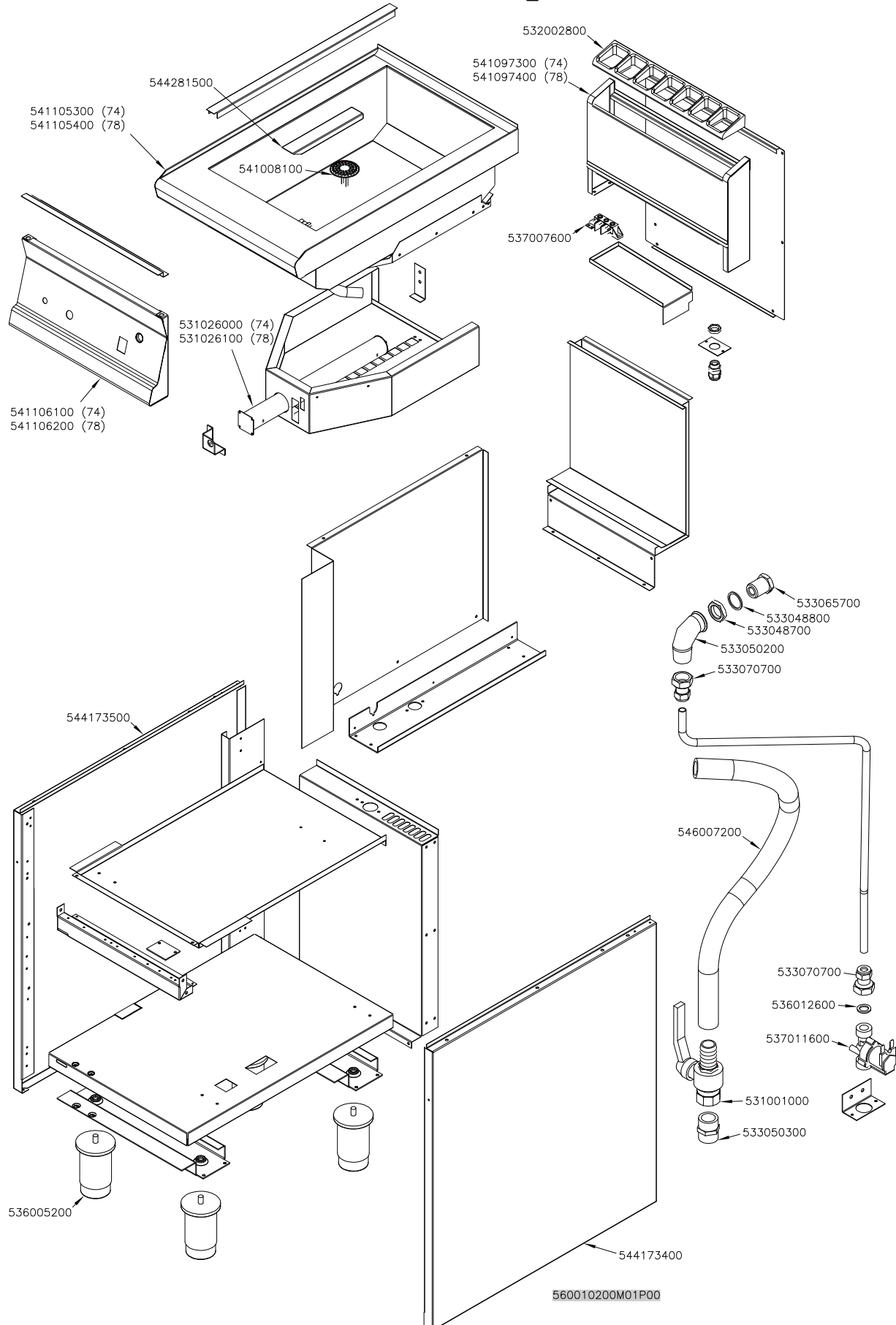


SUPERLOTUS 70≤0601

GAS / GAS / GAS / GAZ

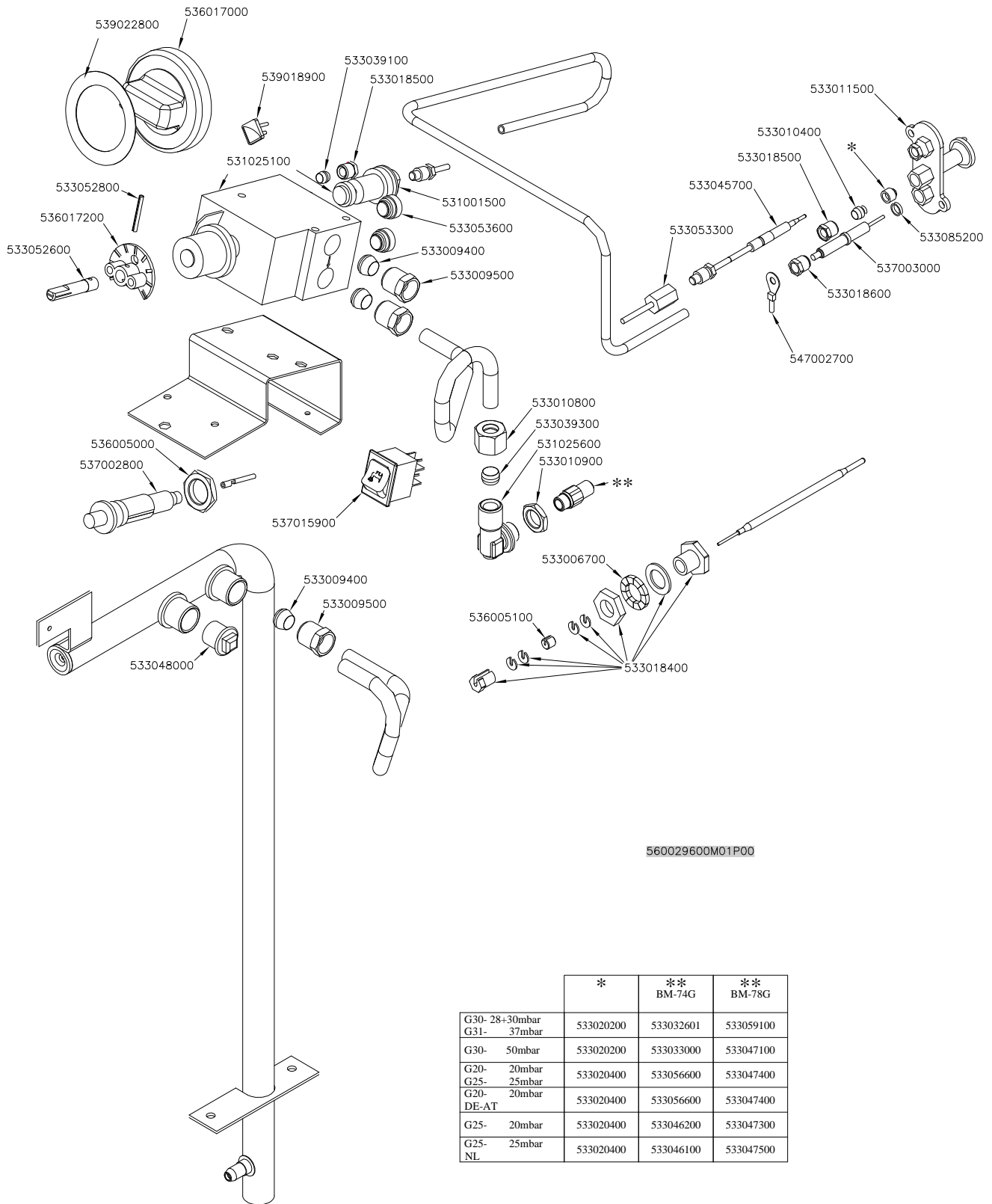
BM-74G BM-78G N°≤0412



SUPERLOTUS 70≤0601

GAS / GAS / GAS / GAZ

BM-74G BM-78G N°≤0412



	*	** BM-74G	** BM-78G
G30- 28+30mbar G31- 37mbar	533020200	533032601	533059100
G30- 50mbar	533020200	533033000	533047100
G20- 20mbar G25- 25mbar	533020400	533056600	533047400
G20- 20mbar DE-AT	533020400	533056600	533047400
G25- 20mbar	533020400	533046200	533047300
G25- 25mbar NL	533020400	533046100	533047500

Page	Pos	Code	Description
001		532002800	GRID FOR PIPE L=370 S.70
001		541097300	SPACER 74G
001		544281500	PROBE PROTECTION BM/BS-65
001		541105300	UPPER PLATE BM-74G
001		541008100	DRAIN FILTER TANK CP 700LINE
001		537007600	TERMINAL BLOCK SINGLEPHASE 40A
001		531026000	BURNER FT-4/6/8G BM-4G
001		541106100	CONTROL PANEL BM-74G
001		533065700	FITTING FOR WATER INPUT 1/2G
001		533048800	GASKET §30*§21*2 FIBRE
001		533048700	NUT 1/2G ZN
001		533050200	90° 1/2 M/F ELBOW FITTING
001		533070700	FITTING 1/2G TUBE D10 + O-RING
001		544173500	LEFT SIDE PANEL S.70
001		546007200	RUBBER TUBE §19INT.*§27EXT.*L=640
001		536012600	GASKET §12,5*§18,5*2 1/2G
001		537011600	1IN+1OUT VALVE 180°C 230V 1/2G
001		531001000	DRAIN COCK 3/4" + HANDLE
001		533050300	HEXAGONAL NIPPLE 3/4G
001		544173400	RIGHT SIDE PANEL S.70
001		536005200	INOX LEG 2" 120-180 M10
002		539022800	ADHESIVE GRADUATED DISC FOR KNOB
002		536017000	BLACK KNOB §70 PIN §8*6,5
002		539018900	INDEX FOR KNOB
002		533039100	BICONE §6
002		533018500	FITTING FOR BICONE D.6 M10*1
002		533052800	ELASTIC PEG §2,5*26
002		536017200	MATCHER REMOTE CONTROL EUROSIT
002		533052600	PIN FOR KNOB 65LINE
002		531025100	EUROSIT VALVE BM 30-100°C
002		533011500	PILOT BURNER 2 FLAMES 220
002		533053600	EUROSIT VALVE PLUG
002		533009400	BICONE 10S
002		533009500	NIPPLE FOR BICONE 10S
002		533010400	BICONE D.6
002		533045700	THERMOCOUPLE M9*1 500
002		533053300	THERMOCOUPLE EXTENSION M9*1
002		533085200	
002		537003000	PLUG M4 - LONG ELECTRODE
002		533018600	PLUG FITTING
002		547002700	HIGH-VOLTAGE CABLE L=500
002		533010800	TUBE NUT D.10 M16*1,5
002		533039300	BICONE §10
002		531025600	ELBOW 90° NOZZLE-HOLDER §10 PIPE
002		533010900	NUT M14*1 H.4
002		536005000	NUT M18 FOR PIEZOELECTRIC IGNITION
002		537002800	PIEZOELECTRIC IGNITION M18
002		537015900	BIPOLAR SWITCH
002		531001500	MAGNET FOR EUROSIT VALVE
002		536005100	GRAPHITE §07,4 GASKET
002		533006700	NOTCHED WASHER D.14

Page	Pos	Code	Description
002		533018400	THREADED FITTING
002		533048000	THREADED CAP 3/8"G
002		533020200	PILOT JETS 0160 FOR LPG §30
002		533032601	NOZZLE §85 CH12X30,0
002		533033000	NOZZLE §075 CH12X30,0
002		533020400	NOZZLE 0160 (NATURAL GAS) 51
002		533056600	NOZZLE §135 CH12*30 M-BM4
002		533046200	NOZZLE §150 CH12X30 L-BR TP
002		533046100	NOZZLE §140 CH12X30 MH-BR