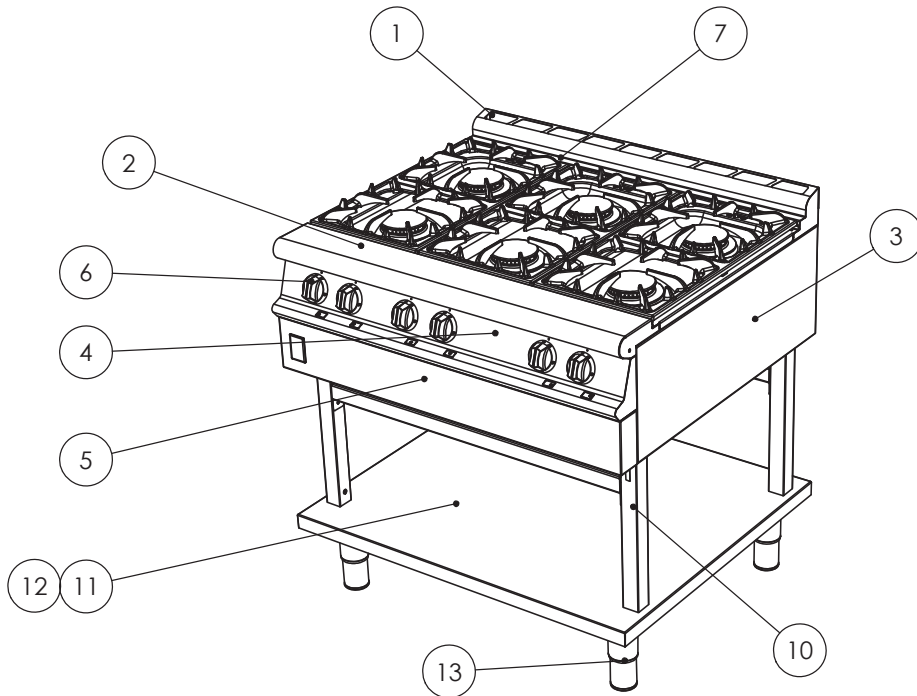
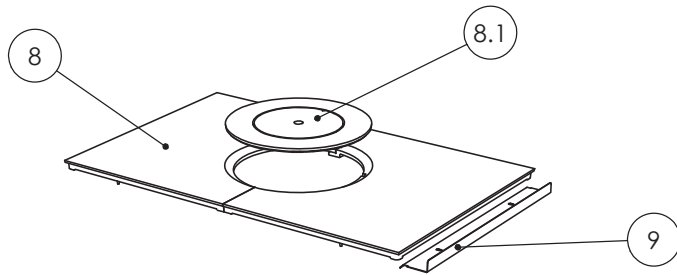


DOMINATOR PLUS

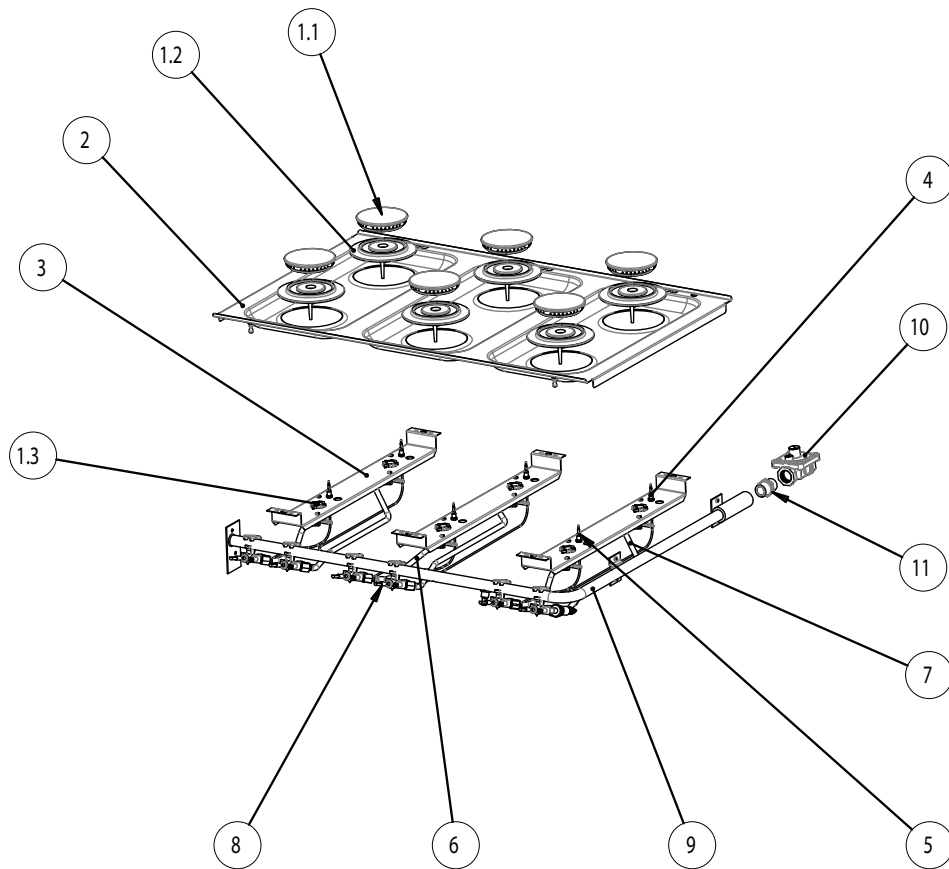


		G3121	G3127	G3124
ITEM	DESCRIPTION	SPARES No	SPARES No	SPARES No
1	REAR HOB RAIL	535290017	535290017	535330004
2	FRONT HOB RAIL	535290018	535290018	535330005
3	OUTER SIDE PANEL	535400190	535400190	535400190
4	CONTROL PANEL	535340000	535350000	535360001
5	CONTROL PANEL LOWER FACIA	535340001	535340001	535360002
6	HOB CONTROL KNOB	535290025	535310010	535290025
7	PAN SUPPORT	535290027	N/A	535290027
8	SOLID TOP CASTING COMPLETE	N/A	535400170	N/A
8.1	SOLID TOP CENTRE & RING SET	N/A	535400160	N/A
9	HOB SIDE DRIP SHED	N/A	535410018	N/A
10	LEG STAND LEG ASSEMBLY	535400202	535400202	535460002
11	BOTTOM SHELF	535400203	535400203	535460003
12	BOTTOM FRAME (NOT SHOWN)	535400204	535400204	535460004
13	ADJUSTABLE FOOT	535290028	535290028	535290028
14	REAR FIXED CASTOR (NOT SHOWN)	534103055	534103055	534103055
15	FRONT SWIVEL CASTOR (NOT SHOWN)	530964350	530964350	530964350



Issue	Alteration	Date	Product	Document Reference
A	Initial Issue	09/08/11	G3121/G3127/G3124	AA48643

DOMINATOR PLUS



ITEM	DESCRIPTION	G3101			G3101 OTC			G3121		
		SPARES No			SPARES No			SPARES No		
1	O/T BURNER ASSEMBLY COMPLETE				535290006		535290006			535290006
	O/T BURNER CAP ASSEMBLY	1.1			535290000		535290000			535290000
	O/T BURNER BASE	1.2			535290001		535290001			535290001
	O/T INJECTOR HOLDER NAT GAS & PROPANE	1.3			535290003		535290003			535290003
	O/T 1.93 NAT GAS INJECTOR	1.3.1			535290004		535290004			535290004
	O/T 1.2 PROPANE INJECTOR	1.3.2			535290005		535290005			535290005
	8mm OLIVE	1.3.3			535480027		535480027			535480027
	TUBE NUT	1.3.4			535480028		535480028			535480028
2	HOB PANEL				535400150		535400150			535400150
3	O/T BURNER SUPPORT BAR				535290002		535290002			535290002
4	O/T REAR THERMOCOUPLE				535480012		535481112			535480012
5	O/T FRONT THERMOCOUPLE				535480011		535480011			535480011
6	O/T FRONT FLEXI PIPE C/W OLIVES				535400045		535400045			535400045
7	O/T REAR FLEXI PIPE C/W OLIVES				535400055		535400055			535400055
8	O/T CONTROL VALVE NAT GAS & PROPANE				535200021		535200021			535200021
	8MM OLIVE	8.1			535480027		535480027			535480027
	TUBE NUT	8.2			535290007		535290007			535290007
	NAT GAS BYPASS SCREW (76)	8.3			535290008		535290008			535290008
	PROPANE BYPASS SCREW (51)	8.4			535290009		535290009			535290009
9	FLOAT RAIL				535290010		535300000			535300000
10	GOVERNOR				535480015		535480015			535480015
11	3/4" FITTING				535480016		535480016			535480016
	CONVERSION KIT NAT GAS TO PROPANE (PRE F551159)				535290029		535300005			535340002
	CONVERSION KIT PROPANE TO NAT GAS (PRE F551159)				535290030		535300006			535340003
	CONVERSION KIT NAT GAS TO PROPANE (POST F551159)				535290065		535300005			535340002
	CONVERSION KIT PROPANE TO NAT GAS (POST F551159)				535290066		535300006			535340003



Issue	Alteration	Date	Product	Document Reference
B	7178	04/12/2014	G3101/G3101 OTC/ G3121 hob pipework	AA48638