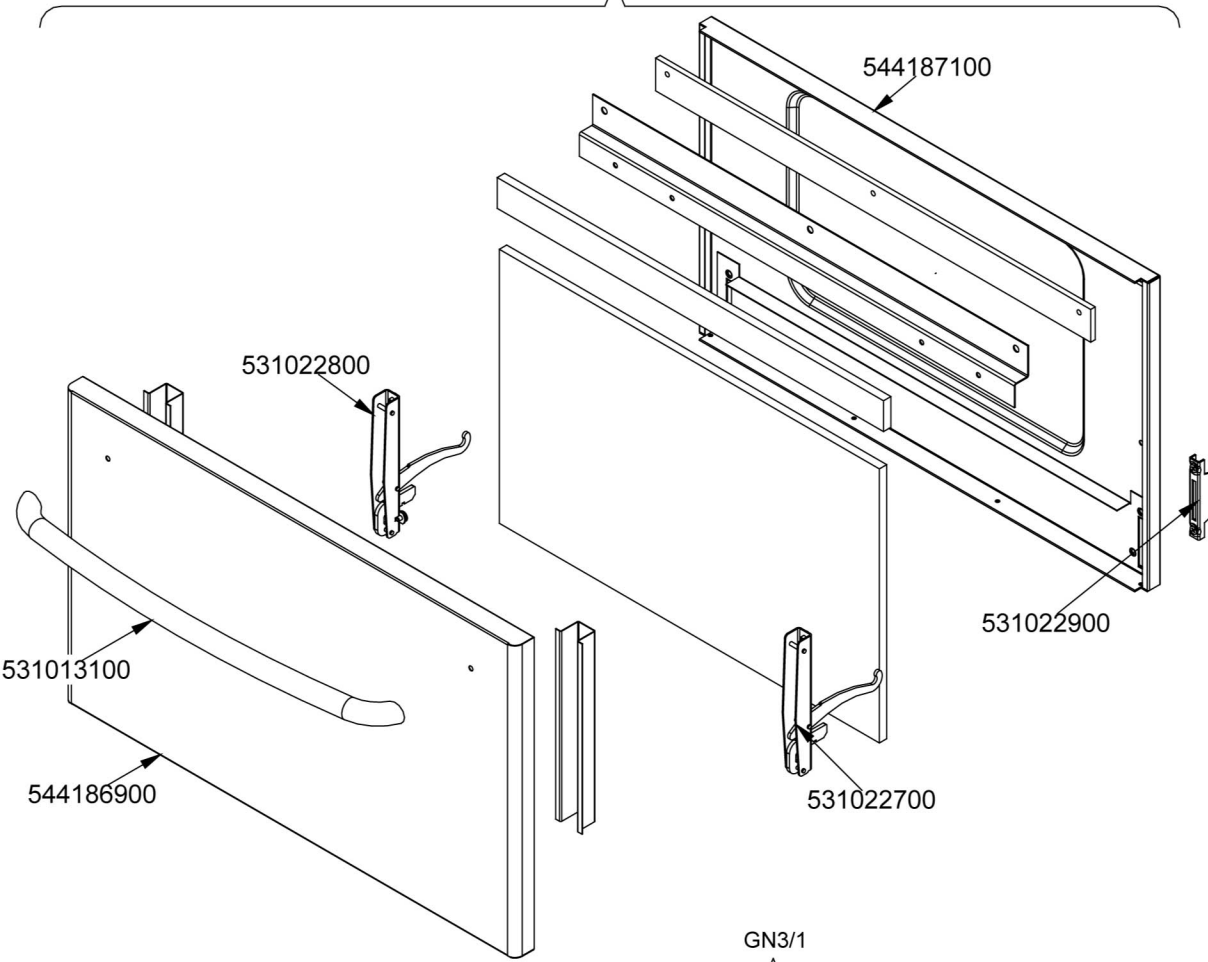
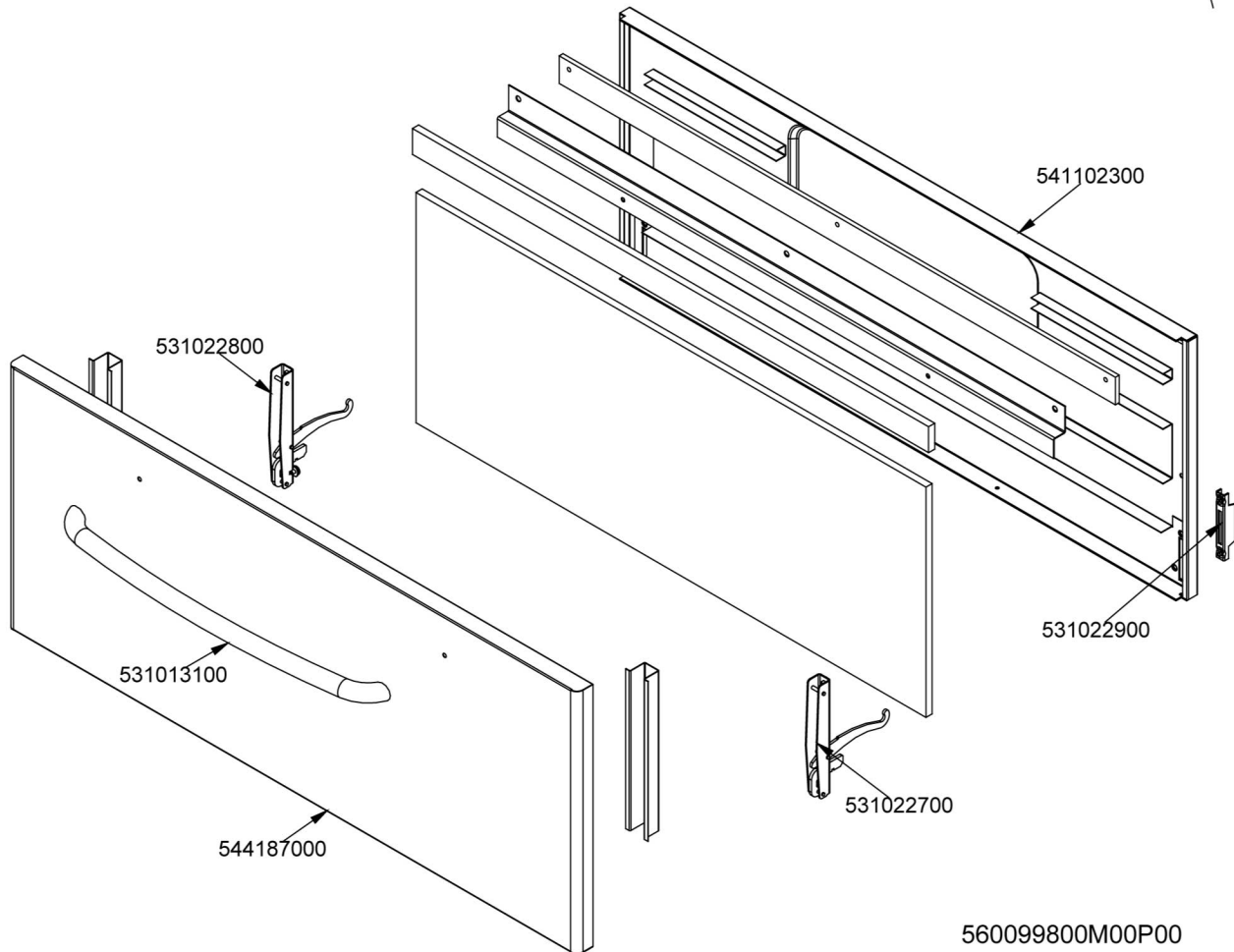


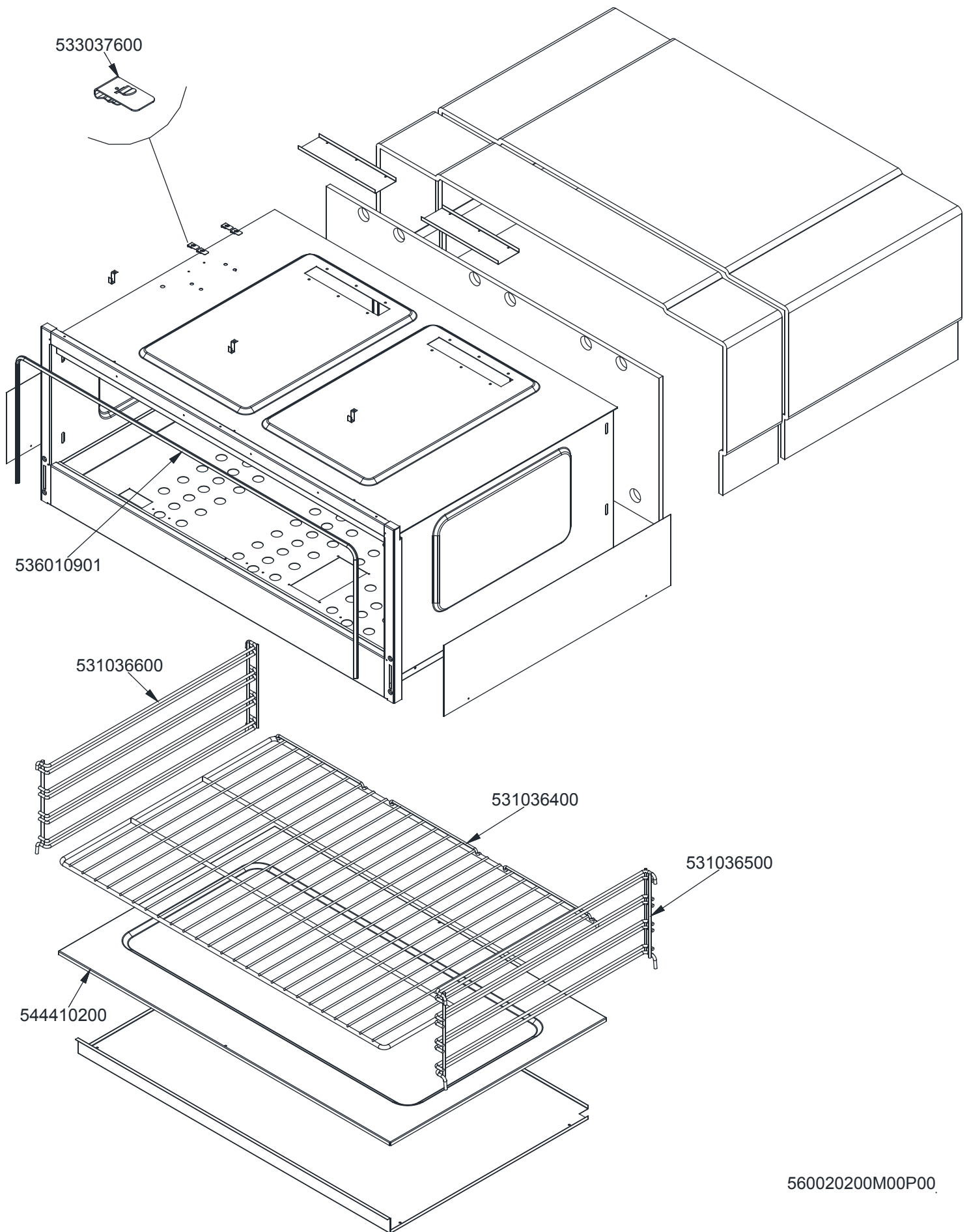
GN2/1

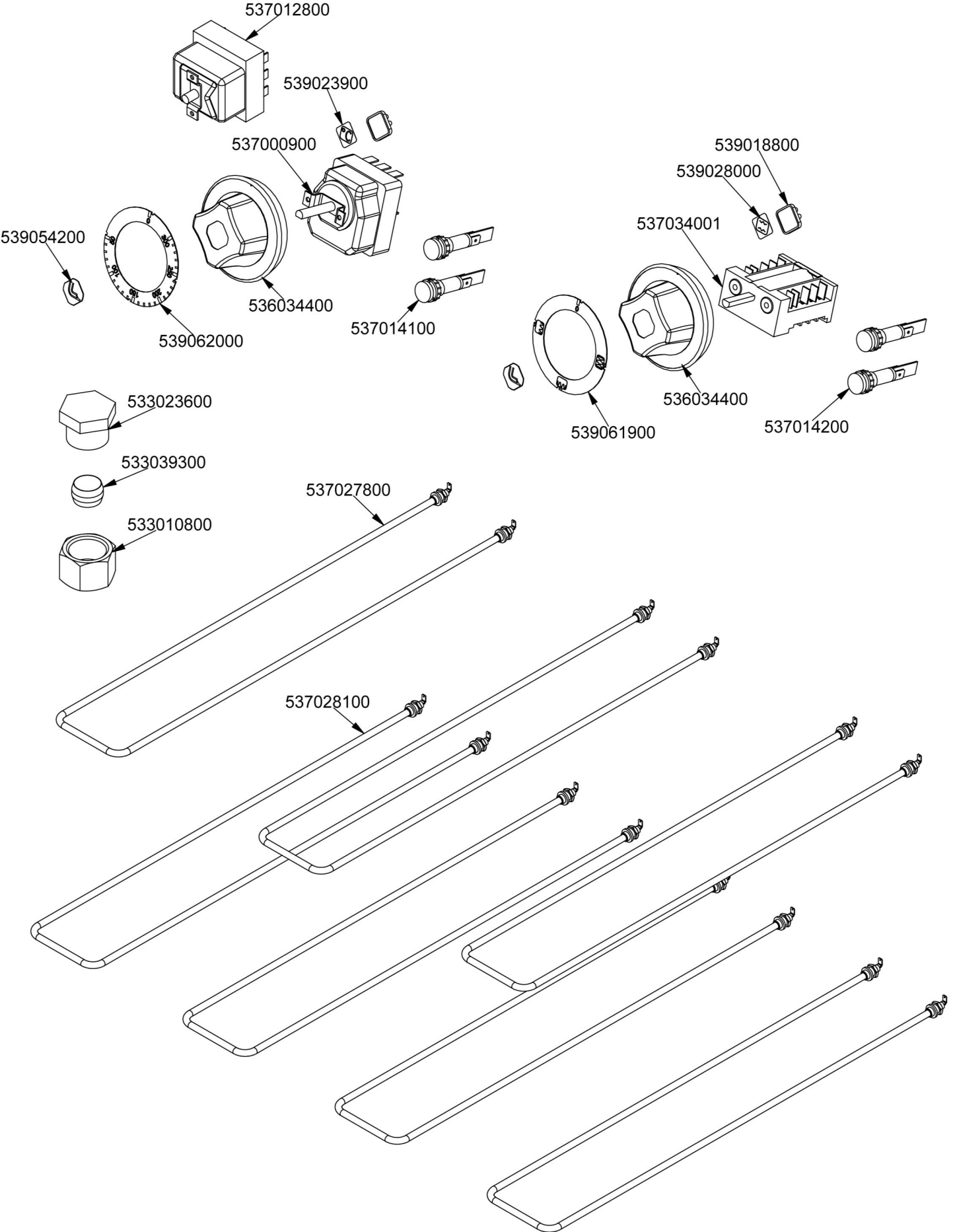


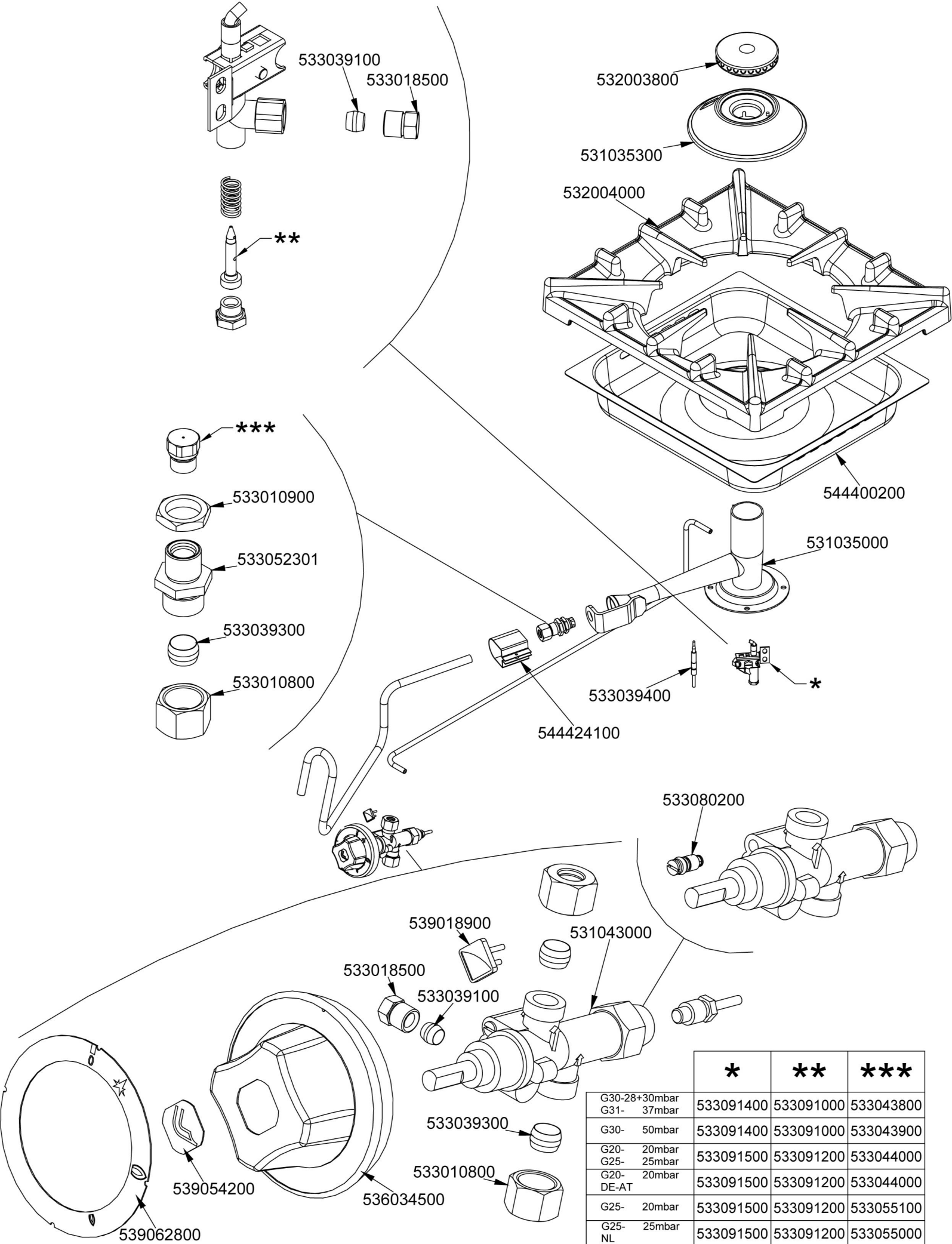
GN3/1



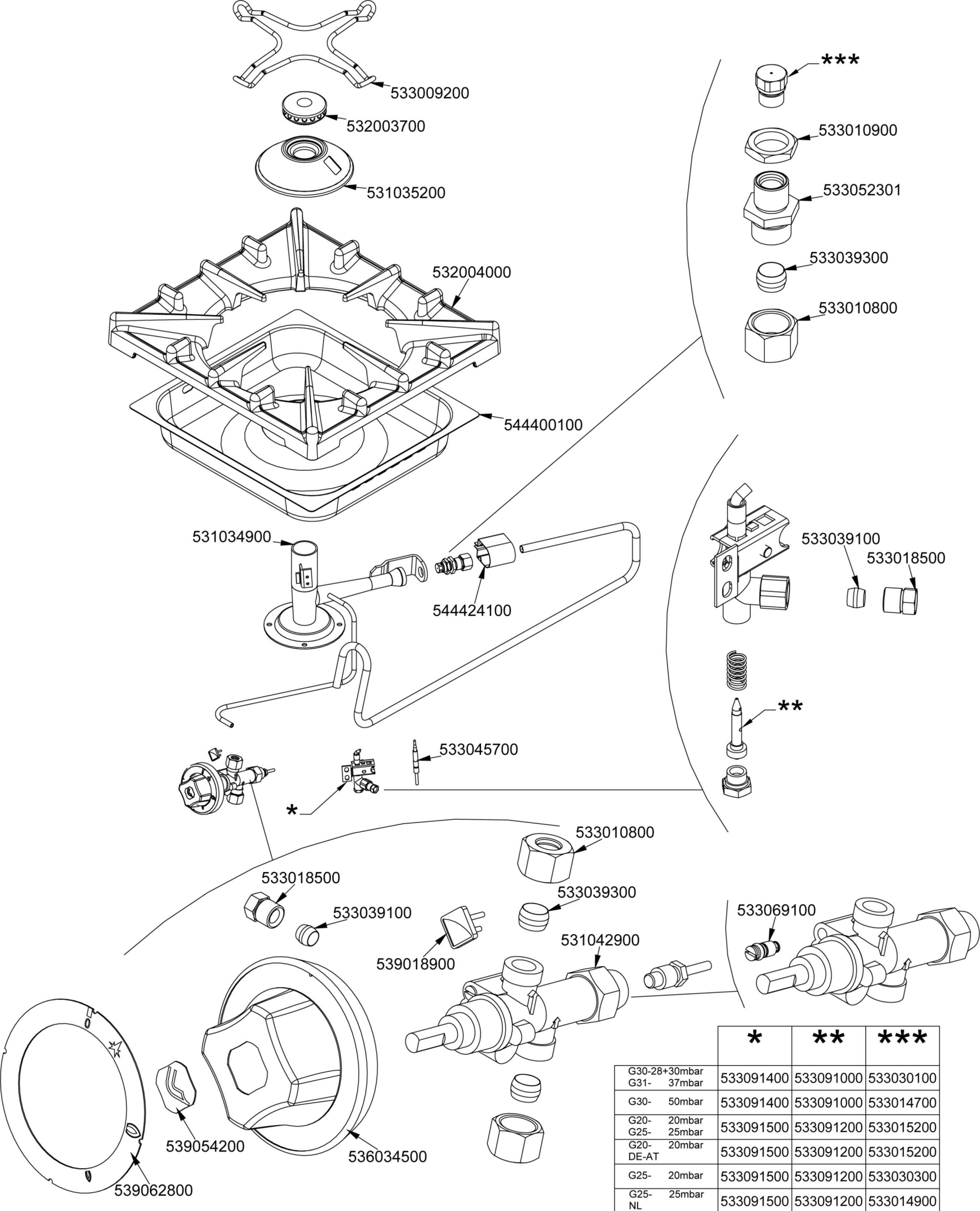
560099800M00P00







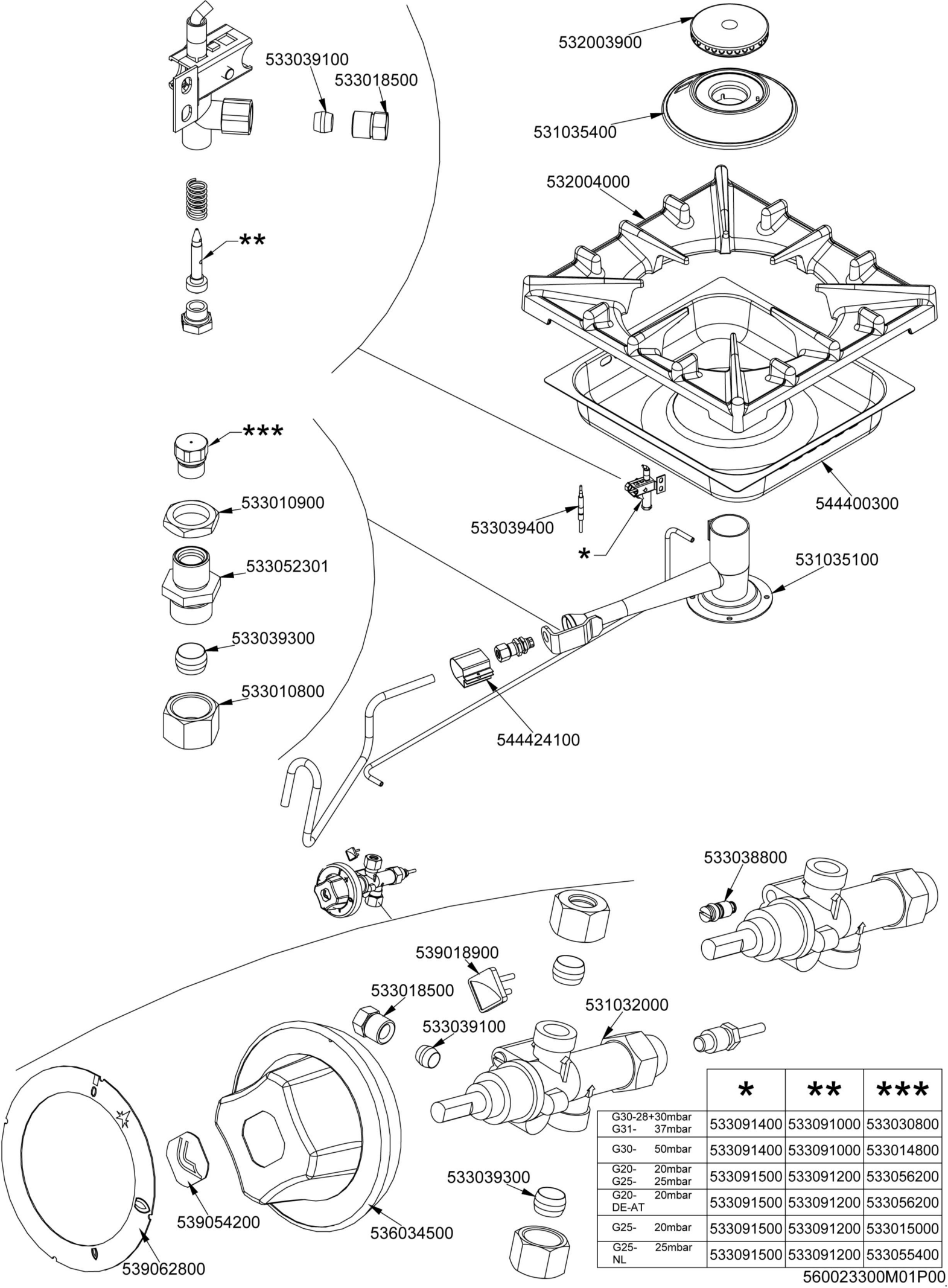
	*	**	***
G30-28+30mbar	533091400	533091000	533043800
G31- 37mbar	533091400	533091000	533043900
G30- 50mbar	533091500	533091200	533044000
G20- 20mbar	533091500	533091200	533044000
G25- 25mbar	533091500	533091200	533055100
G20- 20mbar DE-AT	533091500	533091200	533055000
G25- 20mbar	533091500	533091200	533055000
G25- 25mbar NL	533091500	533091200	533055000



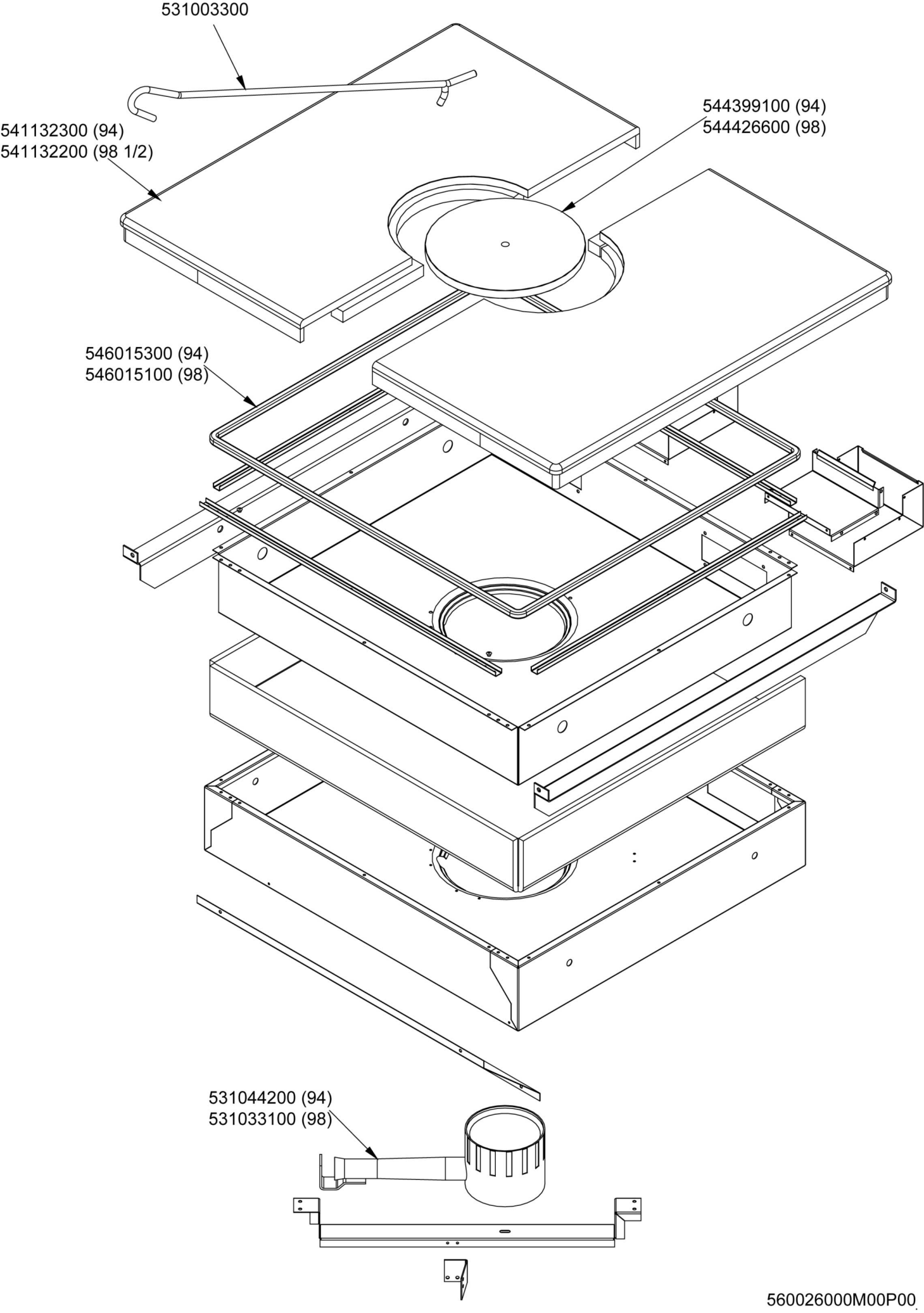
- ***
- 533010900
- 533052301
- 533039300
- 533010800

- 533039100
- 533018500
- **

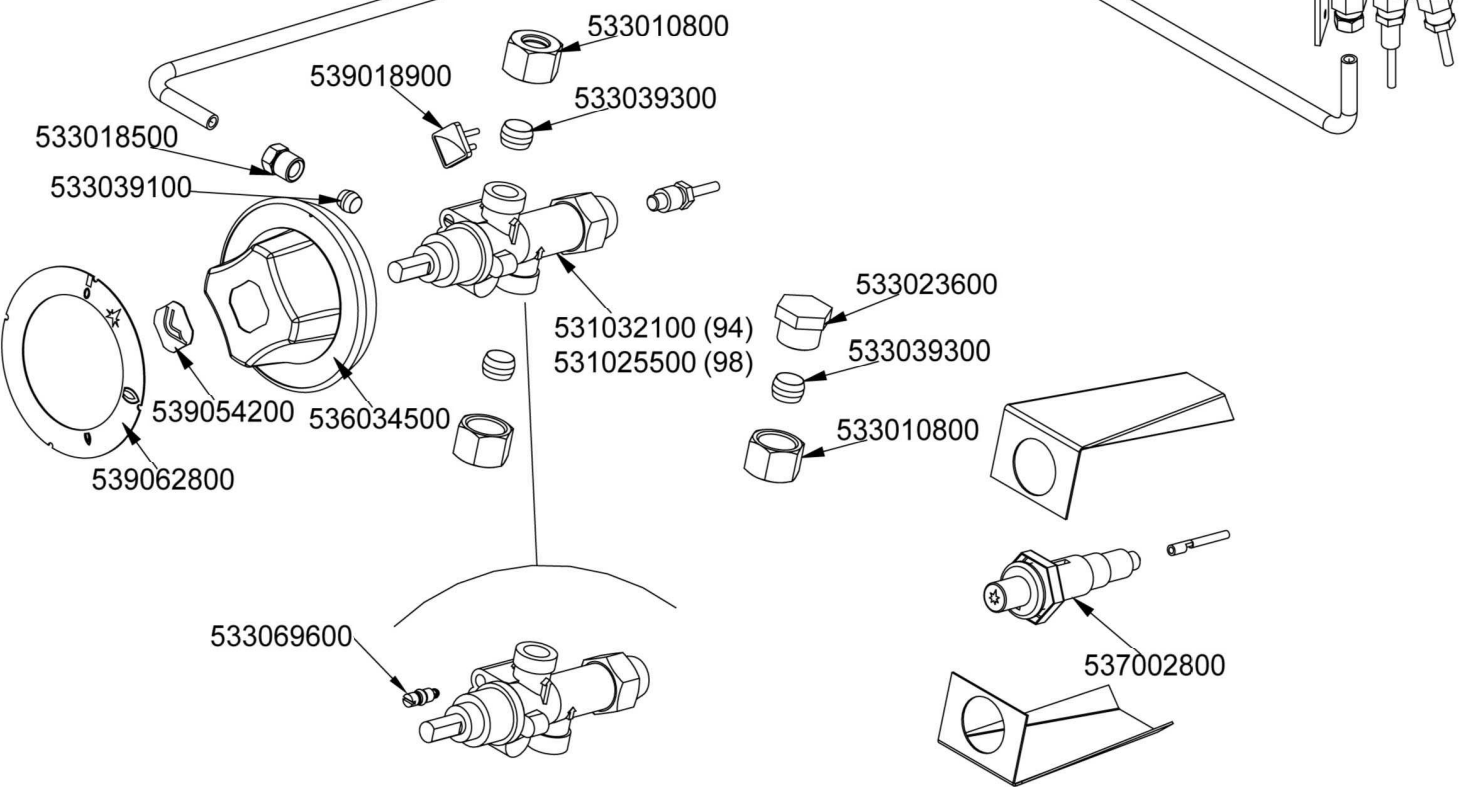
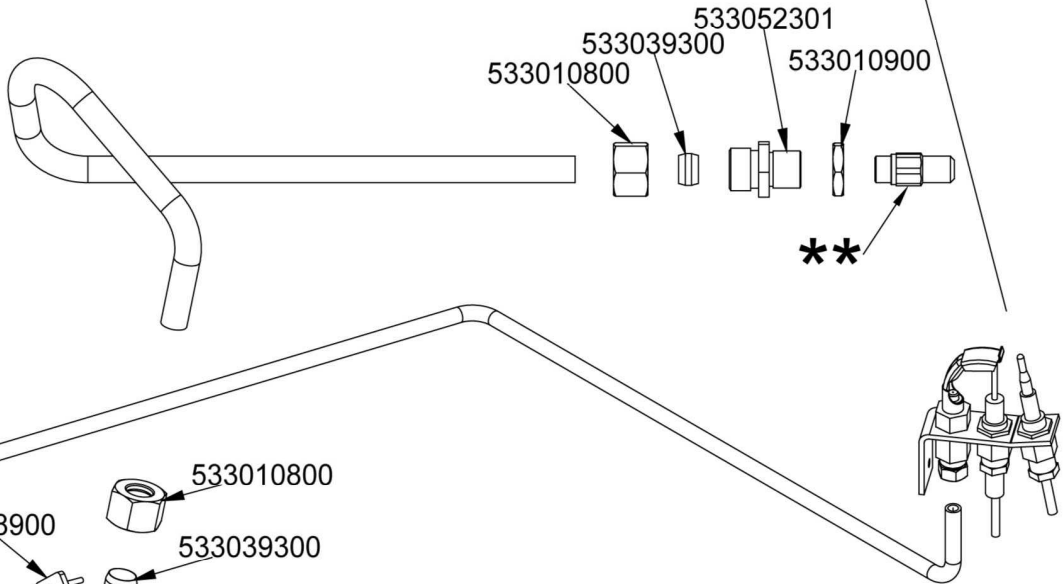
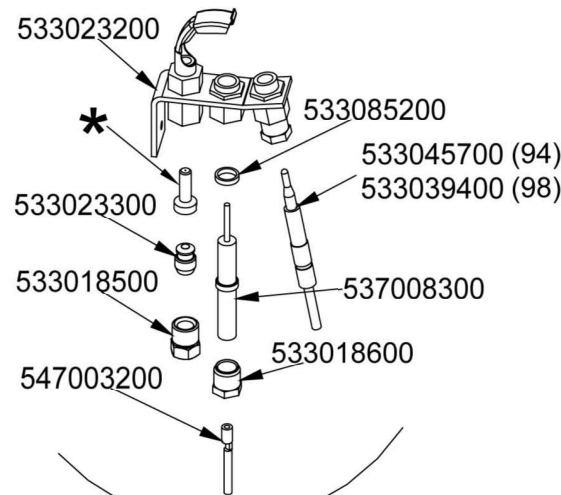
	*	**	***
G30-28+30mbar	533091400	533091000	533030100
G31- 37mbar	533091400	533091000	533014700
G30- 50mbar	533091400	533091000	533014700
G20- 20mbar	533091500	533091200	533015200
G25- 25mbar	533091500	533091200	533015200
G20- 20mbar	533091500	533091200	533015200
G25- 20mbar	533091500	533091200	533030300
G25- 25mbar	533091500	533091200	533014900



	*	**	***
G30-28+30mbar G31- 37mbar	533091400	533091000	533030800
G30- 50mbar	533091400	533091000	533014800
G20- 20mbar G25- 25mbar	533091500	533091200	533056200
G20- 20mbar DE-AT	533091500	533091200	533056200
G25- 20mbar	533091500	533091200	533015000
G25- 25mbar NL	533091500	533091200	533055400



	*	**	**
		TP-94	TP-98
G30-28+30mbar G31- 37mbar	533020500	533057700	533019600
G30- 50mbar	533020500	533057600	533046200
G20- 20mbar G25- 25mbar	533020600	533047400	533057500
G20- DE-AT	533020600	533047400	533057500
G25- 20mbar	533020600	533047300	533032801
G25- NL	533020600	533047500	533032001
G20- 25mbar	533020600	533046400	



560025900M01P00

Page	Pos	Code	Description
001		532004100	FLUE GRID L=370 90LINE (RAF
001		541129800	UPPER PLATE TP4-912G
001		544407200	RIGHT SIDE PANEL RANGE 70 LINE
001		537027400	TERMINAL BLOCK THREEPHASE 40A
001		541147600	CONTROL PANEL TPF4-912GE/GEV
001		544407100	RIGHT SIDE PANEL RANGE 90 LINE
001		536005200	INOX LEG 2" 120-180 M10
002		544187100	OVEN INNER DOOR GN 2/1 70/90LINE
002		531022800	LEFT OVEN DOOR HINGE S.70
002		531013100	OVEN DOOR HANDLE OF 70/90-LINE
002		544186900	OVEN DOOR GN 2/1 70/90LINES
002		531022700	RIGHT OVEN DOOR HINGE 70LINE
002		531022900	HINGE DOOR WHEEL HOLDER S.70
002		541102300	GAS OVEN INNER DOOR GN 3/1 S.70
002		544187000	OVEN DOOR GN 3/1 S.70
003		533037600	LOCK SPRING FOR BULB
003		536010901	GAS OVEN GASKET GN 3/1 (1668
003		531036600	LHD RACK HOLDER FOR OVEN S.90
003		531036400	OVEN GRID GN 3/1 FOR 90 LINE
003		531036500	RHD RACK HOLDER FOR OVEN S.90
003		544410200	90 ELECTRICAL OVEN BOTTOM GN3/1
004		537012800	SAFETY THERMOSTAT 420°C THREEPHASE
004		539023900	SIGN PLATE FOR OVEN TEMPERATURE
004		537000900	THERMOSTAT 063-320°C THREEPHASE
004		539054200	STAMP O20,5 CR."L" LOTUS R.
004		537034001	COMMUTATOR 4 POS.3PHASE S.42 16A
004		539028000	SELECTOR SIGN PLATE FOR OVEN
004		539018800	BLANK INDEX FOR KNOB
004		537014200	GREEN WARNING LIGHT 250V
004		536034400	KNOB §77 4P. §06*4,6 C/M
004		539061900	ADESIVE DISK FOR SWITCH OVEN S70
004		537014100	WHITE WARNING LIGHT 250V
004		539062000	ADESIVE DISK THERMOSTAT OVEN S70
004		533023600	TAP PLUG §10 M16*1, 5CH19
004		533039300	BICONE §10
004		533010800	TUBE NUT D.10 M16*1,5
004		537027800	OVENUPPER HEATING EL. W800 V230 90L
004		537028100	OVEN LOWER HEATING EL.W700 V230 90L
005		533039100	BICONE §6
005		533018500	FITTING FOR BICONE D.6 M10*1
005		532003800	BURNER COVER RING §082
005		531035300	MEDIUM BURNER BODY 90 LINE
005		532004000	1 FLAME GRILL 396X366 (90
005		544400200	BURNER DRIP PAN 2/3
005		533010900	NUT M14*1 H.4
005		531035000	MEDIUM BURNER VENTURI 90 LINE
005		533052301	JOINT FOR NOZZLE HOLDER
005		533039300	BICONE §10
005		533010800	TUBE NUT D.10 M16*1,5
005		533039400	THERMOCOUPLE M9*1*850
005		544424100	AIR ADJUSTMENT BUSHING*BURNER PC90

Page	Pos	Code	Description
005		533080200	BY PASS COCK §65 20S-21S
005		539018900	INDEX FOR KNOB W/RED SIGN
005		531043000	GAS COCK 21S P.V. BY-PASS §065
005		539054200	STAMP Ø20,5 CR."L" LOTUS R.
005		536034500	KNOB §77 4P. §08*6,5
005		539062800	RED STICKING DISK 72
005		533091400	P.NOZZLE S100 UG.§20 PC90 LPG-FLUS
005		533091500	PILOT NOZZLE S.100 §30 PC90 NAT.GAS
005		533091000	NOZZLE 0.100 §20
005		533091200	PILOT NOZZLE 0100 Ø35 PIL.PC
005		533043800	NOZZLE §130 CH12*14 G-CW4
005		533043900	NOZZLE §115 CH12*14 F-CW4
005		533044000	NOZZLE §195 CH12*14 M-CW4
005		533055100	NOZZLE §215 CH12*14 L-CW4
005		533055000	NOZZLE §205 CH12*14 G25 CW4
006		533009200	REDUCTION GRATE FOR 65-70LINES+FO
006		532003700	BURNER COVER RING §060
006		531035200	SMALL BURNER BODY 90 LINE
006		533010900	NUT M14*1 H.4
006		533052301	JOINT FOR NOZZLE HOLDER
006		533039300	BICONE §10
006		533010800	TUBE NUT D.10 M16*1,5
006		532004000	1 FLAME GRILL 396X366 (90
006		544400100	BURNER DRIP PAN 2/3
006		531034900	SMALL BURNER VENTURI 90 LINE
006		544424100	AIR ADJUSTMENT BUSHING*BURNER PC90
006		533039100	BICONE §6
006		533018500	FITTING FOR BICONE D.6 M10*1
006		533045700	THERMOCOUPLE M9*1 500
006		539018900	INDEX FOR KNOB W/RED SIGN
006		531042900	B.PASS §60 SAFETY COCK PC/CF 90
006		533069100	BY PASS COCK §60 20S
006		539062800	RED STICKING DISK 72
006		539054200	STAMP Ø20,5 CR."L" LOTUS R.
006		536034500	KNOB §77 4P. §08*6,5
006		533091400	P.NOZZLE S100 UG.§20 PC90 LPG-FLUS
006		533091500	PILOT NOZZLE S.100 §30 PC90 NAT.GAS
006		533091000	NOZZLE 0.100 §20
006		533091200	PILOT NOZZLE 0100 Ø35 PIL.PC
006		533030100	NOZZLE §95 CH12*14 G-FP
006		533014700	NOZZLE §85 CH12*14 F-FQ5
006		533015200	NOZZLE §145 CH12*14 F-FP/CP6
006		533030300	NOZZLE §160 CH12*14 M-FPG
006		533014900	NOZZLE §150 CH12*14 F-FQ5 L-FQ6
007		533039100	BICONE §6
007		533018500	FITTING FOR BICONE D.6 M10*1
007		532003900	BURNER COVER RING §100
007		531035400	BIG BURNER BODY 90 LINE
007		532004000	1 FLAME GRILL 396X366 (90
007		533010900	NUT M14*1 H.4
007		533039400	THERMOCOUPLE M9*1*850

Page	Pos	Code	Description
007		544400300	BURNER DRIP PAN 2/3
007		533052301	JOINT FOR NOZZLE HOLDER
007		531035100	BIG BURNER VENTURI 90 LINE
007		533039300	BICONE §10
007		533010800	TUBE NUT D.10 M16*1,5
007		544424100	AIR ADJUSTMENT BUSHING*BURNER PC90
007		533038800	75 BY-PASS FOR 21S TAP
007		531032000	GAS COCK P.V.BY-PASS Ø075
007		539018900	INDEX FOR KNOB W/RED SIGN
007		536034500	KNOB §77 4P. §08*6,5
007		539054200	STAMP Ø20,5 CR."L" LOTUS R.
007		539062800	RED STICKING DISK 72
007		533091400	P.NOZZLE S100 UG.§20 PC90 LPG-FLUS
007		533091500	PILOT NOZZLE S.100 §30 PC90 NAT.GAS
007		533091000	NOZZLE 0.100 §20
007		533091200	PILOT NOZZLE 0100 Ø35 PIL.PC
007		533030800	NOZZLE §155 CH12X14 M-CW
007		533014800	NOZZLE §135 CH12*14,0
007		533056200	NOZZLE §230 CH12*14
007		533015000	NOZZLE D.I 260 G110 (TOWN GAS
007		533055400	NOZZLE §245 CH12*14
008		531003300	TP-PLATE LIFTING HOOK
008		541132300	PLATE TP-94G
008		541132200	PLATE TP-98G (1/2
008		544399100	PLATE RING FOR TP-74G TP-94G
008		544426600	PLATE RING FOR TP-98G
008		546015300	SQUARE BRAID 12*12*L=1821
008		546015100	SQUARE BRAID OF INSULATING MATERIAL
008		531044200	CIRCULAR BURNER TP D.066
008		531033100	BURNER TP..-78G
009		533023200	TARGET PILOT + NIPPLE TC BRAC.90°
009		533085200	SPACER FOR PILOT PLUG
009		533045700	THERMOCOUPLE M9*1 500
009		533039400	THERMOCOUPLE M9*1*850
009		533023300	BICONE §6 ("TARGET" PILOT
009		537008300	ROUND PLUG §2,4- LONG ELECTRODE
009		533018500	FITTING FOR BICONE D.6 M10*1
009		547003200	HIGH-VOLTAGE CABLE TUBE.§2 L=500
009		533018600	PLUG FITTING
009		533010900	NUT M14*1 H.4
009		533052301	JOINT FOR NOZZLE HOLDER
009		533039300	BICONE §10
009		533010800	TUBE NUT D.10 M16*1,5
009		539018900	INDEX FOR KNOB W/RED SIGN
009		533039100	BICONE §6
009		539062800	RED STICKING DISK 72
009		539054200	STAMP O20,5 CR."L" LOTUS R.
009		536034500	KNOB §77 4P. §08*6,5
009		531032100	GAS COCK 21S P.V.BY-PASS O100
009		531025500	GAS COCK 21S P.V.BY-PASS O130
009		533023600	TAP PLUG §10 M16*1, 5CH19

Page	Pos	Code	Description
009		533069600	BY PASS COCK §130 20S-21S
009		537002800	PIEZOELECTRIC IGNITION M18 WITH NUT
009		533020500	NOZZLE 0.140 §19
009		533020600	NOZZLE 0.140 §27
009		533057700	NOZZLE §130A CH12*30 F-BRF74
009		533057600	NOZZLE §115A CH12*30 G-BRF74
009		533047400	NOZZLE §195 CH12*30 M-BM8
009		533047300	NOZZLE §215 CH12*30 L-BM8
009		533047500	NOZZLE §205 CH12*30 ML-BM-8G
009		533046400	NOZZLE §185 CH12*30 G-CPM
009		533019600	NOZZLE §165 CH12*30 MH-FT5 H-FT6
009		533046200	NOZZLE §150 CH12X30 L-BR TP
009		533057500	NOZZLE §260 CH12X30
009		533032801	NOZZLE §280 CH12*30 M-CPM
009		533032001	NOZZLE §270 CH12*30 MH-CPM