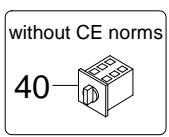
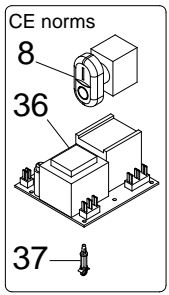
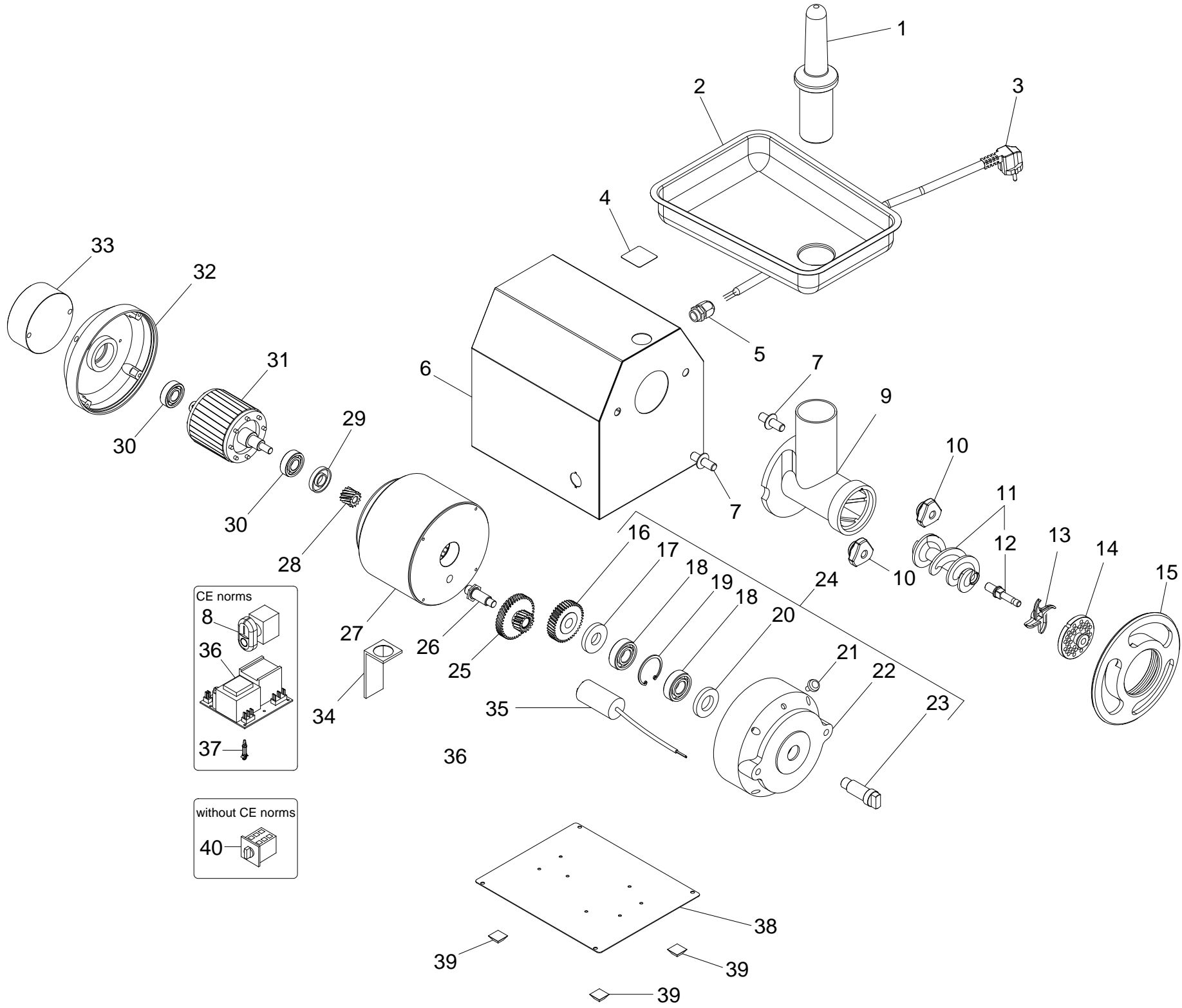


Vorbereitung Fleischwölfe

Artikel-Nr. 422006 (22/CQ0 400V)

Explosionszeichnung / Ersatzteile

Bitte bei Ersatzteilbestellung immer Seriennummer mit angeben!



TR22CQ0

Pos. Ref.	Codice Code		Caratteristiche Features	Descrizione Description	
1	SL0134	●		Pestello	Pusher
2	SL0135			Tramoggia	Hopper
3	SL1841		3Ph+Gnd	Cavo elettrico	Electric cable
3	SL1671		1Ph+N+Gnd	Cavo elettrico	Electric cable
4	SL3104			Etichetta	Label
5	SL1668		PG11	Pressacavo	Cable clamp
6	SL3041			Carcassa	Housing
7	SL3102			Perno	Pivot
8	SL0891	●	Start-stop	Pulsante	Push button
9	SL3986		Stainless-steel	Bocchettone	Sleeve
9	SL2523R0		Food stuff treated cast-iron (without CE norms)	Bocchettone	Sleeve
9	SL3987		Unger	Bocchettone	Sleeve
10	SL2924	●		Pomello	Knob
11	SA5500	●	Stainless-steel	Elica	Screw shaft
11	SA5400		Food stuff treated cast-iron (without CE norms)	Elica	Screw shaft
11	SA5700		Unger	Elica	Screw shaft
12	SL0823			Perno	Pivot
12	SL0824		Unger	Perno	Pivot
13	///////	●		Coltello	Cutter
14	///////	●		Piastra	Plate
15	SL0197		Stainless-steel	Volantino	Handwheel
15	SL3328R0		Aluminium (without CE norms)	Volantino	Handwheel
16	SL0130			Ingranaggio	Gear
17	SL2593		ø20xø47x8	Paraolio	Oil seal
18	SL3125		6204 2RS	Cuscinetto	Bearing
19	SL0082		ø47	Seeger	Seeger
20	SL2591		ø25xø47x8	Paraolio	Oil seal
21	SL2709	●		Tappo	Tap
22	SL3112			Calotta	Calotte
23	SL2528			Albero	Shaft
24	SA1320		Assembly	Calotta	Calotte
25	SL0125			Ingranaggio	Gear
26	SL2589			Albero	Shaft
27	SA1016		400V/3Ph/50Hz	Statore	Stator
27	SA1017		230V/1Ph/50Hz	Statore	Stator
28	SL0128			Ingranaggio	Gear
29	SL0127		ø17xø40x8	Paraolio	Oil seal
30	SL0131		6203 2RS	Cuscinetto	Bearing
31	SL2600		400V/3Ph/50Hz	Rotore	Rotor
31	SL2601		230V/1Ph/50Hz	Rotore	Rotor
32	SL0186			Calotta	Calotte
33	SL3082			Distanziale	Spacer
34	SL0176			Staffa	Bracket
35	SL0931		20µF	Condensatore	Condenser
36	SL0883	●		Scheda elettronica	Electronic card
37	SL3020			Distanziale	Spacer
38	SL3049			Fondo	Bottom
39	3178340			Piedino	Foot
40	SL0054			Interruttore	Switch

(*) : fuori produzione / out of production

● : ricambio consigliato / spare part suggested