

CM855 Parts List

Table of Contents

Cabinet

Air Cooled Refrigeration

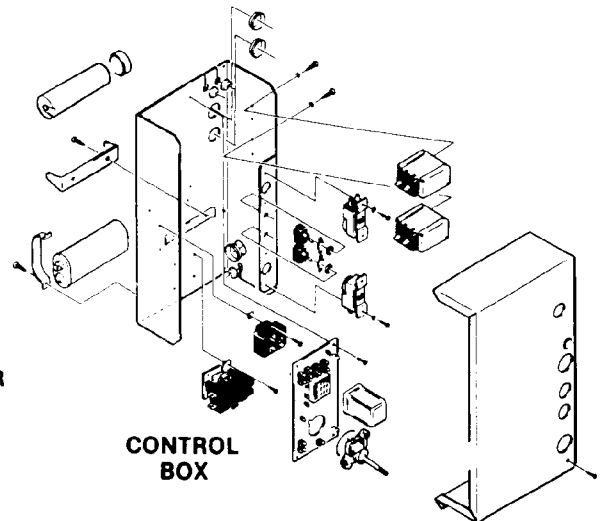
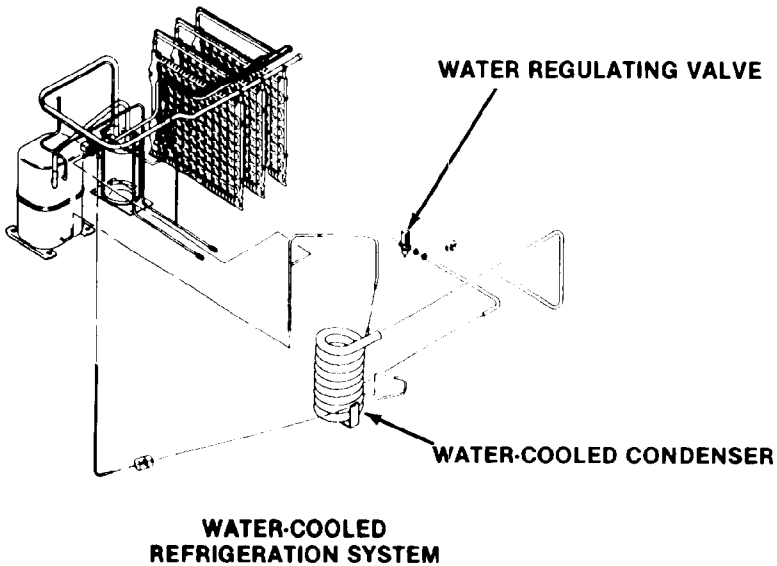
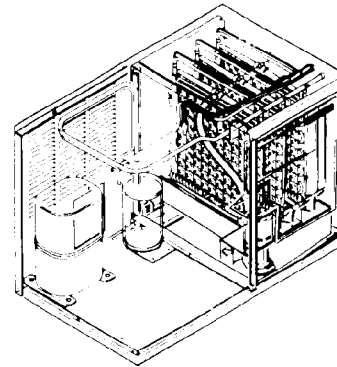
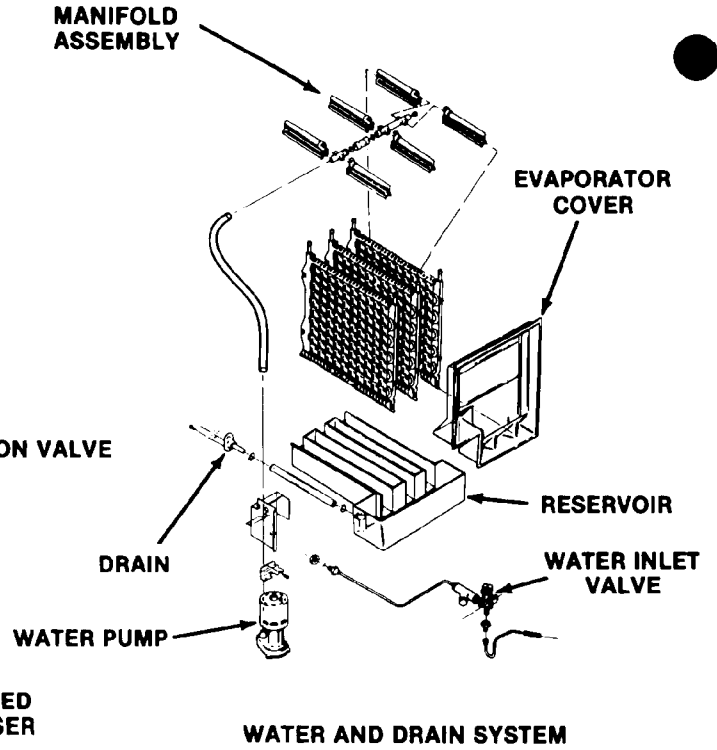
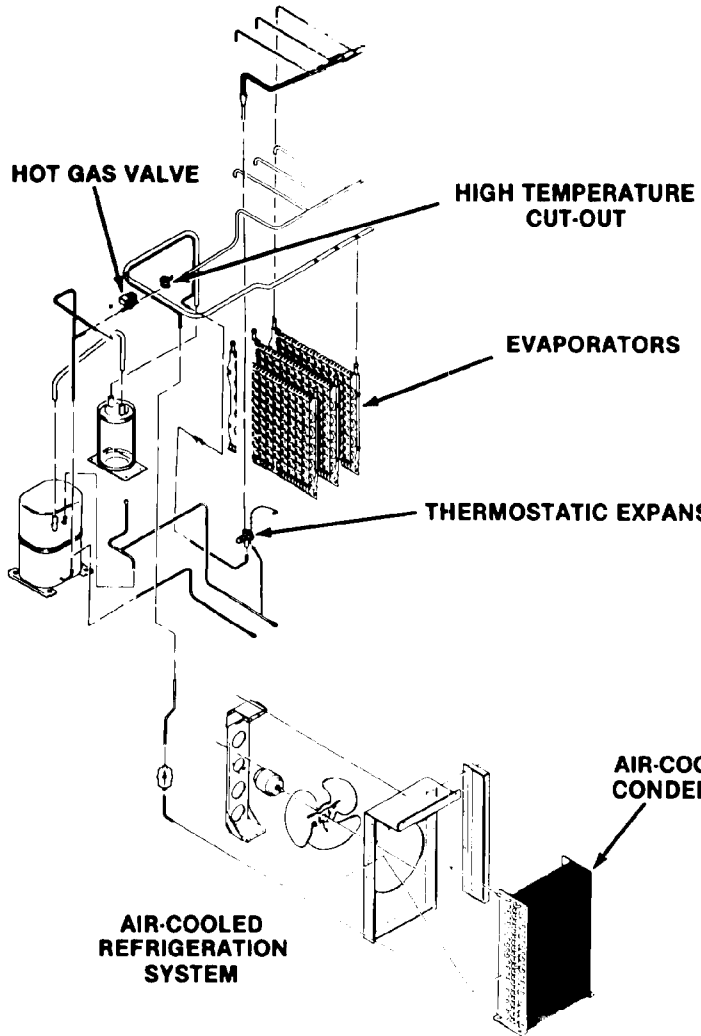
Water Cooled Refrigeration

Water System

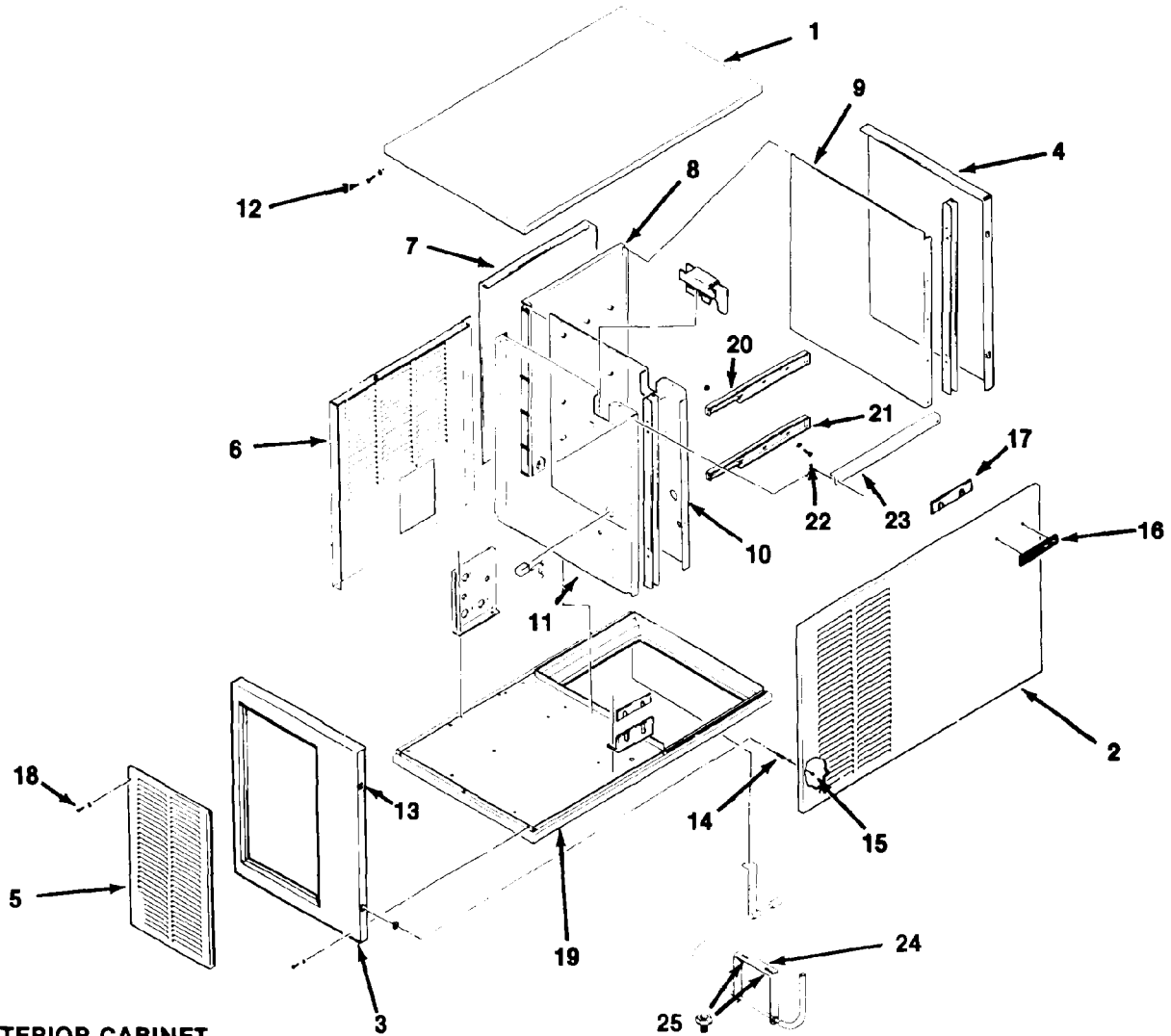
Control Box

Wiring Diagrams

CM855 THE PARTS ILLUSTRATIONS AND PARTS LISTS



CM855 THE PARTS ILLUSTRATIONS AND PARTS LISTS



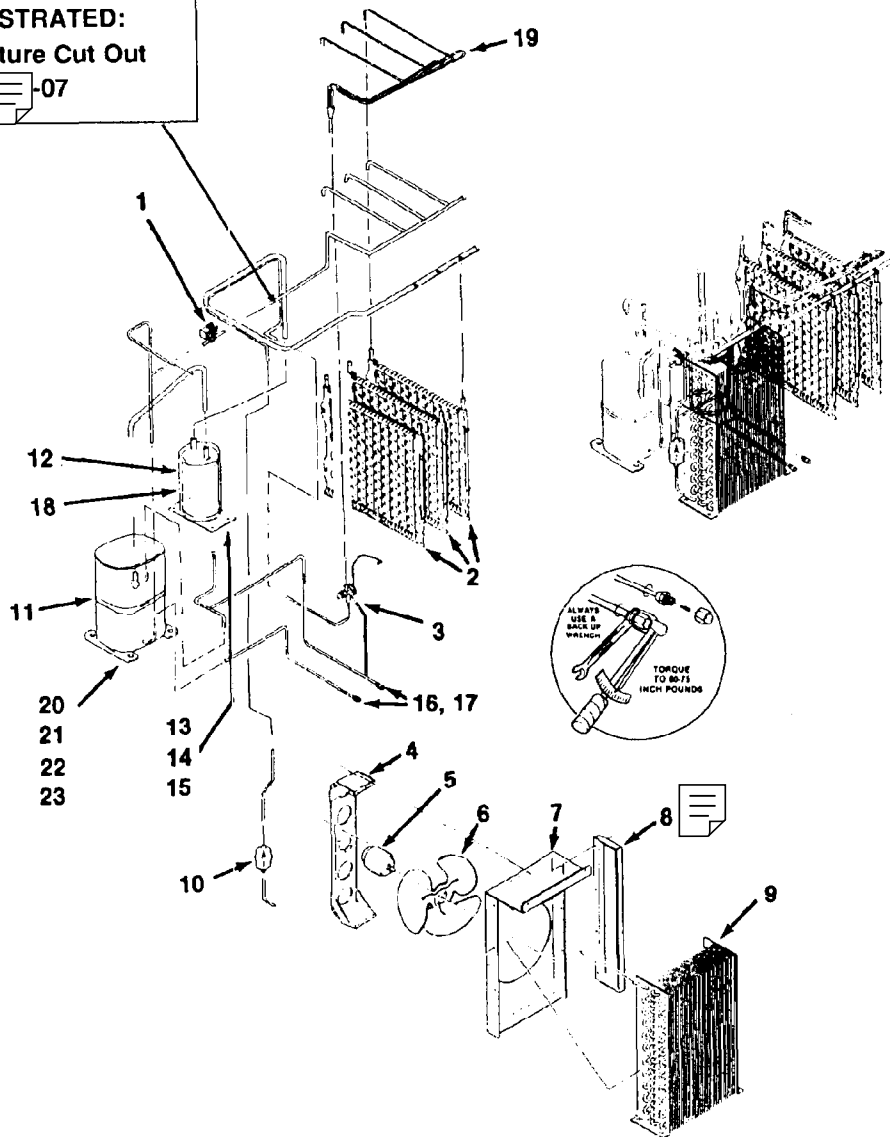
EXTERIOR CABINET
INTERIOR PANELS

ITEM NUMBER	PART NUMBER	DESCRIPTION	ITEM NUMBER	PART NUMBER	DESCRIPTION
1	A32461-001	Top Panel Enamel	13	02-0836-00	Cabinet Catch
	A32461-002	Top Panel S.S.	14	15-0411-00	Strike - Ft. Panel
2	A32457-001	Front Panel Enamel	15	03-1406-04	Nut - Strike
	A32457-002	Front Panel S.S.	16	15-0711-01	Emblem
3	A32435-001	End Panel L. Enamel	17	03-0721-00	Speed Clip
	A32435-002	End Panel L. S.S.	18	03-1404-12	Screw
4	A32456-001	End Panel R. Enamel	19	A32434-001	Base
	A32456-002	End Panel R. S.S.	20	A32587-001	Upper Brace - Evaporator
5	A32161-001	Service Panel Enamel			Lower Brace - Evaporator
	A32161-002	Service Panel S.S.	21	A32467-001	Screw - Lower Brace
6	A32448-001	Back Panel L.	22	A32464-001	Upper Brace - Cabinet
7	A32452-001	Back Panel R.	23	A32469-001	Bin Thermostat Bracket
8	02-2888-01	Back Liner	24	A32511-001	Bin Thermostat Thumb Nut
9	02-2887-01	Right Liner			
10	02-2885-01	Left Liner			
11	A32454-001	Retainer	25	03-0727-05	Bin Thermostat Thumb Nut
12	03-1531-01	Screw - Top Panel			

CM855 SERVICE PARTS

Air Cooled Refrigeration

NOT ILLUSTRATED:
Hi Temperature Cut Out
12-2-07

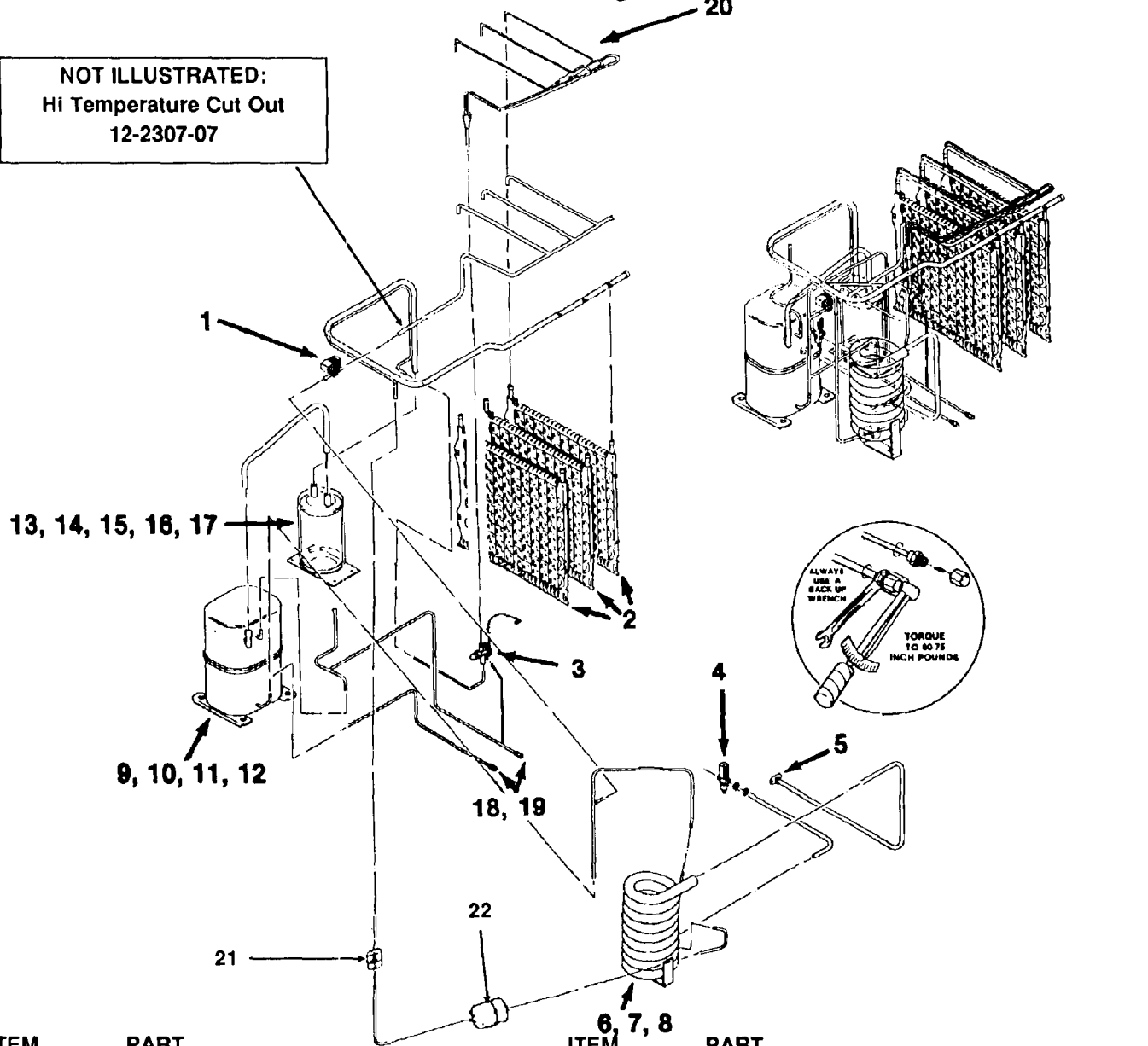


ITEM NUMBER	PART NUMBER	DESCRIPTION	ITEM NUMBER	PART NUMBER	DESCRIPTION
1	12-2320-02	Hot Gas Solenoid	12	16-0793-01	Accumulator
2	A30296-020	Evaporator Plate	13	03-1406-12	Nut
3	16-0758-04	Thermo Expansion Valve	14	03-1407-09	Washer
4	A32510-001	Fan Motor Bracket	15	03-1410-05	Lockwasher
5	18-5105-02	Fan Motor	16	16-0560-00	Valve core
6	18-3732-01	Fan Blade	17	16-0563-00	Valve core cap
7	A32460-001	Shroud	18	02-2893-01	Accumulator Insulation Half
8	no number	Bracket	19	A32472-001	Evaporator Inlet Assy
9	18-6600-01	Condenser	20	18-2300-26	Compressor Sleeve
10	02-2426-02	Drier	21	18-6800-01	Grommet
11	18-6700-01	"A" model -32 Compressor (208-230/60/1)	22	03-1405-20	Screw
	18-5900-02	"B" model -32 Compressor (208-230/60/1)	23	03-1407-07	Washer
	18-5900-03	"B" model -3 Compressor (208-230/60/3)			

CM855 SERVICE PARTS

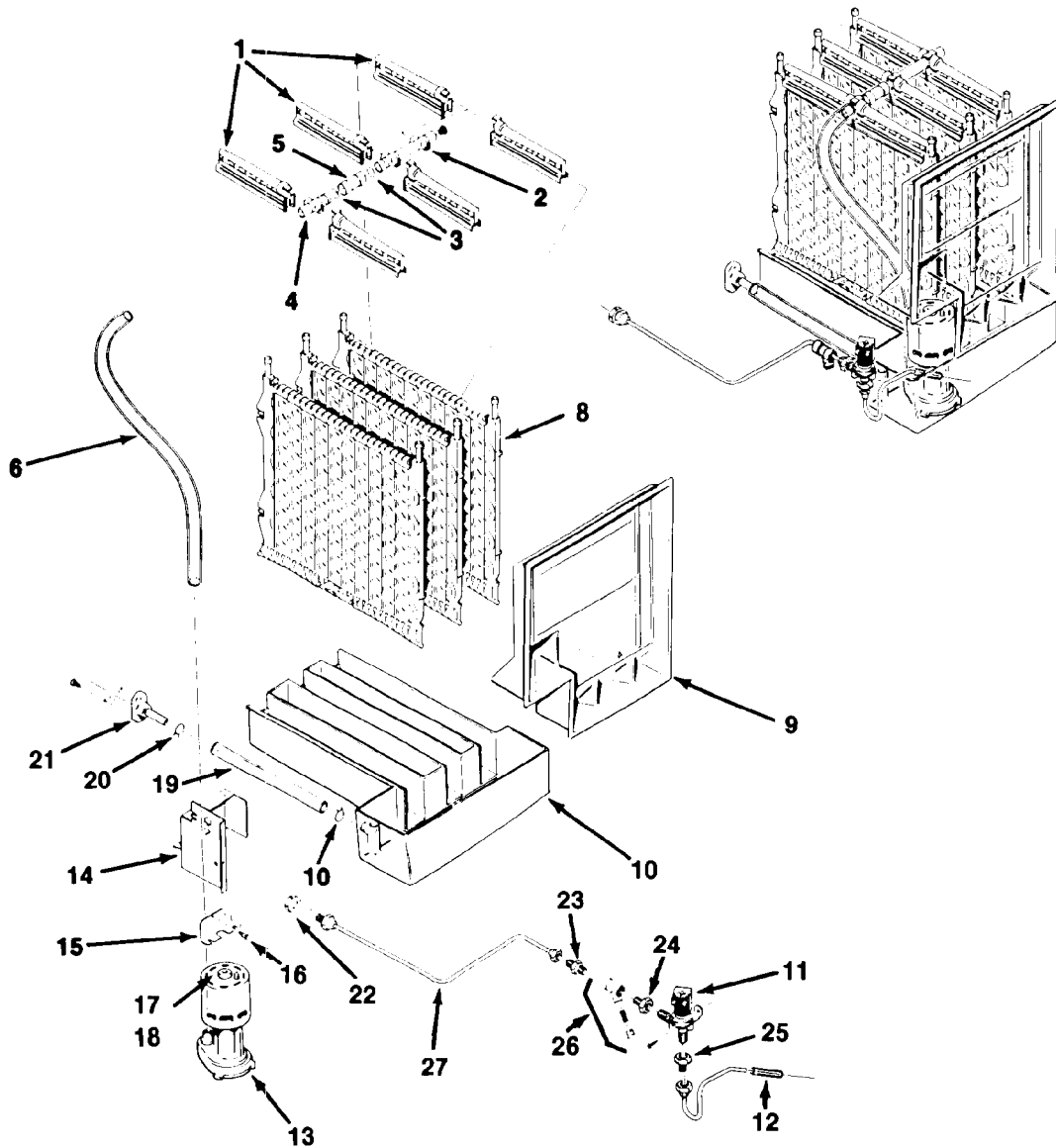
Water Cooled Refrigeration

NOT ILLUSTRATED:
Hi Temperature Cut Out
12-2307-07



ITEM NUMBER	PART NUMBER	DESCRIPTION	ITEM NUMBER	PART NUMBER	DESCRIPTION
1	12-2320-02	Hot Gas Solenoid	10	18-2300-26	Compressor Sleeve
2	A30296-020	Evaporator Plate	11	18-6800-01	Grommet
3	16-0758-04	Thermo Expansion Valve	12	03-1405-20	Screw
4	11-0424-01	Water Regulator Valve	13	16-0793-01	Accumulator
5	A31828-003	Drain Adaptor	14	03-1406-12	Nut
6	18-6900-01	Condenser, WC	15	03-1407-09	Washer
7	03-0571-01	Condenser Screw	16	03-1410-05	Lockwasher
8	03-1407-05	Condenser Washer	17	02-2893-01	Accumulator Insulation Half
9	18-6700-01	"A" model -32 Compressor (208-230/60/1)	18	16-0560-00	Valve Core
	18-5900-02	"B" model -32 Compressor (208-230/60/1)	19	16-0563-00	Valve Cap
	18-5900-03	"B" model -3 Compressor (208-230/60/3))	20	A32472-001	Evaporator Inlet Assy
			21	02-21426-02	Dryer
			22	02-2628-02	Receiver, on all "B" models & units after date code 06W

CM855 THE PARTS ILLUSTRATIONS AND PARTS LISTS



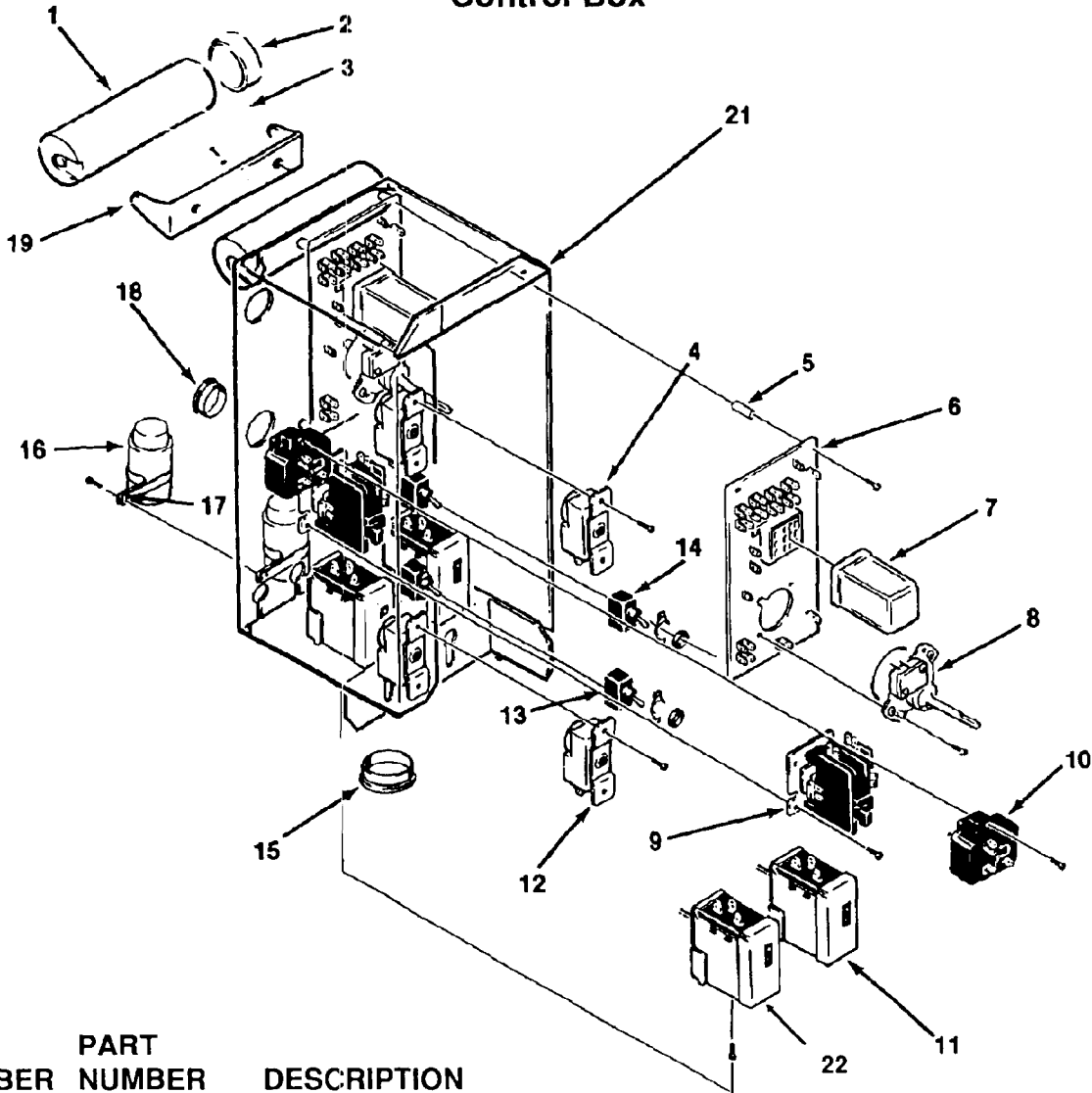
WATER SYSTEM

ITEM NUMBER	PART NUMBER	DESCRIPTION	ITEM NUMBER	PART NUMBER	DESCRIPTION
1	02-2527-01	Water Distributor Tube	14	A32462-001	Housing - Pump
2	02-2521-01	Manifold - Water	15	A32551-001	Bracket - Pump
3	13-0617-48	Manifold - Water - O-ring	16	03-0727-00	Screw - Thumb
4	A29703-001	Maifold - Water	17	03-1406-05	Nut - Top Pump
5	02-2895-01	Water Restrictor	18	03-1407-03	Washer - Top Pump
6	13-0674-07	Hose 30"	19	13-0674-07	Drain Hose 16.5"
7	02-1358-01	Hose Clamp	20	02-1358-01	Hose Clamp
8	A30296-020	Evaporator Plate	21	A31757-002	Drain
9	02-2890-01	Evaporator Cover	22	03-1394-01	Pal Nut
10	02-2889-01	Sump	23	16-0791-01	Coupling - Half Union
11	12-1646-04	Water Solenoid	24	16-0794-01	Adaptor
12	15-0674-01	Hose 3"	25	16-0631-02	Connector - Female
13	12-2319-22	Pump - Water	26	16-0162-00	Strainer
			27	No Number	Water Line



CM855 SERVICE PARTS

Control Box

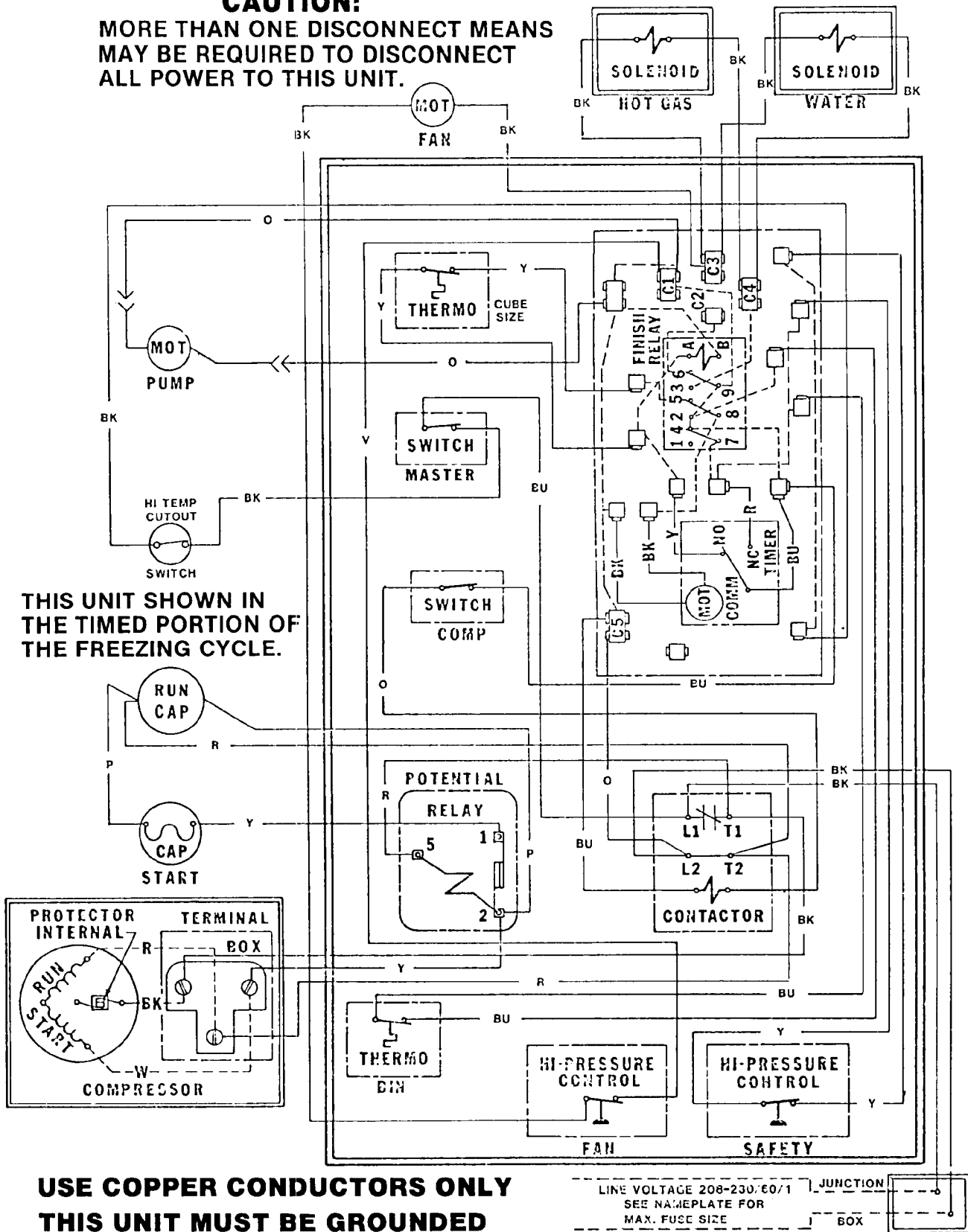


ITEM NUMBER	PART NUMBER	DESCRIPTION
1	18-1901-48	Start Capacitor
2	18-4300-50	Start Capacitor Cap
3	03-1419-15	Screw
4	11-0436-01	Cube Size Control, WC
	11-0428-01	Cube Size Control, AC
5	no number	Stand off
6	12-1912-01	Circuit board
7	12-1979-03	Relay
8	12-1980-02	Timer
9	12-2048-01	Contacteur, single phase
	12-0739-02	Contacteur, three phase
10	18-1903-26	Potential relay
11	11-0425-01	Hi pressure control, AC
	11-0410-02	Hi pressure control, WC
12	11-0427-22	Bin Thermostat
13	12-0426-01	Switch

ITEM NUMBER	PART NUMBER	DESCRIPTION
14	12-0426-01	Switch
15	12-2311-01	Snap bushing
16	18-1902-53	Run Capacitor
17	A09388-002	Run Cap Brace
18	02-2790-01	Snap Bushing
19	no number	Bracket
20	A31799-001	Control Box Cover
21	no number	Control Box
22	11-0426-01	Fan Control (AC)

CM855 COMPONENT LAY-OUT WIRING DIAGRAM

CAUTION:
 MORE THAN ONE DISCONNECT MEANS
 MAY BE REQUIRED TO DISCONNECT
 ALL POWER TO THIS UNIT.



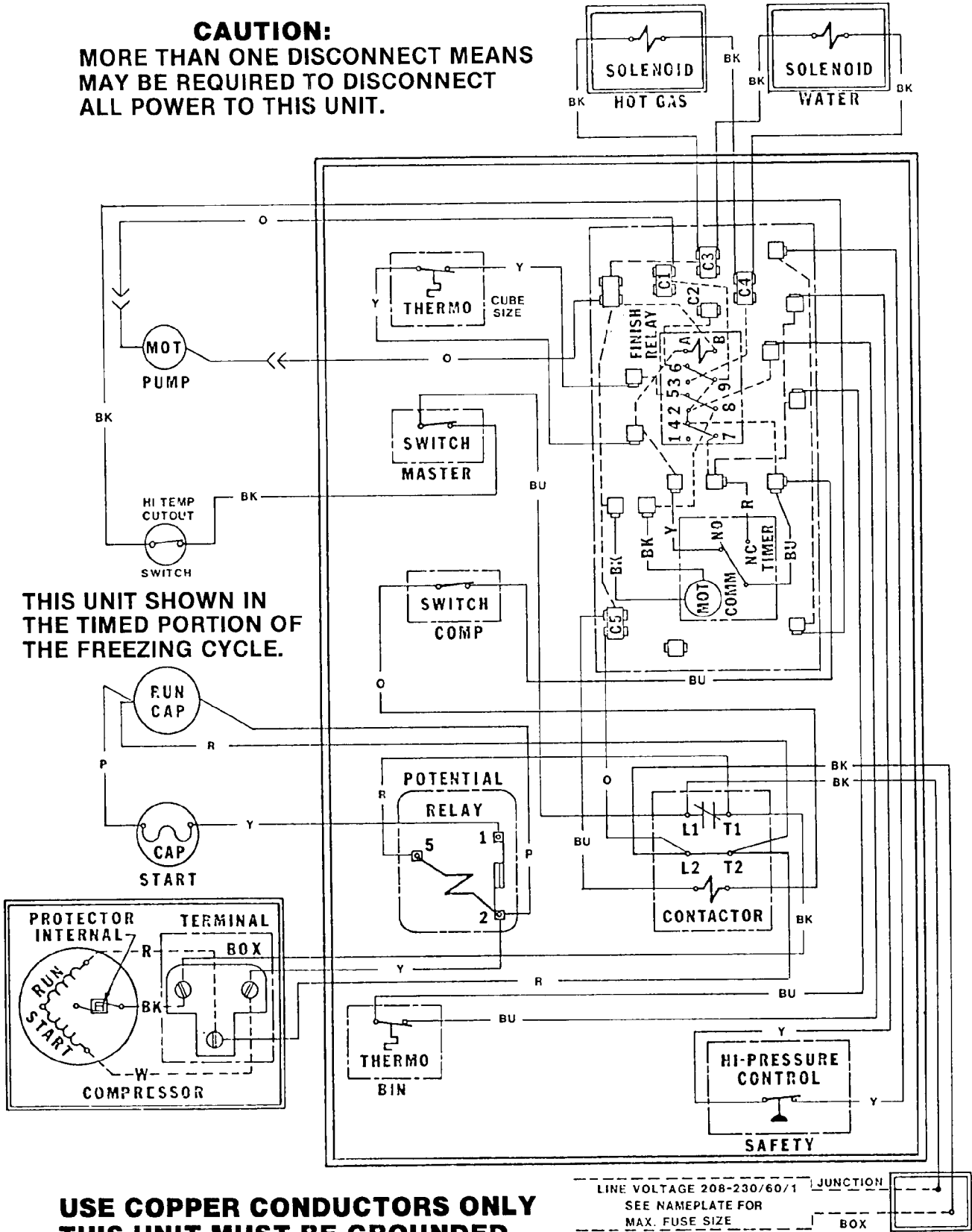
USE COPPER CONDUCTORS ONLY
THIS UNIT MUST BE GROUNDED

LINE VOLTAGE 208-230/60/1
 SEE NAMEPLATE FOR
 MAX. FUSE SIZE

CM855AE-32 Air-Cooled (208-230/60/1)

CM855 COMPONENT LAY-OUT WIRING DIAGRAM

CAUTION:
 MORE THAN ONE DISCONNECT MEANS
 MAY BE REQUIRED TO DISCONNECT
 ALL POWER TO THIS UNIT.



THIS UNIT SHOWN IN
 THE TIMED PORTION OF
 THE FREEZING CYCLE.

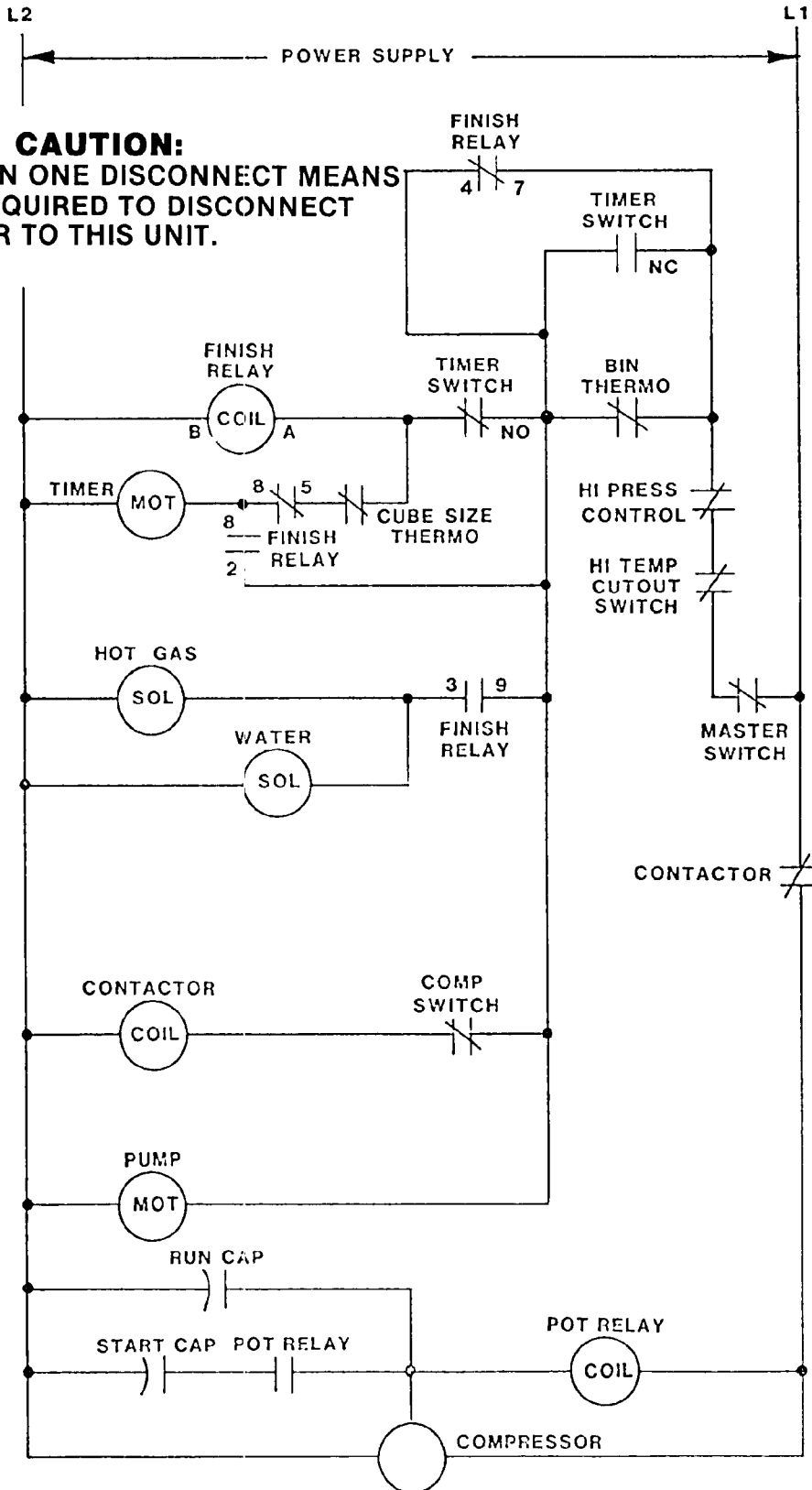
USE COPPER CONDUCTORS ONLY
THIS UNIT MUST BE GROUNDED

LINE VOLTAGE 208-230/60/1 JUNCTION
 SEE NAMEPLATE FOR
 MAX. FUSE SIZE BOX

CM855WE-32 Water-Cooled (208-230/60/1)

CM855 SCHEMATIC WIRING DIAGRAM

CAUTION:
MORE THAN ONE DISCONNECT MEANS
MAY BE REQUIRED TO DISCONNECT
ALL POWER TO THIS UNIT.



THIS UNIT SHOWN
IN TIMED FREEZE
CYCLE

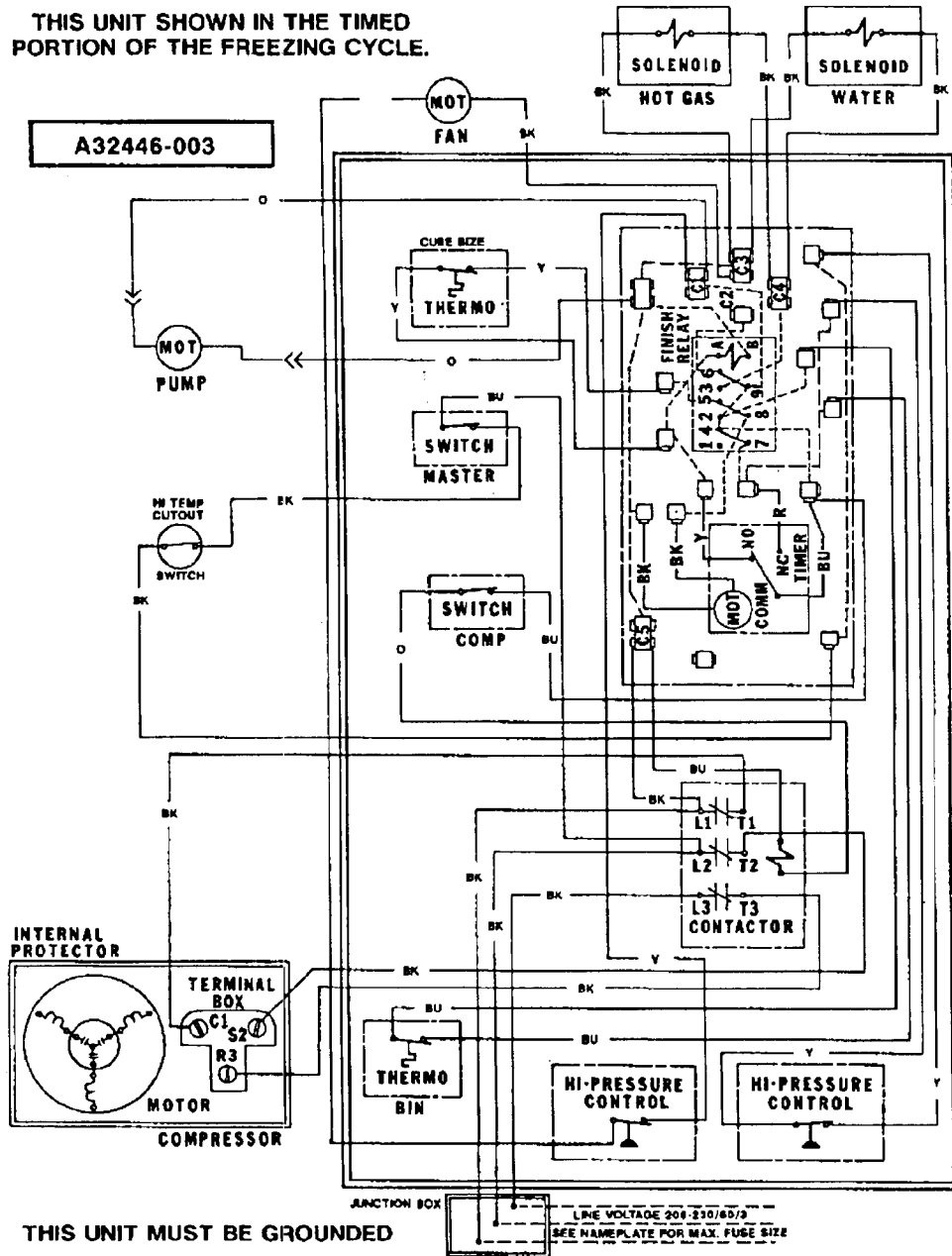
USE COPPER CONDUCTORS ONLY THIS UNIT MUST BE GROUNDED

CM855WE-32 Water-Cooled (208-230/60/1)

CM855 WIRING DIAGRAMS

CM855AE-3B (208-230/60/3) Air Cooled

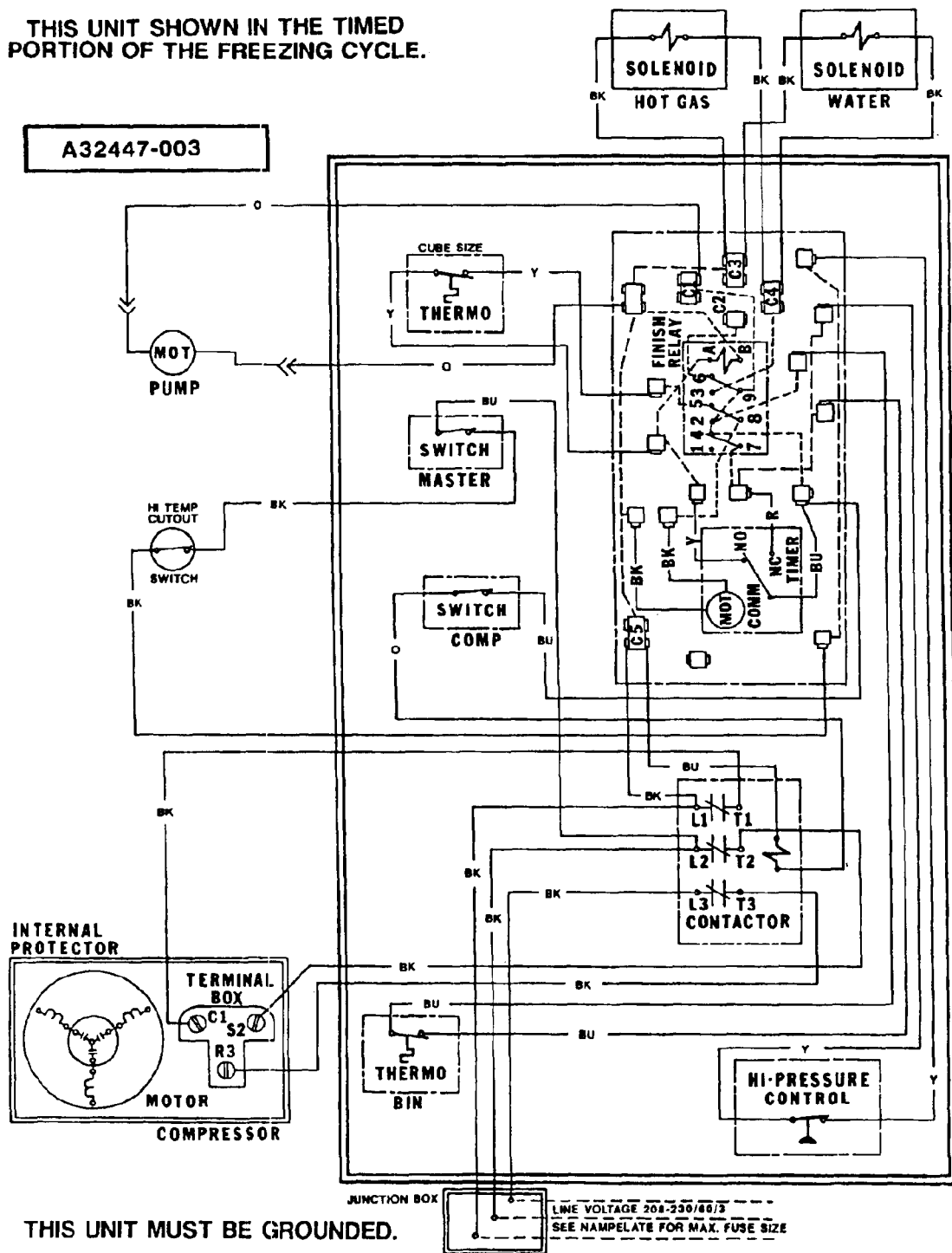
THIS UNIT SHOWN IN THE TIMED
PORTION OF THE FREEZING CYCLE.



CM855 WIRING DIAGRAMS

CM855WE-3B (208-230/60/3) Water Cooled

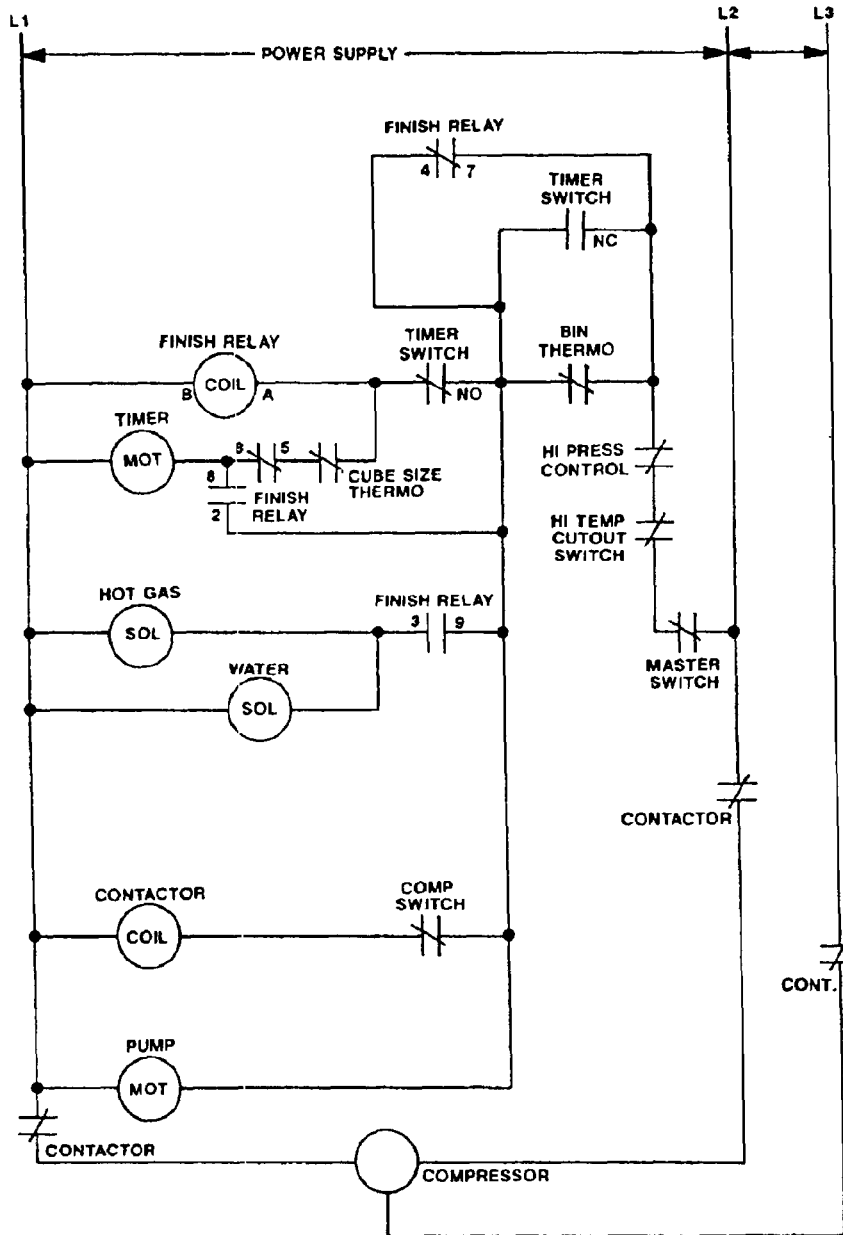
THIS UNIT SHOWN IN THE TIMED PORTION OF THE FREEZING CYCLE.



CM855 WIRING DIAGRAMS

CM855WE-3B (208-230/60/3) Water Cooled

CAUTION: More than one disconnect means may be required to disconnect all power to this unit.



USE COPPER CONDUCTORS ONLY.