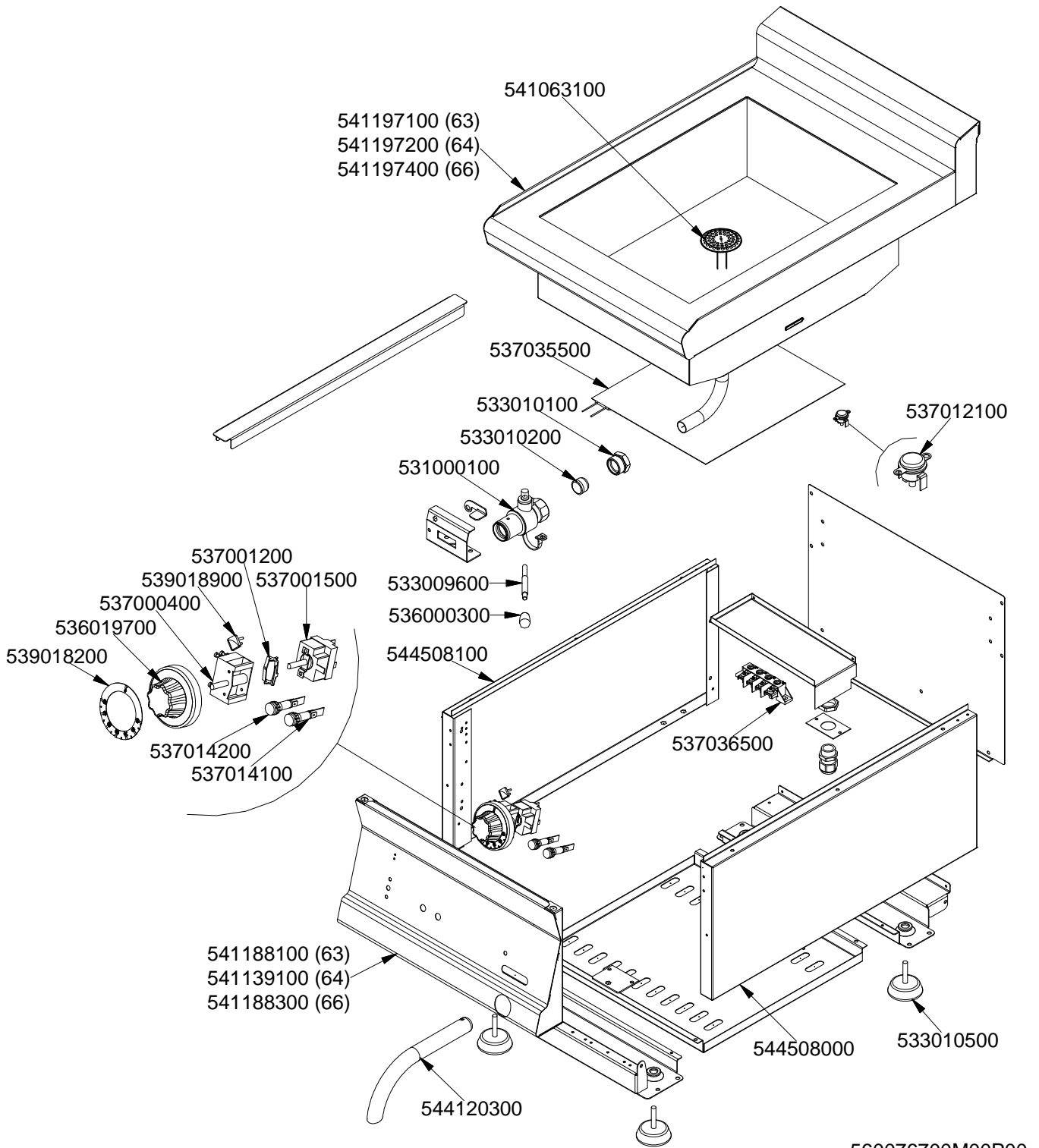


MAGICLOTUS 60

ELETTRICO / ELECTRIC / ELEKTRO / ELECTRIQUE

BMT-63EM BMT-64EM BMT-66EM



| Page | Pos | Code | Description |
|------|-----|-----------|-------------------------------------|
| 001 | | 541063100 | TANK DRAIN FILTER BS-4EM/CPM |
| 001 | | 541197100 | UPPER PLATE BMT-63EM |
| 001 | | 537035500 | ELEMENT BMT 60LINE 650W 230V |
| 001 | | 537012100 | TEMPERATURE LIMITING DEVICE 165°C |
| 001 | | 533010100 | 3/4 D. 18 PIPE UNION |
| 001 | | 533010200 | BICONE 18S |
| 001 | | 531000100 | DRAIN COCK 3/4" |
| 001 | | 537001500 | THERMOSTAT 30-90°C SINGLEPHASE |
| 001 | | 537001200 | FIXING BRACKET FOR THERMOSTAT/COMM. |
| 001 | | 539018900 | INDEX FOR KNOB |
| 001 | | 537000400 | COMMUTATOR 1POS.SINGLEPHASE S49 16A |
| 001 | | 537036500 | TERMINAL BLOCK 4POLES 40A SCREW-SCR |
| 001 | | 536019700 | BLACK KNOB §70 PIN §6*5 |
| 001 | | 539018200 | ADHESIVE GRADUATED DISC FOR KNOB |
| 001 | | 537014200 | GREEN WARNING LIGHT 250V |
| 001 | | 537014100 | WHITE WARNING LIGHT 250V |
| 001 | | 544508100 | |
| 001 | | 533009600 | DRAIN COCK HANDLE |
| 001 | | 536000300 | FIXED GRIP D.15*25*M6 |
| 001 | | 544508000 | |
| 001 | | 533010500 | LEG M10*25 D.40 |
| 001 | | 544120300 | DRAIN PIPE 22 FOR COCK 3/4"G |
| 001 | | 541188100 | CONTROL PANEL 607090 BMT-63EM |