

# WAREWASHER

ELECTROMECHANICAL SWITCHES  
SIMPLE BODY VERSION

TYPE: 69U

Accessories  
BOOSTER PUMP

DVGW  
DETERGENT DISPENSER  
DRAIN PUMP

---

## Spare parts

---



---

S/N:

Valid from:..03/2004

Rev.: 1.0

---



## 1. Spare parts

General body parts.....	7
Lockup system .....	9
Control panel and switches.....	11
Electric control components.....	13
Solenoid valve group .....	15
Booster pump.....	17
DVGW .....	19
Rinse aid dispenser group.....	21
Boiler group .....	23
Connection group .....	25
Wash pump .....	27
Dosing detergent group.....	29
Drain pump group.....	31
Pressure switch group with air trap ...	33
Turret group with rotating arms .....	35
Turret group with rotating arms .....	37



## 1.1 Voltage codes

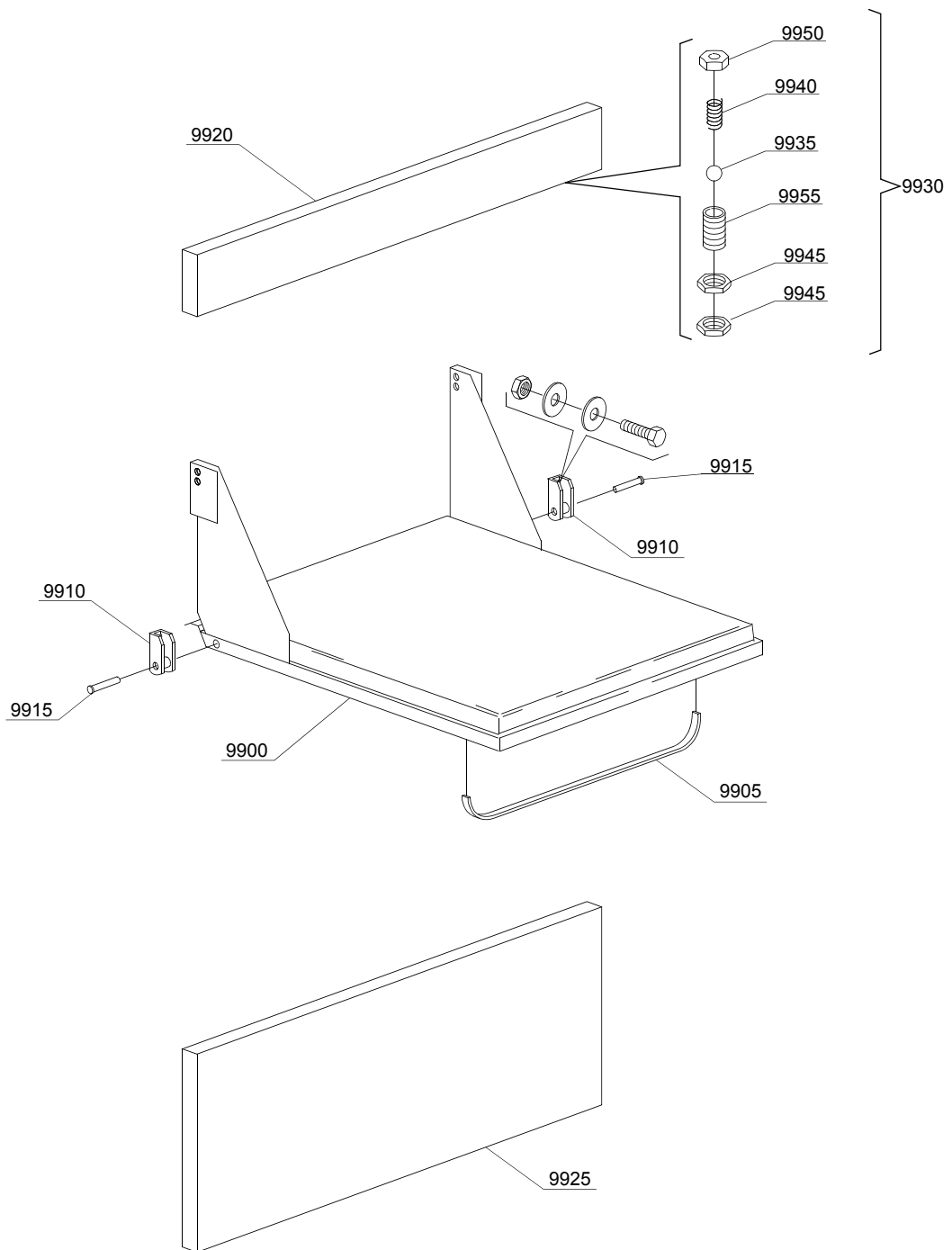
Voltage code	Voltage
A	3/N/PE~400/230V 50Hz
B	~250V 16A 50Hz
C	3/N/PE~380/220V 50Hz
D	3/PE~200V 50-60Hz
F	2/PE 220-240V 50Hz
G	3/N/PE~415/240V 50Hz
H	3/PE~230V 50Hz
I	3/PE~220V 60Hz
J	3/PE~380 50Hz
K	3/PE~400V 50Hz
L	3/PE~415V 50Hz
M	3/PE~440V 60Hz
N	3/PE~460V 60Hz
O	3/PE~480V 60Hz
P	1/N/PE~220-240V 50Hz
R	2/PE~220-230V 60Hz
S	3/N/PE~400/230V 50Hz
T	3/PE~230V 60Hz

## 1.2 Product codes

Product code	Full name
Model codes	
em	ELECTROMECHANICAL SWITCHES
mc	SIMPLE BODY VERSION
dc	DOUBLE BODY VERSION
Type codes	
69U	69U
Accessory codes	
pap	BOOSTER PUMP
dvgw	DVGW
dde	DETERGENT DISPENSER
ps	DRAIN PUMP





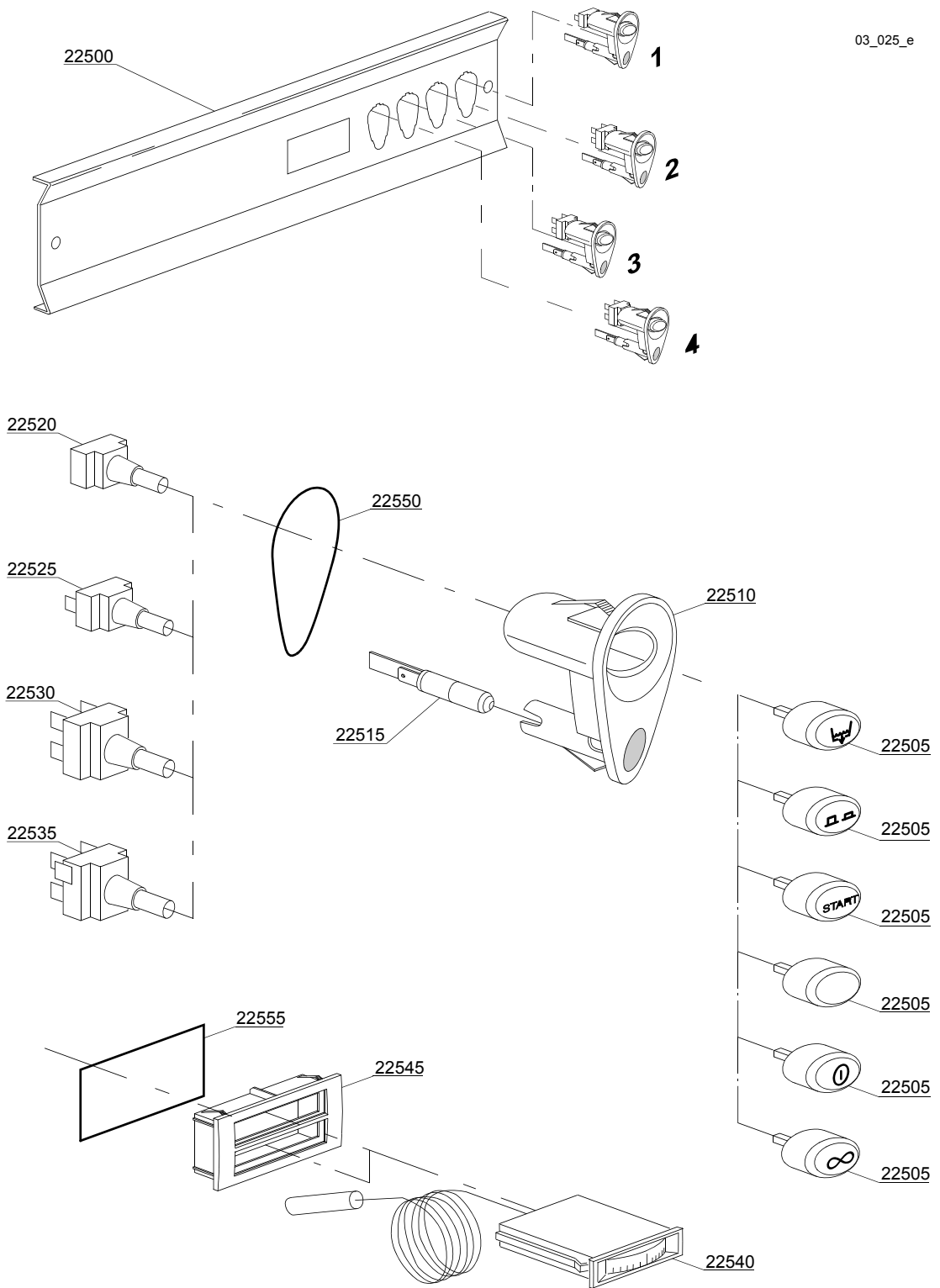


02\_109\_e



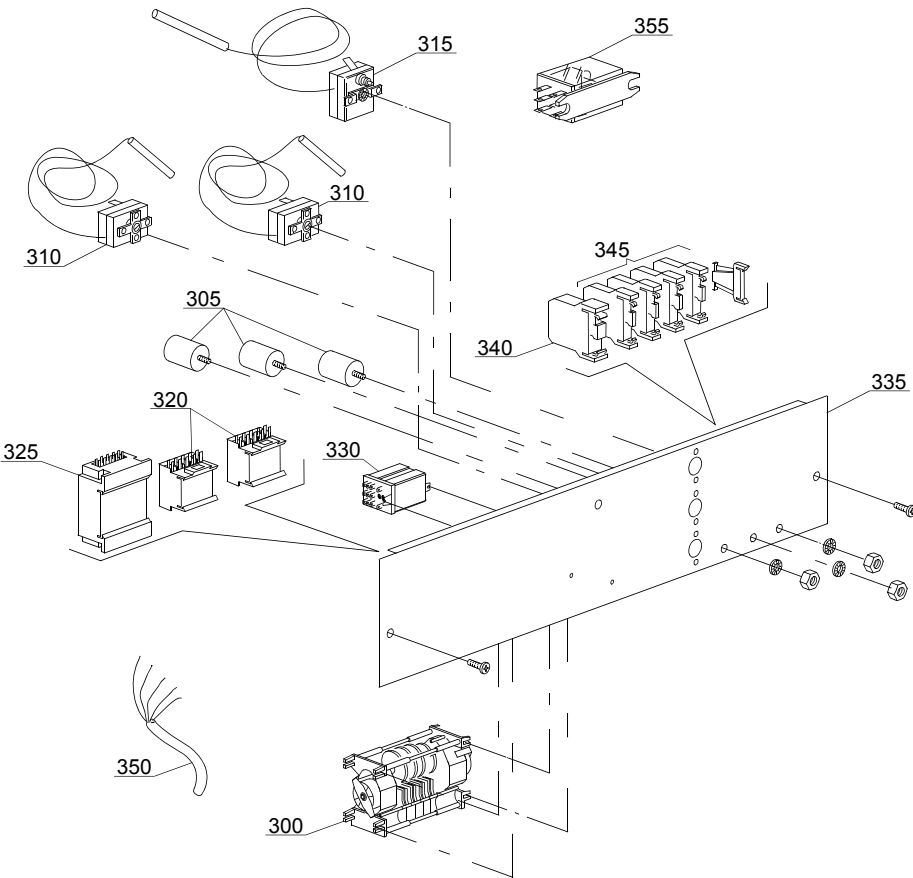
## Spare parts

ID	P-code	Model	Type	Accessory	Voltage	Description
MODULE:Lockup system						
9900	21201		69U			Door
9905	22215		69U			Handle
9910	22206/B		69U			Door square
9915	22220/A		69U			Stainless steel pin for hinge door
9920	21203		69U			Top frontal
9925	22208		69U			Lower door
9930	10775		69U			Door jack assembly
9935	10776		69U			Sphere
9940	10777		69U			Spring for door hook
9945	10801		69U			Door jack nut
9950	10802		69U			Door jack locknut
9955	10803		69U			Door jack body



## Spare parts

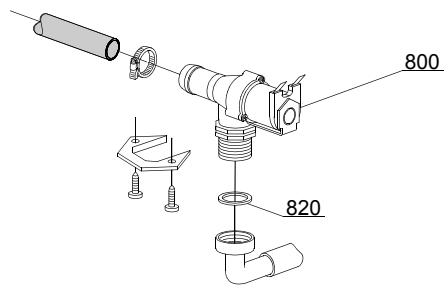
ID	P-code	Model	Type	Accessory	Voltage	Description
MODULE:Control panel and switches						
22500	23234	em	69U			Star control panel
22505	89343	em	69U	dp		Drain pump push button
22505	89342	em	69U			Time selector switch push button
22505	89341	em	69U			Start push button
22505	89348	em	69U			Blind push button
22505	89340	em	69U			ON-OFF push button
22505	89346	em	69U	cc		Continuous cycle push button
22510	89300	em	69U			Push button support
22515	15826	em	69U			Pilot lamp
22520	15844	em	69U			Push button support
22525	15813	em	69U			16A unipolar switch
22530	15812	em	69U			16A switch
22530	15800	em	69U			16A bipolar switch
22535	15811	em	69U			16A bipolar switch
22535	15811/A	em	69U			16A bipolar switch
22540	10500011	em	69U			Thermometer
22545	89306	em	69U			Double thermometer support
22550	89332	em	69U			OR O-ring
22555	89331	em	69U			OR O-ring



04\_011\_e

## Spare parts

ID	P-code	Model	Type	Accessory	Voltage	Description
MODULE:Electric control components						
300	22011		69U		A	120/240" timer with thermostop
305	15149		69U		A	Low noise filter
310	10707/1		69U		A	0-90°C thermostat
315	2000430		69U		A	Safety thermostat
320	15086		69U		A	Contactora 230V 50/60Hz 4C
325	10300050		69U		A	25A/12A contactora - 230V 50/60HZ
330	16037		69U		A	16A bipolar relay
335	22210		69U		A	Electric component panel
340	10300401		69U		A	6/8mm2 yellow/green terminal
345	10300403		69U		A	6mm2 terminal
350	80200		69U		A	5x4x3400 cable
350	75359		69U			4x6 flame-retardant cable



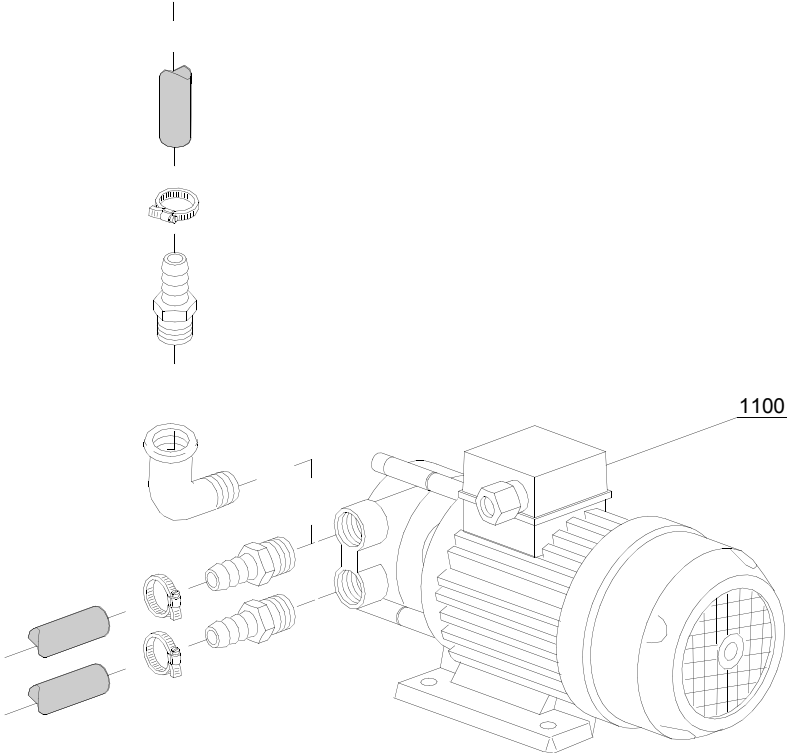
05\_005\_e

**Spare parts**

---

ID	P-code	Model	Type	Accessory	Voltage	Description
MODULE: Solenoid valve group						
800	30001000		69U			Single solenoid valve
820	N.C.		69U			Pression reducing valve

07\_002\_e

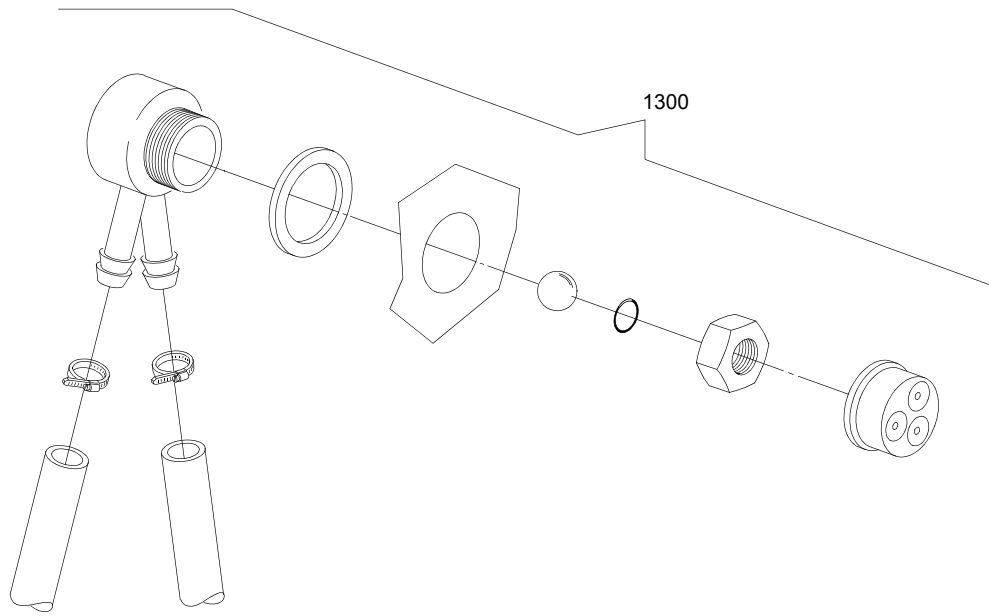




**Spare parts**

---

ID	P-code	Model	Type	Accessory	Voltage	Description
MODULE:Booster pump						
1100	15100		69U	bp		Booster pump 0,5HP 220/240V

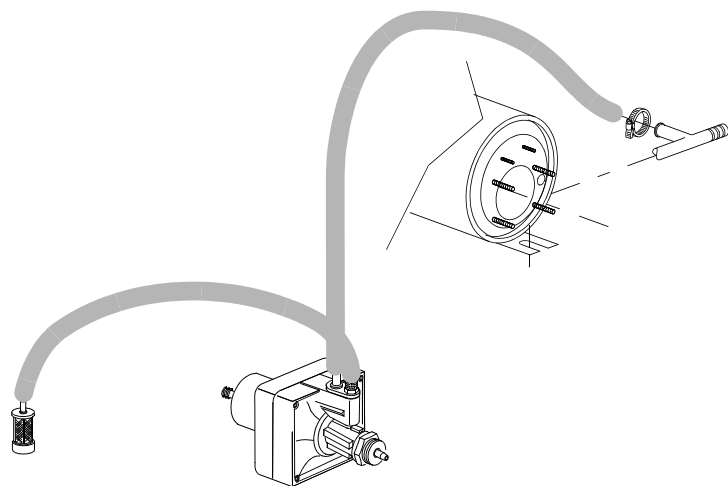
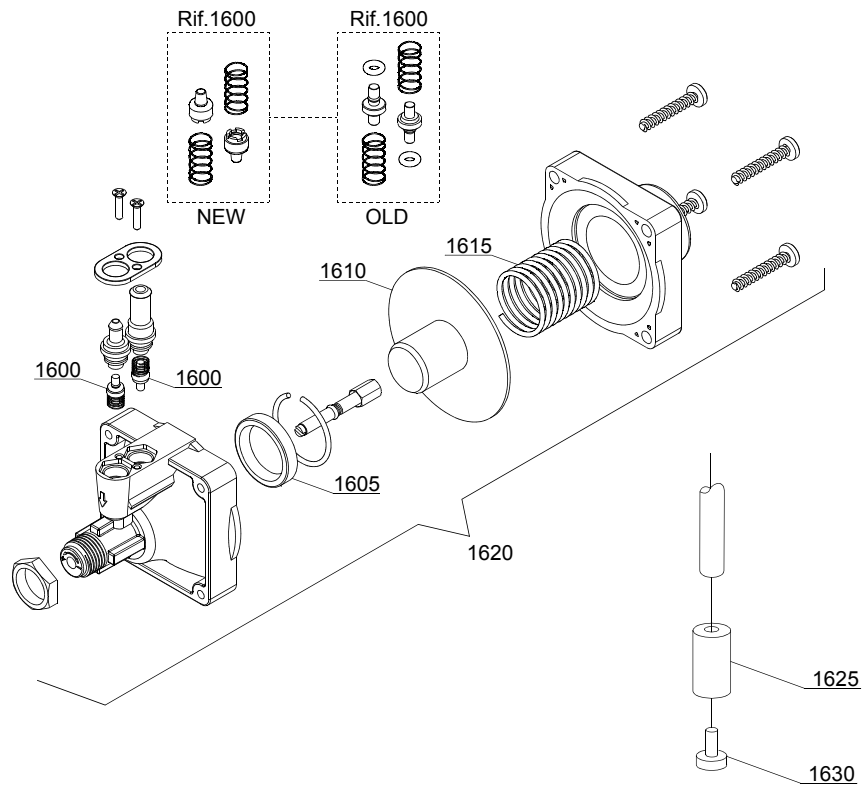


08\_005\_e

**Spare parts**

---

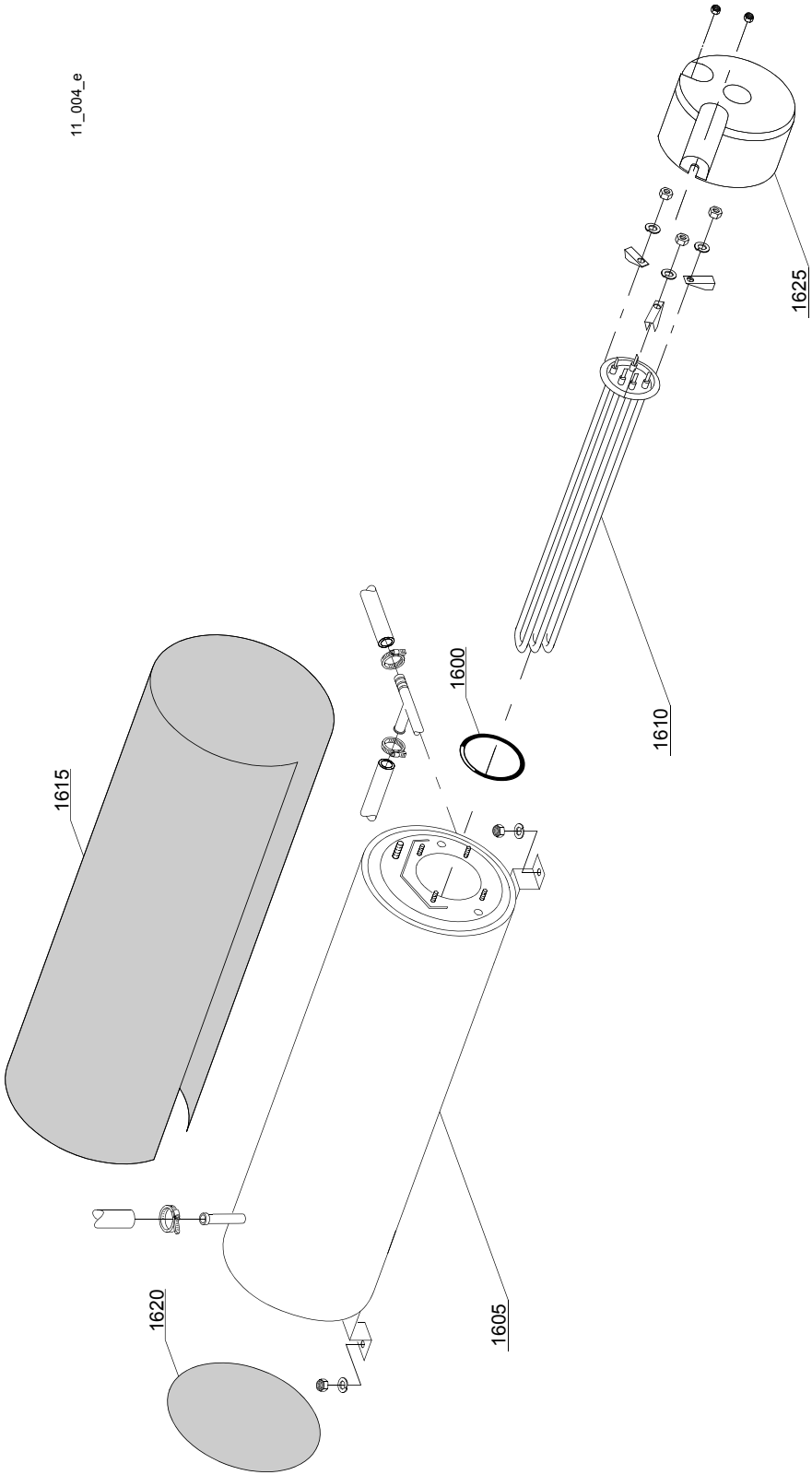
ID	P-code	Model	Type	Accessory	Voltage	Description
MODULE:DVGW						
1300	999900006		69U	dvgw		DVGW assembly



10\_003\_e

## Spare parts

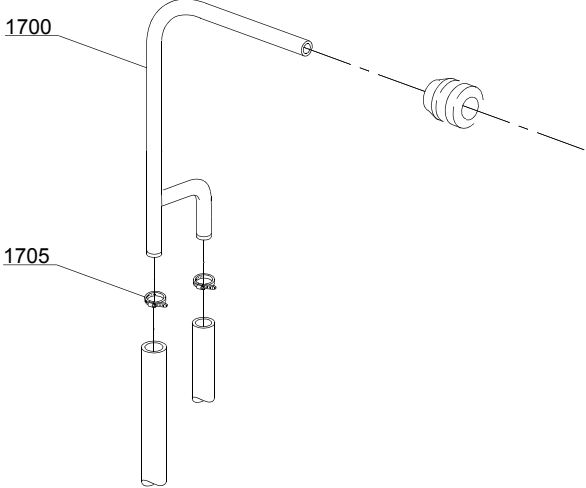
ID	P-code	Model	Type	Accessory	Voltage	Description
MODULE: Rinse aid dispenser group						
1600	10805		69U			Tecnopro non return valve
1605	10806		69U			Ø22 O-ring
1610	10807		69U			Membrane
1615	10808		69U			Spring
1620	10599999		69U			Rinse aid dispenser
1625	12525		69U			Counter-weight
1630	15058		69U			Small filter



## Spare parts

ID	P-code	Model	Type	Accessory	Voltage	Description
MODULE:Boiler group						
1600	13015		69U			6225 OR 160 NBR O-ring
1605	22002		69U			Boiler
1610	30001010		69U			6/6,53KW 230/240/3 heating element
1610	30001011		69U			9/9,8KW 230/240/3 heating element
1610	30001011/A		69U			12/13,07KW 230/240V 3 heating element
1615	30002030		69U			Insulation boiler
1620	75205		69U			Ø160 end piece

12\_007\_e

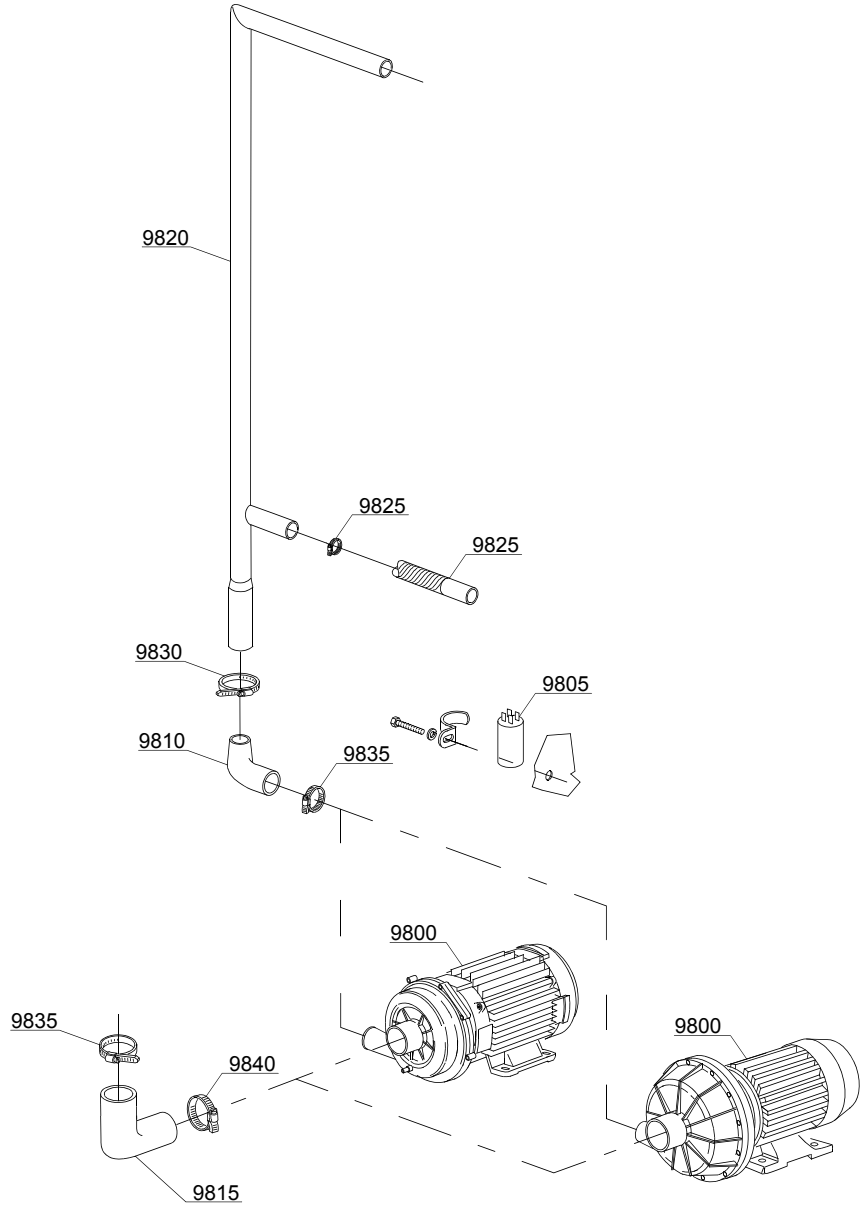




## Spare parts

---

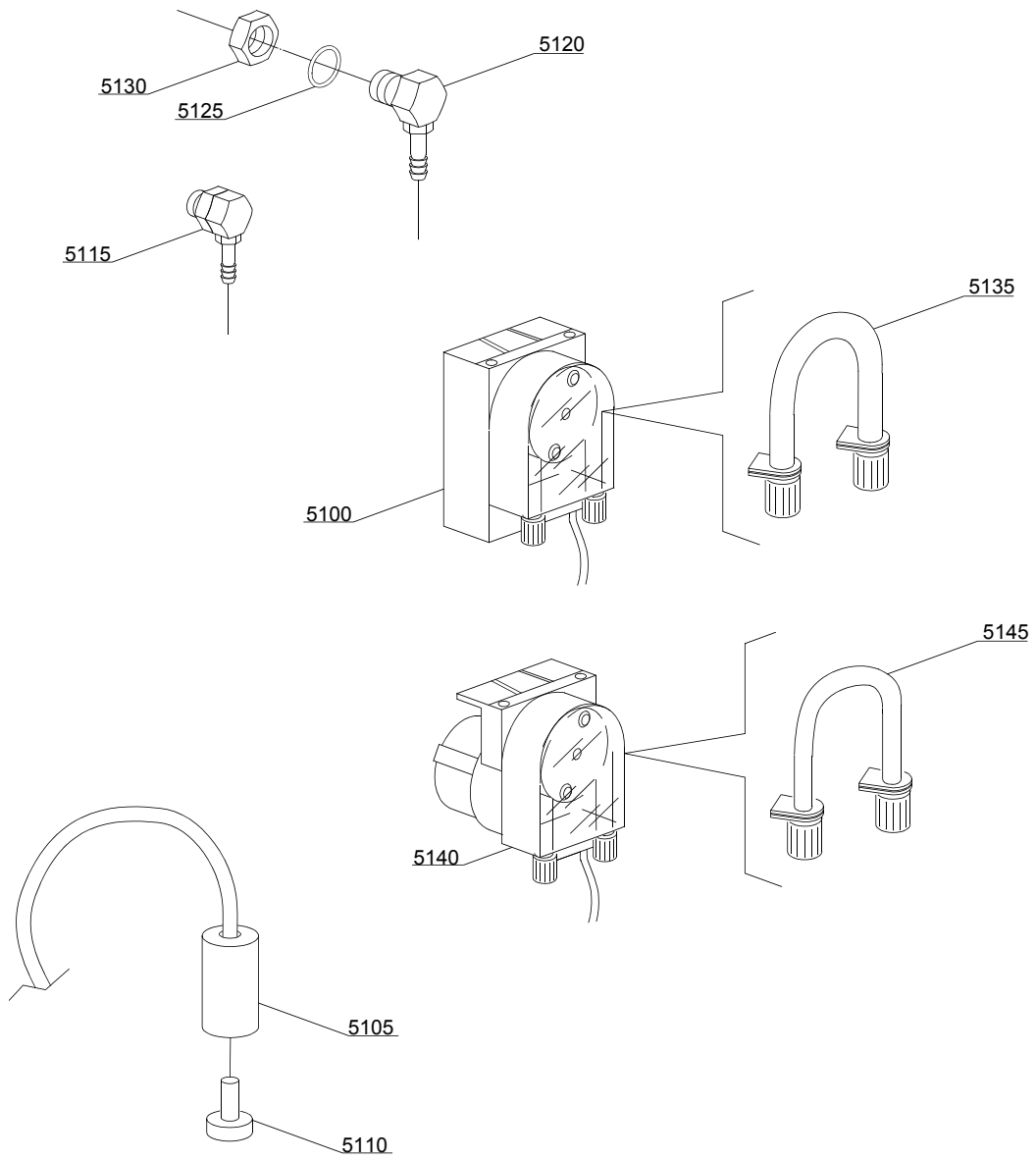
ID	P-code	Model	Type	Accessory	Voltage	Description
MODULE:Connection group						
1700	15045/B		69U			3 ways connection
1705	11807		69U			12/22 clamp



13\_108\_e

## Spare parts

ID	P-code	Model	Type	Accessory	Voltage	Description
MODULE:Wash pump						
9800	10300057/A		69U			1,5Hp pump
9805	10702		69U			5 uF condenser
9810	16170/M		69U			Delivery side pipe coupling
9815	15032/A		69U			Suction pipe coupling
9820	21205		69U			Wash ramp
9825	15033/A		69U			Lower delivery wash pipe
9830	11809		69U			30/45 clamp
9835	11824		69U			50/70 clamp
9840	2902491		69U			60/80 clamp

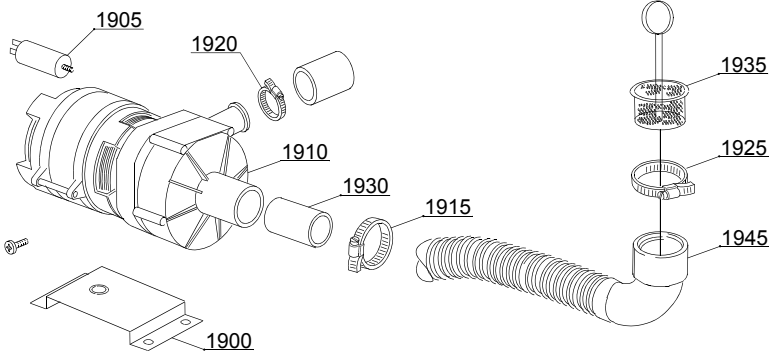


14\_004\_e

## Spare parts

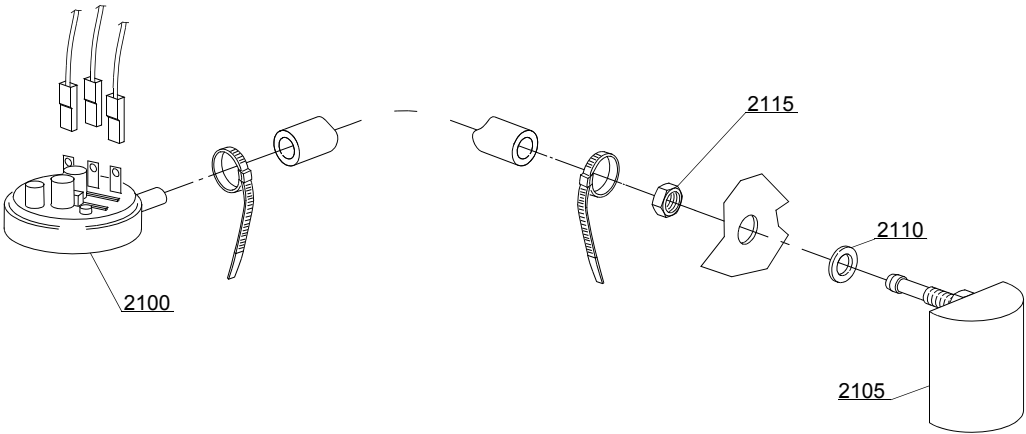
ID	P-code	Model	Type	Accessory	Voltage	Description
MODULE:Dosing detergent group						
5100	15985		69U	dd		Seko detergent pump
5105	12525		69U	dd		Counter-weight
5110	15058		69U	dd		Small filter
5115	15123		69U	dd		Complet plastic injector
5120	15148		69U	dd		Steel injector
5125	15159		69U	dd		OR O-ring
5130	10200205		69U	dd		M12x1 stainless steel nut
5135	15185		69U	dd		Seko thermoplastic pipe
5140	15985		69U	dd		Germac detergent pump
5145	15108/E		69U	dd		Germac thermoplastic pipe

15\_003\_e



## Spare parts

ID	P-code	Model	Type	Accessory	Voltage	Description
MODULE:Drain pump group						
1905	10702		69U	dp		5 uF condenser
1910	10501/A		69U	dp		190W 230V drain pump
1915	11806		69U	dp		25/40 clamp
1920	11836		69U	dp		20/32 clamp
1925	11809		69U	dp		30/45 clamp
1930	18044		69U	dp		Ø28 top wash pipe
1935	10200039		69U	dp		Flow drain filter
1945	18787		69U	dp		Drain coude/pump connection pipe

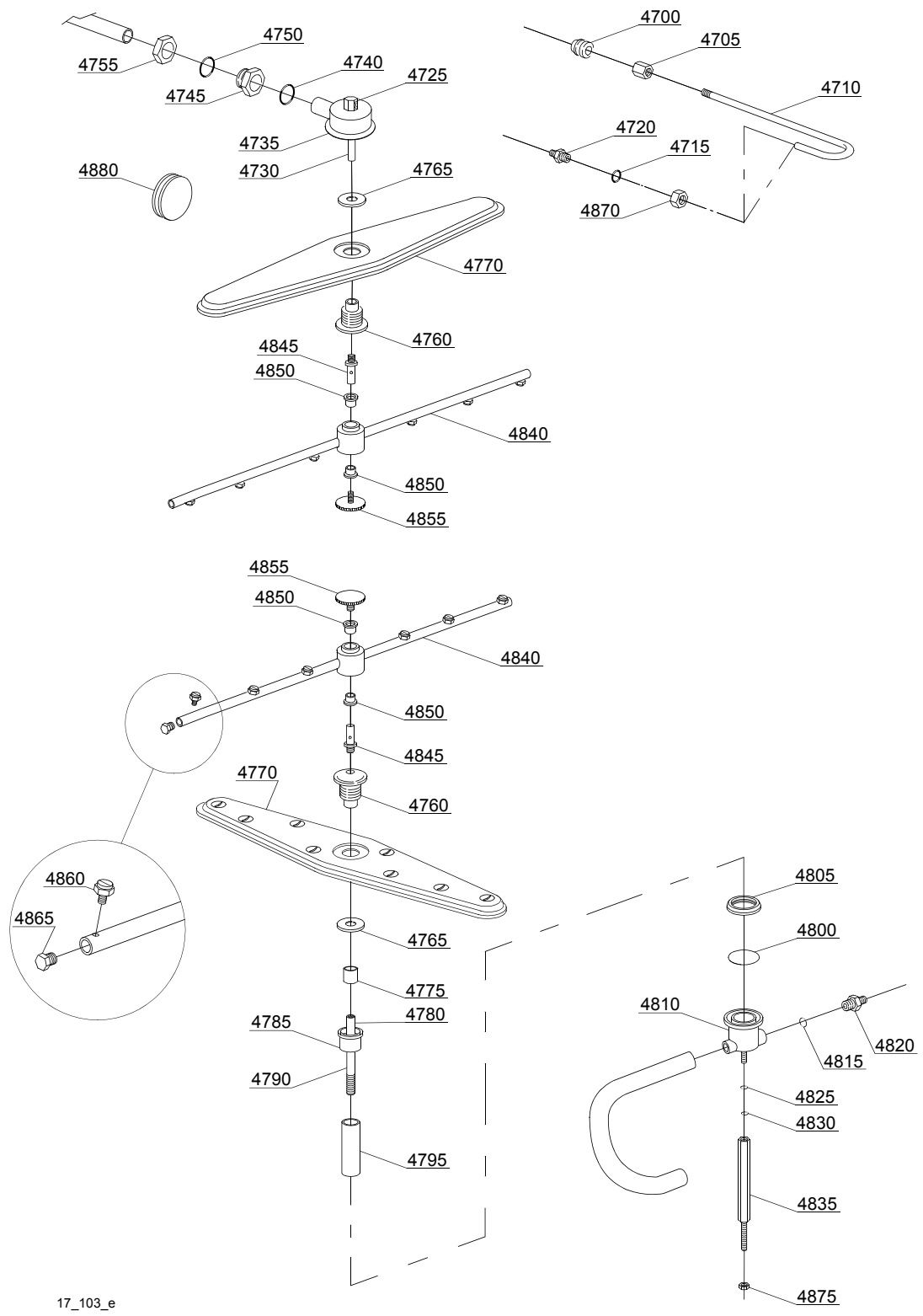


16\_001\_e



## Spare parts

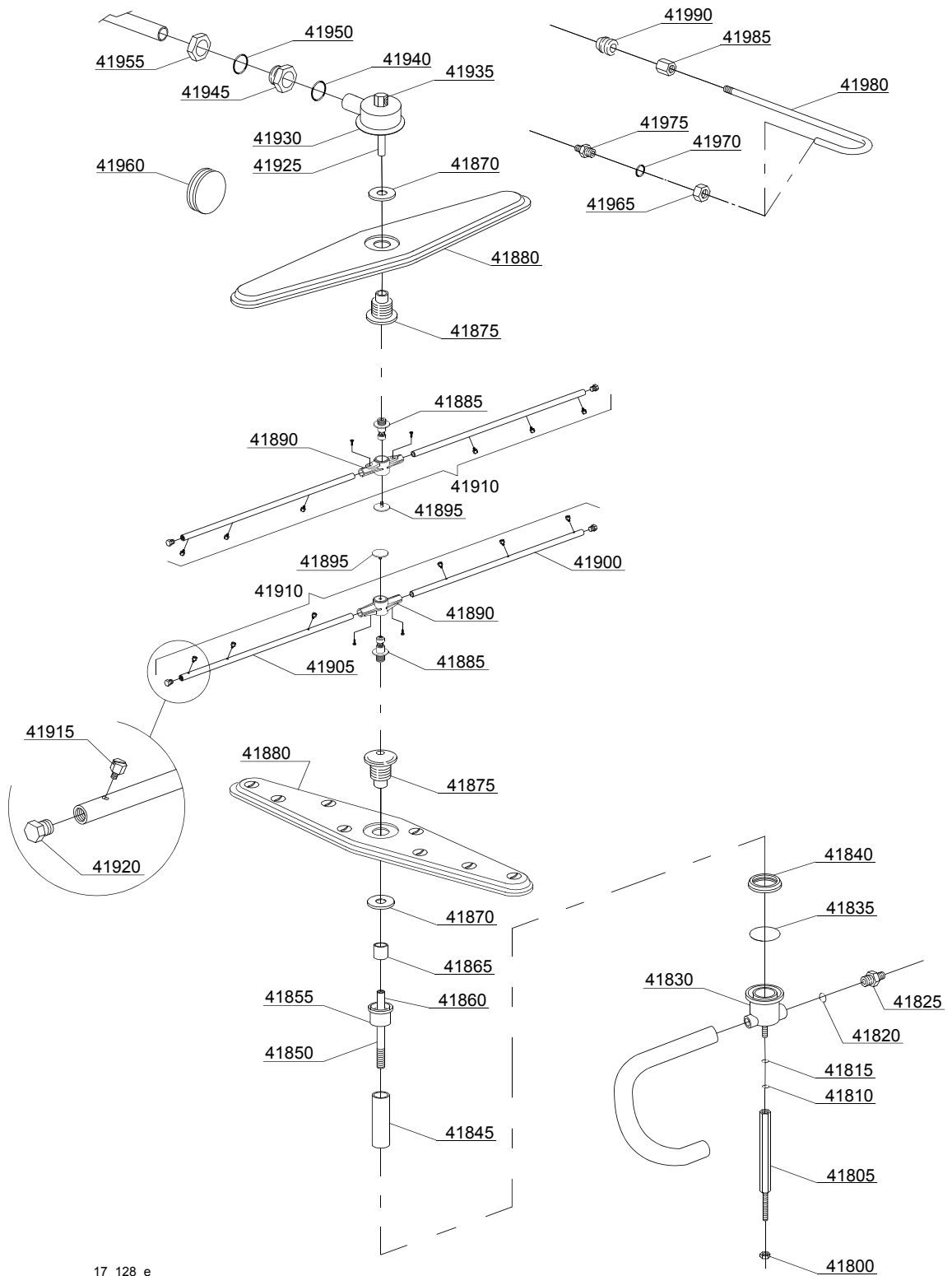
ID	P-code	Model	Type	Accessory	Voltage	Description
MODULE:Pressure switch group with air trap						
2100	75950		69U			86-59 pressure switch
2105	10911/C		69U			Air trap assembly
2110	13301		69U			O-ring
2115	11702		69U			M8 stainless steel nut



17\_103\_e

## Spare parts

ID	P-code	Model	Type	Accessory	Voltage	Description
MODULE:Turret group with rotating arms						
4700	13304		69U			Pipe-pass O-ring
4705	12526		69U			Stainless steel nut coupling
4710	75066		69U			Top rinse pipe
4715	13003		69U			OR 112 NBR O-ring
4720	12006		69U			Ø10 rinse pipe fitting
4725	75319		69U			Rinse elbow
4730	75322		69U			Top rinse axle
4735	75067		69U			Stainless steel turret
4740	13004		69U			OR 3137 NBR O-ring
4745	15042		69U			1" 1/4 ring nut
4750	13008		69U			OR 147 NBR O-ring
4755	15042/A		69U			Nut
4760	75320		69U			Wash arm bearing
4765	75317		69U			Nut for wash arm bearing
4770	75915		69U			Stainless steel wash rotor
4775	75321		69U			Spacer for hub
4780	75315		69U			Rinse axle extension
4785	15040/A		69U			Lower wash bell-shape
4790	22026		69U			Lower extension axle
4795	22050		69U			Steel pipe coupling
4800	13022		69U			OR 4150 O-ring
4805	15038		69U			Ring nut connection
4810	15041/A		69U			Grey wash/rinse lower distributor
4815	13003		69U			OR 112 NBR O-ring
4820	12506		69U			Ø10 rubber-holder
4825	11185		69U			8x16 steel plane washer
4830	13313		69U			8x24x2 O-ring
4835	22024		69U			Lower tie rod
4840	75918		69U			Top/lower rinse arm complete
4845	75323		69U			Rinse axle
4850	13330		69U			Sliding washer
4855	11101/B		69U			Stainless steel group fixing screw
4860	560018		69U			Stainless steel rinse nozzle
4865	560017		69U			Rinse arm plug
4870	12006/A		69U			Ø10 pipe fitting 3/8x3,5 nut 19 hexagonal
4875	11702		69U			M8 stainless steel nut
4880	13316/A		69U			DVGW hole O-ring



17\_128\_e

## Spare parts

ID	P-code	Model	Type	Accessory	Voltage	Description
MODULE:Turret group with rotating arms						
41800	11702		69U			M8 stainless steel nut
41805	22024		69U			Lower tie rod
41810	13313		69U			8x24x2 O-ring
41815	11185		69U			8x16 steel plane washer
41820	13003		69U			OR 112 NBR O-ring
41825	12506		69U			Ø10 rubber-holder
41830	15041/A		69U			Grey wash/rinse lower distributor
41835	13022		69U			OR 4150 O-ring
41840	15038		69U			Ring nut connection
41845	22050		69U			Steel pipe coupling
41850	22026		69U			Lower extension axle
41855	15040/A		69U			Lower wash bell-shape
41860	75315		69U			Rinse axle extension
41865	75321		69U			Spacer for hub
41870	75317		69U			Nut for wash arm bearing
41875	75320		69U			Wash arm bearing
41880	75915		69U			Stainless steel wash rotor
41885	10651		69U			Rinse axle
41890	10650		69U			Rinse arm
41895	10652		69U			Rinse arm screw
41900	10657		69U			Right rinse arm - stainless steel nozzle
41905	10658		69U			Left rinse arm - stainless steel nozzle
41910	75918		69U			Top/lower rinse arm complete
41915	560018		69U			Stainless steel rinse nozzle
41920	560017		69U			Rinse arm plug
41925	75322		69U			Top rinse axle
41930	75067		69U			Stainless steel turret
41935	75319		69U			Rinse elbow
41940	13004		69U			OR 3137 NBR O-ring
41945	15042		69U			1" 1/4 ring nut
41950	13008		69U			OR 147 NBR O-ring
41955	11101/B		69U			Stainless steel group fixing screw
41960	13316/A		69U			DVGW hole O-ring
41965	12006/A		69U			Ø10 pipe fitting 3/8x3,5 nut 19 hexagonal
41970	13003		69U			OR 112 NBR O-ring
41975	12006		69U			Ø10 rinse pipe fitting
41980	75066		69U			Top rinse pipe
41985	12526		69U			Stainless steel nut coupling
41990	13304		69U			Pipe-pass O-ring