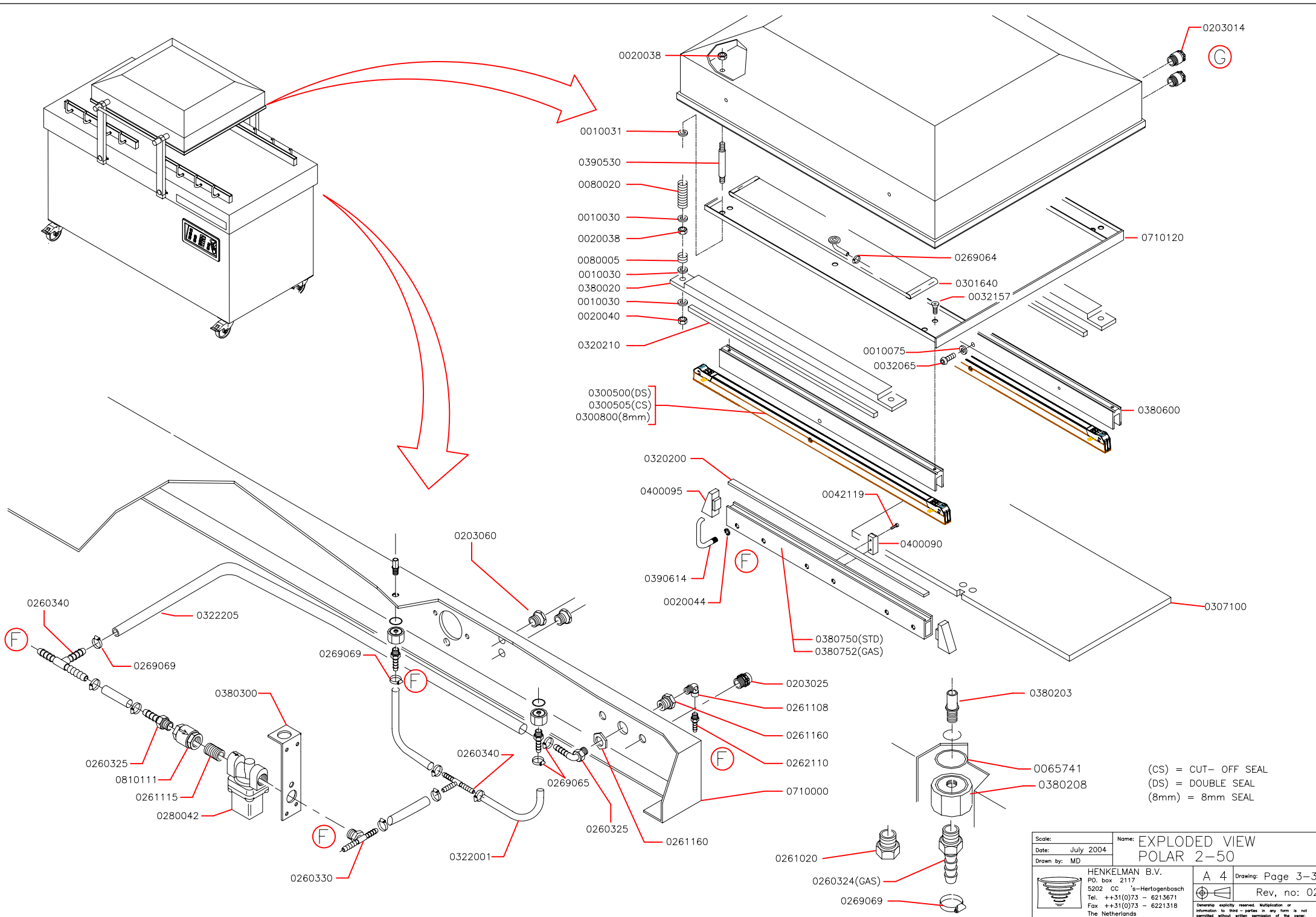
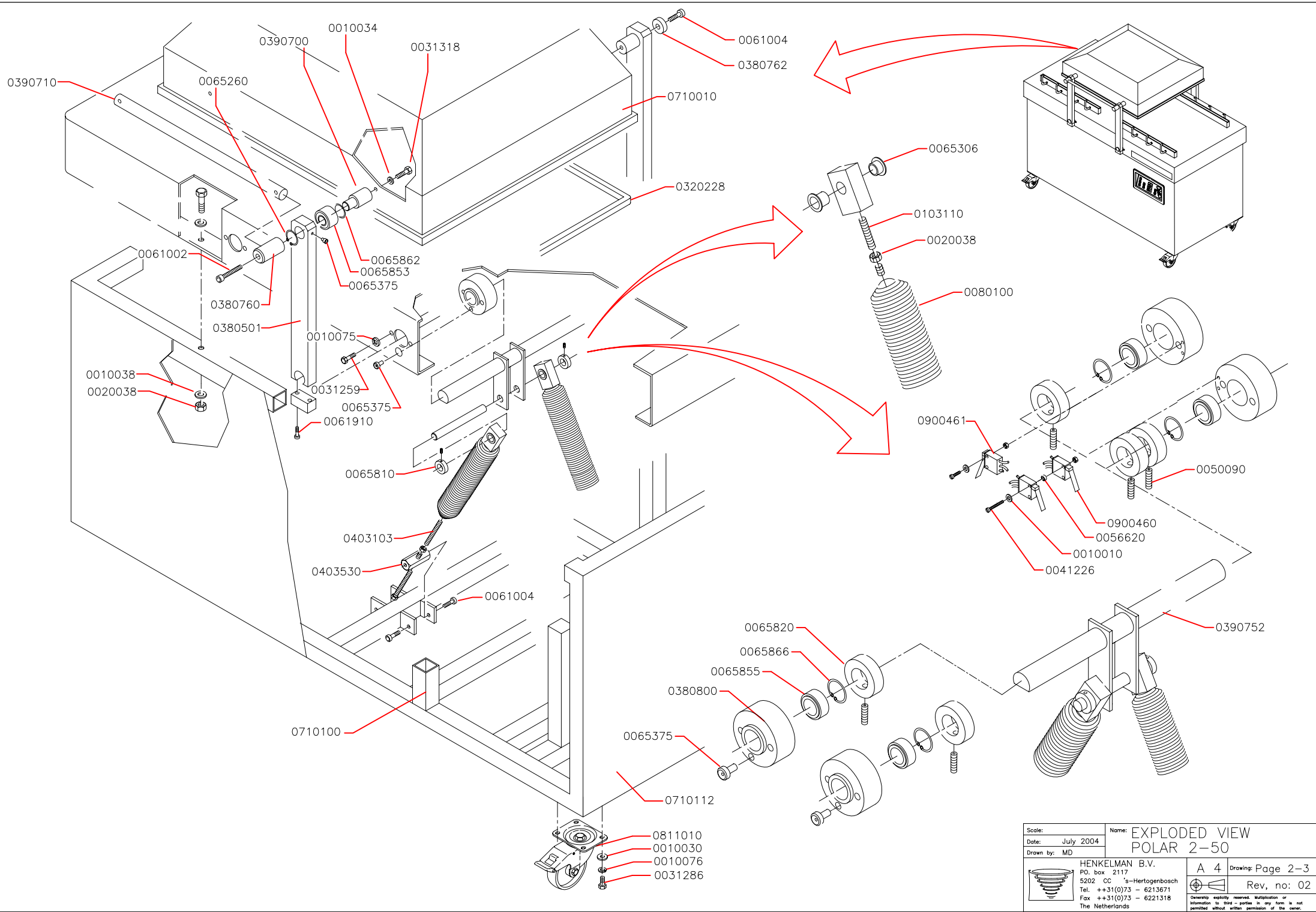



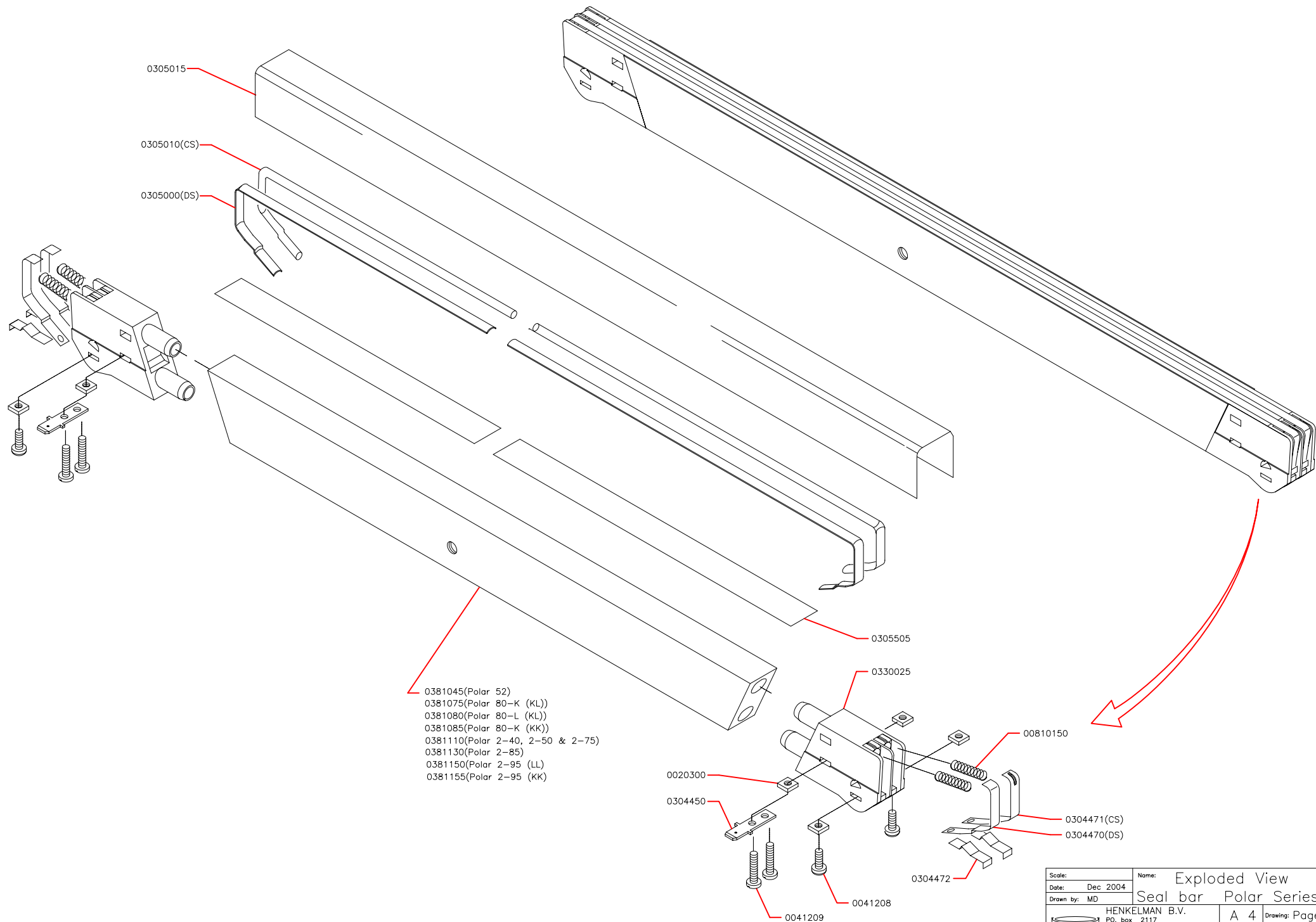
Scale:	Name: Exploded view
Date: July 2004	POLAR 2-50
Drawn by: MD	
HENKELMAN B.V. P.O. box 2117 5202 CC 's-Hertogenbosch Tel. ++31(0)73 - 6213671 Fax ++31(0)73 - 6221318 The Netherlands	
A 4	Drawing: Page 1-3
Rev. no: 02	
<small>Ownership explicitly reserved. Multiplication or information to third parties in any form is not permitted without written permission of the owner.</small>	



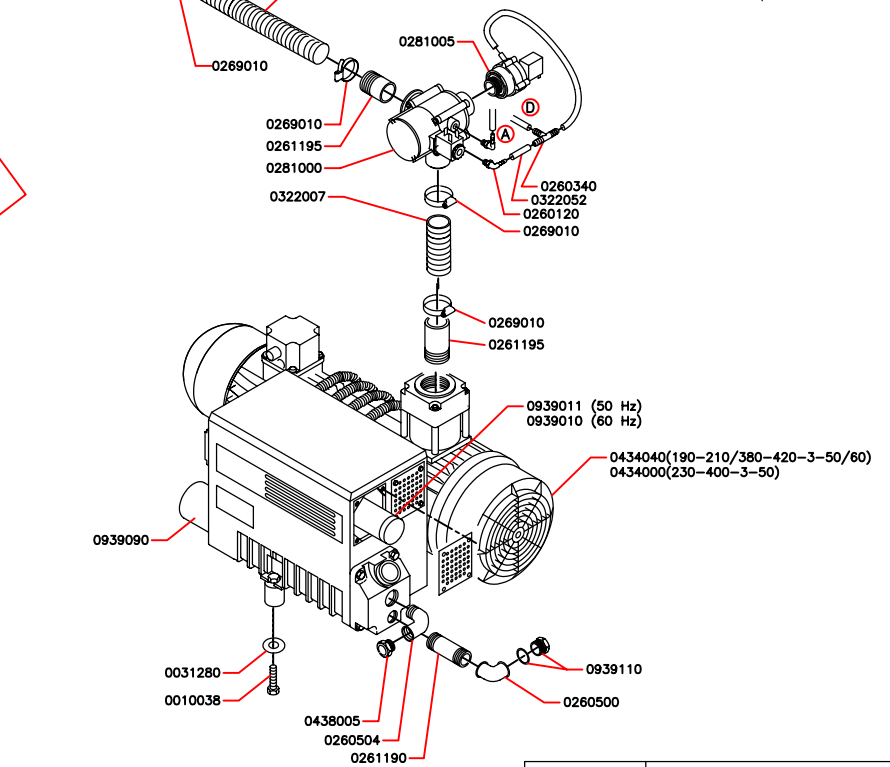
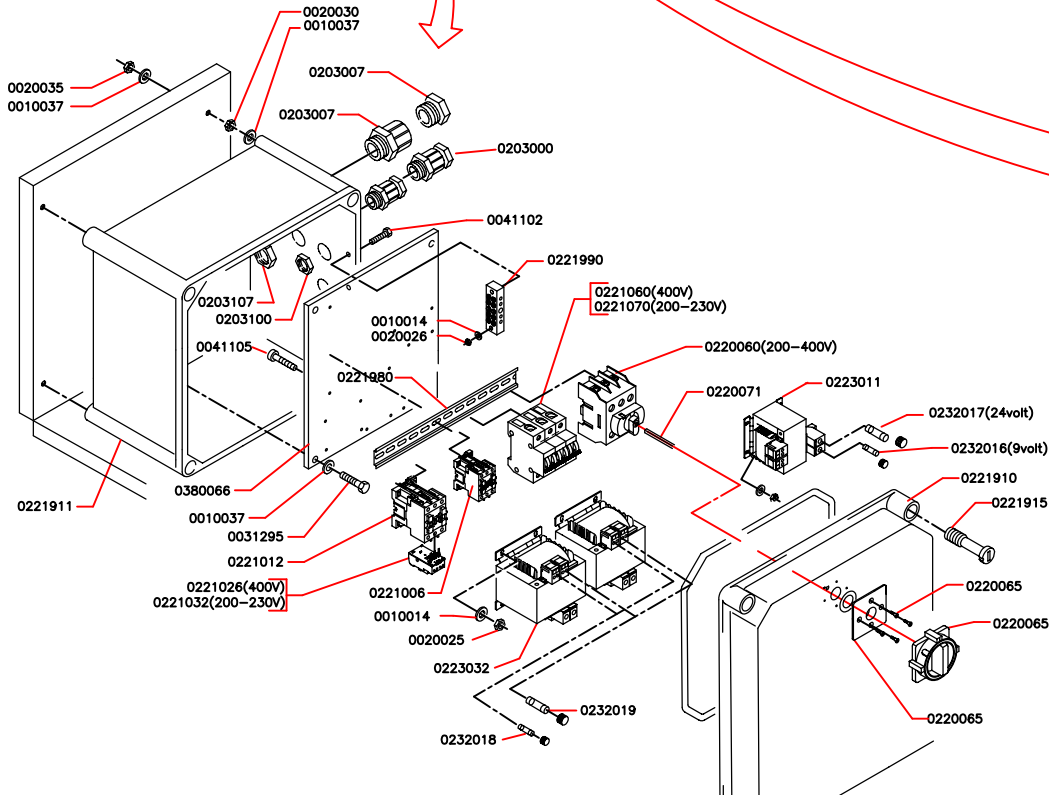
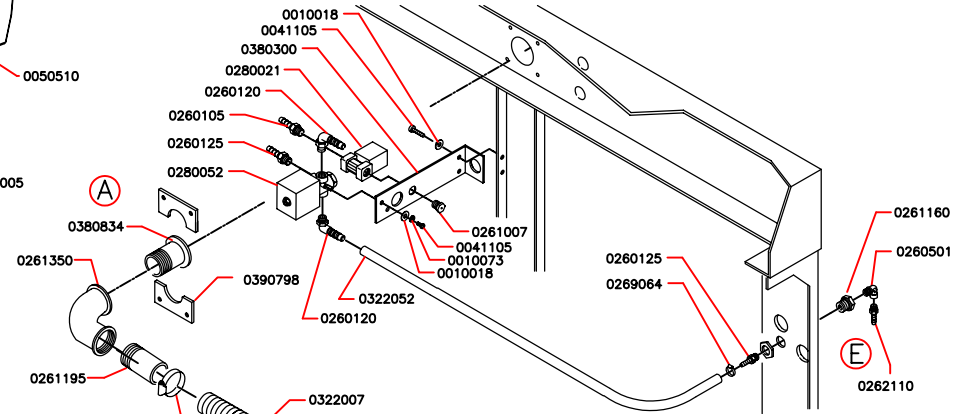
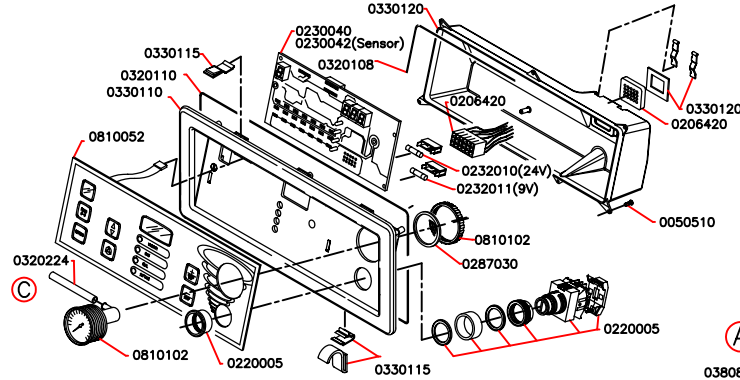
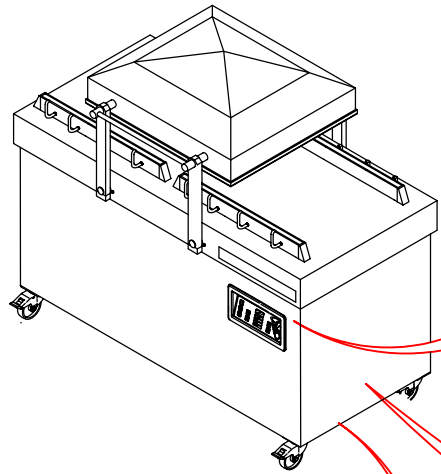
Scale:	Name: EXPLODED VIEW
Date: July 2004	POLAR 2-50
Drawn by: MD	
HENKELMAN B.V. P.O. box 2117 5202 CC 's-Hertogenbosch Tel. ++31(0)73 - 6213671 Fax ++31(0)73 - 6221318 The Netherlands	
A 4	Drawing: Page 3-3
Rev. no: 02	
Ownership explicitly reserved. Modification or information to third parties in any form is not permitted without written permission of the owner.	

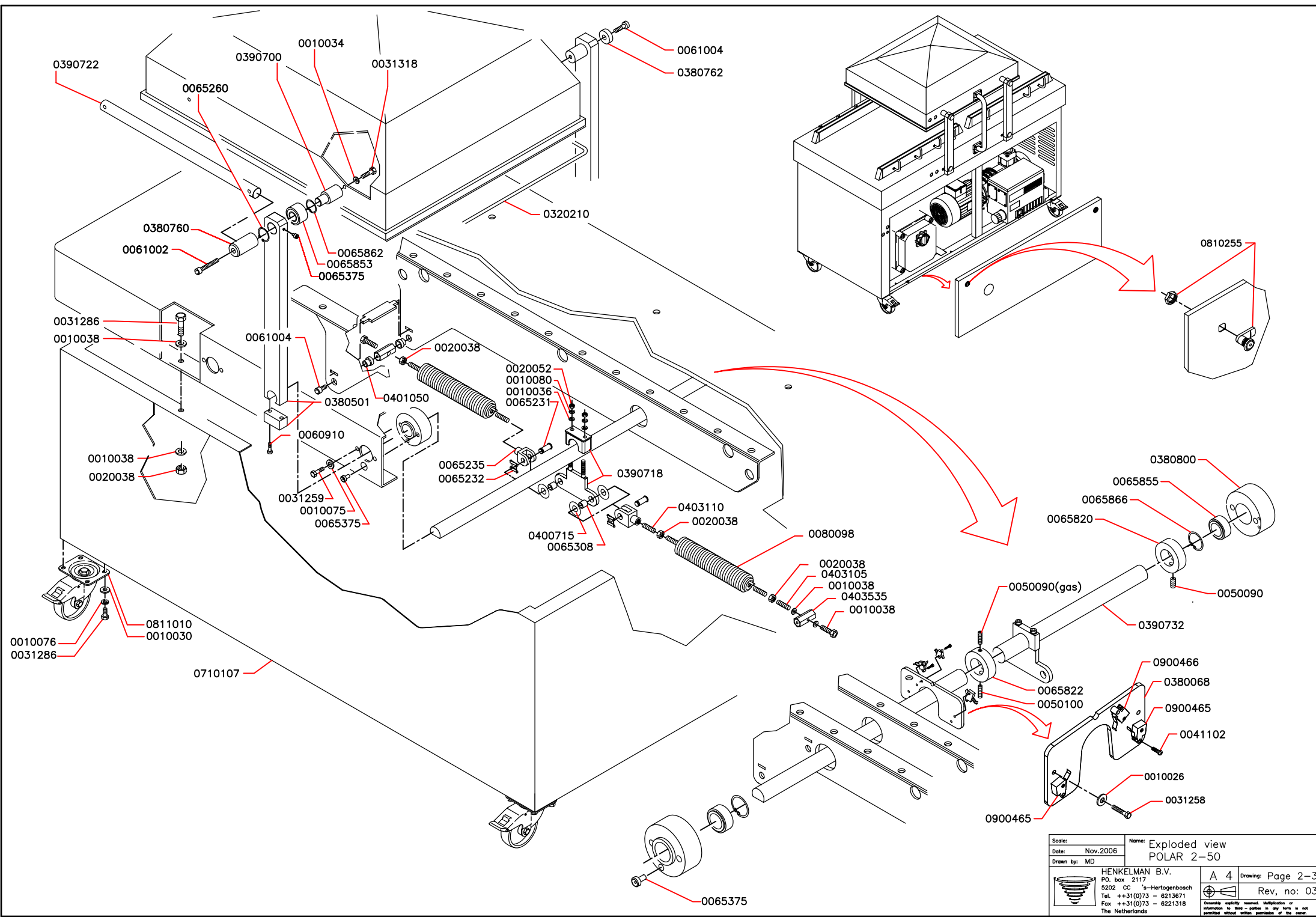


Scale:	Name: EXPLODED VIEW POLAR 2-50
Date: July 2004	
Drawn by: MD	
 HENKELMAN B.V. PO. box 2117 5202 CC 's-Hertogenbosch Tel. ++31(0)73 - 6213671 Fax ++31(0)73 - 6221318 The Netherlands	A 4 Drawing: Page 2-3
	Rev. no: 02
	<small>           Ownership explicitly reserved. Multiplication or            information to third parties in any form is not            permitted without written permission of the owner.         </small>

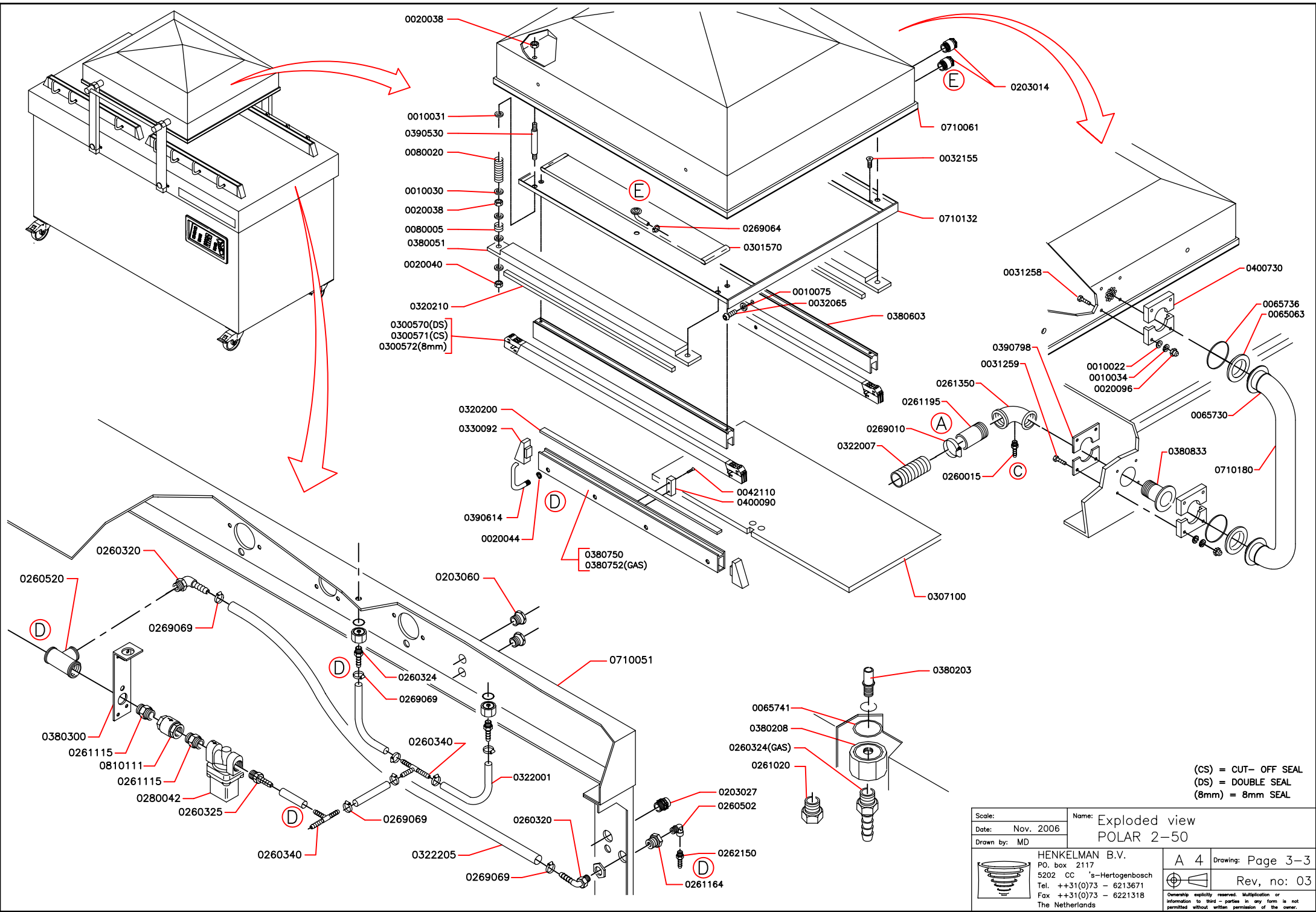


Scale:	Name:	Exploded View	
Date:	Dec 2004	Seal bar Polar Series	
Drawn by:	MD	A 4	Drawing: Page 1-1
HENKELMAN B.V. P.O. box 2117 5202 CC 's-Hertogenbosch Tel. ++31(0)73 - 6213671 Fax ++31(0)73 - 6221318 The Netherlands		Rev. 01 <small>Ownership explicitly reserved. Multiplication or information to third parties in any form is not permitted without written permission of the owner.</small>	





Scale:	Name:
Date: Nov.2006	Exploded view
Drawn by: MD	POLAR 2-50
HENKELMAN B.V.	
P.O. box 2117	
5202 CC 's-Hertogenbosch	
Tel. ++31(0)73 - 6213671	
Fax ++31(0)73 - 6221518	
The Netherlands	
A 4	Drawing: Page 2-3
Rev. no: 03	



0020038  
 0010031  
 0390530  
 0080020  
 0010030  
 0020038  
 0080005  
 0380051  
 0020040  
 0320210  
 0300570(DS)  
 0300571(CS)  
 0300572(8mm)

0710061  
 0032155  
 0710132  
 0269064  
 0301570  
 0010075  
 0032065  
 0380603

0320200  
 0330092  
 0390614  
 0020044  
 0380750  
 0380752(GAS)

0260320  
 0260520  
 0269069  
 0380300  
 0261115  
 0810111  
 0261115  
 0280042  
 0260325  
 0260340  
 0322001  
 0260320  
 0269069  
 0260340  
 0322205  
 0269069

0260320  
 0260520  
 0269069  
 0380300  
 0261115  
 0810111  
 0261115  
 0280042  
 0260325  
 0260340  
 0322001  
 0260320  
 0269069  
 0260340  
 0322205  
 0269069

0260320  
 0260520  
 0269069  
 0380300  
 0261115  
 0810111  
 0261115  
 0280042  
 0260325  
 0260340  
 0322001  
 0260320  
 0269069  
 0260340  
 0322205  
 0269069

0260320  
 0260520  
 0269069  
 0380300  
 0261115  
 0810111  
 0261115  
 0280042  
 0260325  
 0260340  
 0322001  
 0260320  
 0269069  
 0260340  
 0322205  
 0269069

0260320  
 0260520  
 0269069  
 0380300  
 0261115  
 0810111  
 0261115  
 0280042  
 0260325  
 0260340  
 0322001  
 0260320  
 0269069  
 0260340  
 0322205  
 0269069

0260320  
 0260520  
 0269069  
 0380300  
 0261115  
 0810111  
 0261115  
 0280042  
 0260325  
 0260340  
 0322001  
 0260320  
 0269069  
 0260340  
 0322205  
 0269069

0260320  
 0260520  
 0269069  
 0380300  
 0261115  
 0810111  
 0261115  
 0280042  
 0260325  
 0260340  
 0322001  
 0260320  
 0269069  
 0260340  
 0322205  
 0269069

0260320  
 0260520  
 0269069  
 0380300  
 0261115  
 0810111  
 0261115  
 0280042  
 0260325  
 0260340  
 0322001  
 0260320  
 0269069  
 0260340  
 0322205  
 0269069

0260320  
 0260520  
 0269069  
 0380300  
 0261115  
 0810111  
 0261115  
 0280042  
 0260325  
 0260340  
 0322001  
 0260320  
 0269069  
 0260340  
 0322205  
 0269069

0203014  
 0710061  
 0032155  
 0710132  
 0269064  
 0301570  
 0010075  
 0032065  
 0380603

0390798  
 0031259  
 0261350  
 0261195  
 0269010  
 0322007  
 0260015

0010022  
 0010034  
 0020096  
 0065736  
 0065063  
 0065730  
 0710180  
 0380833

0065730  
 0710180  
 0380833

0065730  
 0710180  
 0380833

0065730  
 0710180  
 0380833

0065730  
 0710180  
 0380833

0065730  
 0710180  
 0380833

0065730  
 0710180  
 0380833

0065730  
 0710180  
 0380833

0065730  
 0710180  
 0380833

(CS) = CUT-OFF SEAL  
 (DS) = DOUBLE SEAL  
 (8mm) = 8mm SEAL

Scale:	Name: Exploded view
Date: Nov. 2006	POLAR 2-50
Drawn by: MD	
HENKELMAN B.V. P.O. box 2117 5202 CC 's-Hertogenbosch Tel. ++31(0)73 - 6213671 Fax ++31(0)73 - 6221318 The Netherlands	A 4 Drawing: Page 3-3 Rev. no: 03