

**Kochgeräte  
Elektro Bain-Maries Serie 700**

Artikel-Nr. 135201, 135202, 135203, 135204  
(418031-151270PXI, -151450 PXI, -551270XI, -551450XI)

---

**Explosionszeichnung**

---

## SPARE PARTS CATALOGUE

### Introduction:

This catalog enables to recognize our appliances' main spare parts reading the single exploded views.

### How to look up in our catalogue :

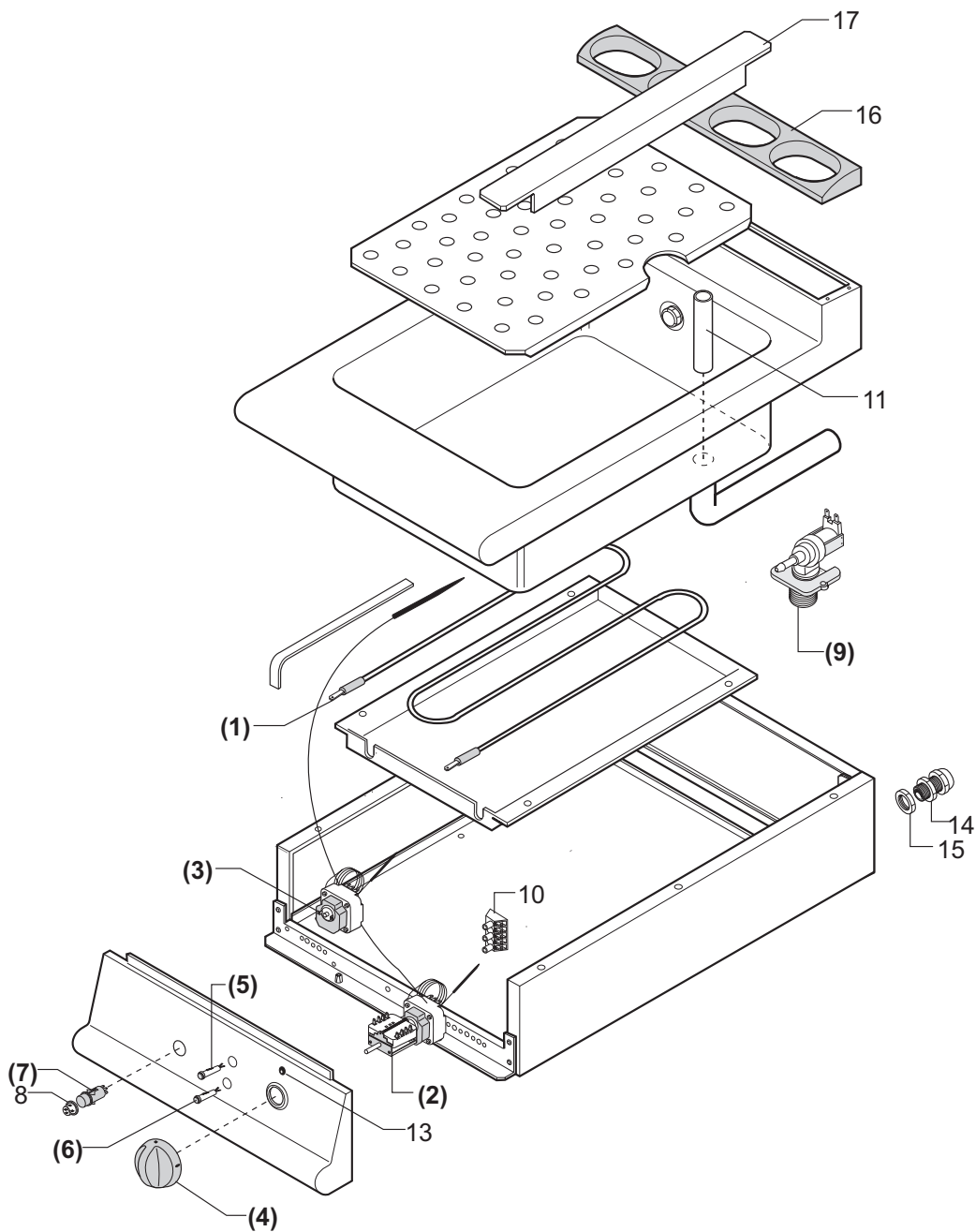
Hereunder we describe the correct method to look up in our catalogue, in order to locate the desired spare part in a quicker and more precise way.

**For Example:** You need the component's code-number of a gasrange with burners 1/1M.

- 1) Find the appliance's model and serial number on the rating plate.  
(The rating plates are positioned in the internal side of the control panel).
- 2) Search for the belonging family in the index (BCPxxx-(0B)) . (f.ex. Gasrange with burners - top 1/1M).
- 3) After you have found the corresponding table you verify if the appliance's serial number is subsequent to that one indicated in the table.
- 4) You locate the desired spare part in the drawing on the left, and find the corresponding position in the table on the right.
- 5) Hence you obtain the codenumber and the description of the spare part you need.

### LEGEND:

Position on the EXPLODED VIEW			X => Recommended spare part			
Article's codenr.		Technical description	Quantity x each model		Series	
					1/2M => L=40 cm.	
					1/1M => L=80 cm.	
					1+1/2M => L=120 cm.	
Pos	Codice	Descrizione	700	1/1M		
1	822410081	Medium burner head (Dm.102)		1		
2	822410051	Medium venturi duct (Dm.102)		1		
14	826920140	Pilot burner	x	2		



(.....) RICAMBIO CONSIGLIATO  
 (.....) SUGGESTED SPARE-PARTS

**BAGNOMARIA ELETTRICO (Serie 700 - 1/2M)**  
 ELECTRIC BAIN-MARIE (Serie 700 - 1/2M)

**Tav. Rif. BCP0070-(68)**

RIF. Da matricola n°  
 REF. From serial n°

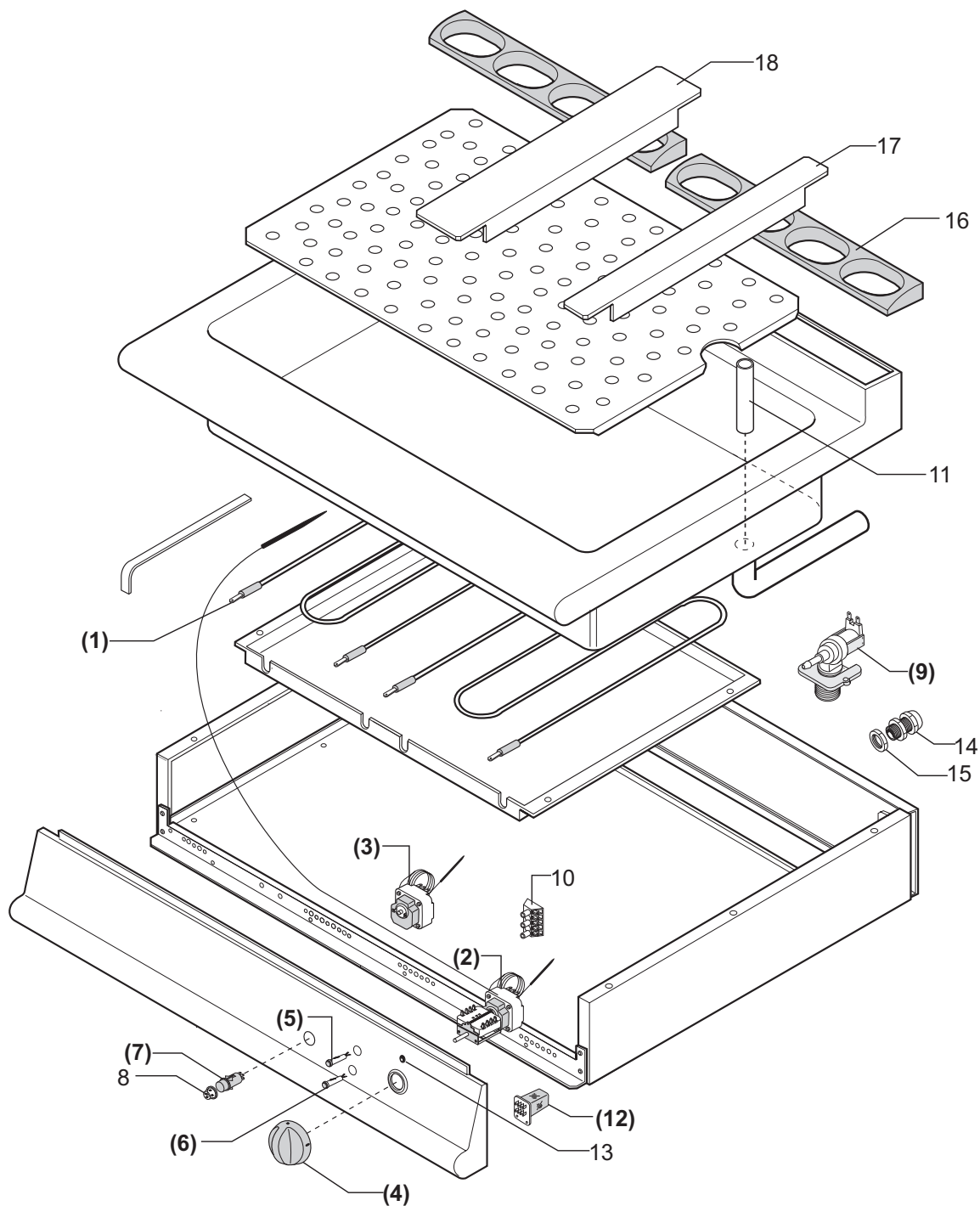
*Rev.00 del 16/06/1997*

**Baron Cucine Professionali S.r.l.**

RIPRODUZIONE, ANCHE PARZIALE, VIETATA

**BCP0070-(67)**





(.....) RICAMBIO CONSIGLIATO  
 (.....) SUGGESTED SPARE-PARTS

**BAGNOMARIA ELETTRICO (Serie 700 - 1/1M)**  
 ELECTRIC BAIN-MARIE (Serie 700 - 1/1M)

**Tav. Rif. BCP0070-(70)**

RIF. Da matricola n°  
 REF. From serial n°

Rev.00 del 16/06/1997

