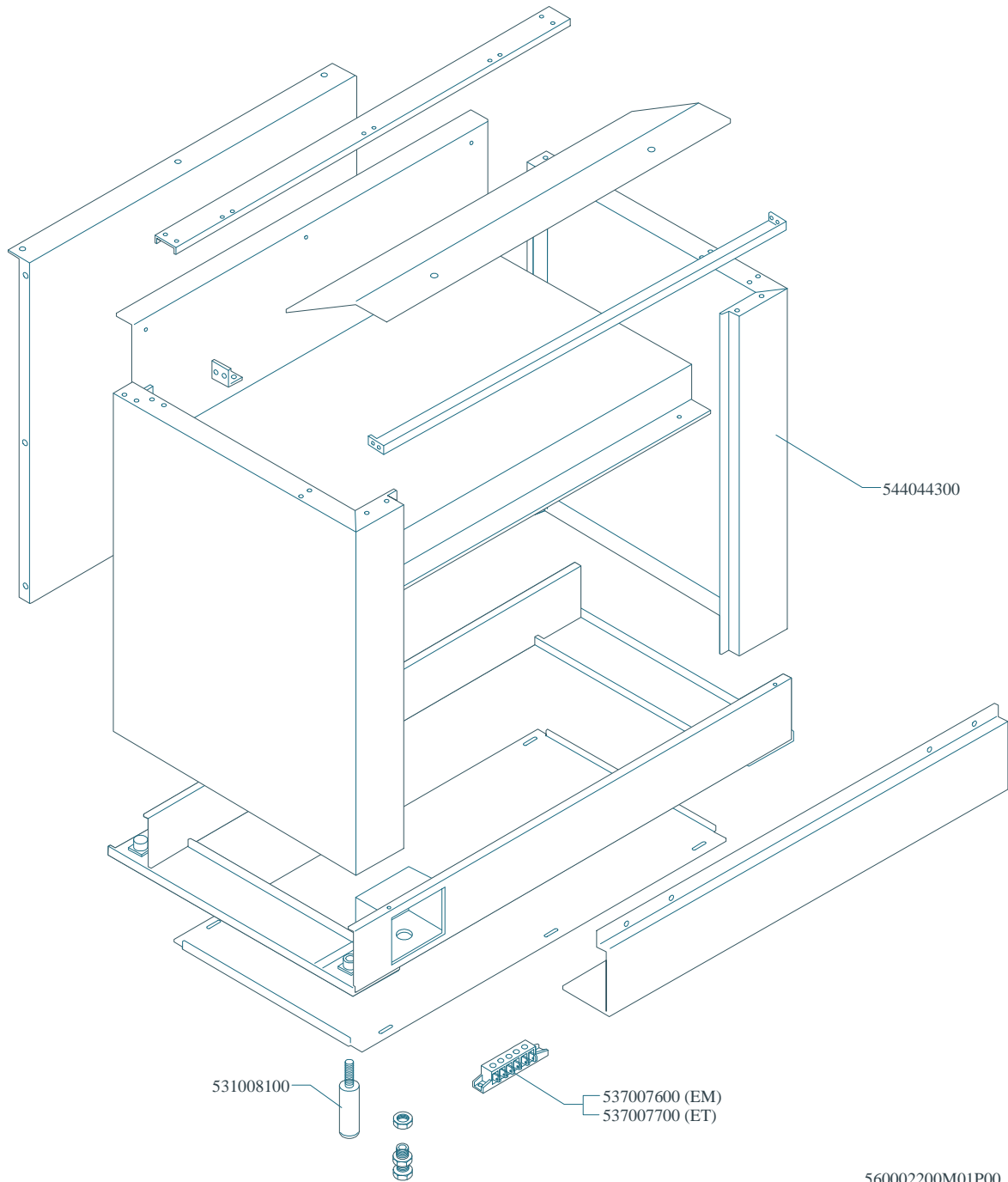


# MAGIC SNACK 60

CUCINE / RANGES / HERDE / CUISINIÈRES / N° 0309  
CF-10/6

CF-10EM/6 CF-10ET/6 CFM-10EM/6 CFM-10ET/6

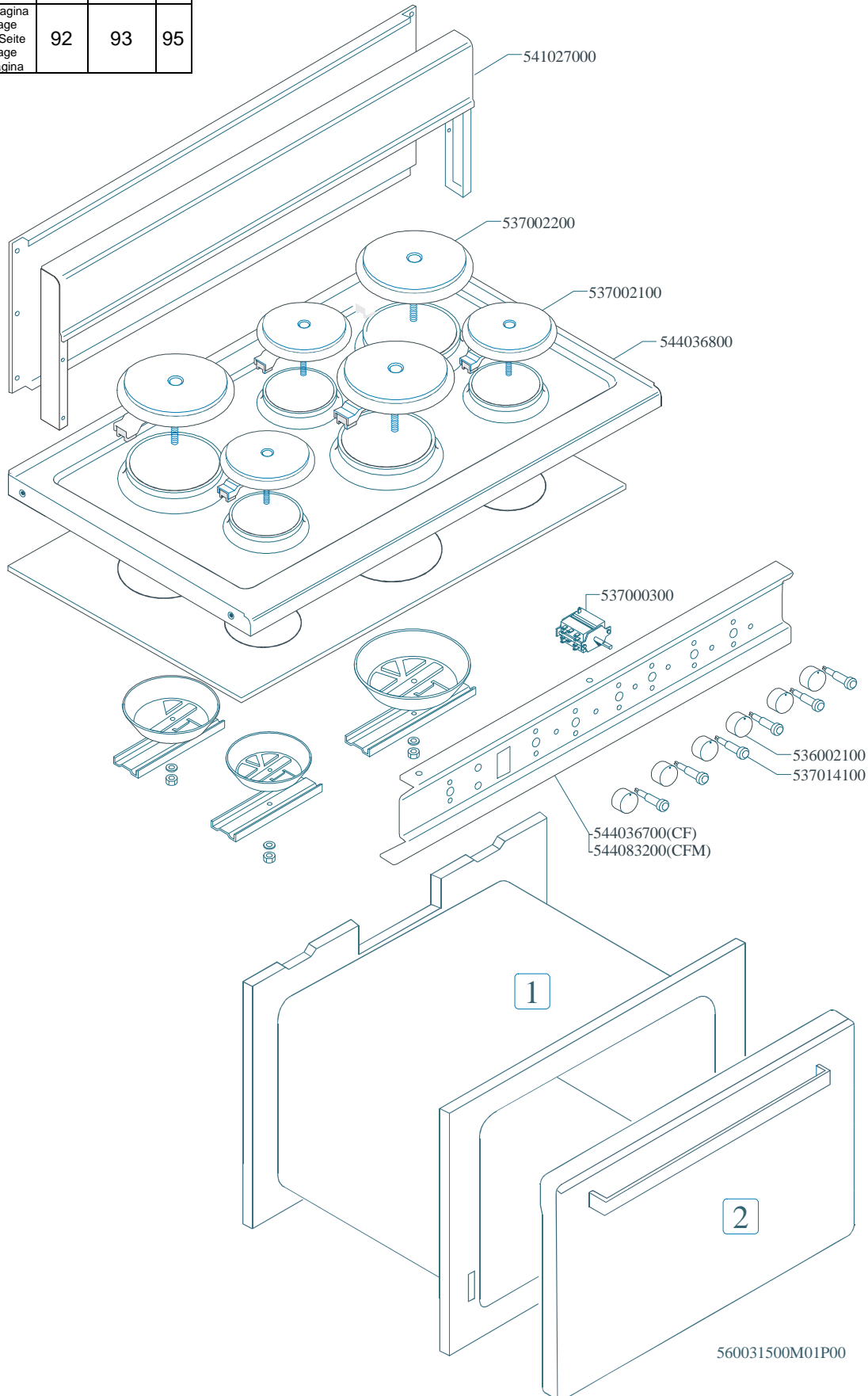


# MAGIC SNACK 60

CUCINE / RANGES / HERDE / CUISINIÈRES / N° 0309  
CF-10/6

CF-10EM/6 CF-10ET/6 CFM-10EM/6 CFM-10ET/6

|   | 1CF | 1CFM | 2  |
|---|-----|------|----|
| Vedi Pagina<br>See Page<br>Siehe Seite<br>Voir Page<br>Ver Pàgina | 92  | 93   | 95 |

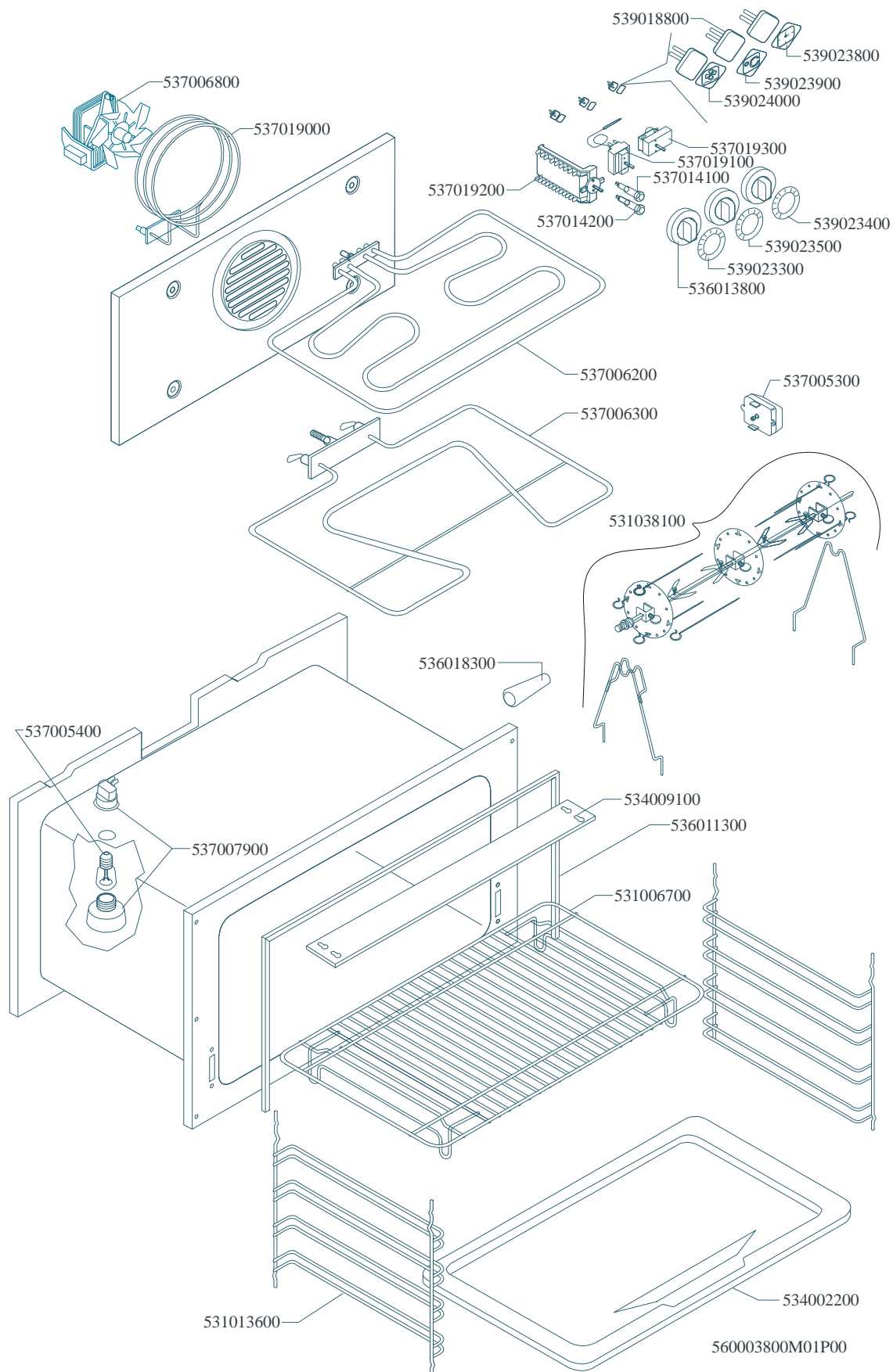


# MAGIC SNACK 60

CUCINE / RANGES / HERDE / CUISINIÈRES / N° 0309

FORNO / OVEN / BACKOFEN / FOUR / CF-8 10 10/6

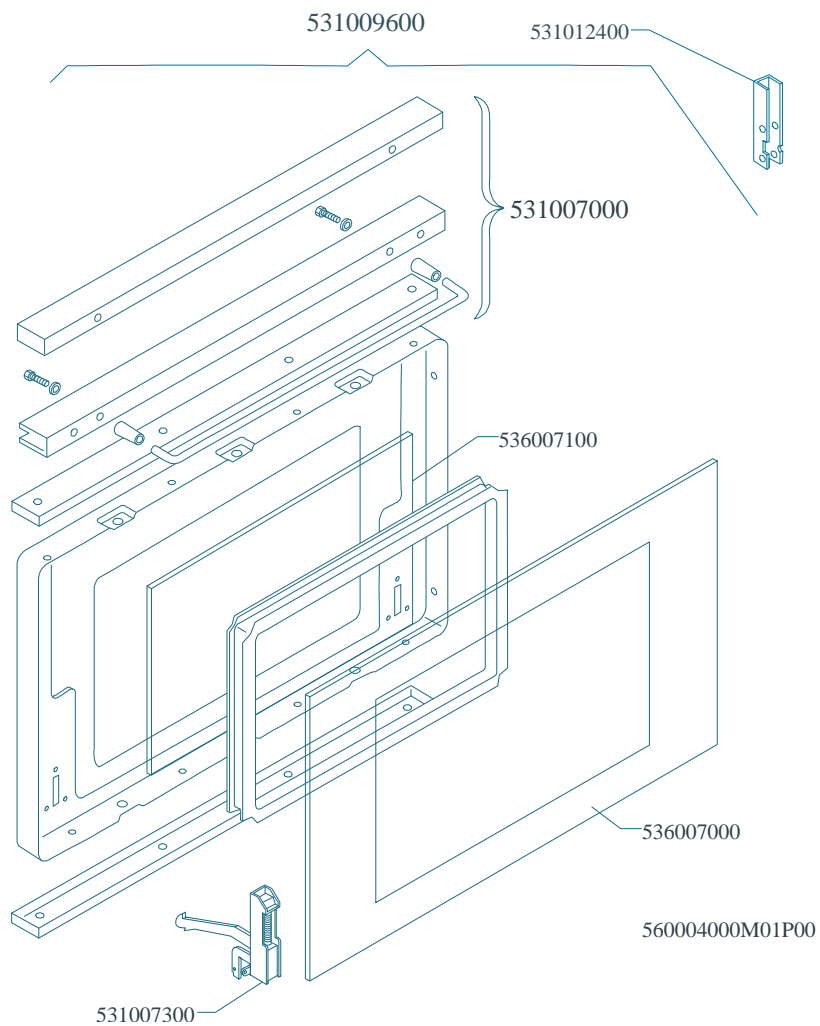
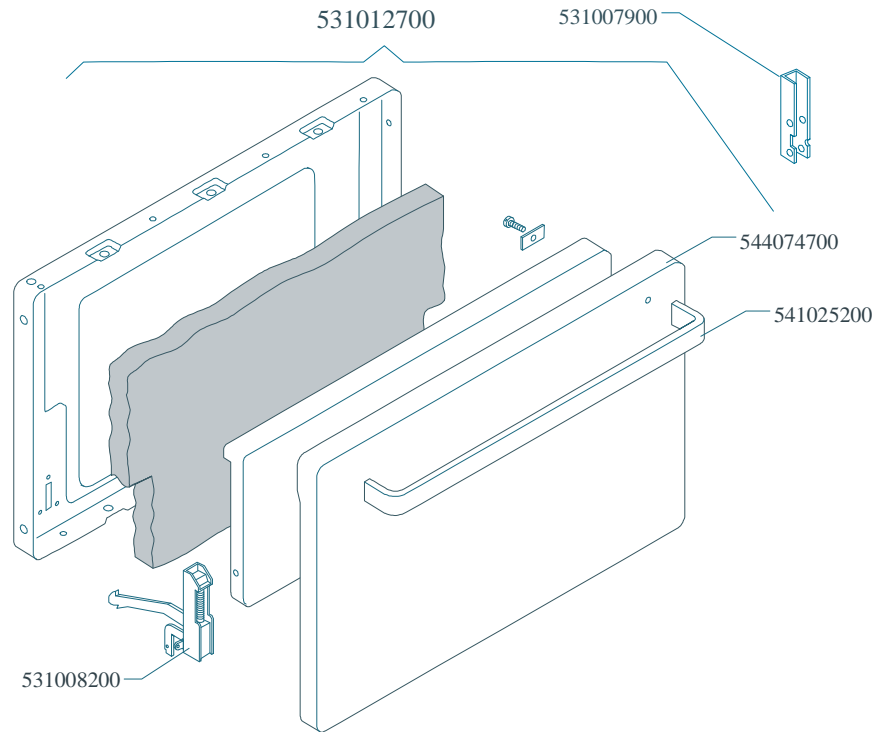
ELETTORICO MULTIFUNZIONE / MULTIFUNCTION ELECTRIC / MULTIFUNKTIONS  
ELEKTRO / ELECTRIQUE A FONCTIONS MULTIPLES



# MAGIC SNACK 60

CUCINE / RANGES / HERDE / CUISINIÈRES / N° 0309  
FORNO / OVEN / BACKOFEN / FOUR / CF-8 10 10/6

## PORTE / DOORS / TÜREN / PORTES



| Page | Pos | Code      | Description                         |
|------|-----|-----------|-------------------------------------|
| 001  |     | 544044300 | SIDE 1000 RANGE                     |
| 001  |     | 531008100 | ADJUSTABLE LEG H9 CHROME            |
| 001  |     | 537007600 | TERMINAL BLOCK SINGLEPHASE 40A      |
| 002  |     | 541027000 | NEUTRAL SPACER 1000                 |
| 002  |     | 537002200 | ELECTRICAL PLATE D.180 W1500 V230   |
| 002  |     | 537002100 | ELECTRICAL PLATE D.145 W1000 V230   |
| 002  |     | 544036800 | UPPER PLATE CF-10E/6                |
| 002  |     | 537000300 | COMMUTATOR 7 POSITIONS S.49 16A     |
| 002  |     | 536002100 | KNOB 7 POSITIONS SNACK              |
| 002  |     | 537014100 | WHITE WARNING LIGHT 250V            |
| 002  |     | 544083200 | CONTROL PANEL CFM-10ET/6            |
| 003  |     | 539018800 | INDEX FOR OVEN KNOB                 |
| 003  |     | 539023800 | SIGN PLATE FOR OVEN TIMER           |
| 003  |     | 539023900 | SIGN PLATE FOR OVEN TEMPERATURE     |
| 003  |     | 539024000 | SIGN PLATE FOR OVEN SELECTOR        |
| 003  |     | 537019300 | TIMER FOR MULTIFUNCTION OVEN        |
| 003  |     | 537019100 | THERMOSTAT FOR MULTIFUNCTION OVEN   |
| 003  |     | 537014100 | WHITE WARNING LIGHT 250V            |
| 003  |     | 537014200 | GREEN WARNING LIGHT 250V            |
| 003  |     | 537019200 | SELECTOR FOR MULTIFUNCTION OVEN     |
| 003  |     | 537006800 | FAN 240V CF-62                      |
| 003  |     | 537019000 | CIRCULAR HEATING ELEMENT FOR OVEN   |
| 003  |     | 539023400 | ADHESIVE GRADUATED DISC F.KNOB      |
| 003  |     | 539023500 | ADHESIVE GRAD.DISC *E.MULTIF.TERM.  |
| 003  |     | 539023300 | ADHESIVE GRADUATED DISC FOR KNOB    |
| 003  |     | 536013800 | KNOB D.70 BLACK 6*5 WITH SPRING     |
| 003  |     | 537006200 | UPPER OVEN HEATING EL.1000+2000W    |
| 003  |     | 537006300 | LOWER OVEN HEATING EL.W1750 230CF8/ |
| 003  |     | 537005300 | MOTOR FOR SPIT CF-8/10              |
| 003  |     | 531038100 | SPIT FOR MAXI MULTIF. NEW OVEN      |
| 003  |     | 536018300 | GRIP FOR ROTATING SPIT              |
| 003  |     | 537005400 | OVEN BULB 15W 300°C                 |
| 003  |     | 534009100 | GRILL PROTECTION CF-8/10            |
| 003  |     | 536011300 | OVEN GASKET CF-8/10                 |
| 003  |     | 537007900 | OVEN BULB-SOCKET                    |
| 003  |     | 531006700 | OVEN GRID FOR CF-8/10               |
| 003  |     | 534002200 | OVEN DRIPPING-PAN CF-8/10           |
| 003  |     | 531013600 | SIDE GRID FOR MAXI/VENTILATED OVEN  |
| 004  |     | 531012700 | STAINLESS STEEL OVEN DOOR CF-8/10   |
| 004  |     | 531007900 | STAINLESS STEEL DOOR WHEEL HOLDER   |
| 004  |     | 544074700 | STAINLESS STEEL OVEN DOOR PANEL     |
| 004  |     | 541025200 | STAINLESS STEEL OVEN DOOR HANDLE    |
| 004  |     | 531008200 | STAINLESS STEEL DOOR HINGE CF-8/10  |
| 004  |     | 531009600 | COMPLETE GLASS OVEN DOOR            |
| 004  |     | 531012400 | GLASS DOOR WHEEL HOLDER CF-8/10     |
| 004  |     | 531007000 | OVEN GLASS DOOR HANDLE CF-8/10      |
| 004  |     | 536007100 | INTERNAL GLASS OVEN DOOR CF-8/10    |
| 004  |     | 536007000 | EXTERNAL GLASS OVEN DOOR CF8/10     |
| 004  |     | 531007300 | GLASS DOOR HINGE CF-8/10            |