

N.B.: La tavola si completa con la successiva n° See table No. Voir tableau n° Wichtig: S. folgender Plan Nr.

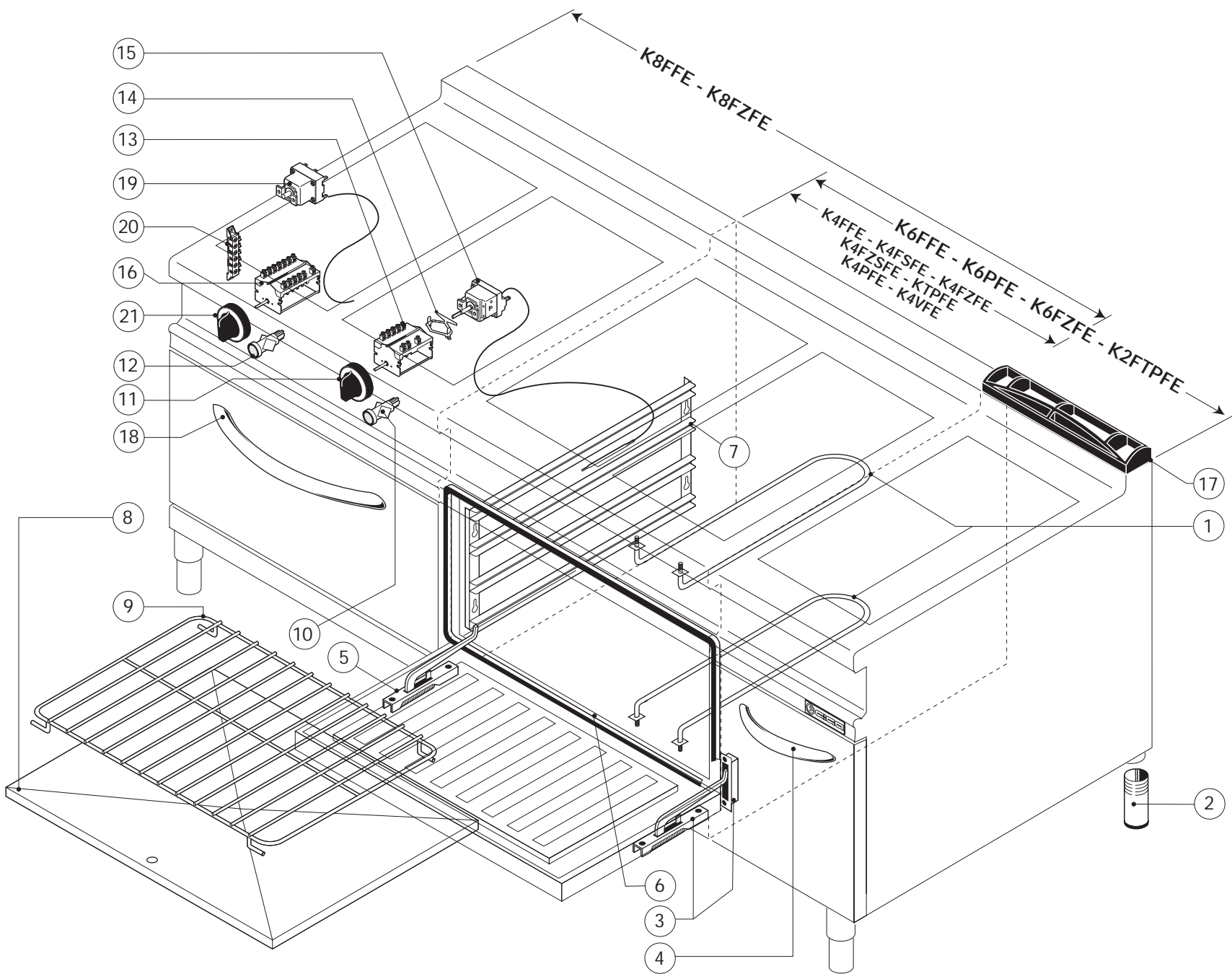
| | | | | |
|-----------------------|---|----------------------------------|--------------------------------|----------------------|
| → 3E01-003 K4FSFCE | → 3E01-012 K4ZFCE - K6ZFCE K8ZFCE - K4ZSFCE | → 3E01-014 KTPFCE K2FTPFCE | → 3E01-015 K4PFCE K6PFCE | → 3E01-016 K4VFCE |
|-----------------------|---|----------------------------------|--------------------------------|----------------------|

3E01-007

| |
|--|
| K4ZFCE - K4ZSFCE - K4FSFCE KTPFCE - K2FTPFCE - K4PFCE K4VFCE - K6ZFCE - K6PFCE K8ZFCE |
|--|



| Pezzi/Pieces Pieces/Anzahl | | | | | | | | | | Pos. | Validità dalla matricola Validité du numéro matricule Validity from serial number Gültigkeit ab der (Seriennummer) | Validità alla matricola Validity up to serial number Validité au numéro matricule Gültigkeit bis zur (Seriennummer) | Codice Code Artikel Nummer | Descrizione | Description | Description | Beschreibung |
|-------------------------------|--------|--------|--------|-------|---------|--------|----------|--------|--------|------|---|--|-------------------------------------|----------------------|-------------------|--------------------------|------------------------|
| K4FSFCE | K4FZFC | KTPFCE | K4PFCE | K4VFC | K4ZSFCE | K6FZFC | K2FTPFCE | K6PFCE | K8FZFC | | | | | | | | |
| 1 | 1 | 1 | 1 | 1 | 1 | 1 | 1 | 1 | 1 | 2 | 1 | | X50900 | Lampada verde | Green light | Lampe vert | Grüne Kontrollampe |
| 1 | 1 | 1 | 1 | 1 | 1 | 1 | 1 | 1 | 1 | 2 | 2 | | X68204 | Commutatore | Selector switch | Commutateur | Schalter |
| 1 | 1 | 1 | 1 | 1 | 1 | 1 | 1 | 1 | 1 | 2 | 3 | | 0000X65008 | Manopola commutatore | Selector knob | Bouton commutat. | Umschaltknopf |
| 1 | 1 | 1 | 1 | 1 | 1 | 1 | 1 | 1 | 1 | 2 | 4 | | 0000X65004 | Manopola termostato | Knob thermostat | Cle de commande thermoc. | Drehknop thermostat |
| 1 | 1 | 1 | 1 | 1 | 1 | 1 | 1 | 1 | 1 | 2 | 5 | | 1000X05600 | Guarnizione porta | Door seal | Joint porte | Türdichtung |
| 1 | 1 | 1 | 1 | 1 | 1 | 1 | 1 | 1 | 1 | 2 | 6 | | X68205 | Termostato | Oven thermostat | Thermostat | Thermostat |
| 1 | 1 | 1 | 1 | 1 | 1 | 1 | 1 | 1 | 1 | 2 | 7 | | X41200 | Lampada gialla | Yellow light | Lampe jaune | Gelbe kontrollampe |
| 2 | 2 | 2 | 2 | 2 | 2 | 2 | 2 | 2 | 2 | 4 | 8 | | V05900 | Reggigriglia sx/dx | R.H. grid support | Appui grille gauche | Oberer heizwiderstand |
| 1 | 1 | 1 | 1 | 1 | 1 | 1 | 1 | 1 | 1 | 2 | 9 | | X66100 | Cerniera sx | L.H. hinge | Charniere gauche | Rostauflegeschiene L. |
| 1 | 1 | 1 | 1 | 1 | 1 | 1 | 1 | 1 | 1 | 2 | 10 | | X68203 | Resistenza inferiore | Bottom resistance | Resistance inferieure | Unterer heizwiderstand |
| 1 | 1 | 1 | 1 | 1 | 1 | 1 | 1 | 1 | 1 | 2 | 11 | | G11PF | Griglia | Grid | Grille | Rost |
| 1 | 1 | 1 | 1 | 1 | 1 | 1 | 1 | 1 | 1 | 2 | 12 | | X66000 | Cerniera dx | R.H. hinge | Charniere droite | Scharnier rechts |
| 1 | 1 | 1 | 1 | 1 | 1 | 1 | 1 | 1 | 1 | 2 | 13 | | X68202 | Resistenza superiore | Top resistance | Resistance superieure | Oberer heizwiderstand |
| 1 | 1 | 1 | 1 | 1 | 1 | 1 | 1 | 1 | 1 | 2 | 14 | | V03000 | Motoventilatore | Electric fan | Moto-ventilateur | Motorventilator |
| 1 | 1 | 1 | 1 | 1 | 1 | 1 | 1 | 1 | 1 | 2 | 15 | | V05400 | Isolamento | Insulation | Isolation | Isolierung |
| 1 | 1 | 1 | 1 | 1 | 1 | 1 | 1 | 1 | 1 | 2 | 16 | | Y65700 | Maniglia forno | Oven handle | Poignée four | Backofengriff |
| 1 | 1 | 1 | 1 | 1 | 1 | 1 | 1 | 1 | 1 | 2 | 17 | | X68002 | Resistenza | Resistance | Resistance | Resistenz |
| 1 | 1 | 1 | 1 | 1 | 1 | 1 | 1 | 1 | 1 | 2 | 18 | | X59000 | Morsettiera | Terminal board | Barrette de raccordement | Klemmleiste |
| 4 | 4 | 4 | 4 | 4 | 4 | 4 | 4 | 4 | 4 | 4 | 19 | | Y40400 | Piedino | Foot | Pied | Fuss |
| | | | | | | | | | | | | | | | | | |



N.B.: La tavola si completa con la successiva n° - See table No. - Voir tableau n° - Wichtig: S. folgender Plan Nr.

• 3E01-003
K4FFE - K6FFE - K8FFE
K4FSFE

• 3E01-012
K4FZFE - K6FZFE
K8FZFE - K4FZSFE

• 3E01-014
K2FTPFE

• 3E01-015
K4PFE - K6PFE
• 3E01-016
K4VFE

3E01-005

K4FFE-K4FSFE-K4FZFE-K4ZSFE-K2FTPFE
K6FFE-K6FZFE-K2FTPFE-K8FFE-K8FZFE
K4PFE - K6PFE - K4VFE



| Pezzi/Pieces Pieces/Anzahl | | | Pos. | Validità dalla matricola Validité du numéro matricule Validity from serial number Gültigkeit ab der (Seriennummer) | Validità alla matricola Validity up to serial number Validité au numéro matricule Gültigkeit bis zur (Seriennummer) | Codice Code Artikel Nummer | Descrizione | Description | Description | Beschreibung |
|--|---|-----------------|------|---|--|-------------------------------------|---------------------------|--------------------------|------------------------------|--------------------------|
| K4FZFE K4FFE K4FZSFE K4FSFE KTPFE K4VFE | K6FZFE K6FFE KFSFE K2FTPF K6PFE | K8FZFE K8FFE | | | | | | | | |
| 6 | 6 | 12 | 1 | | | X47000 | Resistenza | Resistance | Resistance | Resistenz |
| 4 | 4 | 4 | 2 | | | Y40400 | Piedino | Foot | Pied | Fuss |
| 1 | 1 | 2 | 3 | | | X66000 | Cerniera dx | R. H. Hinge | Charniere droite | Scharnier rechts |
| | 1 | | 4 | | | Y65500 | Maniglia porta | Door handle | Pognée four | Turgriff |
| 1 | 1 | 2 | 5 | | | X66100 | Cerniera sx | L. H. Hinge | Charniere gauche | Scharnier links |
| 1 | 1 | 2 | 6 | | | 0000X05600 | Guarnizione porta | Door seal | Joint porte | Türdichtung |
| 2 | 2 | 4 | 7 | | | B85500 | Reggigriglia dx-sx | L.H.-R.H. Grid support | Appui grille droite/gauche | Rostauflegeschiene R.-L. |
| 1 | 1 | 2 | 8 | | | B88700 | Suola forno elettrico | Electric oven floor | Sole four électrique | Boden Elektroofen |
| 1 | 1 | 2 | 9 | | | G21P | Griglia | Grid | Grille | Rost |
| 1 | 1 | 2 | 10 | | | X50900 | Lampada verde | Green light | Lampe vert | Grüne Kontrollampe |
| 1 | 1 | 2 | 11 | | | 0000Y65004 | Manopola temperatura | Oven temp. | Cle de commande temper. | Drehknopf temp. |
| 1 | 1 | 2 | 12 | | | X41200 | Lampada gialla | Yellow light | Lampe jaune | Gelbe Kontrollampe |
| 1 | 1 | 2 | 13 | | | X49700 | Commutatore | Selector switch | Commutateur | Schalter |
| 1 | 1 | 2 | 14 | | | X44600 | Staffa per collegamento | Connecting bracket | Collier de raccordement | Anschlussbügel |
| 1 | 1 | 2 | 15 | | | X43200 | Termostato 50-300°C forno | Oven thermostat 50-300°C | Thermostat 50-300°C four | Thermostat 50-300°C Ofen |
| 1 | 1 | 2 | 16 | | | X44100 | Commutatore 4 posizioni | 4-Pos. selector switch | Commutateur 4 positions | 4 Positionenschalte |
| 1 | 1 | 2 | 17 | | | 1550Y63500 | Griglia scarico fumi | Smoke discharge grid | Grille évacuation des fumées | Rauchblassgitter |
| 1 | 1 | 2 | 18 | | | Y65700 | Maniglia forno | Oven handle | Poignée four | Backofengriff |
| 1 | 1 | 2 | 19 | | | X44800 | Termostato di sicurezza | Safety thermostat | Thermostat de securite | Sicherheitsthermostat |
| 1 | 1 | 1 | 20 | | | X59200 | Morsettiera | Terminal board | Barrette de raccordement | Klemmleiste |
| 1 | 1 | 2 | 21 | | | 0000Y65011 | Manopola 4 posizioni | 4 position knob | Manette 4 positions | Schaltknopf 4 Positionen |