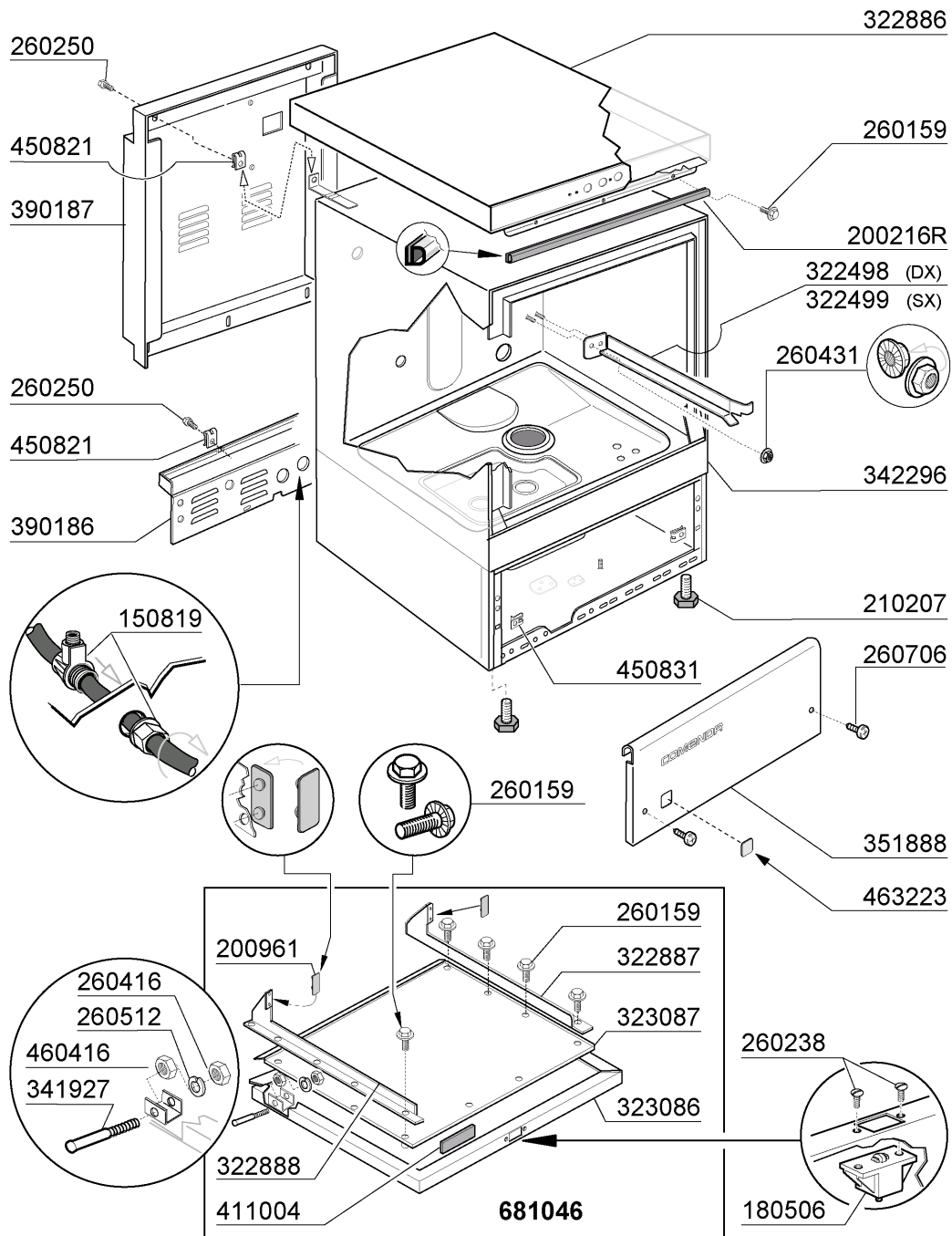


Spare Parts Catalogue LF322 RCD

- 1 - Hood/Tank
- 2 - Hood / Tank
- 3 - Tank
- 4 - Wash arm
- 5 - Wash Column
- 6 - Rinse assembly
- 7 - Pump
- 8 - Thermostat/solenoid valve group
- 9 - Control box
- 10 - Rinse aid injector
- 11 - Drain pump
- 12 - Detergent dispenser

1 - Hood/Tank



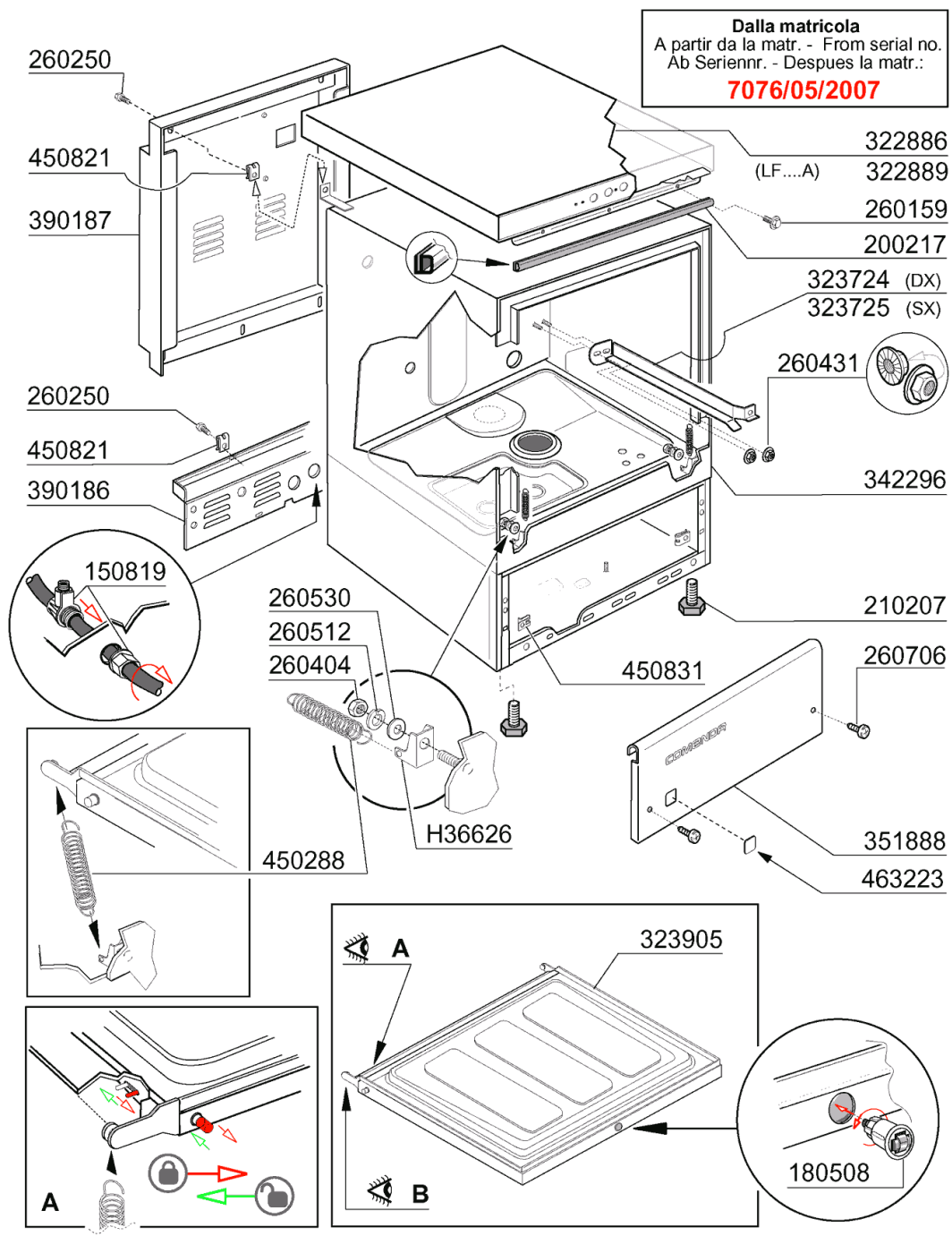
10 - 2006 | S. AG.

NEW
2006

1 - Hood/Tank

CODE	DESCRIPTION
150819	CABLE HOLDER PG16 WITH HOLE
180506	DOOR CATCH BR-BC-FC
200216R	DOOR GASKET LF
200961	PAD FOR DOOR
210207	FOOT BHC
260159	SCREW
260238	M4 X 10 MUSH/HD SCREW
260250	SCREW TB 5X20
260416	STAINLESS STEEL NUTS M6
260431	NUT M5 DIN 6923
260512	ST/ST GROWER WASHER D6
260706	SCREW 3,9X13 S/S
322498	RIGHT RUNNER LF2004
322499	LEFT RUNNER LF2004
322886	COVER LF2004
322887	RIGHT DOOR RUNNER LF2004
322888	LEFT DOOR RUNNER LF 2004
323086	DOOR FRONT PANEL LF 2004
323087	DOOR BACK PANEL LF 2004
341927	DOOR PIN
342296	HOOD
351888	FRONT PANEL LF2004
390186	PANEL
390187	BACK PANEL LF BT
411004	PERMANENT MAGNET FOR MICROSUIT
450821	SPRING CLIP FASTENER SNU 3634
450831	SCREW SUPPORT
460416	-PANNELLO AUTOAD.X COIB.
463223	SELF ADHESIVE SYMBOL LF322BT
681046	COMPLETE DOOR LF

2 - Hood / Tank



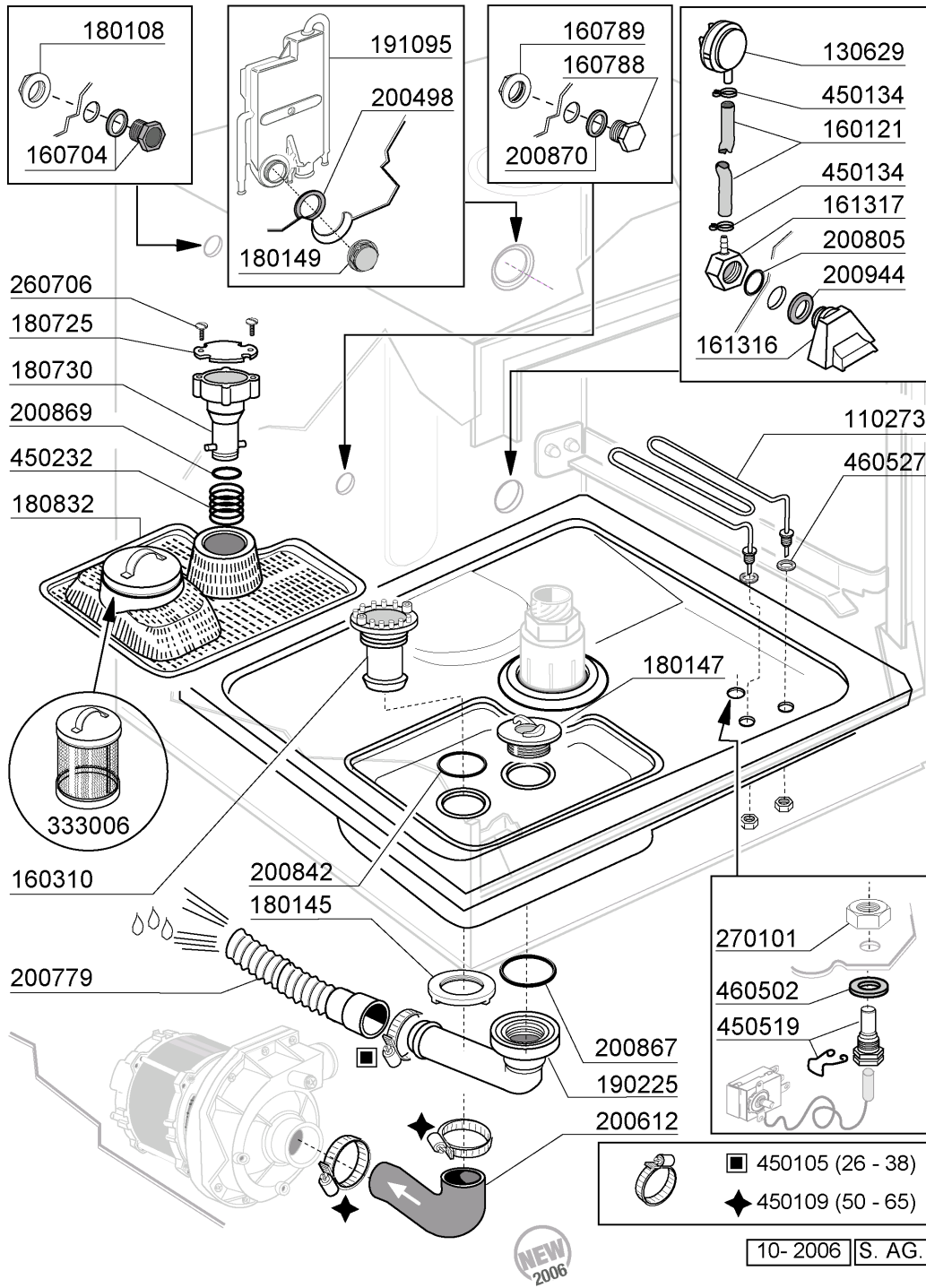
10 - 2007 | S. AG.

NEW
2007

2 - Hood / Tank

CODE	DESCRIPTION
150819	CABLE HOLDER PG16 WITH HOLE
180508	DOOR CATCH
200217	DOOR JOINT
210207	FOOT BHC
260159	SCREW
260250	SCREW TB 5X20
260404	STAINLESS STEEL NUTS D6 UNI 55
260431	NUT M5 DIN 6923
260512	ST/ST GROWER WASHER D6
260530	STAINL.ST WASHER 7X22X2
260706	SCREW 3,9X13 S/S
322886	COVER LF2004
322889	COVER LF2004 W/SOFTENER
323724	RIGHT RACK GUIDE LF 2006
323725	LEFT RACK GUIDE LF 2006
323905	DOOR LF
342296	HOOD
351888	FRONT PANEL LF2004
390186	PANEL
390187	BACK PANEL LF BT
450288	DOOR SPRING
450821	SPRING CLIP FASTENER SNU 3634
450831	SCREW SUPPORT
463223	SELF ADHESIVE SYMBOL LF322BT
H36626	LF DOOR SPRING BRACKET

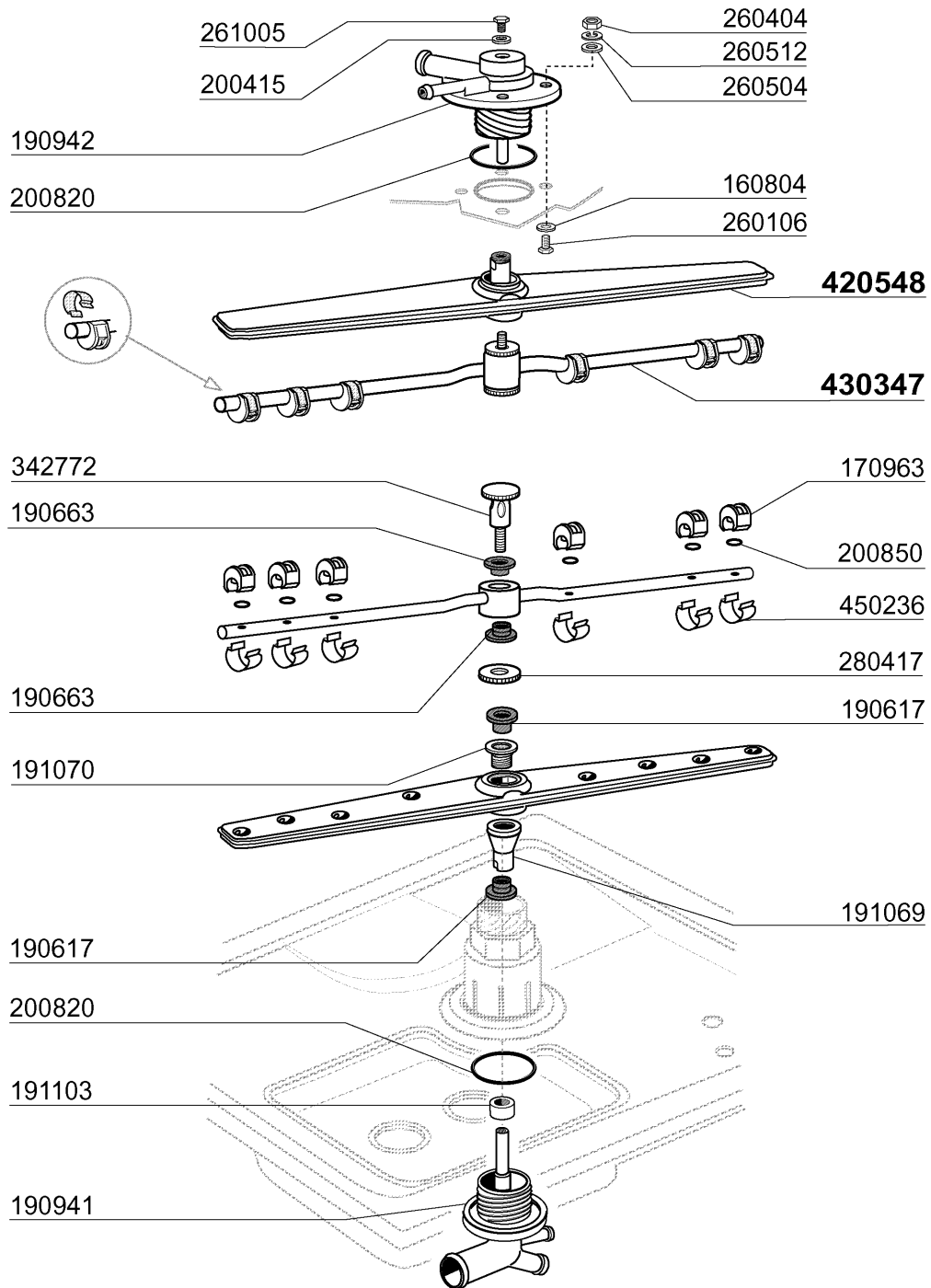
3 - Tank



3 - Tank

CODE	DESCRIPTION
110273	TANK HEATER 2000W 230V
130629	PRESSURE SWITCH 1L30-12
160121	HOSE EPDM D. 5 X 9
160310	INLET HOSE BHC
160704	BLACK PLUG WITH GASKET 1/2"GAK
160788	PLUG
160789	NUT
161316	AIR TRAP
161317	NUT FOR AIR TRAP
180108	PLASTIC NUT 1/2"
180145	NUT
180147	NUT
180149	PLASTIC NUT
180725	OVERFLOW PIPE COVER
180730	OVERFLOW PIPE
180832	FILTER FOR LF TANK
190225	DRAIN OUTLET
191095	CONTAINER FOR BREAK TANK
200498	GASKET
200612	PUMP INLET HOSE
200779	DRAIN HOSE FOR BR-BC-FC43
200805	OR GASKET 2,62X28,24X33,48
200842	SEAL RING OR158 PB701 NITRILE
200867	GASKET
200869	GASKET
200870	GASKET 18X10X2
200944	GASKET
260706	SCREW 3,9X13 S/S
270101	HEXAGON LOCK NUT 1/2"
333006	FILTER
450105	CLAMP FE ZN. 26-38 H=12,2
450109	CLAMP 50-65
450134	ELASTIC HOSE CLIP D.9,3/8,8
450232	SPRING
450519	TANK THERMOSTAT SHIELD C-F
460502	GASKET 30X21X2
460527	GASKET

4 - Wash arm

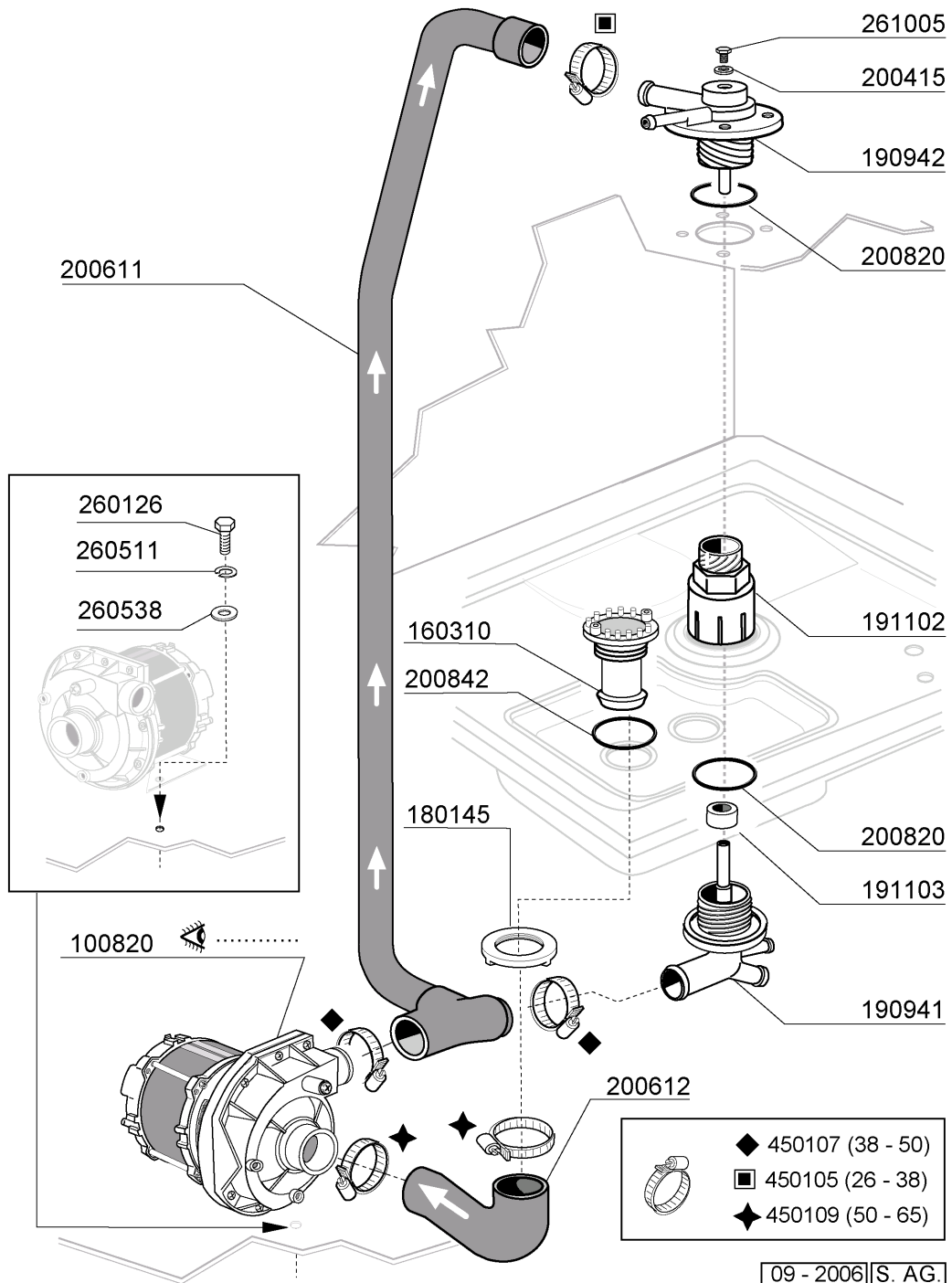


01 - 2005 | S. AG. | 01

4 - Wash arm

CODE	DESCRIPTION
160804	GASKET D.6
170963	RINSE JET X FC
190617	BUSH
190663	BUSH
190941	LOWER TEE WASH/RIN ARM
190942	UPP.TEE WASH/RIN ARM
191069	WASH ARM CENTER (FC - MACHINES
191070	LOCK NUT FOR WASH ARM CENTER (
191103	SPACER
200415	AIR TRAP GASKET -F2 18,5X10X3
200820	O-RING151 46,99X5,33X57,6
200850	O-RING
260106	SCREW TE 6X25
260404	STAINLESS STEEL NUTS D6 UNI 55
260504	ST/ST FLAT WASHER D6
260512	ST/ST GROWER WASHER D6
261005	SCREW F. TEE UP.WASH F2-B41
280417	RETAIN.LOCK NUT
342772	PIN
420548	FC WASH ARM (ST/ST)
430347	RINSE ARM LF322/325/700
450236	SPRING FOR WASHER 170963

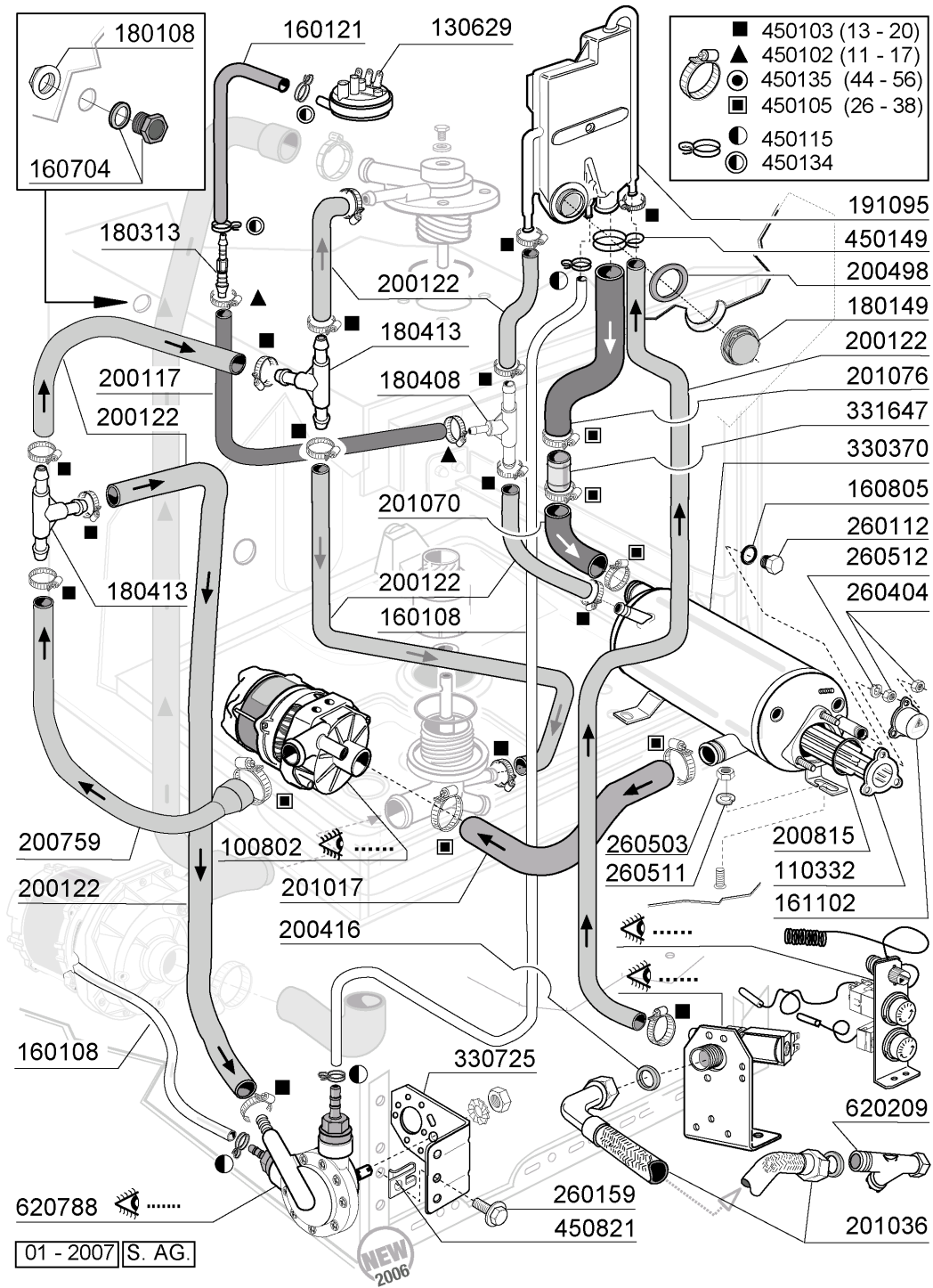
5 - Wash Column



5 - Wash Column

CODE	DESCRIPTION
100820	PUMP 0,6HP 220V
160310	INLET HOSE BHC
180145	NUT
190941	LOWER TEE WASH/RIN ARM
190942	UPP.TEE WASH/RIN ARM
191102	LOWER TEE WASH/RIN ARM
191103	SPACER
200415	AIR TRAP GASKET -F2 18,5X10X3
200611	OUTLET HOSE
200612	PUMP INLET HOSE
200820	O-RING151 46,99X5,33X57,6
200842	SEAL RING OR158 PB701 NITRILE
260126	SCREW TE 5X12
260511	GROWER WASHER D.5
260538	WASHER 18X6X1,5 ST/ST
261005	SCREW F. TEE UP.WASH F2-B41
450105	CLAMP FE ZN. 26-38 H=12,2
450107	CLAMP FE ZN 38-50 H=12,2
450109	CLAMP 50-65

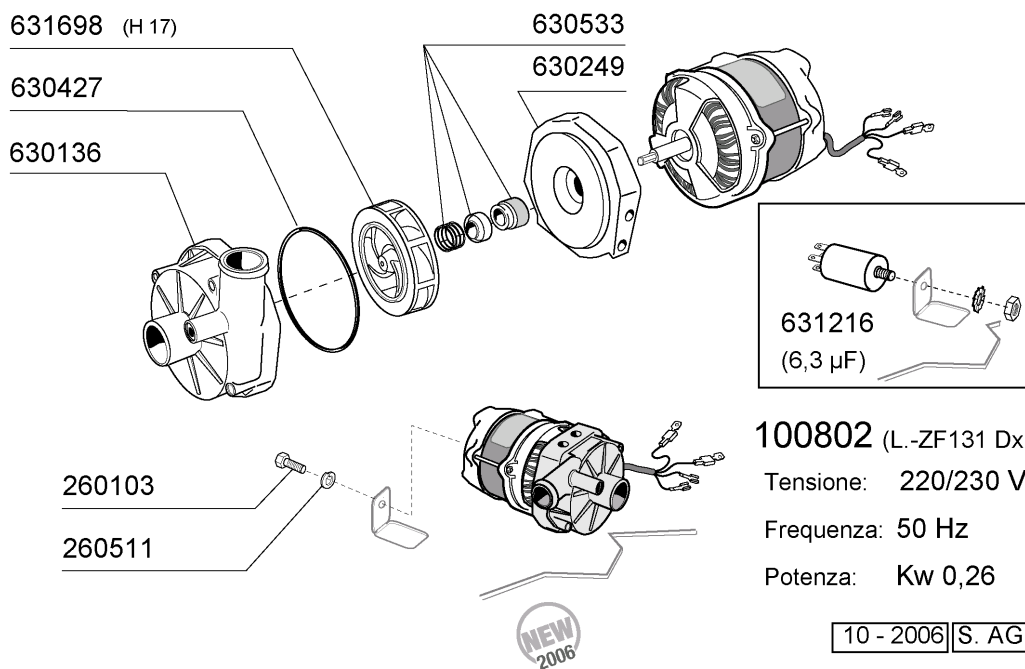
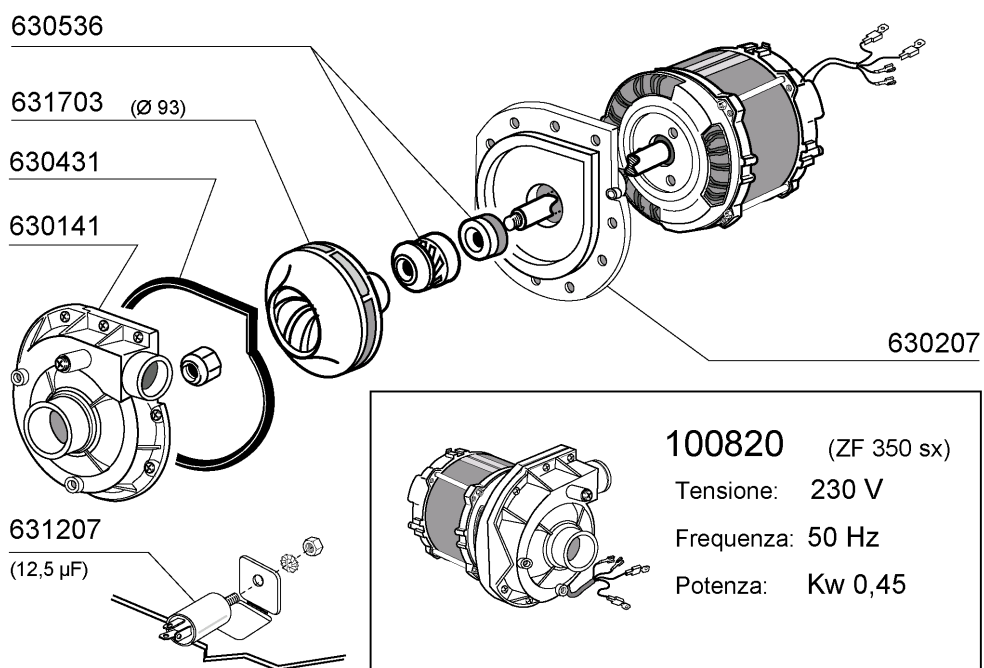
6 - Rinse assembly



6 - Rinse assembly

CODE	DESCRIPTION
100802	PUMP HP 0,3 230V-50HZ
110332	HEATING ELEMENT 5000W 230/400V
130629	PRESSURE SWITCH 1L30-12
160108	INJECT.INLET HOSE D.8X5
160121	HOSE EPDM D. 5 X 9
160704	BLACK PLUG WITH GASKET 1/2"GAK
160805	GASKET D.8
161102	ELEMENT COVER MOPL.
180108	PLASTIC NUT 1/2"
180149	PLASTIC NUT
180313	TEE-NIPPLE
180408	TEE-NIPPLE F.INJECT.W/CENTR.RE
180413	TEE NIPPLE D.11,5 - RINSE ASSE
191095	CONTAINER FOR BREAK TANK
200117	RUBBER HOSE 7X16
200122	HOSE 11X19
200416	GASKET D. 3/4"
200498	GASKET
200759	DELIVERY HOSE FOR ECORINSE AC-
200815	O-RING F. HEAT.ELEM.
201017	RINSE PUMP INLET HOSE LF/FC BT
201036	INLET HOSE 2 MT
201070	HOSE
201076	HOSE
260112	STAINLESS STEEL TE-SCREW 8X16
260159	SCREW
260404	STAINLESS STEEL NUTS D6 UNI 55
260503	STAINL.STEEL FLAT WASHER D5 UN
260511	GROWER WASHER D.5
260512	ST/ST GROWER WASHER D6
330370	BOOSTER BT FOR LF
330725	STANDARD BRACKET F.SOLEN.VALV
331647	BRACKET
450102	CLAMP FE ZN 11-17 H=9
450103	CLAMP FE ZN. 13-20 H=9
450105	CLAMP FE ZN. 26-38 H=12,2
450115	ELASTIC CLAMP D.8,3/7,8
450134	ELASTIC HOSE CLIP D.9,3/8,8
450135	CLAMP FE ZN. 44-56 H=12,2
450149	CLAMP D.34,6 X 36,4
450821	SPRING CLIP FASTENER SNU 3634
620209	INLET WATER FILTER
620788	RINSE AID INJECTOR H21428

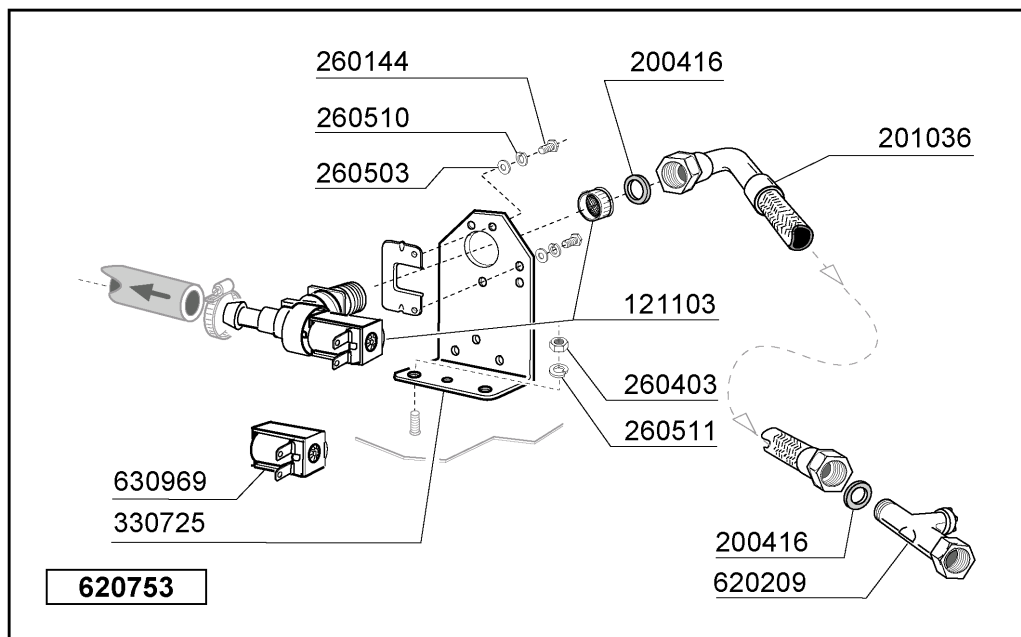
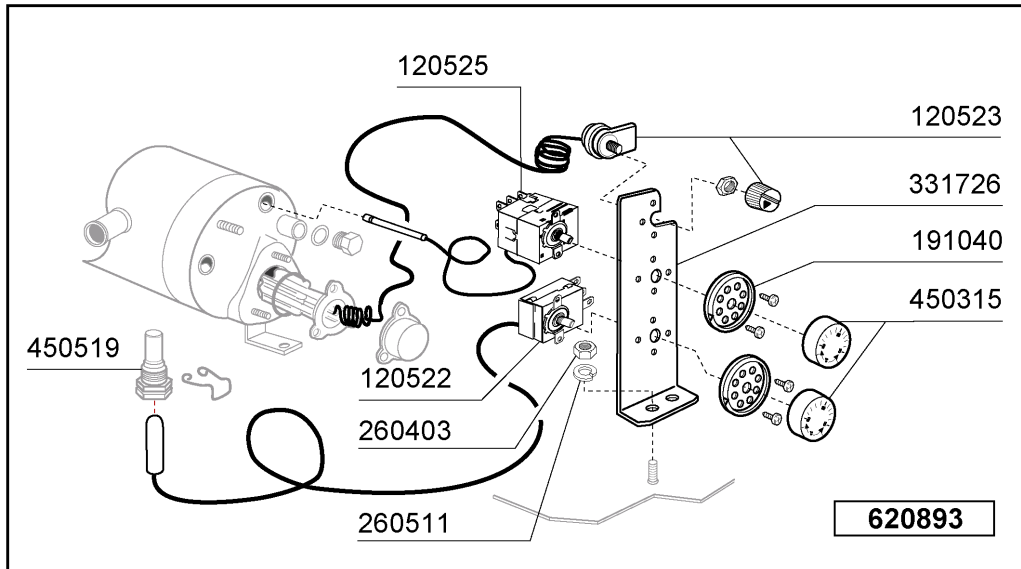
7 - Pump



7 - Pump

CODE	DESCRIPTION
100802	PUMP HP 0,3 230V-50HZ
100820	PUMP 0,6HP 220V
260103	SCREW TE 6X12
260511	GROWER WASHER D.5
630136	PUMP VOLUTE LGB ZF131DX
630141	PUMP VOLUTE LGB ZF380SX
630207	PUMP FLANGE LGB ZF350SX 230V
630249	PUMP FLANGE ZF131 DX
630427	O-RING FOR PUMP ZF131DX
630431	PUMP GASKET LGBZF350SX
630533	PUMP SEALS WASH PUMP ZF131DX
630536	SEAL FOR PUMP LGB350SX
631207	CONDENSER 12,5MF. 450V 85C
631216	CAPACITOR 6.3 MF 450V
631698	PUMP IMPELLER ZF131DX
631703	PUMP IMPELLER ZF350SX

8 - Thermostat/solenoid valve group



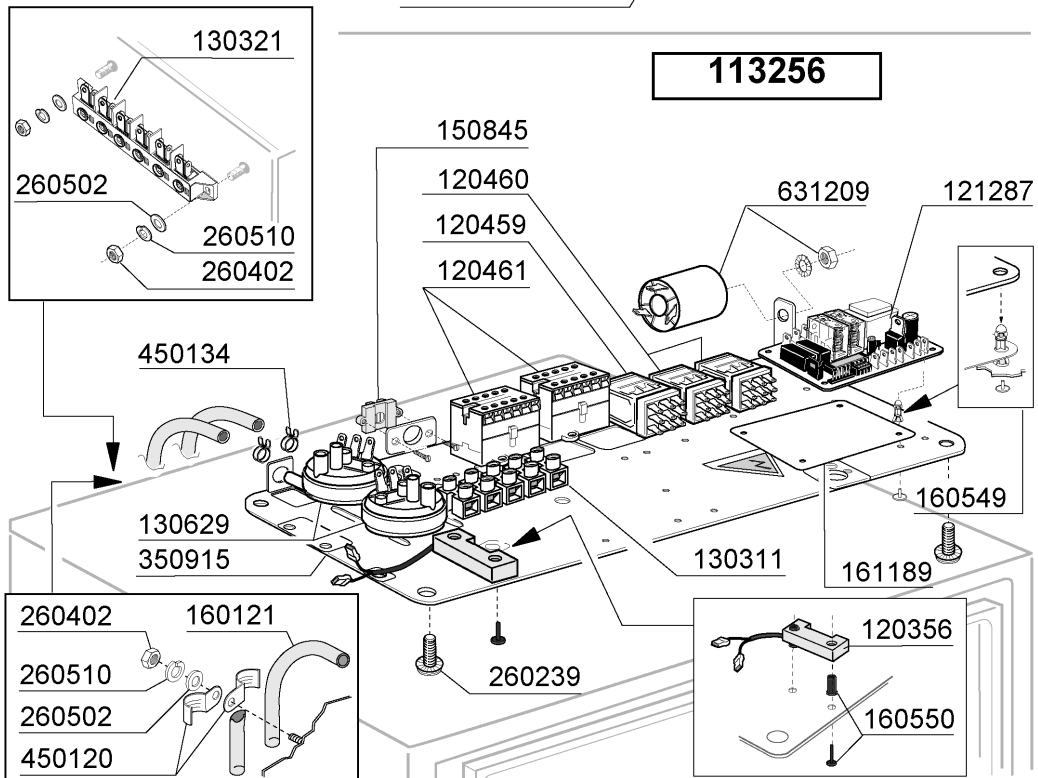
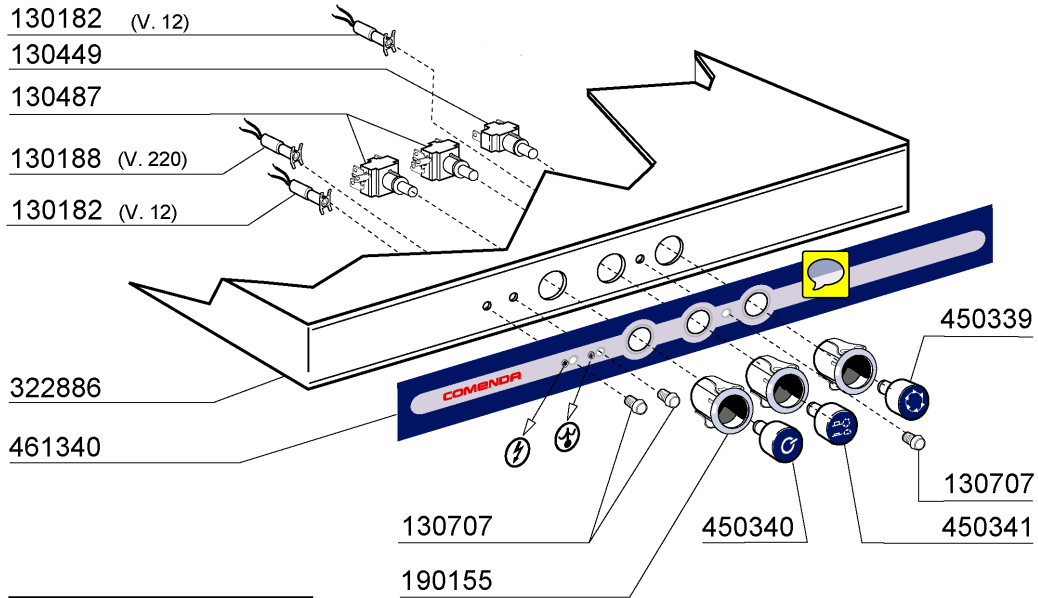
10 - 2006 | S. AG.

NEW
2006

8 - Thermostat/solenoid valve group

CODE	DESCRIPTION
120522	TANK THERMOSTAT 90°
120523	SAFETY THERMOSTAT 110°
120525	BOOSTER THERMOSTAT 2 TEMPERAT.
121103	SOLENOID VALVE 5,5 LT/M
191040	FRAME F.THERMOSTAT KNOB
200416	GASKET D. 3/4"
201036	INLET HOSE 2 MT
260144	SCREW TE 4X6
260403	NUTS D.5
260503	STAINL.STEEL FLAT WASHER D5 UN
260510	GROWER WASHER D.4
260511	GROWER WASHER D.5
330725	STANDARD BRACKET F.SOLEN.VALV
331726	BRACKET FOR 3 THERMOSTATS
450315	KNOB F. THERMOSTAT 90°
450519	TANK THERMOSTAT SHIELD C-F
620209	INLET WATER FILTER
620753	KIT BELT CONVEYOR NE
620893	ASSIEME TERMOS.LF324-325E-700
630969	COIL S4216 220/50HZ

9 - Control box



10 - 2006 | S. AG.

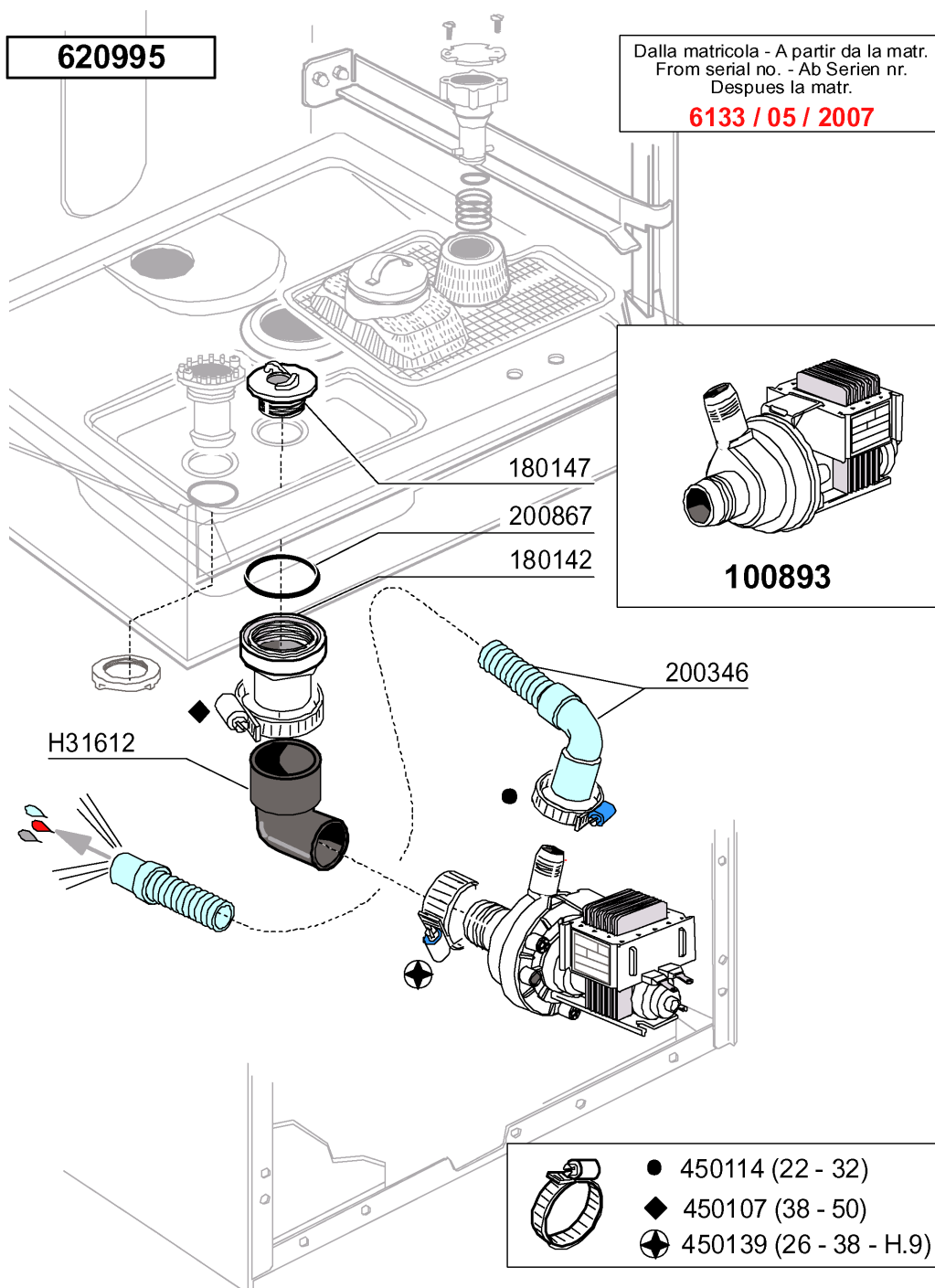
9 - Control box

CODE	DESCRIPTION
113256	CABLE LF321-322 BT 5KW
120356	DOOR MAGN.SWITCH
120459	AUXIL.RELE 16A 220V
120460	RELAY 16A 220V
120461	CONTACTOR ABB B6-30-01 220V
121287	ELECTRONIC TIMER
130182	GREEN LAMP 12V
130188	GREEN LED 220V
130311	TERMINAL BLOCK
130321	JUNCTION BOX 6 CONNECTORS
130449	PUSH BUTTON BR-BC-FC
130487	SWITCH
130629	PRESSURE SWITCH 1L30-12
130707	TRANSPARENT LENS COVERS (C-SER
150845	PRESSACAVO SERIM 4228B
160121	HOSE EPDM D. 5 X 9
160549	SUPPORT
160550	SCREW
161189	COVER
190155	BUTTON HOLDER
260239	SPECIAL S/S TB-SCREWS M6X20
260402	STAINLESS STEEL NUT D4 UNI 55
260502	S/S FLAT WASHER D.4
260510	GROWER WASHER D.4
322886	COVER LF2004
350915	CONTROL PANEL SUPPORT
450120	ZINC CLAMP FOR HOSE D.7
450134	ELASTIC HOSE CLIP D.9,3/8,8
450339	PUSH BUTTON "CYCLE"
450340	PUSH BUTTON
450341	PUSH BUTTON
461340	PLATE LF2004
631209	ANTI-NOISE FILTER

10 - Rinse aid injector

CODE	DESCRIPTION
160108	INJECT.INLET HOSE D.8X5
160785	GUIDE FOR SPRING RINSE AID INJ
190339	RINSE AID INJECTOR CONNECTION
200122	HOSE 11X19
200490	PROTECTION GASKET MOD.ADV.
200939	OR GASKET
200941	OR GASKET
200942	VALVE RINSE INJECTOR HVD
261014	SCREW
330725	STANDARD BRACKET F.SOLEN.VALV
450103	CLAMP FE ZN. 13-20 H=9
450115	ELASTIC CLAMP D.8,3/7,8
450235	SPRING RINSE AID INJECTOR
620788	RINSE AID INJECTOR H21428
630632	DIAPHRAGM RINSE INJECTOR HVD

11 - Drain pump

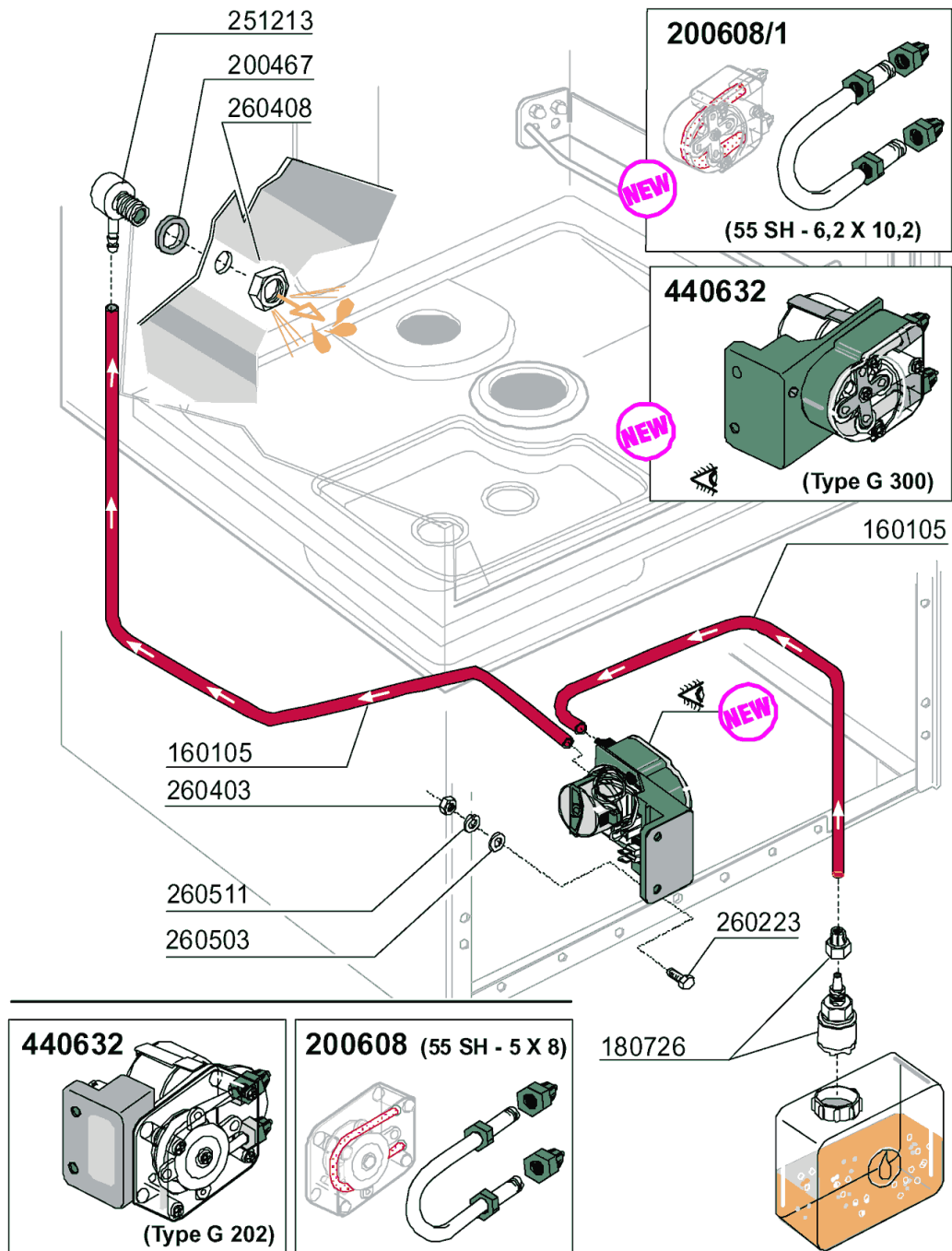


07 - 2007 | S. AG.

11 - Drain pump

CODE	DESCRIPTION
100893	DRAIN PUMP 30W 230/50
180142	CONNECTOR FOR DRAIN PUMP
180147	NUT
200346	DRAIN HOSE GLASSWASHER
200867	GASKET
450107	CLAMP FE ZN 38-50 H=12,2
450114	CLAMP FE ZN.22-32 H=12,2
450139	CLAMP 26-38 H=9
620995	DRAIN PUMP KIT LF MODELS 2007
H31612	HOSE FOR DRAIN PUMP

12 - Detergent dispenser



09 - 2007 | S. AG.

12 - Detergent dispenser

CODE	DESCRIPTION
160105	INJECT.INLET HOSE D.6X4
180726	STREINER FOR RINSE AID INJECTO
200467	DUTRAL GASKET F. AIR TRAP
200608	DETERGENT DISPENSER HOSE
200608/1	HOSE FOR DISPENSER GERMAC G300
251213	INJECTIOR S/S FOR DETERGENT IN
260223	M5X12 MSH/HD SCREW SPECIAL S/S
260403	NUTS D.5
260408	S/S NUTS D.12
260503	STAINL.STEEL FLAT WASHER D5 UN
260511	GROWER WASHER D.5
440632	DETERGENT INJECTOR