

FT...-61E... FT...-62E... FT...-63E... FT...-64E...

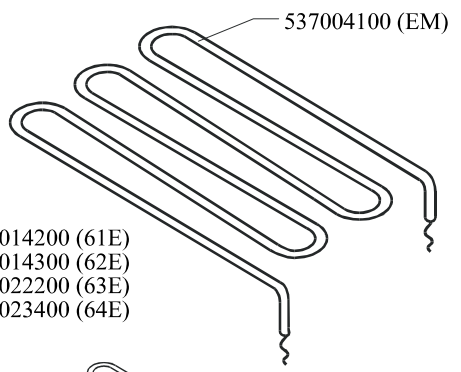


- 541015400 (61E)
- 541015500 (62E)
- 541022000 (63E)
- 541027500 (64E)

- 541017700 (L-61E)
- 541017800 (R-61E)
- 541018700 (L-61ES)
- 541059100 (R-61ES)
- 541017900 (L-62E)
- 541018000 (LR-62E)
- 541018100 (R-62E)
- 541018800 (L-62ES)
- 541059200 (LR-62ES)
- 541059300 (R-62ES)
- 541022400 (L-63E)
- 541022500 (LR-63E)
- 541022600 (L-63ES)
- 541059400 (LR-63ES)
- 541023601 (L-64E)
- 541023701 (LR-64E)
- 541023901 (L-64ES)
- 541023800 (LR-64ES)

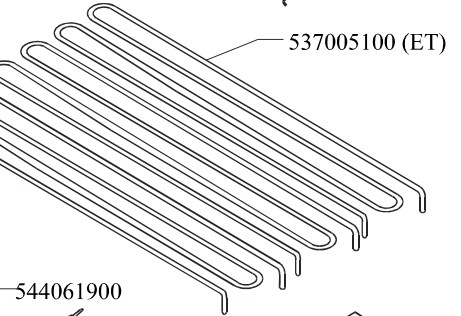


- 536001700 (61E/62E)
- 533015700 (61E/62E)
- 533011200 (61E/62E)



- 541014200 (61E)
- 541014300 (62E)
- 541022200 (63E)
- 541023400 (64E)

- 536006900



- 544062000

- 544061900

- 533010300

- 537001200

- 537007600 (EM)
- 537007700 (ET)

- 537012700 (61EM)
- 537012800 (61ET/62E/63E/64E)

- 537001600 (EM)
- 537000900 (ET)

- 536011800 (61E)
- 536012000 (62E/63E/64E)

- 537000400 (EM)
- 537000200 (ET)

- 537013800 (61E)
- 537014000 (62E/63E/64E)

- 541016500

- 537014200
- 537014100

- 536002600 (EM)
- 536002300 (ET)

- 544070000 (61E)
- 544070100 (62E)
- 544092800 (63E)
- 544080601 (64E)

| Page | Pos | Code | Description |
|------|-----|-----------|-------------------------------------|
| 001 | | 541017700 | SMOOTH PLATE FTL-61E |
| 001 | | 541015400 | NEUTRAL SPACER 61 |
| 001 | | 541006900 | SPATTLE FT |
| 001 | | 536001700 | GRIP D.25*19*M6 |
| 001 | | 533015700 | HEADLESS SCREW M6*20 |
| 001 | | 533011200 | SCREW PLUG FOR DRAIN FT-61 |
| 001 | | 541014200 | UPPER PLATE FT-61E |
| 001 | | 537005100 | HEATING ELEMENT W1000 V230 FT |
| 001 | | 544061900 | RIGHT SIDE PANEL 60 LINE |
| 001 | | 537001200 | FIXING BRACKET FOR THERMOSTAT/COMM. |
| 001 | | 541016500 | DRIP TRAY FT-61 |
| 001 | | 537014200 | GREEN WARNING LIGHT 250V |
| 001 | | 537014100 | WHITE WARNING LIGHT 250V |
| 001 | | 536002300 | KNOB 50-300°C THREEPHASE SNACK |
| 001 | | 544070000 | CONTROL PANEL FT-61E |
| 001 | | 537000200 | COMMUTATOR 1 POS. 3PHASE S.49 16A |
| 001 | | 537000900 | THERMOSTAT 50-320°C THREEPHASE |
| 001 | | 537012800 | SAFETY THERMOSTAT 420°C THREEPHASE |
| 001 | | 537013800 | CABLE SECURING CLAMP PG-13,5 |
| 001 | | 536011800 | HEXAGONAL LOCK NUT PG-13,5 |
| 001 | | 537007700 | TERMINAL BLOCK THREEPHASE 40A |
| 001 | | 533010300 | ADJUSTABLE FOOT M10*20 D.23 |
| 001 | | 544062000 | LEFT SIDE PANEL 60 LINE |
| 001 | | 536006900 | RUBBER CABLE GUIDE D.25MM.HOLE 16MM |