

BAR-LINE

**SPARE PARTS LIST
CATALOGO RICAMBI
CATALOGUES PIÈCES DÉTACHÉES
ERSATZTEILENKATALOG**

20 - 30

40 - 50

65 - 90

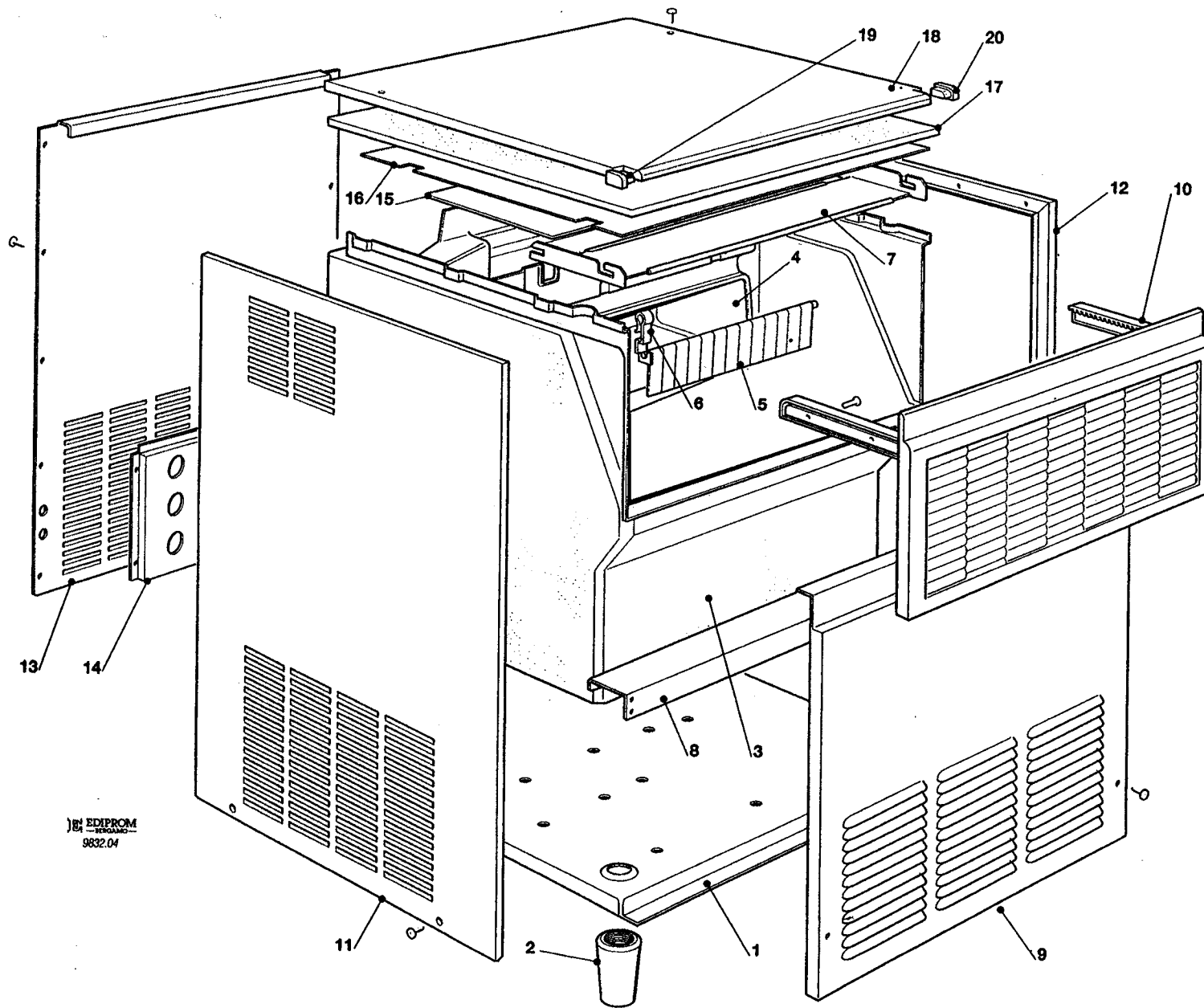
R 134 A

Cubers

**Fabbricatori
di ghiaccio a cubetti**

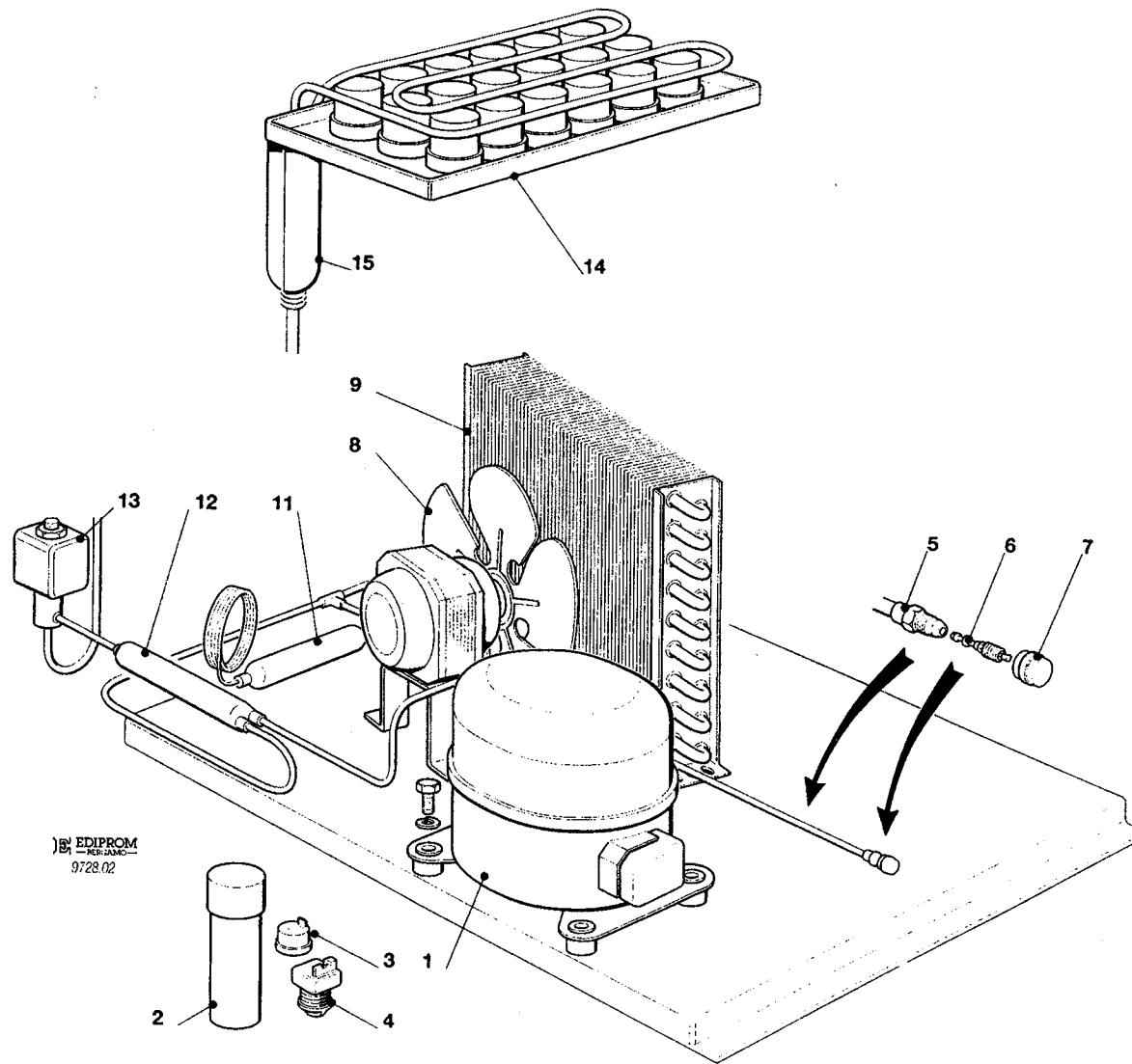
Machines á glaçons

Kegeleisbereiter



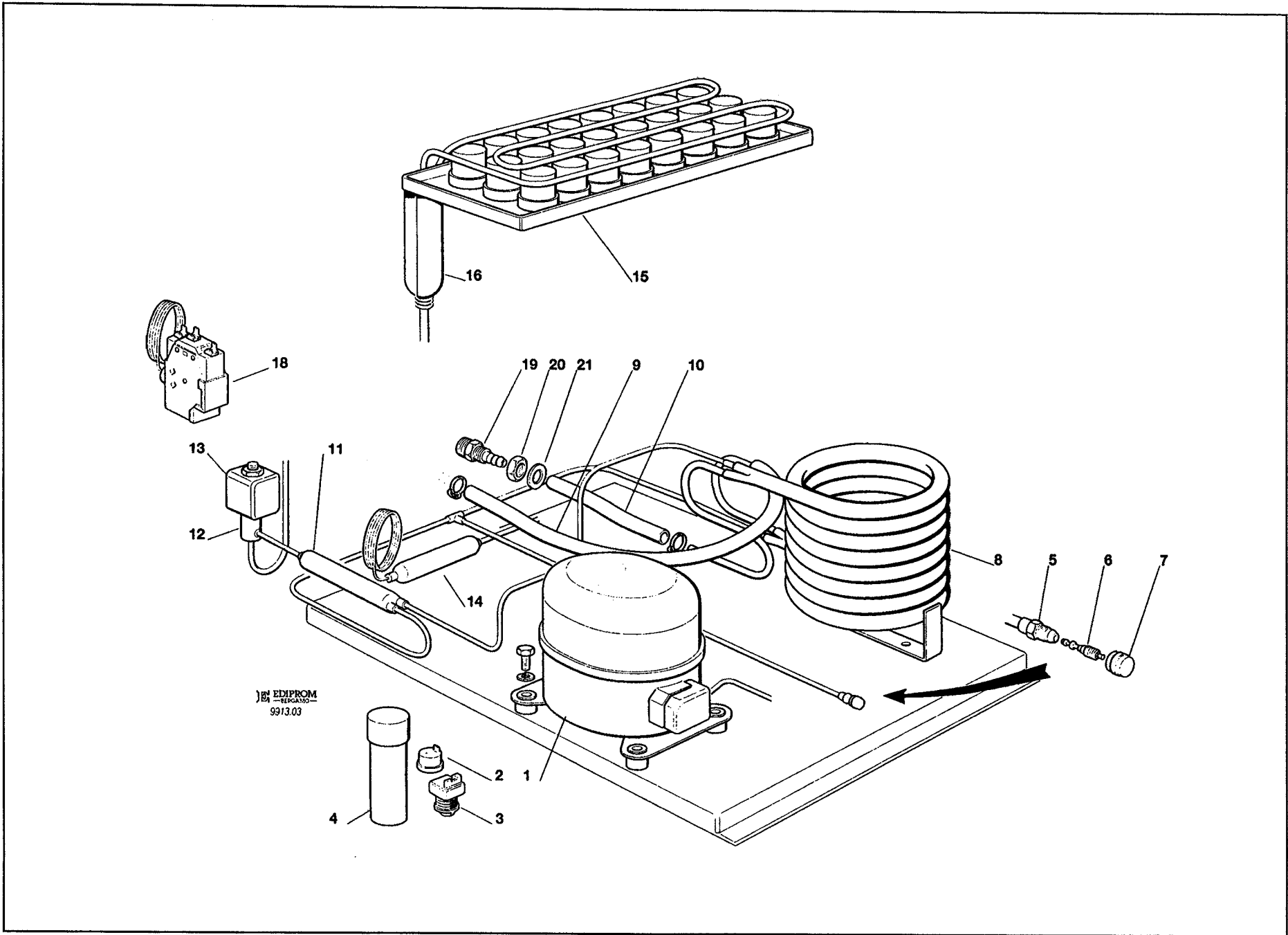
40 - UNIT PANELS - ASSIEME MOBILE - ENS. CARROSSERIE - MACHINE GEHAUSE

ITEM NO POS NO REP. NO REF. NO	PART NO CODICE REFERENCE TUECK NR	DESCRIPTION	DESCRIZIONE	DESIGNATION	BESCHREIBUNG
1	781406 01 R	UNIT BASE	BASAMENTO	BASEMENT	CHASSIS RAHMEN
2	660638 00	LEGS	PIEDINI	PIEDS	FUESSE
3	782086 04 R	INSULATED STORAGE BIN	CELLA ISOLATA	CABINE STOCKAGE ISOLEE	ISOLIEREISSPEICHER
4	792010 00 R	EVAPORATOR HOUSING	INVOLUCRO EVAPORATORE	CUVE ÉVAPORATEUR	VERDAMPFER GEHÄUSE
5	784457 00 R	CURTAIN ASSY	ASSIEME TENDINA	ENSAMBLE RIDEAU	JALOUSIE
6	660388 00	CURTAIN BRACKET LEFT	SUPPORTO TENDINA SX	SUPPORT RIDEAU GAUCHE	JALOUSIETRAEGER - LINKE
7	721679 01	METAL PLATE	DISTANZIALE IN ACC. INOX	PLAQUE EN ACIER INOX	METALLPLATTE
8	702128 01	METAL BRACKET	SUPPORTO IN METALLO	SUPPORT	METALLTRÄGER
9	721635 00	FRONT PANEL	PANNELLO FRONTALE	PANNEAU AVANT	VORDERWAND
10	782091 00 R 660616 00	BIN DOOR ASSY DOOR RACK	ASSIEME SPORTELLLO CREMAGLIERA	ENSAMBLE PORTE CABINE CREMAILLERE	SPEICHERTUER ZAHNSTANGE
11	721637 00	LEFT SIDE PANEL	PANNELLO SX	PANNEAU GAUCHE	LINKE SEITENWAND
12	721636 00	RIGHT SIDE PANEL	PANNELLO DX	PANNEAU DROITE	RECHTE SEITENWAND
13	702199 00	REAR PANEL	PANNELLO POSTERIORE	PANNEAU ARRIERE	RUECKWAND
14	702180 00	METAL BRACKET FOR FITTINGS	SUPPORTO ATTACCHI	SUPPORT DE RACCORDS	METALLTRAEGER
15	784378 04 R	EVAPORATOR PLASTIC COVER	COPERCHIO IN PLASTICA	COUVERCLE ÉVAPORATEUR	VERDAMPFER DECKEL
16	660541 00	STORAGE BIN COVER	COPERCHIO CONTENITORE	COUVERCLE BAC DE STOCKKE	SPEICHERFDECKEL
17	650236 21	UPPER INSULATION	ISOLAMENTO SUPERIORE	ISOLATION SUPERIEUR	ISOLIERUNG
18	781395 28 R	TOP PANEL	PANNELLO SUPERIORE	PANNEAU SUPERIEURE	ABDECKHAUBE
19	660528 01	PLASTIC PLUG LEFT	TAPPO IN PLASTICA SX	CAPUCHON EN PLASTIQUE - GAUCHE	PLASTIKPROPFEN - LINK
20	660528 00	PLASTIC PLUG RIGHT	TUBO IN PLASTICA DX	CAPUCHON EN PLASTIQUE - DROITE	PLASTIKPROPFEN - RECHT



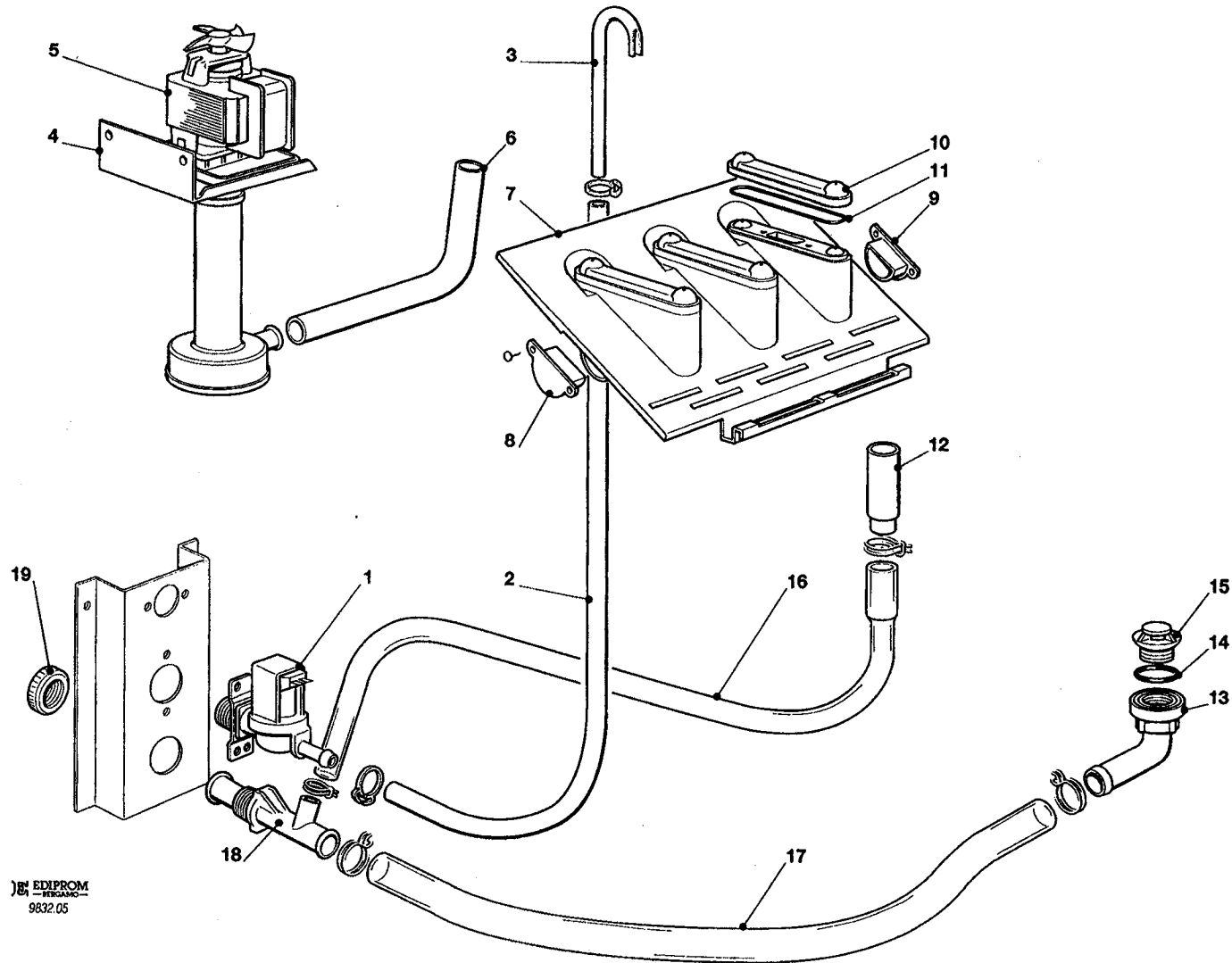
**20 - 30 - 40 - 50 - REFRIGERANT SYSTEM AIR COOLED - SISTEMA REFRIGERANTE RAFFR. AD ARIA
CIRCUIT FRIGORIFIQUE REFROID. PAR AIR - LUFTGEKÜHLT GEFRIERSYSTEM**

ITEM NO POS NO REP. NO REF. NO	PART. NO - CODICE REFERENCE - STUECK NR				DESCRIPTION	DESCRIZIONE	DESIGNATION	BESCHREIBUNG
	20	30	40	50				
1	670097 08 670066 08	670100 00 670101 01	670101 00 670101 02	670100 01	COMPRESSOR ASSY - 230/50/1 COMPRESSOR ASSY - 230/60/1	ASSIEME COMPRESSORE - 230/50/1 ASSIEME COMPRESSORE - 230/60/1	ENSAMBLE COMPRESSEUR - 230/50/1 ENSAMBLE COMPRESSEUR - 230/60/1	KOMPRESSOR - 230/50/1 KOMPRESSOR - 230/60/1
2	620167 29 620167 01	620167 29 620167 29	620167 01 620167 01	620167 29	START CAPACITOR - 230/50/1 START CAPACITOR - 230/60/1	CONDENSATORE D'AVVIAMENTO - 230/50/1 CONDENSATORE D'AVVIAMENTO - 230/60/1	CAPACITE DE DEMARRAGE - 230/50/1 CAPACITE DE DEMARRAGE - 230/60/1	START KONDENSATOR - 230/50/1 START KONDENSATOR - 230/60/1
3	620058 65 620058 74	620058 69 620058 86	620058 77 620058 80	620058 67	PROTECTOR - 230/50/1 PROTECTOR - 230/60/1	PROTETTORE - 230/50/1 PROTETTORE - 230/60/1	PROTECTEUR - 230/50/1 PROTECTEUR - 260/50/1	SCHUTZGERAT - 230/50/1 SCHUTZGERAT - 230/60/1
4	620057 35 620057 40	620057 31 620057 03	620057 42 620057 49	620057 56	RELAY - 230/50/1 RELAY - 230/60/1	RELE - 230/50/1 RELE - 230/60/1	RELAIS - 230/50/1 RELAIS - 230/60/1	RELAIS - 230/50/1 RELAIS - 230/60/1
5	650109 00				VALVE BODY	CORPO VALVOLA	CORPS DE VANNE	VENTILGEHAUSE
6	670012 00				VALVE PISTON	PISTONCINO VALVOLA	PISTON	VENTILKOLBEN
7	650106 00				VALVE CAP	CAPPUCCIO VALVOLA	CAPUCHON DE VANNE	VENTILKLAPPE
8	620419 32	620419 32	620419 33	620419 33	FAN MOTOR FAN BLADE	MOTORE VENTILATORE VENTOLA	MOTEUR DU VENTILATEUR HELICE	LUFTER MOTOR FLUEGEL
9	620276 02	620420 00	620439 00	620455 00	AIR COOLED CONDENSER	CONDENSATORE AD ARIA	CONDENSEUR A AIR	LUFT KONDENSATOR
11	630003 05				DRIER	FILTRO DEUMIFICATORE	FILTRE DESHYDRATEUR	TROCKNER
12	630007 01	630007 01	630020 01	630137 01	MECHANICAL FILTER	FILTRO MECCANICO	FILTRE MECANIQUE	MECHANISCHFILTERN
13	620306 22	620306 27 620306 48	620306 27	620306 27	HOT GAS VALVE BODY HOT GAS VALVE COIL	CORPO VALVOLA GAS CALDO BOBINA VALVOLA GAS CALDO	CORP VANNE GAZ CHAUD BOBINE VANNE GAZ CHAUD	HEISSGAZ VENTILGEHAUSE HEISSGAZ VENTIL SPULE
14	784195 04 784195 06	784256 00 784415 01	784256 01 784415 00	784477 02	EVAPORATOR ASSY - M EVAPORATOR ASSY - L	ASSIEME EVAPORATORE - M ASSIEME EVAPORATORE - L	ENSAMBLE EVAPORATEUR - M ENSAMBLE EVAPORATEUR - L	VERDAMPFER - M VERDAMPFER - L
15	784444 00	784444 01	784444 04	784444 10	SUCTION LINE/ACCUMULATOR	ACCUMUL. E LINEA ASPIRAZIONE	ENS. ASPIRATION/ACCUMULATEUR	SAMMLER UND SAUGLEITUNGEN



**20 - 30 - 40 - 50 - REFRIGERANT SYSTEM WATER COOLED - SISTEMA REFRIGERANTE RAFFR. AD ACQUA
CIRCUIT FRIGORIFIQUE REFROID. PAR EAU - WASSERGEKÜHLT GEFRIERSYSTEM**

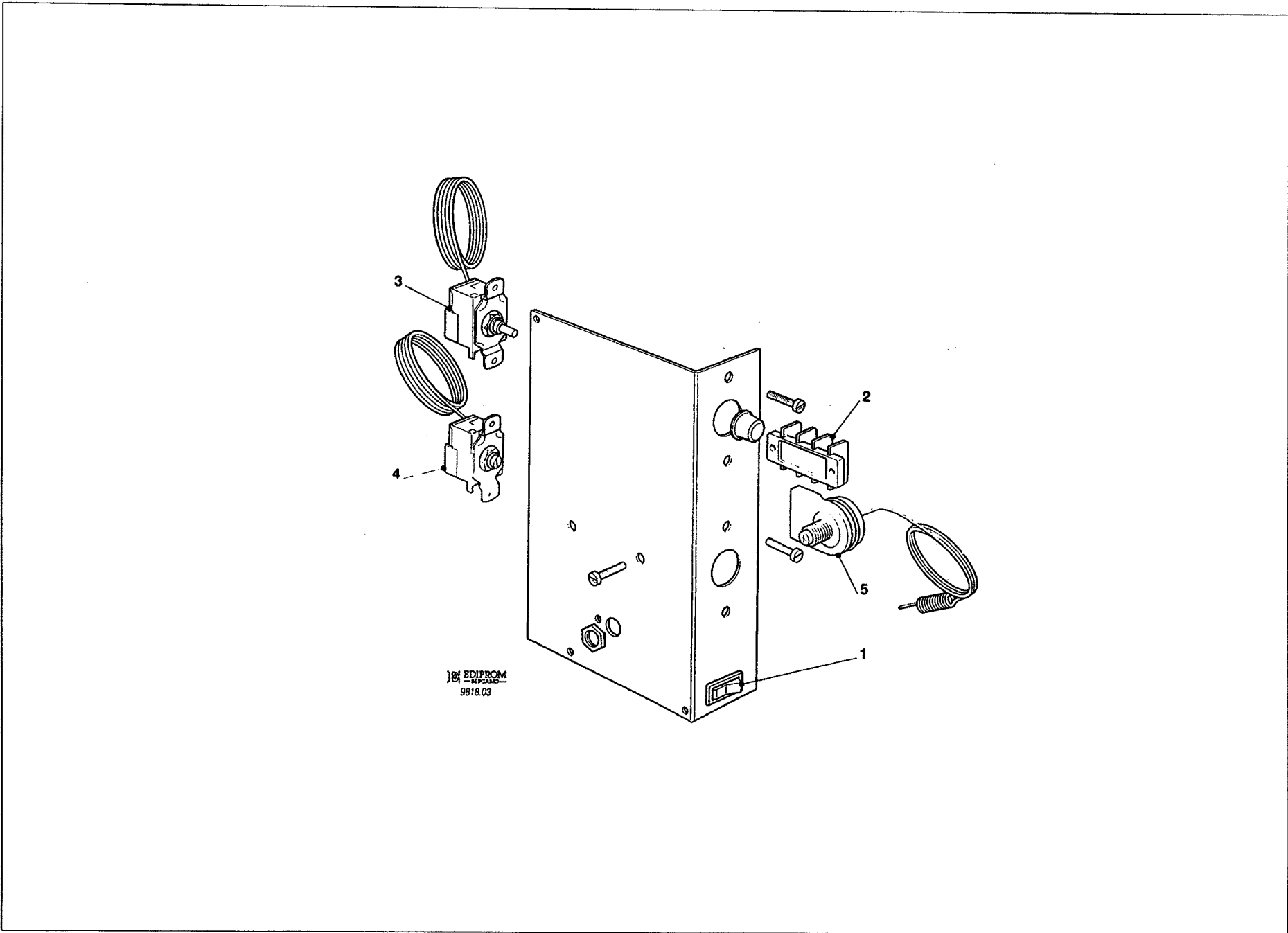
ITEM NO POS NO REP. NO REF. NO	PART. NO - CODICE REFERENCE - STUECK NR				DESCRIPTION	DESCRIZIONE	DESIGNATION	BESCHREIBUNG
	20	30	40	50				
1	670097 08 670066 08	670100 00 670101 01	670101 00 670101 02	670100 01	COMPRESSOR ASSY - 230/50/1 COMPRESSOR ASSY - 230/60/1	ASSIEME COMPRESSORE - 230/50/1 ASSIEME COMPRESSORE - 230/60/1	ENSAMBLE COMPRESSEUR - 230/50/1 ENSAMBLE COMPRESSEUR - 230/60/1	KOMPRESSOR - 230/50/1 KOMPRESSOR - 230/60/1
2	620058 65 620058 74	620058 69 620058 86	620058 77 620058 80	620058 67	PROTECTOR - 230/50/1 PROTECTOR - 230/60/1	PROTETTORE - 230/50/1 PROTETTORE - 230/60/1	PROTECTEUR - 230/50/1 PROTECTEUR - 230/60/1	SCHUTZGERAT - 230/50/1 SCHUTZGERAT - 230/60/1
3	620057 35 620057 40	620057 31 620057 03	620057 42 620057 49	620057 56	RELAY - 230/50/1 RELAY - 230/60/1	RELE - 230/50/1 RELE - 230/60/1	RELAIS - 230/50/1 RELAIS - 230/60/1	RELAIS - 230/50/1 RELAIS - 230/60/1
4	620167 29 620167 01	620167 29 620167 29	620167 01 620167 01	620167 29	START CAPACITOR - 230/50/1 START CAPACITOR - 230/60/1	CONDENSATORE D'AVVIAMENTO - 230/50/1 CONDENSATORE D'AVVIAMENTO - 230/60/1	CAPACITE DE DEMARRAGE - 230/50/1 CAPACITE DE DEMARRAGE - 230/60/1	START KONDENSATOR - 230/50/1 START KONDENSATOR - 230/60/1
5	650109 00				VALVE BODY	CORPO VALVOLA	CORPS DE VANNE	VENTILGEHAUSE
6	670012 00				VALVE PISTON	PISTONCINO VALVOLA	PISTON	VENTILKOLBEN
7	650106 00				VALVE CAP	CAPPUCCIO VALVOLA	CAPUCHON DE VANNE	VENTILKLAPPE
8	620389 00				WATER COOLED CONDENSER	CONDENSATORE AD ACQUA	CONDENSEUR A EAU	WASSER KONDENSATOR
9	281900 01				PLASTIC TUBE-PER METER	TUBO IN PLASTICA-PER METRO	TUYAU EN PLASTIQUE-POUR METER	PLASTIK ROHR-PRO METER
10	281900 01				PLASTIC TUBE-PER METER	TUBO IN PLASTICA-PER METRO	TUYAU EN PLASTIQUE-POUR METER	PLASTIK ROHR-PRO METER
11	630007 01	630007 01	630020 01	630137 01	MECHANICAL FILTER	FILTRO MECCANICO	FILTRE MECANIQUE	MECHANISCHFILTERN
12	620306 22	630306 27	620306 27	620306 27	HOT GAS VALVE BODY	CORPO VALVOLA GAS CALDO	CORP VANNE GAZ CHAUD	HEISSGAZ VENTIL GEHAUSE
13	620306 48				HOT GAS VALVE COIL	BOBINA VALVOLA GAS CALDO	BOBINE VANNE GAZ CHAUD	HEISSGAZ VENTIL SPULE
14	630003 05				DRIER	FILTRO DEUMIDIFICATORE	FILTRE DESHYDRATEUR	TROCKNER
15	784195 04 784195 06	784256 00 784415 01	784256 01 784415 00	784427 02	EVAPORATOR ASSY - M EVAPORATOR ASSY - L	ASSIEME EVAPORATORE - M ASSIEME EVAPORATORE - L	ENSAMBLE EVAPORATEUR - M ENSAMBLE EVAPORATEUR - L	VERDAMPFER - M VERDAMPFER - L
16	784444 00	784444 01	784444 04	784444 10	SUCTION LINE/ACCUMULATOR	ACCUMUL. E LINEA ASPIRAZIONE	ENS. ASPIRATION/ACCUMULATEUR	WERSAMMLER UND SAUGLEITUNGEN
18	620075 00				PRESSURE CONTROL	PRESSOSTATO	PRESSOSTAT	PRESSOSTAT
19	660291 00				3/4 GAS WATER DRAIN FITTING	SCARICO ACQUA 3/4 GAS	RACCORD EVACUATION 3/4 GAS	3/4 GAS SCHLAUCH
20	400030 01				NUT	DADO	ECROU	MUTTER
21	400031 00				FIBER WASHER	RONDELLA	RONDELLE EN FIBRE	FIBER SCHEIBE



EDIPROM
9832.05

40 - WATER SYSTEM - CIRCUITO IDRAULICO - CIRCUIT HYDRAULIQUE - WASSERSYSTEM

ITEM NO POS NO REP. NO REF. NO	PART NO CODICE REFERENCE TUECK NR	DESCRIPTION	DESCRIZIONE	DESIGNATION	BESCHREIBUNG
1	650105 50 650105 51	WATER INLET VALVE - AIR COOLED WATER INLET VALVE - WATER COOLED	VALVOLA INGR. ACQUA - RAFF. ARIA VALVOLA INGR. ACQUA - RAFF. ACQUA	VANNE ARRIVEE EAU - REFR. AIR VANNE ARRIVEE EAU - REFR. EAU	WASSEREINLAUFVENTIL - LUFTGEKÜHLT WASSEREINLAUFVENTIL - WASSERGEKÜHLT
2	281900 01	WATER INLET TUBE-PER METER	TUBO INGRESSO ACQUA-PER METRO	TUYAU ARRIVEE EAU-POUR METRE	WASSEREINLAUFROHR-PRO METER
3	NO NBR	COPPER TUBE	TUBO RAME	TUYAU EN CUIVRE	COPPERHOR
4	NO NBR	METAL BRACKET	SUPPORTO IN METALLO	SUPPORT METALLIQUE	METALLTRAEGER
5	620433 00 620433 01	WATER PUMP ASSY - 230/50/1 WATER PUMP ASSY - 230/60/1	ASSIEME POMPA - 230/50/1 ASSIEME POMPA - 230/60/1	ENSAMBLE POMPE A EAU - 230/50/1 ENSAMBLE POMPE A EAU - 230/60/1	WASSER PUMPE - 230/50/1 WASSER PUMPE - 230/60/1
6	610147 00	WATER TUBE - PUMP TO SPRAY SYSTEM	TUBO MANDATA POMPA	TUYAU POMPE PLAQUE D'ARROSAGE	SCHLAUCH PUMPE - SPRUHSYSTEME
7	793129 01	SPRAY PLATEN ASSY	ASSIEME SPRUZZATORE	ENS. PLAQUE PULVERISATION EAU	SPRUHSYSTEM EINHEIT
8	660520 03	PLASTIC PLUG	TAPPO IN PLASTICA	BOUCHON EN PLASTIQUE	PLASTIKVERSTOPFEN
9	660520 02	PLASTIC PLUG	TAPPO IN PLASTICA	BOUCHON EN PLASTIQUE	PLASTIKVERSTOPFEN
10	660519 01	PLASTIC COVER	COPERCHIO IN PLASTICA	COUVERCLE EN PLASTIQUE	PLASTIKDECKEL
11	640041 20	O RING	GUARNIZIONE O R	JOINT TORIQUE	SIMMER RING
12	744111 00	OVERFLOW STAND PIPE	TUBO TROPPO PIENO	TROP PLEIN	UEBERLAUFROHR
13	660219 01	DRAIN T FITTING	RACCORDO DI SCARICO	RACCORD T D'EVACUATION	T STÜCK
14	640134 00	O RING	GUARNIZIONE O R	JOINT TORIQUE	SIMMER RING
15	660211 01	DRAIN FILTER	FILTRO SCARICO ACQUA	FILTRE EVACUATION EAU	ABFLUSSFILTER
16	610170 02	OVERFLOW DRAIN TUBE	TUBO SCARICO TROPPO PIENO	TUYAU EVAPORATION T.P.	ABFLUSSROHR
17	610148 10	DRAIN TUBE	TUBO SCARICO	TUYAU EVACUATION	ABFLUSSROHR
18	660224 00	DRAIN T FITTING	RACCORDO DI SCARICO	RACCORD T D'EVACUATION	T STÜCK
19	660535 00	PLASTIC RING NUT	GHIERA IN PLASTICA	COLLIER DE SERRAGE EN PLASTIQUE	PLASTIKRING MUTTER



EDIPROM
9818.03

20 - 30 - 40 - CONTROL BOX - SCATOLA DI CONTROLLO - BOITE ELECTRIQUE - SCHALTSCHRANK

ITEM NO POS NO REP. NO REF. NO	PART NO CODICE REFERENCE STUECK NR	DESCRIPTION	DESCRIZIONE	DESIGNATION	BESCHREIBUNG
1	620442 01	SWITCH	INTERRUTTORE	INTERRUPTEUR	SCHALTER
2	630114 01	TERMINAL BOARD	MORSETTIERA	BORNIER	KLAMMERNSPLETTE
3	620264 11	EVAPORATOR THERMOSTAT	TERMOSTATO EVAPORATORE	THERMOSTAT EVAPORATEUR	VERDAMPFER THERMOSTAT
4	620209 00	BIN THERMOSTAT	TERMOSTATO CONTENITORE	THERMOSTAT CONTENEUR	BEHÄLTER THERMOSTAT
5	620443 00	THERMOSTAT - SAFETY	TERMOSTATO DI SICUREZZA	THERMOSTAT DE SECURITÉ	SICHERHEITSTHERMOSTAT