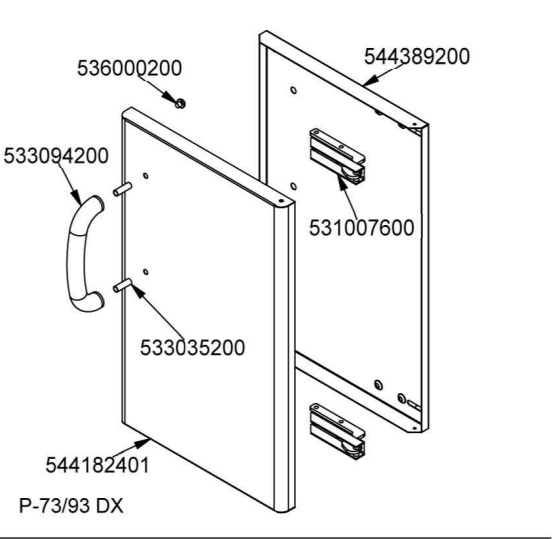
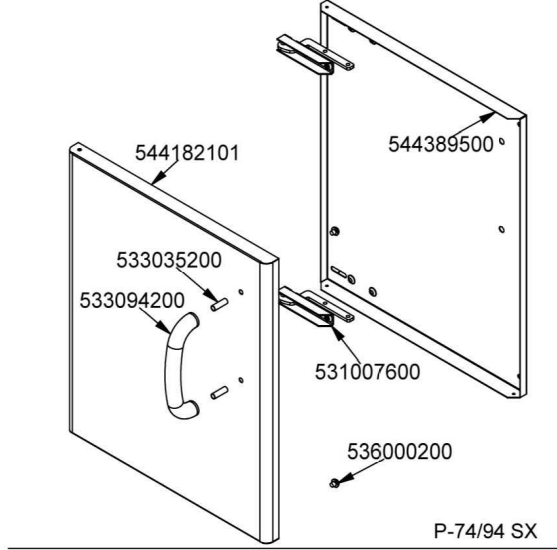




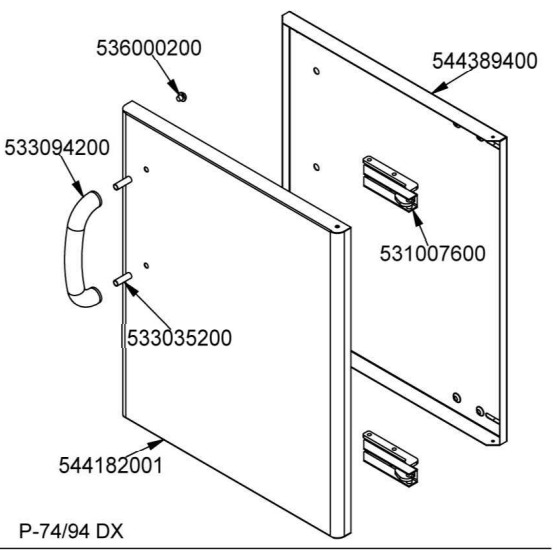
P-73/93 SX



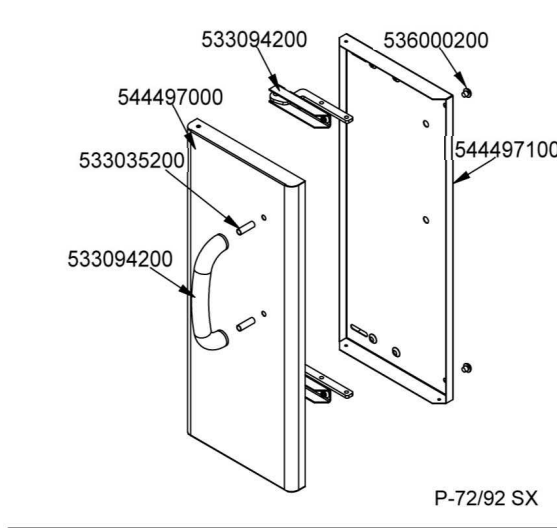
P-73/93 DX



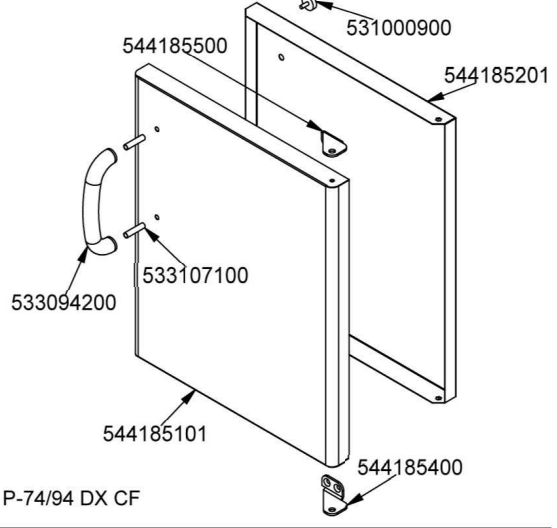
P-74/94 SX



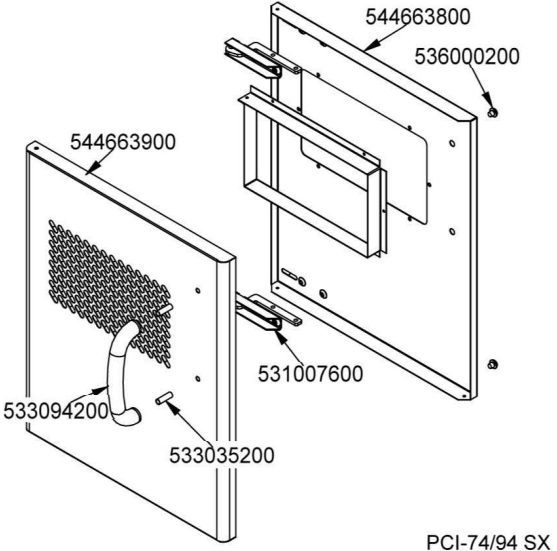
P-74/94 DX



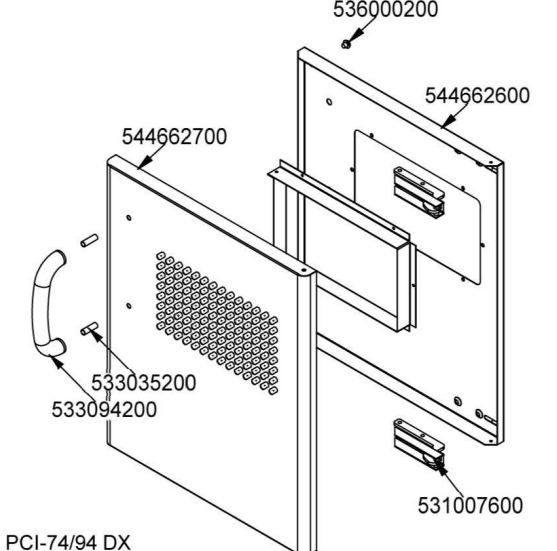
P-72/92 SX



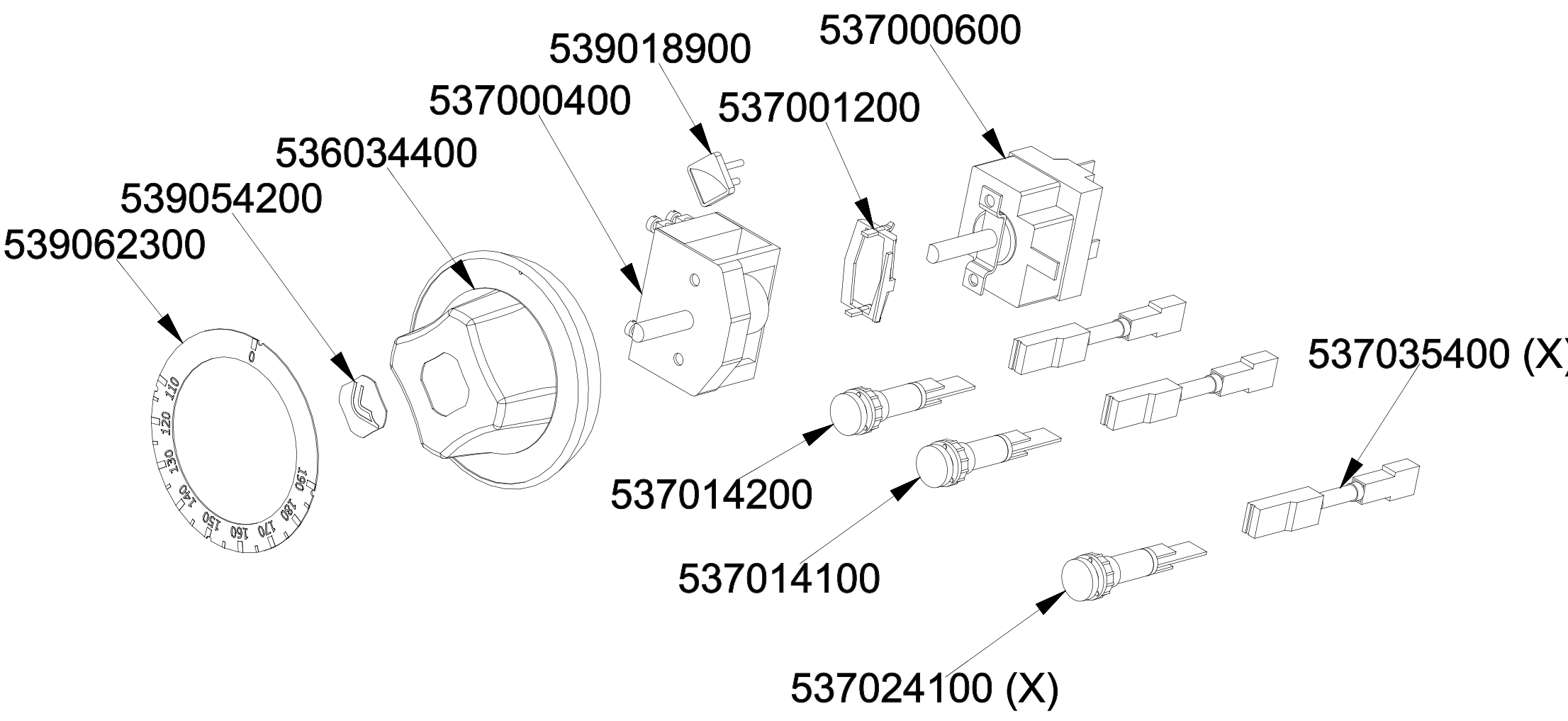
P-74/94 DX CF



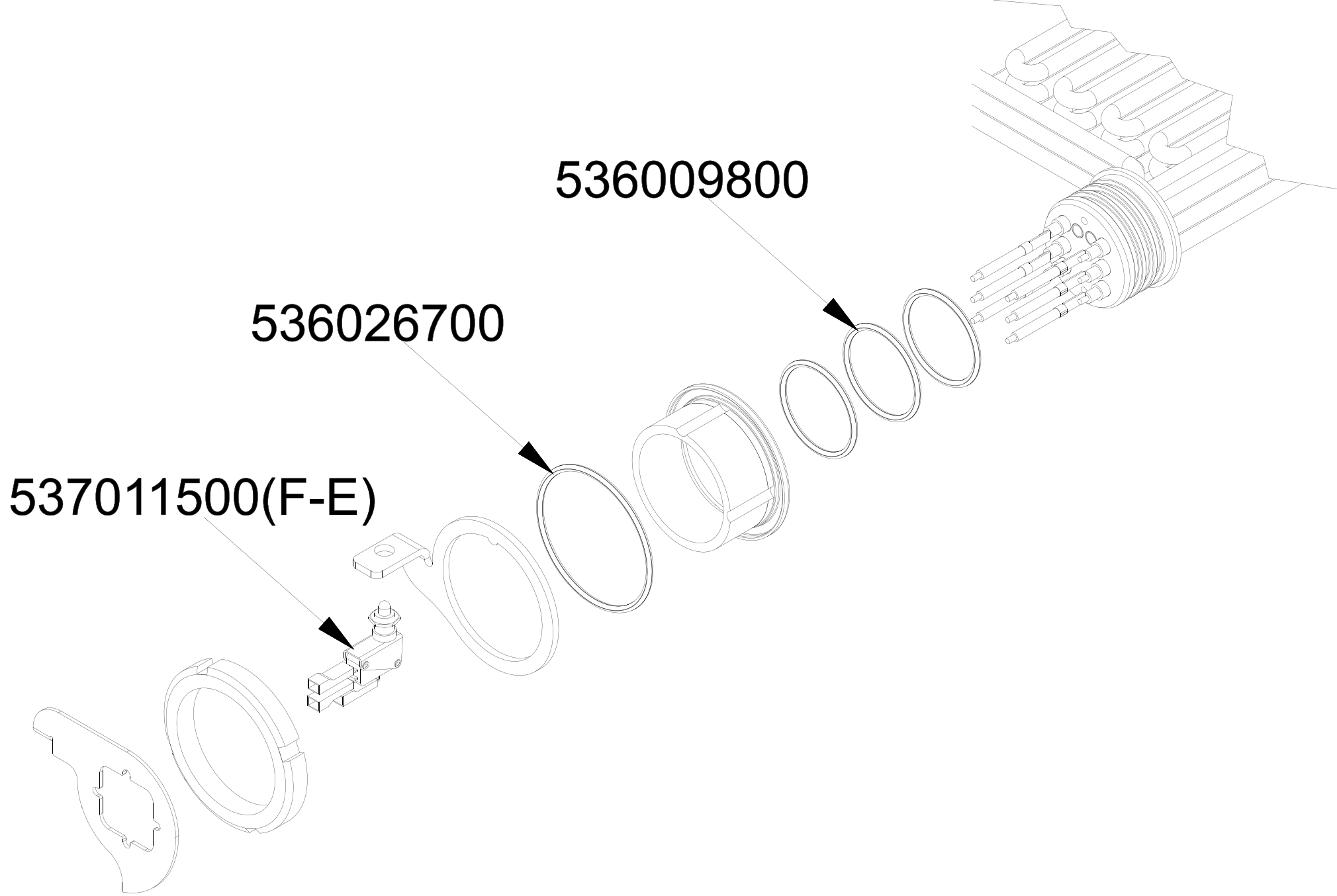
PCI-74/94 SX



PCI-74/94 DX



560100200M01P00



560111000 M00P00

Page	Pos	Code	Description
001		533094200	S/S HANDLE FOR 70/90 SERIES
001		544421500	LID FOR FRYER 90 LINE
001		531040300	TANK FILTER/BASKET SUPPORT F18+94E
001		531040500	TANK FILTER/BASKET SUPPORT F25-94E
001		541116101	UPPER PLATE F18-94E
001		541116301	UPPER PLATE F2/18-98E
001		541116201	UPPER PLATE F25-94E
001		541116401	UPPER PLATE F2/25-98E
001		531041300	BASKET FOR F18-94E 280X290X150
001		531041700	BASKET F25-94G/E 1/2 140X450X150
001		541156900	DISCHARGE PROTECTION S70
001		532004100	FLUE GRID L=370 90LINE (RAF
001		537027400	TERMINAL BLOCK THREEPHASE 40A
001		531018600	BALL VALVE 1"G M-F CPM-62G
001		536023100	O-RING GASKET 31,34X3,53 VITON
001		533090000	TUBO SC.PROLUNGA RUBINETTO F S90
001		533038200	1" G M-F ELBOW FITTING
001		537026700	HEATING EL.13500W 230V 3 ROTAT.EL.
001		537026701	RES.COR.ROT.F18 15900W 3-230V
001		537029200	HEATING EL. 13500W 440V 3 ROTAT.EL.
001		537029201	RES.COR.ROT.F18 15900W 3-440V
001		537026800	HEATING EL.19500W 230V 3 ROTAT.EL.
001		537026801	RES.COR.ROT.F25 22000W 3-230V
001		537029400	HEATING EL. 19500W 440V 3 ROTAT.EL.
001		537029401	RES.COR.ROT.F25 22000W 3-440V
001		537035400	HEATING ELEMENT 00003W 330KOHM W/F
001		537014200	GREEN WARNING LIGHT 250V
001		537014100	WHITE WARNING LIGHT 250V
001		537024100	RED WARNING LIGHT LOW BUD 110V
001		541107500	CONTROL PANEL F13/18-74E
001		541140900	CONTROL PANEL 607090 F13-74ETX
001		541107600	CONTROL PANEL F2/13/18-78E
001		541141000	CONTROL PANEL 607090 F2/13-78ETX
001		544407400	LEFT SIDE PANEL 70 LINE
001		537037300	HEATING ELEMENT 00003W 56KO
001		537037100	ACOUSTIC SIGNALLER 230VAC
001		537037400	NORM.CONTACT*CLOSED TELER.35A
001		537009500	REMOTE CONTR.SWITCH35A 690V B.230V
001		537031500	REMOTE CONTROL SWITCH 3RT102 35A 23
001		537037000	REMOTE CONTROL SWITCH 35A 400VB0BIN
001		537041500	REMOTE CONTROL 32A 690V BOBINE 460V
001		533044401	M8 THREADED CAP FOR SEC.THERMOSTAT
001		537036500	TERMINAL BLOCK 4POLES 40A SCREW-SCR
001		537001300	SAFETY THERMOST.235°C SINGLEPH+NUT
001		537001400	SAFETY THERMOSTAT 235°C THREEPHASE
001		531015900	ADJUSTABLE LEG 2"
001		536005200	INOX LEG 2" 120-180 M10
001		544407300	RIGHT SIDE PANEL 90 LINE
002		544389300	CONTROP.73 SX APP. LT
002		531007600	DOOR HINGE
002		544182501	LEFT DOOR 73

Page	Pos	Code	Description
002		533094200	S/S HANDLE FOR 70/90 SERIES
002		533035200	HANDLE SPACER
002		536000200	D.12 H.4 BUMPER
002		544389200	CONTROP.73 DX APP. LT
002		544182401	RIGHT DOOR 73
002		544182101	LEFT DOOR 74
002		544389500	INNER-DOOR OF LHD 74
002		544389400	CONTROP.74 DX APP. LT
002		544182001	RIGHT DOOR 74
002		544497000	PORTA 72 SX
002		544497100	CONTROP.72 SX APP. LT
002		544185101	RIGHT DOOR 74 CF
002		533107100	HANDLE SPACER OF CF-70
002		544185500	UPPER DOOR HINGE FOR COMPARTME CF70
002		531000900	MAGNET §22 KG.3 WITH DISK
002		544185201	INNER DOOR * 74DX
002		544185400	LOWER DOOR HINGE FOR COMPARTME CF70
002		544663900	LHD 74 DOOR FOR PCI
002		544663800	74 LHD OVEN INNER DOOR FOUR PCI
002		544662700	DOOR 74 DX PCI
002		544662600	CONTROP.74 DX APP. LT PCI
003		537000600	THERMOSTAT 90-180°C SINGLEPHASE
003		539018900	INDEX FOR KNOB W/RED SIGN
003		537000400	COMMUTATOR 1POS.SINGLEPHASE S49 16A
003		537001200	FIXING BRACKET FOR THERMOSTAT/COMM.
003		536034400	KNOB §77 4P. §06*4,6 C/M
003		539054200	STAMP Ø20,5 CR."L" LOTUS R.
003		539062300	RED STICKING DISK 72 (110,190°
003		537035400	HEATING ELEMENT 00003W 330KOHM W/F
003		537014200	GREEN WARNING LIGHT 250V
003		537014100	WHITE WARNING LIGHT 250V
003		537024100	RED WARNING LIGHT LOW BUD 110V
004		536009800	GASKET O-RING 47,22X3,53 VITON
004		536026700	GASKET O-RING 74,61X3,53 VITON
004		537011500	MICRO-SWITCH 10A 400V