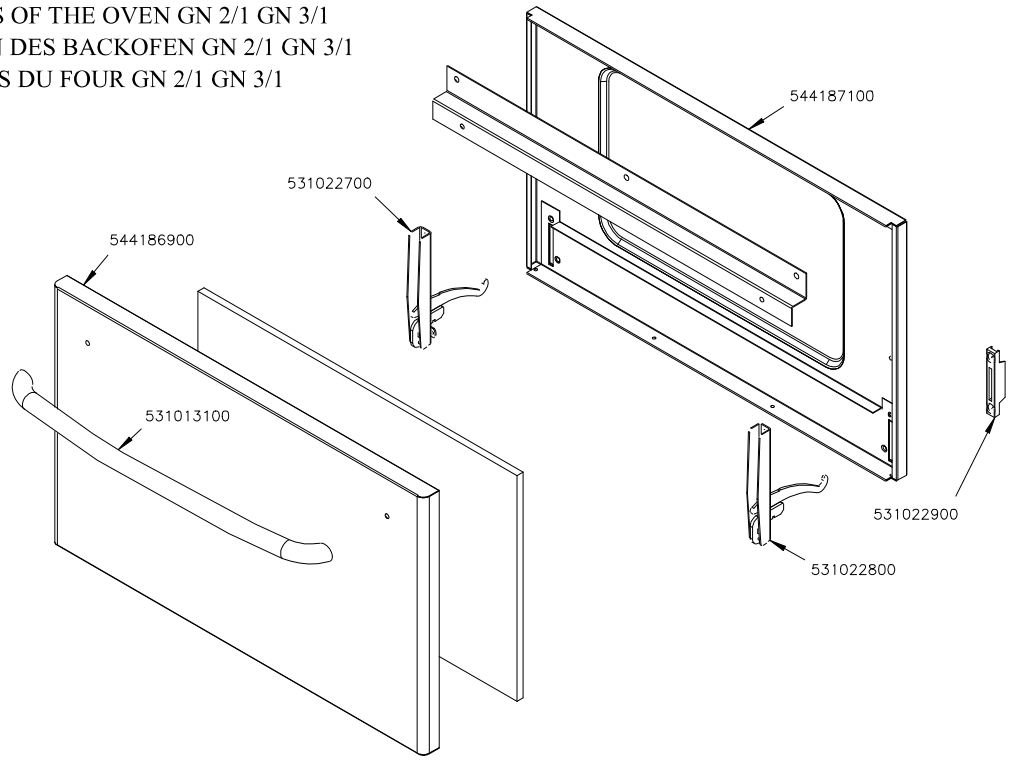
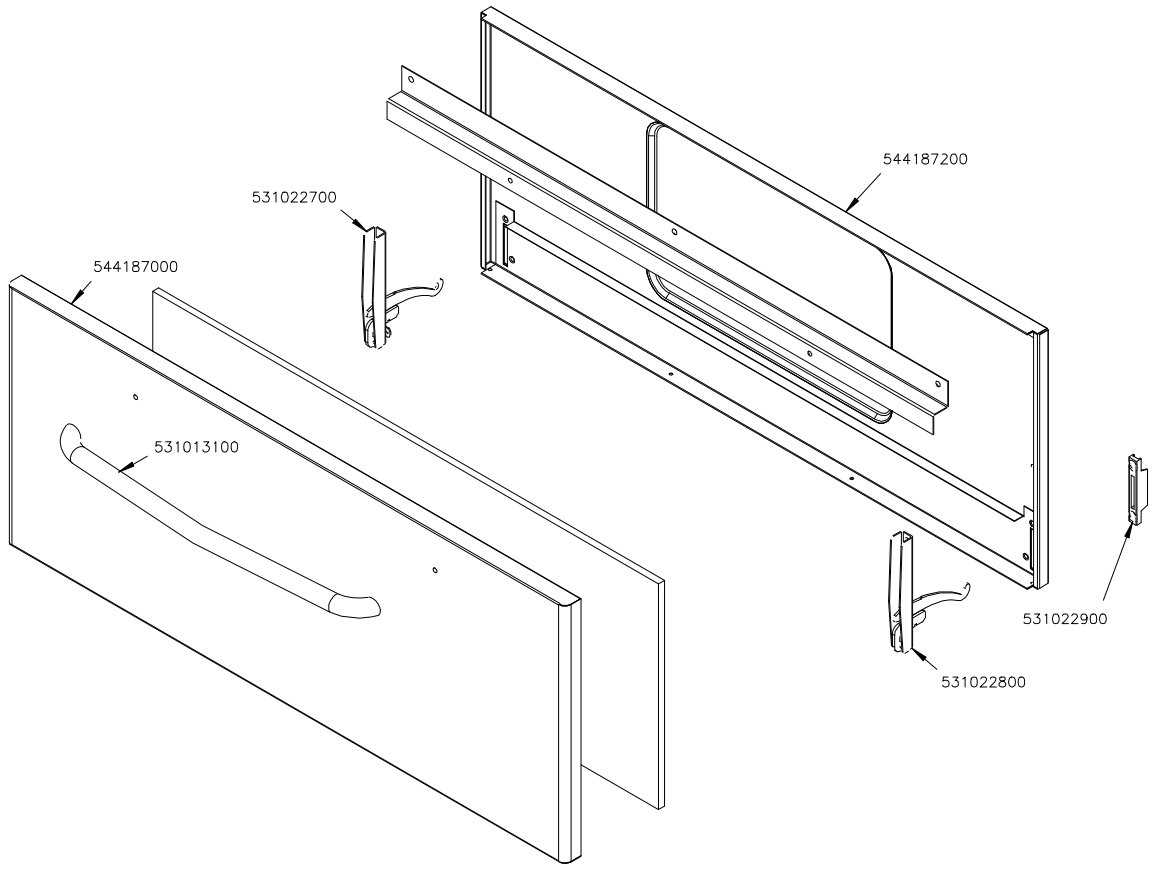


PORTE FORNO GN 2/1 GN 3/1
DOORS OF THE OVEN GN 2/1 GN 3/1
TUREN DES BACKOFEN GN 2/1 GN 3/1
PORTES DU FOUR GN 2/1 GN 3/1

GN 2/1



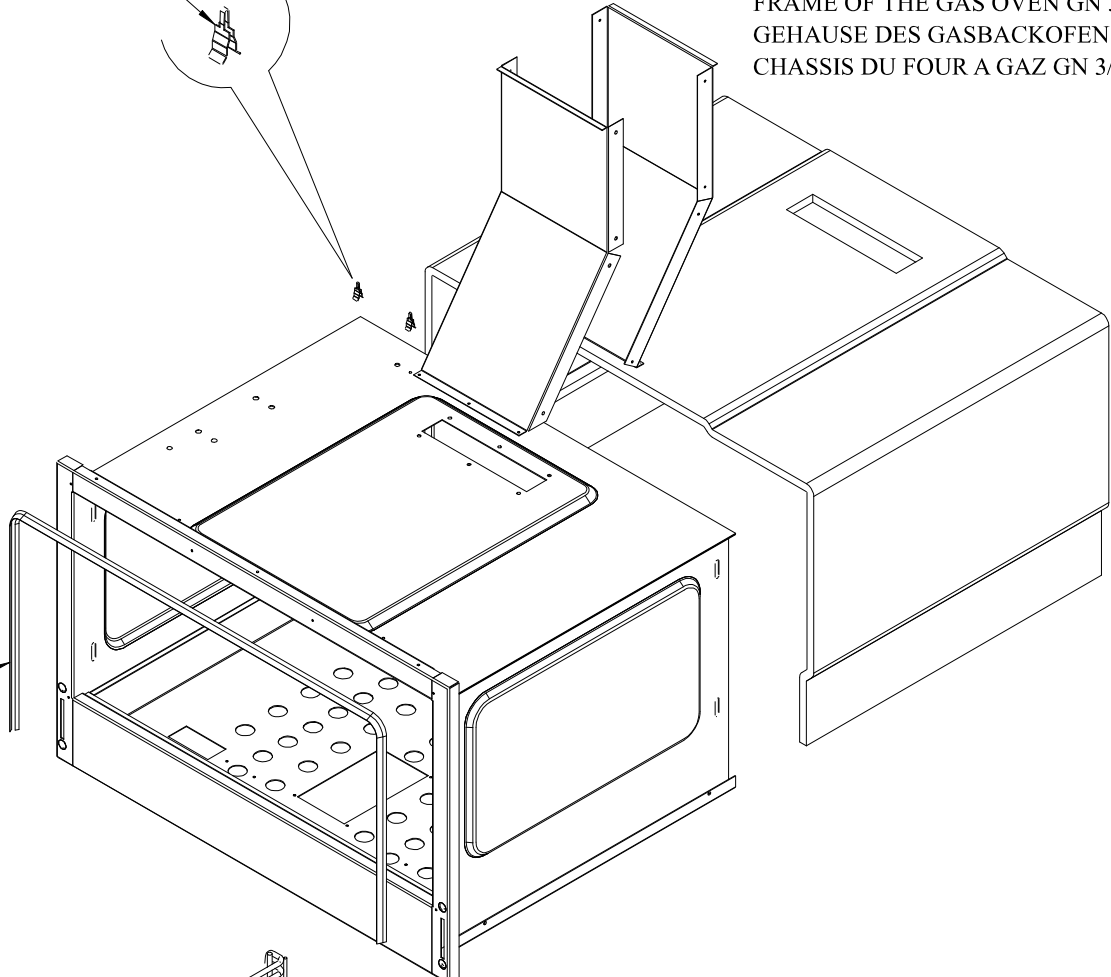
GN 3/1



533033800

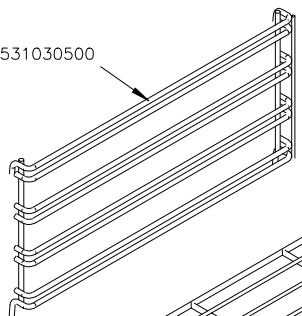


FORNO GN2/1 GAS CARCASSA
FRAME OF THE GAS OVEN GN 3/1
GEHAUSE DES GASBACKOFEN GN 3/1
CHASSIS DU FOUR A GAZ GN 3/1

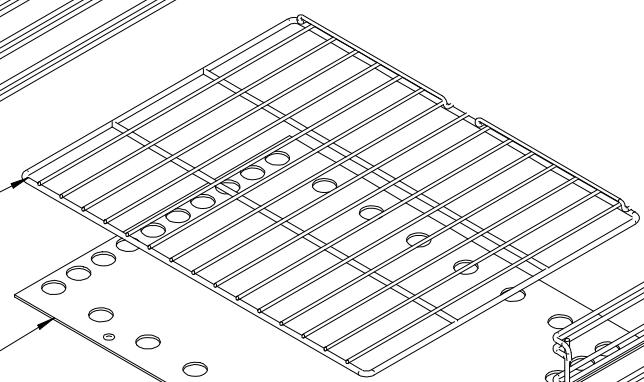


536010800

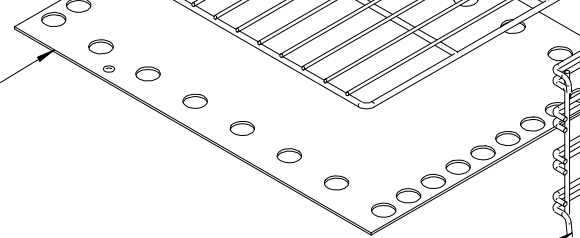
531030500



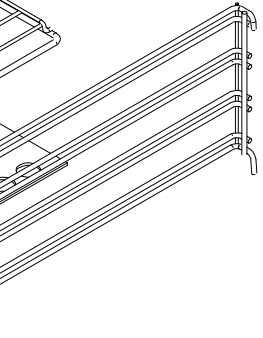
531030200



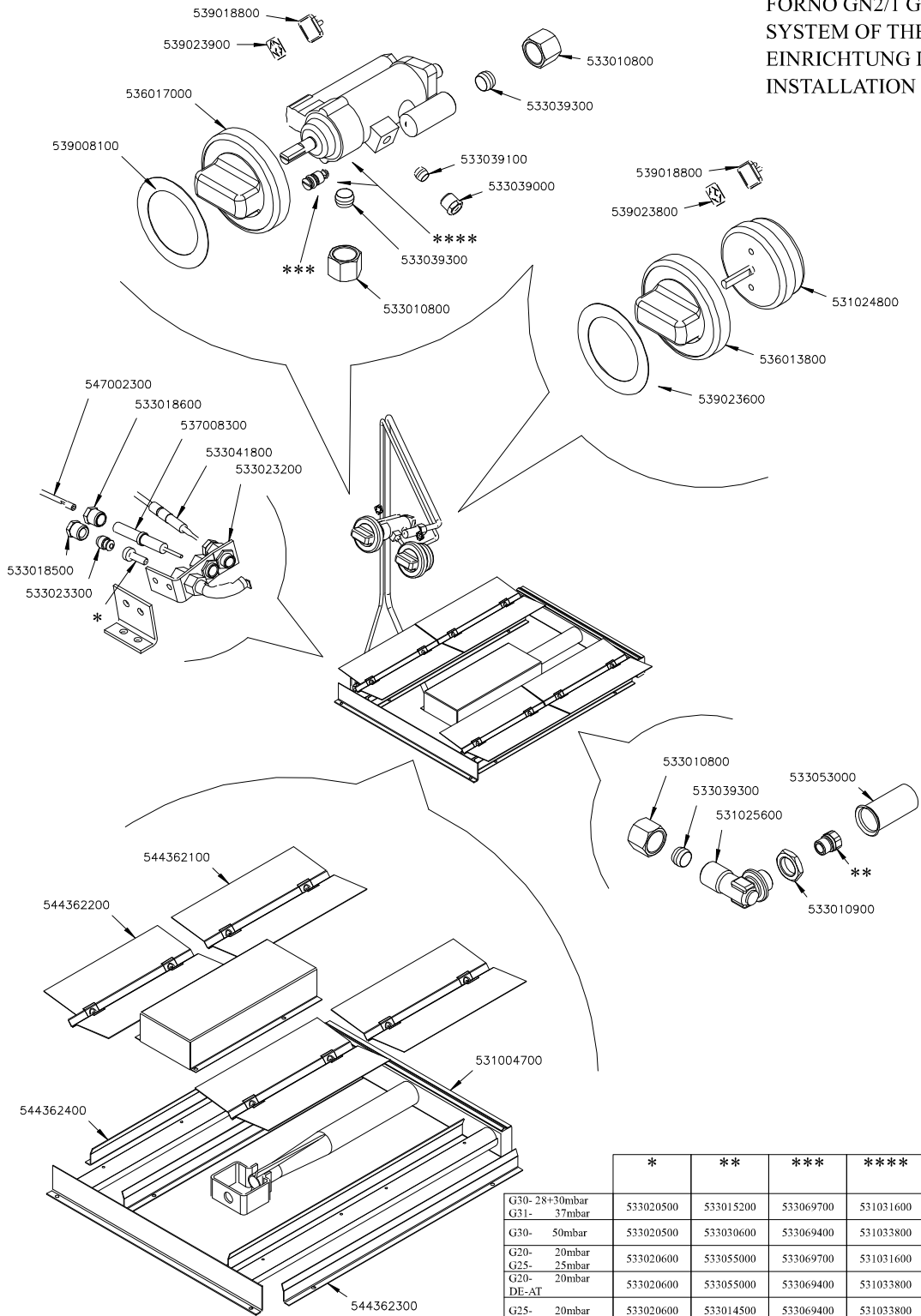
544171700



531030400

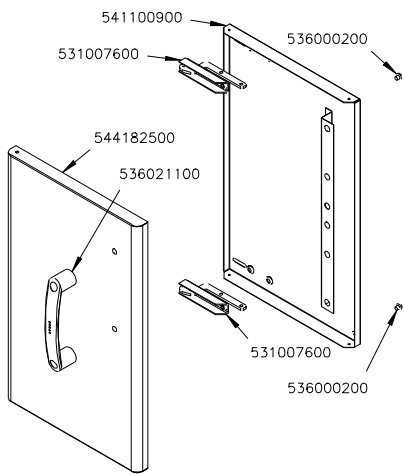


FORNO GN2/1 GAS IMPIANTO
 SYSTEM OF THE GAS OVEN GN 3/1
 EINRICHTUNG DES GASBACKOFEN GN 3/1
 INSTALLATION DU FOUR A GAZ GN 3/1

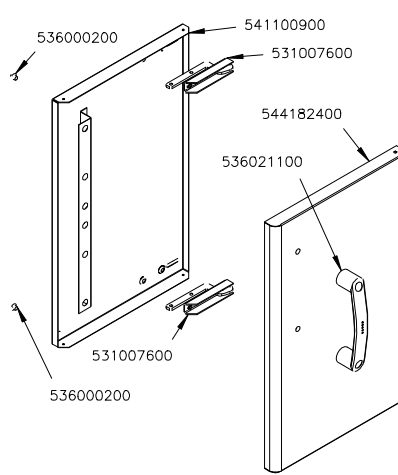


	*	**	***	****
G30- 28+30mbar	533020500	533015200	533069700	531031600
G31- 37mbar				
G30- 50mbar	533020500	533030600	533069400	531033800
G20- 20mbar	533020600	533055000	533069700	531031600
G25- 25mbar				
G20- 20mbar	533020600	533055000	533069400	531033800
DE-AT				
G25- 20mbar	533020600	533014500	533069400	531033800
G25- 25mbar	533020600	533055100	533069700	531031600
NL				

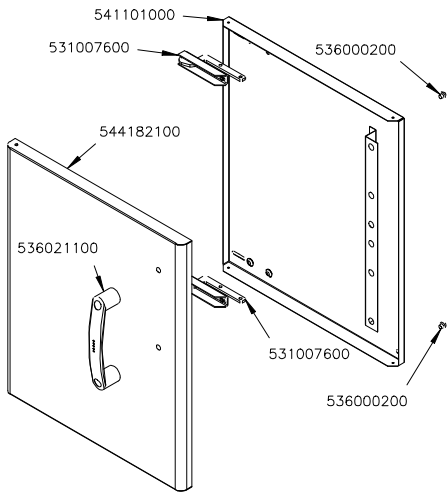
PORTE MOBILE / DOORS OF THE STAND / FLUGELNEN DES UNTERSCHRANK / PORTES DU PLACARD



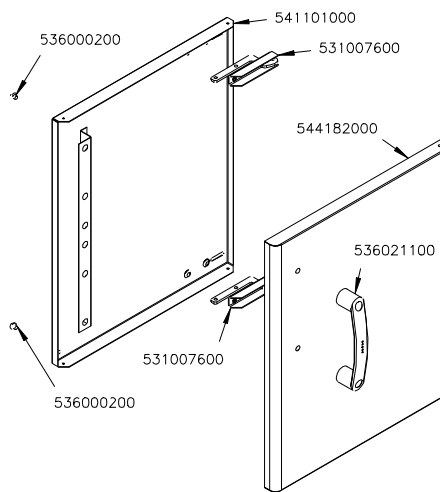
P-73 SX



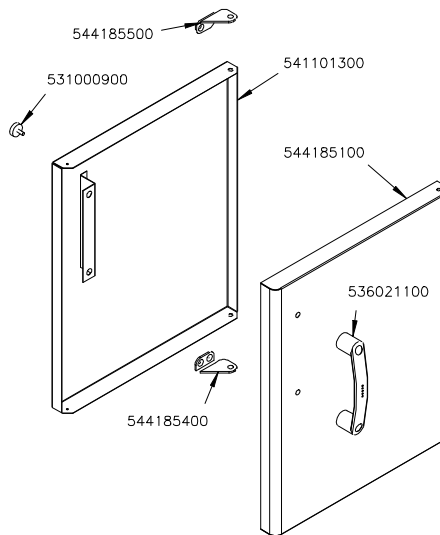
P-73 DX



P-74 SX

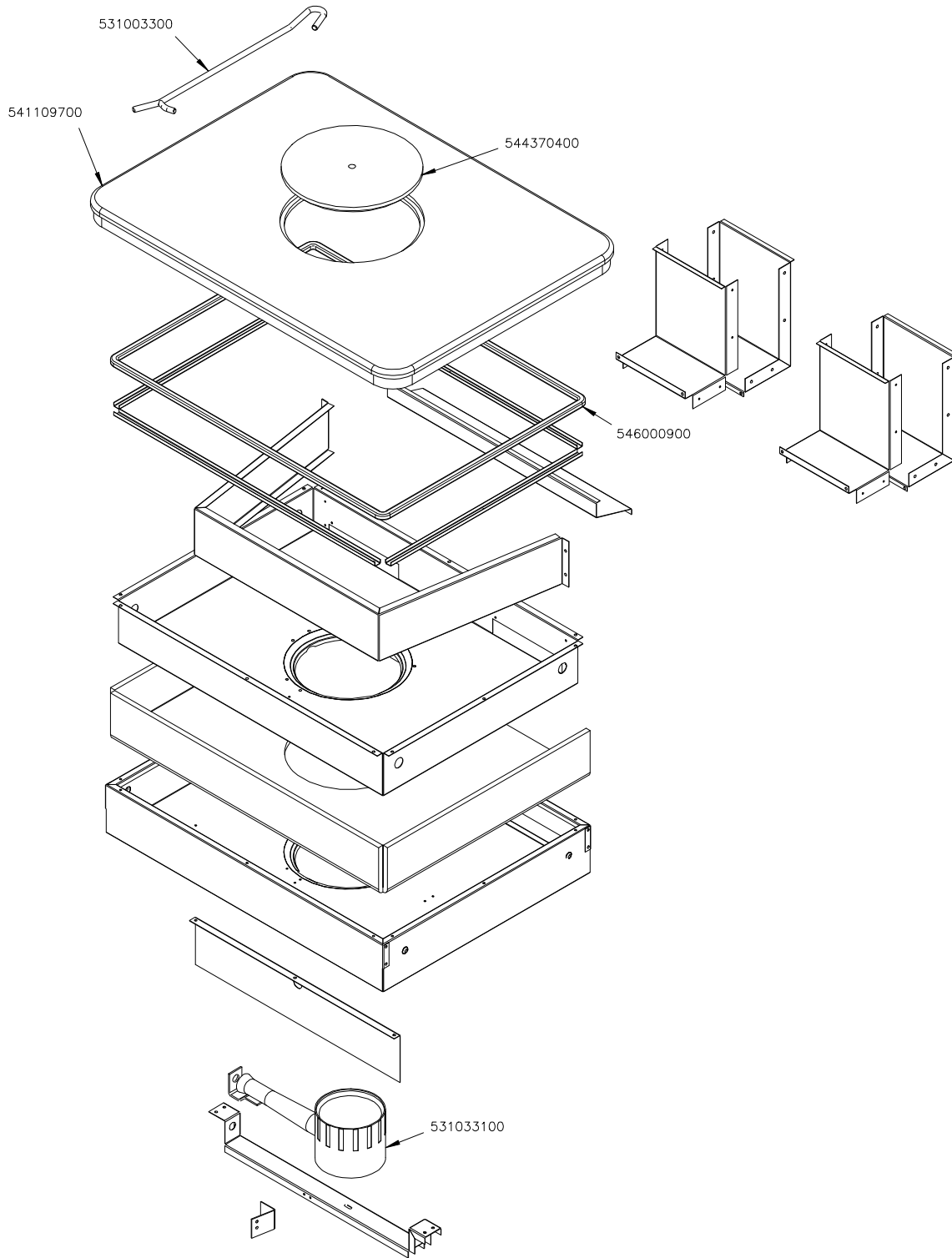


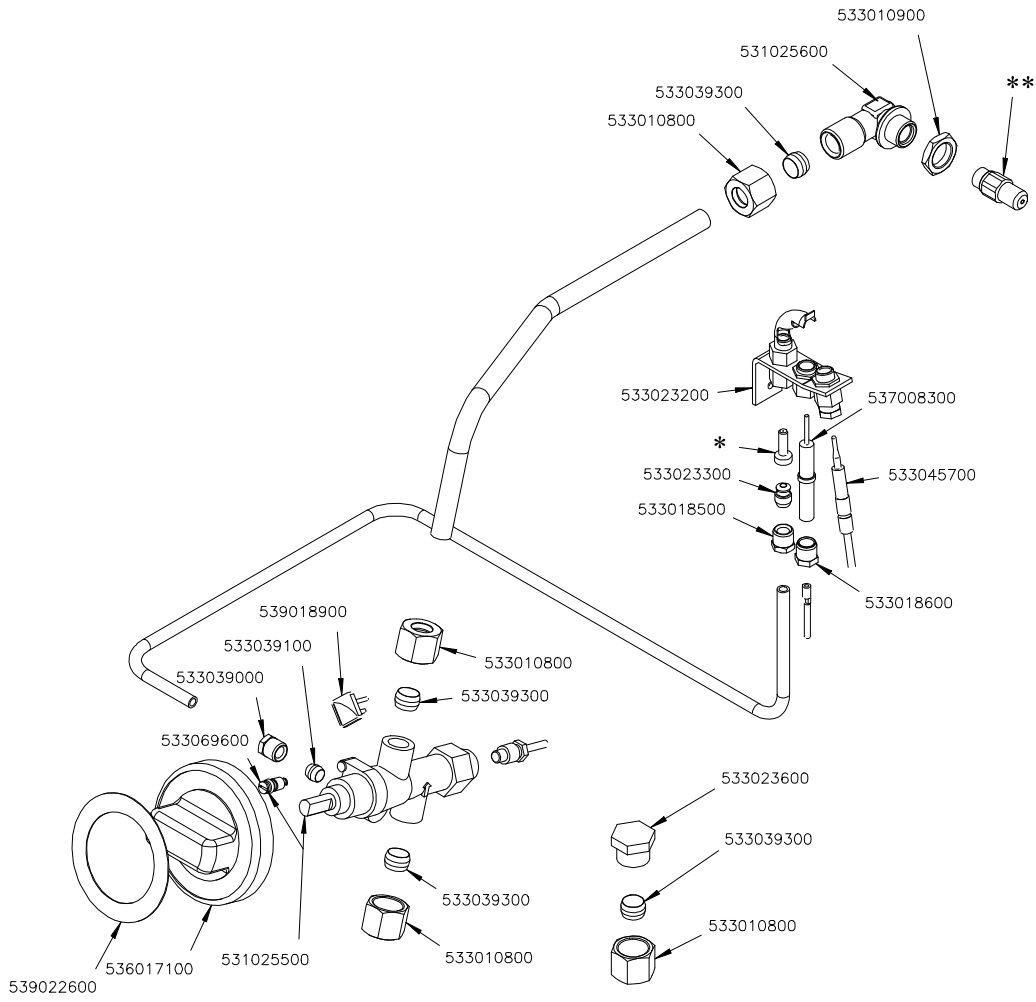
P-74 DX



P-74 DX CF

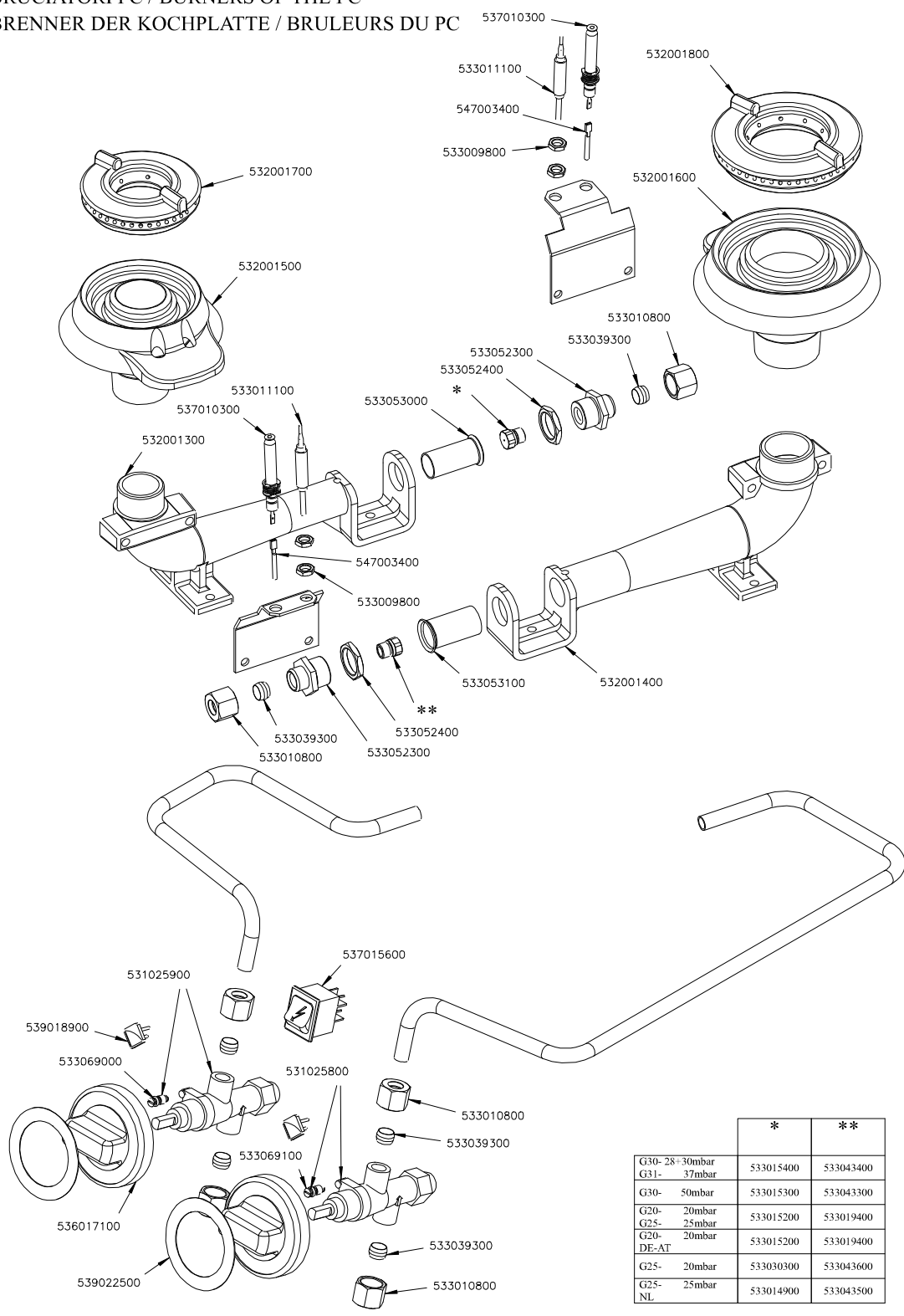
TP CARCASSA / TP CASING / TP GEHAUSE / CARCASSE





	*	**
G30- 28+30mbar G31- 37mbar	533020500	533019600
G30- 50mbar	533020500	533046200
G20- 20mbar G25- 25mbar	533020600	533057500
G20- 20mbar DE-AT	533020600	533057500
G25- 20mbar	533020600	533032801
G25- 25mbar NL	533020600	533032001

BRUCIATORI PC / BURNERS OF THE PC
 BRENNER DER KOCHPLATTE / BRULEURS DU PC



	*	**
G30- 28-30mbar	533015400	533043400
G31- 37mbar		
G30- 50mbar	533015300	533043300
G20- 20mbar	533015200	533019400
G25- 25mbar		
G20- 20mbar	533015200	533019400
DE-AT		
G25- 20mbar	533030300	533043600
G25- 25mbar	533014900	533043500
NL		

Page	Pos	Code	Description
001		532002800	GRID FOR PIPE L=370 S.70
001		541109800	PERFORATED SPACER 712
001		537007600	TERMINAL BLOCK SINGLEPHASE 40A
001		536011700	HEXAGONAL LOCK NUT PG-11
001		537013700	CABLE SECURING CLAMP PG-11
001		533009200	REDUCTION FOR 65 AND 70 LINE
001		532002300	1 FLAME GRILL 346X274 (70)
001		544301100	ENAMELLED BURNER DRIP PAN 1/2
001		544369300	UPPER PLATE TP2-712G
001		544173300	LEFT SIDE PANEL RANGE S.70
001		537006600	IGNITION UNIT 4 FLAMES V230
001		541110300	CONTROL PANEL TPF2-712G/GV
001		536005200	INOX LEG 2" 120-180 M10
001		544173200	RIGHT SIDE PANEL RANGE S.70
003		544187100	OVEN INNER DOOR GN 2/1 S.70
003		531022900	HINGE DOOR WHEEL HOLDER S.70
003		531022800	LEFT OVEN DOOR HINGE S.70
003		531022700	RIGHT OVEN DOOR HINGE 70LINE
003		544186900	OVEN DOOR GN 2/1 S.70
003		531013100	OVEN DOOR HANDLE OF 70/90-LINE
003		544187200	
003		544187000	OVEN DOOR GN 3/1 S.70
004		533033800	LOCK SPRING FOR BULB §6
004		536010800	OVEN GASKET GN 2/1 (1261)
004		531030500	LHD SUPPORT GRID FOR OVEN OF 70LINE
004		531030200	OVEN GRID GN 2/1 FOR 70 LINE
004		544171700	BOTTOM FOR GAS OVEN GN2/1 700LINE
004		531030400	RHD SUPPORT GRID FOR OVEN OF 70LINE
005		539018800	INDEX FOR OVEN KNOB
005		539023900	SIGN PLATE FOR OVEN TEMPERATURE
005		533010800	TUBE NUT D.10 M16*1,5
005		536017000	BLACK KNOB §70 PIN §8*6,5
005		539008100	ADHESIVE GRADUATED DISC FOR KNOB
005		533039300	BICONE §10
005		533093100	
005		533039000	NUT FOR PILOT TUBE §6
005		539023800	SIGN PLATE FOR OVEN TIMER
005		531024800	TIMER 120'- 360°
005		536013800	KNOB D.70 BLACK 6*5 WITH SPRING
005		539023600	ADHESIVE GRADUATED DISC FOR KNOB
005		547002300	HIGH-VOLTAGE CABLE §2 L=1900
005		533018600	PLUG FITTING
005		537008300	ROUND PLUG §2,4- LONG ELECTRODE
005		533041800	THERMOCOUPLE 1500 M9*1
005		533023200	"TARGET" PILOT + NIPPLE TC BRAC.90°
005		533018500	FITTING FOR BICONE D.6 M10*1
005		533023300	BICONE §6 ("TARGET" PILOT)
005		531025600	ELBOW 90° NOZZLE-HOLDER §10 PIPE
005		533053000	AIR ADJUSTMENT BUSHING §18
005		533010900	NUT M14*1 H.4
005		544362100	UPPER BURNER DEFLECTOR FOR OVEN 70

Page	Pos	Code	Description
005		544362200	UPPER PILOT DEFLECTOR FOR OVEN 70
005		544362400	SIDE PILOT DEFLECTOR FOR OVEN 70
005		531004700	BURNER FOR OVEN GN 2/1 S.70
005		544362300	SIDE BURNER DEFLECTOR FOR OVEN 70
005		533020500	NOZZLE 0.140 §19
005		533015200	NOZZLE §145 CH12*14 F-FP/CP6
005		533069700	BY PASS COCK §075 25ST
005		531031600	HORIZON.THERMOSTATIC TAP BY-PASS 75
005		533030600	NOZZLE §125 CH12*14
005		533069400	BY PASS COCK §065 25ST
005		531033800	HORIZON.THERMOSTATIC TAP BYPASS §65
005		533020600	NOZZLE 0.140 §27
005		533055000	NOZZLE §205 CH12*14 G25 CW4
005		533014500	NOZZLE §225 CH12*14 OVEN GN 2/1
005		533055100	NOZZLE §215 CH12*14 L-CW4
006		541100900	INNER DOOR 73
006		536000200	D.12 H.4 BUMPER
006		531007600	DOOR HINGE
006		544182500	RIGHT DOOR 73
006		536021100	BLACK HANDLE 70LINE + 2RED POINTS
006		544182400	RIGHT DOOR 73
006		541101000	INNER DOOR 74
006		544182100	LEFT DOOR 74
006		544182000	RIGHT DOOR 74
006		544185500	UPPER DOOR HINGE FOR COMPARTME CF70
006		531000900	MAGNET §22 KG.3 WITH DISK
006		541101300	RIGHT INNER DOOR 74 CF
006		544185100	RIGHT DOOR 74
006		544185400	LOWER DOOR HINGE FOR COMPARTME CF70
007		531003300	TP-PLATE LIFTING HOOK
007		541109700	PLATE TP-78G
007		544370400	RING PLATE TP S.70
007		546000900	SQUARE BRAID OF INSULATING MATERIAL
007		531033100	BURNER TP..-78G
008		533010900	NUT M14*1 H.4
008		531025600	ELBOW 90° NOZZLE-HOLDER §10 PIPE
008		533039300	BICONE §10
008		533010800	TUBE NUT D.10 M16*1,5
008		533023200	"TARGET" PILOT + NIPPLE TC BRAC.90°
008		533023300	BICONE §6 ("TARGET" PILOT)
008		533018500	FITTING FOR BICONE D.6 M10*1
008		537008300	ROUND PLUG §2,4- LONG ELECTRODE
008		533045700	THERMOCOUPLE M9*1 500
008		533018600	PLUG FITTING
008		539018900	INDEX FOR KNOB
008		533039100	BICONE §6
008		533039000	NUT FOR PILOT TUBE §6
008		533069600	BY PASS COCK §130 20S-21S
008		539022600	GRADUATED STICKER FOR KNOB
008		536017100	BLACK KNOB §70 PIN §8*6,5
008		531025500	GAS COCK 21S P.V.BY-PASS Ø130

Page	Pos	Code	Description
008		533023600	TAP PLUG §10 M16*1, 5CH19
008		533020500	NOZZLE 0.140 §19
008		533019600	NOZZLE §165 CH12*30 MH-FT5 H-FT6
008		533046200	NOZZLE §150 CH12X30 L-BR TP
008		533020600	NOZZLE 0.140 §27
008		533057500	NOZZLE §260 CH12X30
008		533032801	NOZZLE §280 CH12*30 M-CPM
008		533032001	NOZZLE §270 CH12*30 MH-CPM
009		537010300	PLUG IGNITION WITH SPRING PC65
009		532001800	QUICKBURNER §102
009		533011100	THERMOCOUPLE 600 M8*1
009		547003400	HIGH-VOLTAGE CABLE L=900
009		533009800	BRASS NUT M8*1
009		532001700	QUICKBURNER §82
009		532001600	BURNER BODY 5,5 KW
009		532001500	BURNER BODY 3,5 KW
009		533010800	TUBE NUT D.10 M16*1,5
009		533039300	BICONE §10
009		533052300	JOINT FOR NOZZLE HOLDER
009		533052400	NUT M20*1 H4
009		533053000	AIR ADJUSTMENT BUSHING §18
009		532001300	BURNER VENTURI 3,5 KW
009		532001400	BURNER VENTURI 5,5 KW
009		533053100	AIR ADJUSTMENT BUSHING §20
009		537015600	BIPOLAR SWITCH
009		531025900	SAFETY TAP 20S-B PEL20S21070
009		539018900	INDEX FOR KNOB
009		533069000	BY PASS COCK §70 20S-21S
009		536017100	BLACK KNOB §70 PIN §8*6,5
009		539022500	ADHESIVE GRADUATED DISC FOR KNOB
009		531025800	SAFETY TAP 20S-B PEL20S2160
009		533069100	BY PASS COCK §60 20S
009		533015400	NOZZLE §93 CH12*14 G-PC4 R
009		533043400	NOZZLE §117 CH12*14 G-PC4 UR
009		533015300	NOZZLE §82 CH12*14 F-PC4 R
009		533043300	NOZZLE §103 CH12*14 F-PC4 UR
009		533015200	NOZZLE §145 CH12*14 F-FP/CP6
009		533019400	NOZZLE §180 CH12*14 L-FQ5
009		533030300	NOZZLE §160 CH12*14 M-FPG
009		533043600	NOZZLE §200 CH12*14 L-PC4 UR
009		533014900	NOZZLE §150 CH12*14 F-FQ5 L-FQ6
009		533043500	NOZZLE §190 CH12*14 G25 PC4R