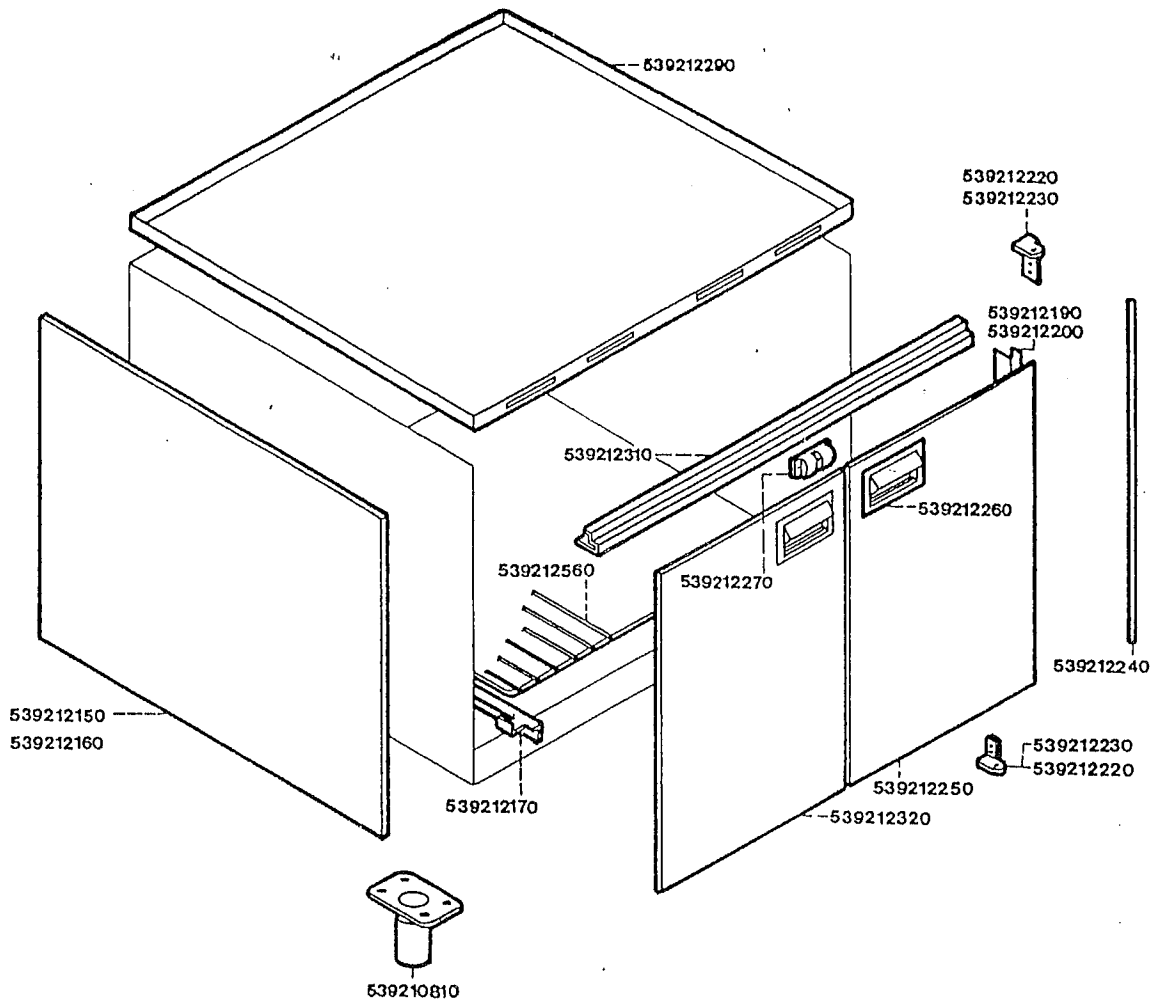


E350/49 HOTCUPBOARD

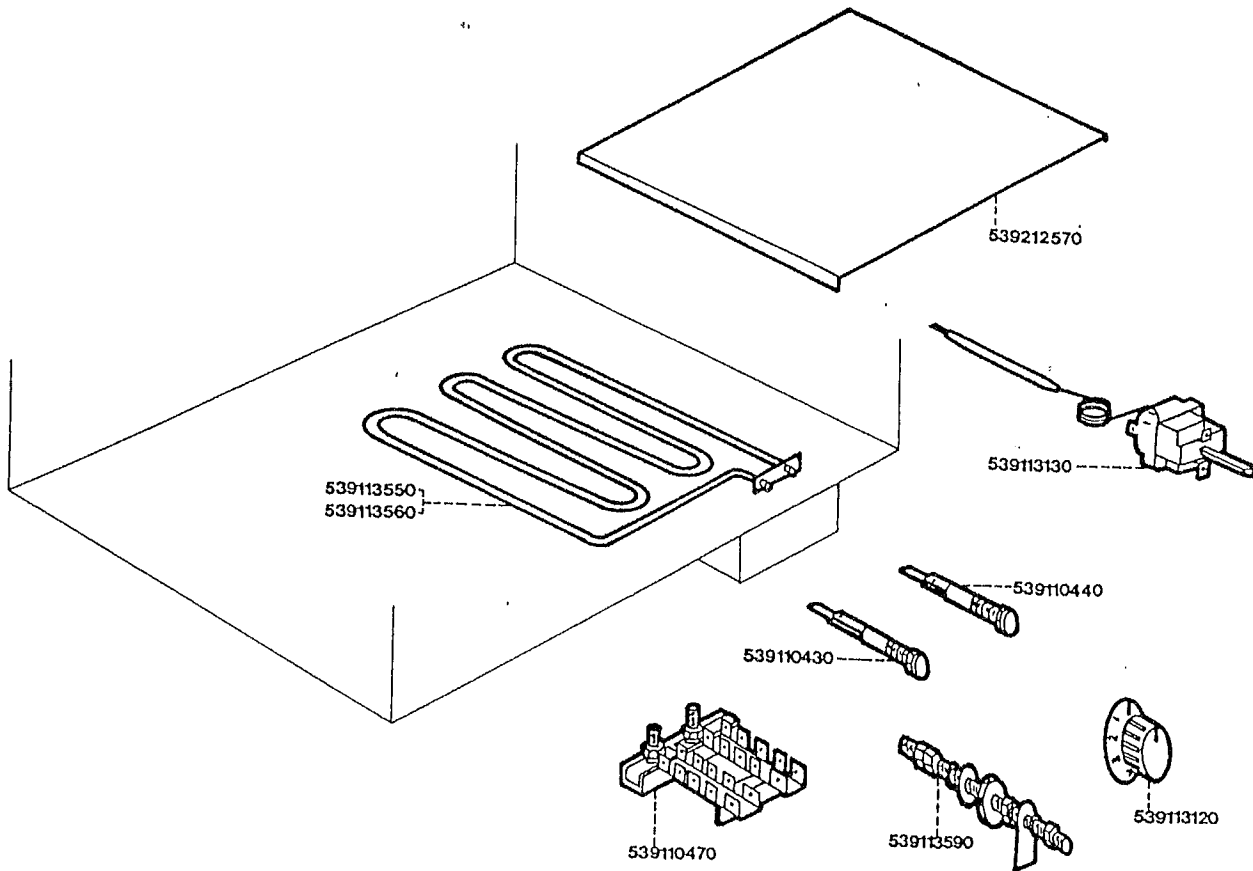
Fitments



Code No.	Description
D12 539212150	Outer Side Panel (LH)
D12 539212160	Outer Side Panel (RH)
C03 539212170	Shelf Runner
C11 539212190	Door Trim (RH)
C11 539212200	Door Trim (LH)
B06 539212220	Top Door Hinge (RH)
	Bottom Door Hinge (LH)
B06 539212230	Bottom Door Hinge (RH)
	Top Door Hinge (LH)
B06 539212240	Door Hinge Rod
G01 539212250	Door Complete (RH)
B08 539212260	Door Handle
B06 539212270	Door Catch Assembly
D01 539210810	Foot Assembly
F06 539212290	Top Panel
D09 539212310	Door Catch Trim
G01 539212320	Door Complete (LH)
E10 539212560	Grid Shelf

E350/49 HOTCUPBOARD

Controls



Code No.	Description
B07 539110430	Neon Indicator (Amber)
B07 539110440	Neon Indicator (Red)
B04 539110470	Terminal Block
B05 539113120	Thermostat Knob
E01 539113130	Thermostat
E12 539113550	Element (240V)
F05 539113560	Element (220V)
C10 539113590	Earth Terminal Assembly
D11 539212570	Element Baffle