

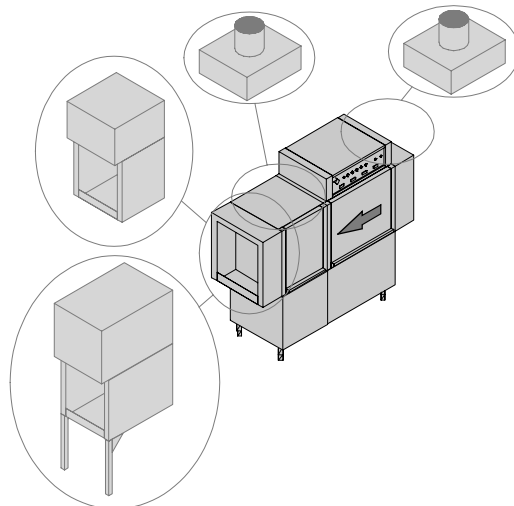
RACK CONVEYOR MACHINE

TYPE: 24

Accessories

HEAT RECOVERY - TR98
STEAM CONDENSER - LC 91
CONVEYOR SPEED ADJUSTING- LC 101
90° MOTORIZED CHAIN CONVEYOR - LC 97/2
180° MOTORIZED CHAIN CONVEYOR - LC 97/3
DRYER WITH 90° MOTORIZED CHAIN CONVEYOR - LC 97/4
DRYER WITH 180° MOTORIZED CHAIN CONVEYOR - LC 97/5
DRYER - LC 90
DRYER - LC 90/2
DRYER - LC 90/4
ADDITIONAL BOILER FOR COLD WATER SUPPLY
DVGW VALVE SYSTEM
DETERGENT ECONOMIZER SYSTEM
SPLASH ZONE WITH CILINDER - LC 94
TANKS INSULATION
DOUBLE SKIN
BOOSTER PUMP
DISPENSERS SYSTEM SDN-3
ANGLE LOADING TABLE - LC 98

Spare parts manual



1. Spare parts

Control Panel [.....	9
Electric parts	11
Machine structure in modules	15
Washing module 900	17
Rising module 600	19
Economizer components	21
Curtains group components	23
Inverter	25
Time relay	27
Heat recovery TR 98 - part 1	29
Heat recovery TR 98 - part 2	31
Heat recovery TR 98 - part 3	33
Dryer LC90 - LC 90/2 (6 - 12kW) - part 1	35
Dryer LC 90/4 (18kW) - part 1	37
Dryer LC 90 (6kW) - part 2	39
Dryer LC 90/2 (12kW) - part 2	41

Dryer LC 90/4 (18kW) - part 2	43
Dryer LC 90 - LC 90/2 -LC 90/4 (6 - 12 - 18kW) - electric components	45
Motorized curve 90° - LC 97/2	47
Dryer motorized curve 90° - LC 97/4	49
Motorized curve 90° - LC 97/2: electric parts	51
Motorized curve 90° - LC 97/2: electric parts double speed - remote control	53
Motorized curve 180° - LC 97/3	55
Dryer motorized curve 180° - LC 97/5	57
Motorized curve 180° - LC 97/3: electric parts	59
Motorized curve 180° - LC 97/3: electric parts double speed - remote control	61
Steam condenser - part 1	63
Steam condenser - part 2	65
Steam condenser - part 3	67
Additional boiler components	69
Additional boiler: electrical components	71
DVGW valve	73
Motorgear components module 900 ..	75
Washing components 5+3	77

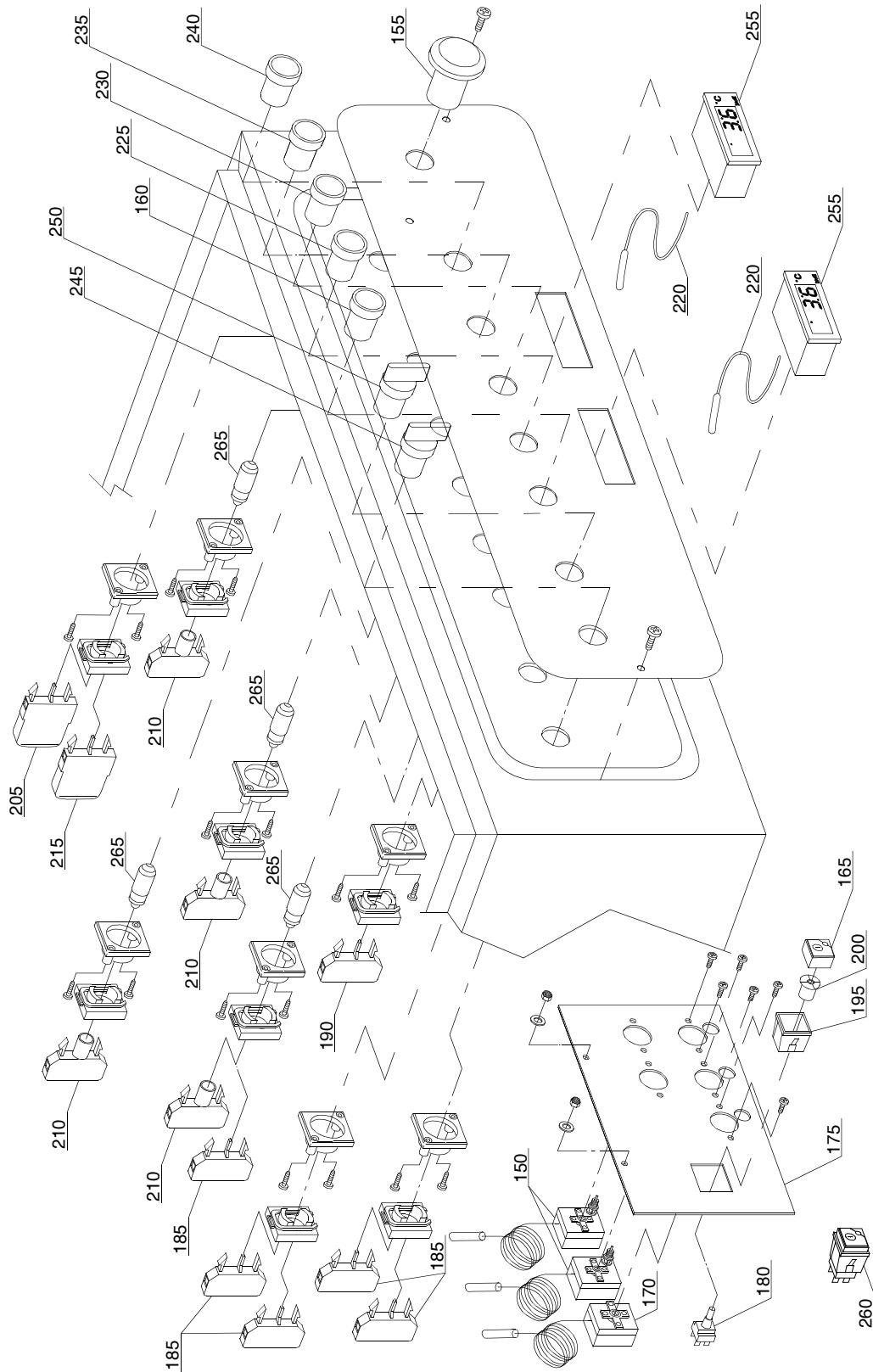
Prerinsing components	79
Internal components washing module 900	81
Internal components rinsing module 600	83
Rinsing components	85
Boiler components	87
Solenoid valves components	89
Solenoid valves components	89
Solenoid valves components	91
Solenoid valves components	93
Detergent economizer system	95
Conveyor parts	97
Splash zone with cilinder - LC 94	99
Splash zone - L 500.....	101
Tanks insulation	103
Double skin	105
Booster pump	107
Dispensers SDN-3	109
Angle loading table 90° - LC 98	111
Baskets	113
Accessory	115

1.1 Voltage codes

Voltage code	Voltage
A	3/N/PE~400/230V 50Hz
B	~250V 16A 50Hz
C	3/N/PE~380/220V 50Hz
D	3/PE~200V 50-60Hz
F	2/PE 220-240V 50Hz
G	3/N/PE~415/240V 50Hz
H	3/PE~230V 50Hz
I	3/PE~220V 60Hz
J	3/PE~380 50Hz
K	3/PE~400V 50Hz
L	3/PE~415V 50Hz
M	3/PE~440V 60Hz
N	3/PE~460V 60Hz
O	3/PE~480V 60Hz
P	1/N/PE~220-240V 50Hz
R	2/PE~220-230V 60Hz
S	3/N/PE~400/230V 50Hz
T	3/PE~230V 60Hz

1.2 Product codes

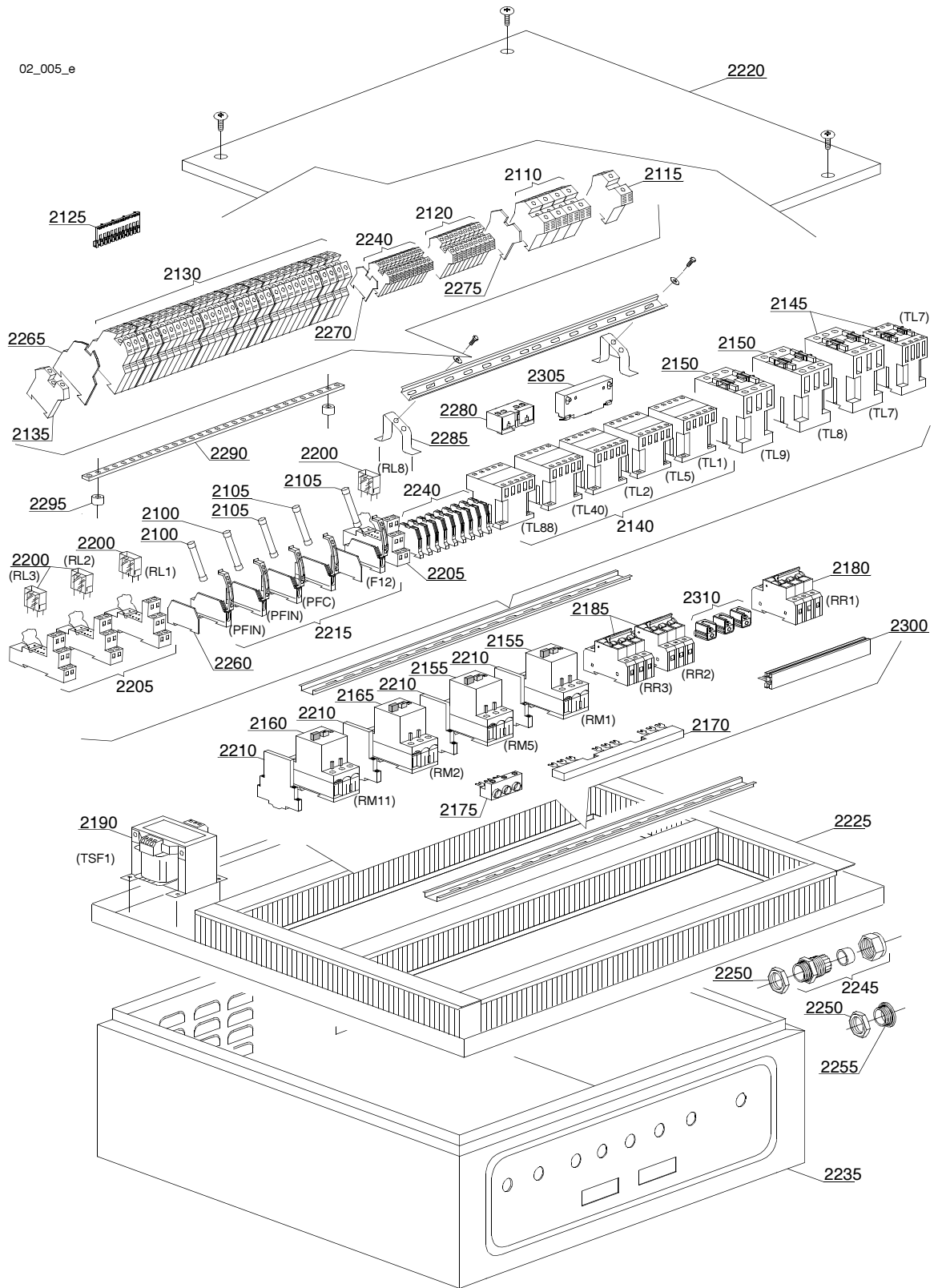
Product code	Full name
Model codes	
Type codes	
24	24
Accessory codes	
hr	HEAT RECOVERY - TR98
sc9	STEAM CONDENSER - LC 91
csa	CONVEYOR SPEED ADJUSTING- LC 101
972	90° MOTORIZED CHAIN CONVEYOR - LC 97/2
973	180° MOTORIZED CHAIN CONVEYOR - LC 97/3
974	DRYER WITH 90° MOTORIZED CHAIN CONVEYOR - LC 97/4
975	DRYER WITH 180° MOTORIZED CHAIN CONVEYOR - LC 97/5
d9	DRYER - LC 90
d92	DRYER - LC 90/2
d94	DRYER - LC 90/4
cw	ADDITIONAL BOILER FOR COLD WATER SUPPLY
dvgw	DVGW VALVE SYSTEM
des	DETERGENT ECONOMIZER SYSTEM
szc9	SPLASH ZONE WITH CILINDER - LC 94
ti	TANKS INSULATION
ds	DOUBLE SKIN
bp	BOOSTER PUMP
sdn3	DISPENSERS SYSTEM SDN-3
98	ANGLE LOADING TABLE - LC 98



01_002_g

Spare parts

ID	P-code	Model	Type	Accessory	Voltage	Description
MODULE:Control Panel						
150	2000430		24			Safety thermostat
155	3002050		24			Emergency button
160	3002055		24			Button red
165	15874		24			Green main switch
170	10707/1		24			Thermostat 0 - 90° (TB2)
175	3009114		24			Assembly plate
180	15812		24			Starter electric component
185	3002054		24			Green contact piece (NO)
190	3002056		24			Red contact piece (NC)
195	15815		24			Support square single
200	15824		24			Green-orange cam
205	3002051		24			2NO contact (green)
210	2000234		24			Lamp holder
215	3002052		24			2NC contact (red)
220	3006121		24			Digital thermostat probe
225	2000284		24			Switch start green
230	2000230		24			Yellow pillow lamp
235	2000231		24			Red pillow lamp
240	2000232		24			Green pillow lamp
245	2000310		24			Selector
250	2000311		24			Selector
255	3006120		24			Digital thermostat
260	15849		24			Switch assembly
265	3002068		24			Lamp

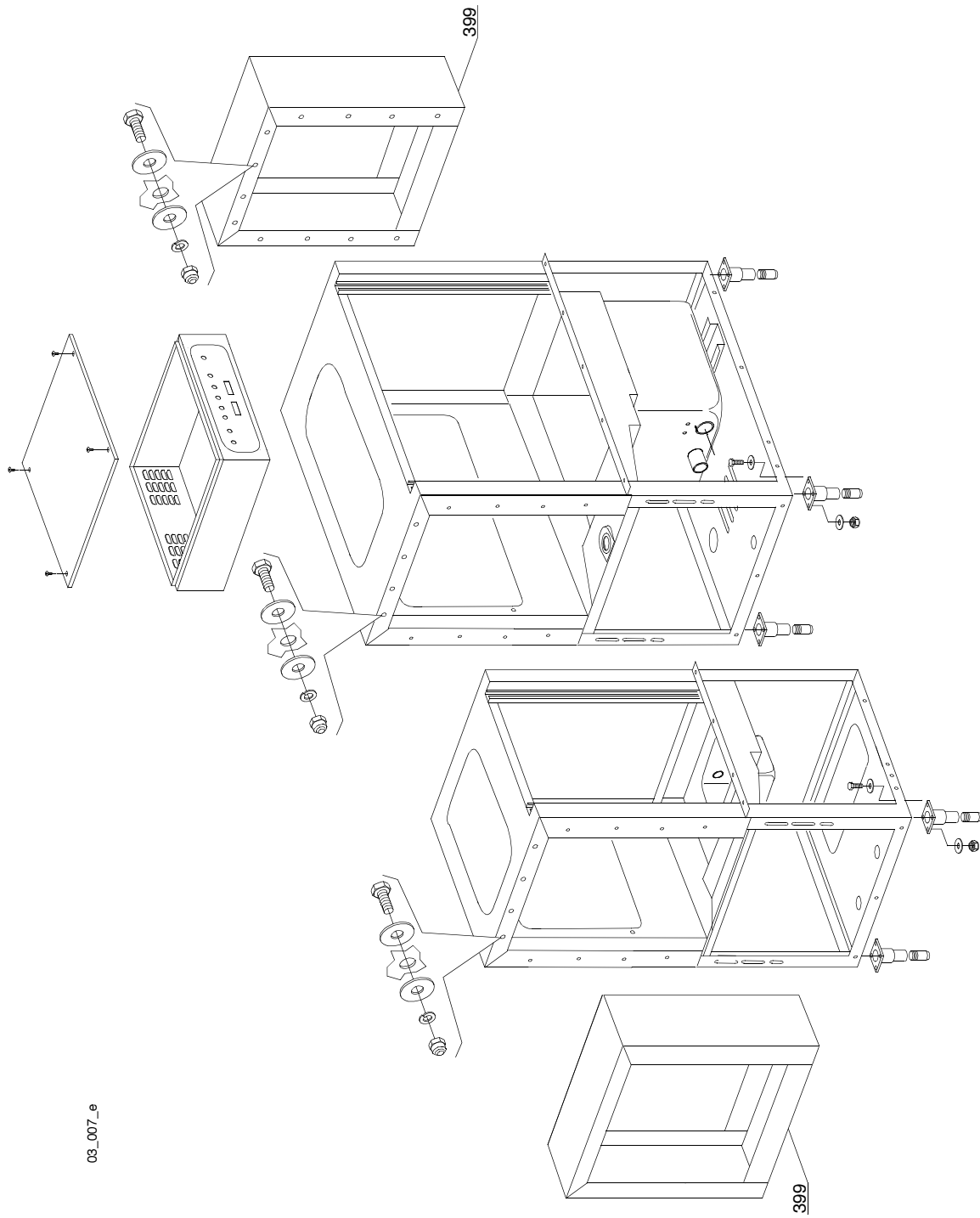


Spare parts

ID	P-code	Model	Type	Accessory	Voltage	Description
MODULE:Electric parts						
2100	15160		24		A	Fuse 5x20 10A
2105	15163		24		A	Fuse 5x20 1A
2110	3006090		24		A	Clamp 35 mm
2115	3006091		24		A	Earth clamp 35 mm
2120	10300403		24		A	Clamp 6 mm
2125	3006066		24		A	Contacteur
2130	3006072		24		A	Double clamp 4 mm
2135	3006093		24		A	DIN guide backstop
2140	2000370		24		A	Contacteur MC9
2145	2000380		24		A	Contacteur BF12 (heating element < 9 kW)
2145	2000385		24		A	Contacteur BF20 (heating element > 9 kW)
2150	2000385		24		A	Contacteur BF20
2155	2000390		24		A	Motorprotector 1 - 1.6A
2160	2000393		24		A	Motorprotector 1,6-2,5A
2165	2000400		24		A	Motorprotector 4-6,3A
2170	3006085		24		A	2 position electrical contactor LMS25
2170	3006086		24		A	3 position electrical contactor LMS25
2170	3006100		24		A	4 position electrical contactor LMS25
2170	3006101		24		A	5 position electrical contactor LMS25
2175	3006087		24		A	Clamp
2180	2000403		24		A	Automatic fuse C20 (heating element < 9kW)
2180	2000404		24		A	Automatic fuse C25 (heating element > 9kW)
2185	2000403		24		A	Automatic fuse C20 (heating element < 9kW)
2185	2000404		24		A	Automatic fuse C25 (heating element > 9kW)
2190	3006061		24		A	Transformer 200VA
2200	3006078		24		A	Relay
2205	3006079		24		A	Base for relay
2210	3006080		24		A	Auxiliary contact LMS25
2215	3006147		24		A	Fuse holder
2220	3009197		24		A	Control panel cover
2220	3009652		24		A	Control panel cover
2225	3009146		24		A	Electric parts pannel
2230	3009145		24		A	Comand parts pannel
2235	3019030		24		A	Control panel case
2235	3009654		24		A	Control panel case
2240	3006092		24		A	Clamp 4mm
2245	80419		24		A	Cable-fastener PG29
2250	80420		24		A	Lock nut
2255	80421		24		A	Plug PG29
2260	3006144		24		A	Fuse holder covering plate
2265	3006071		24		A	Double clamp covering plate 4mm
2270	3006083		24		A	Clamp covering plate 4mm
2275	3006084		24		A	Clamp covering plate 35mm
2280	3006068		24		A	MC9 auxiliary contact 1NO-1NC

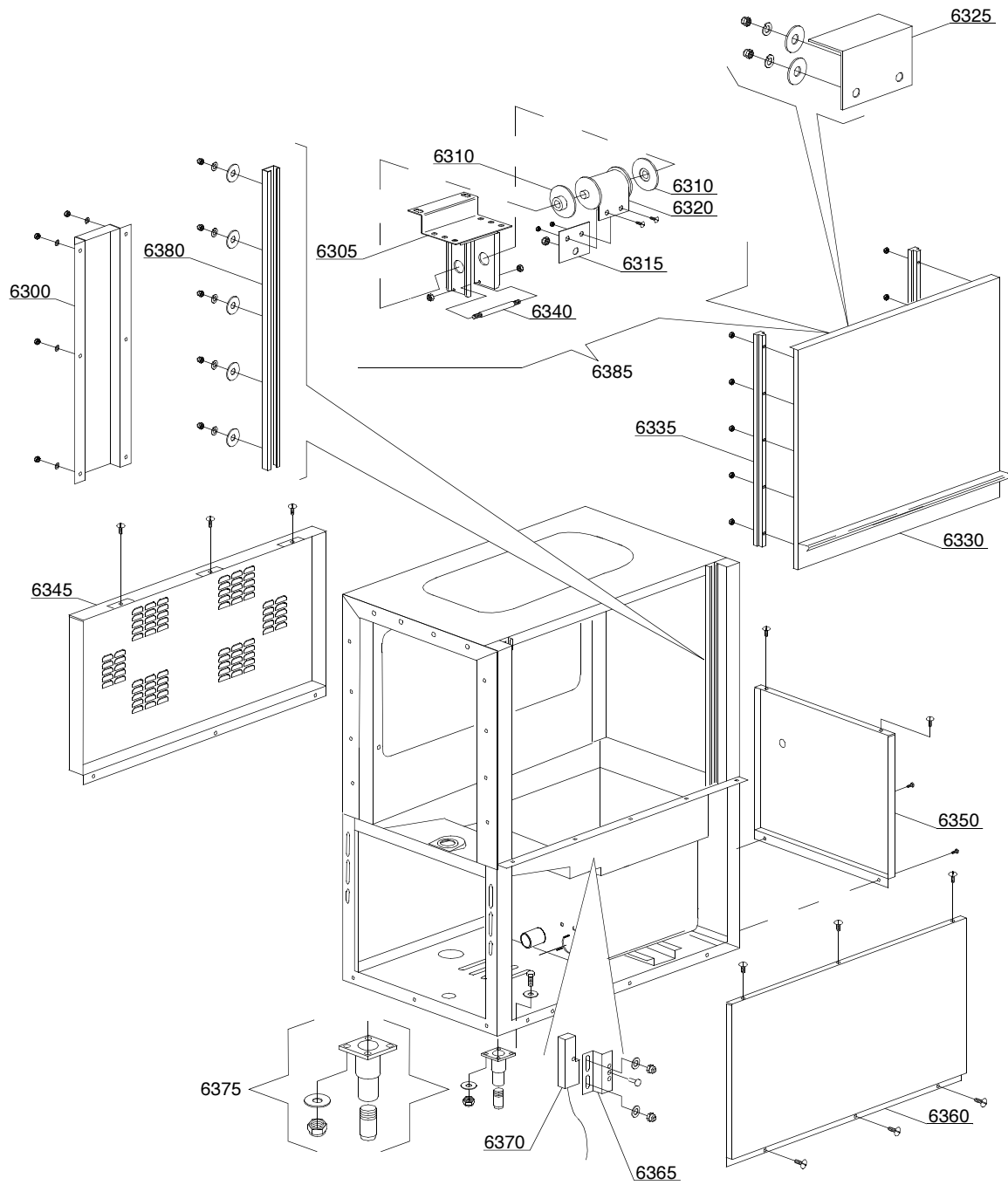
Spare parts

ID	P-code	Model	Type	Accessory	Voltage	Description
2280	3002057		24		A	MC9 auxiliary contact 2NO
2280	3002052		24		A	MC9 auxiliary contact 2NC
2285	3006067		24		A	DIN guide support
2290	3006161		24		A	Electrical bonding bar
2295	3006162		24		A	Insulators
2300	3006163		24		A	Connection bar
2305	3006153		24		A	Mechanical lock safety
2310	3006160		24		A	Feed clamp 35mm



Spare parts

ID	P-code	Model	Type	Accessory	Voltage	Description
MODULE:Machine structure in modules						
5100	3019021		24			Splash zone

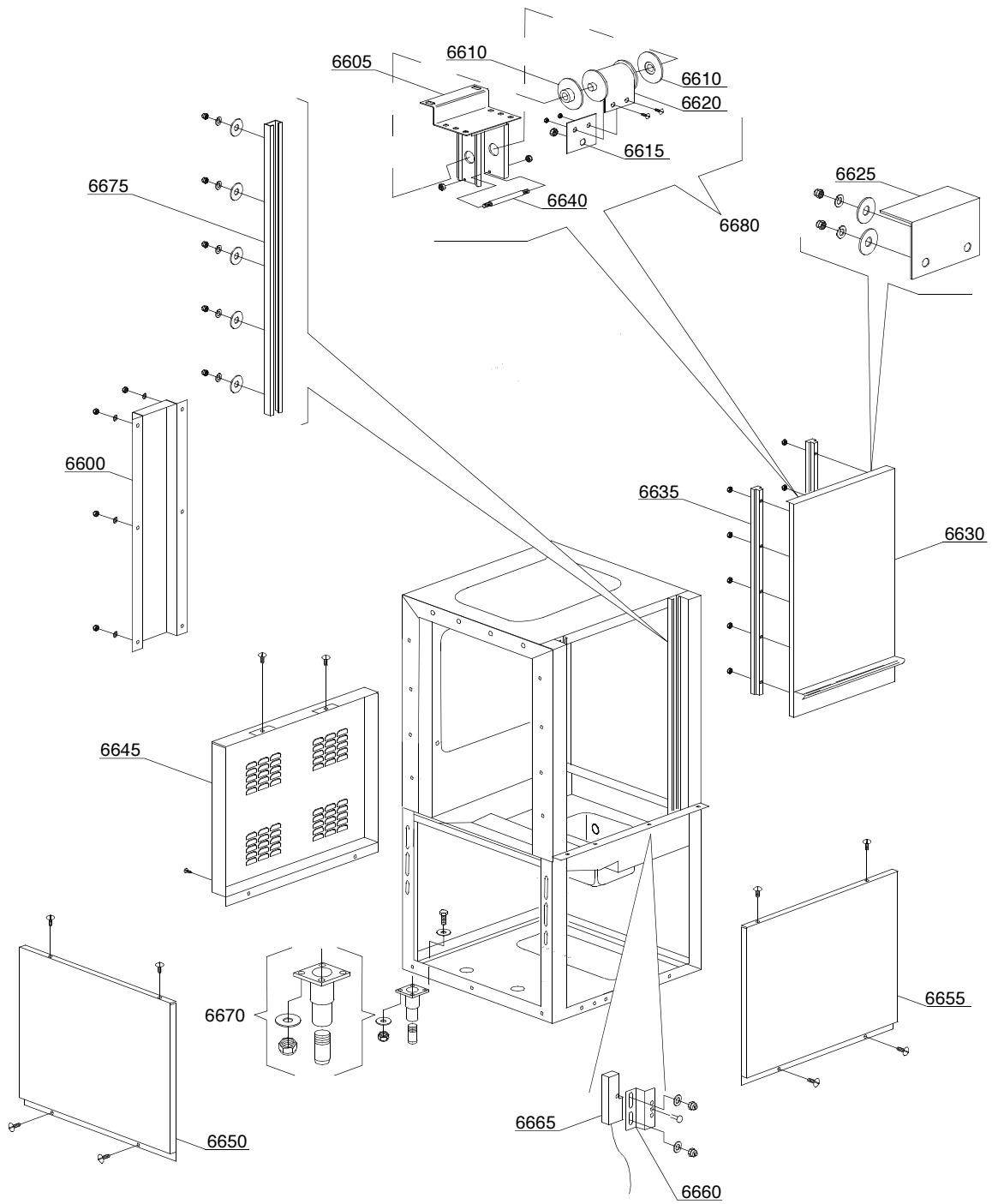


03_004_e

Spare parts

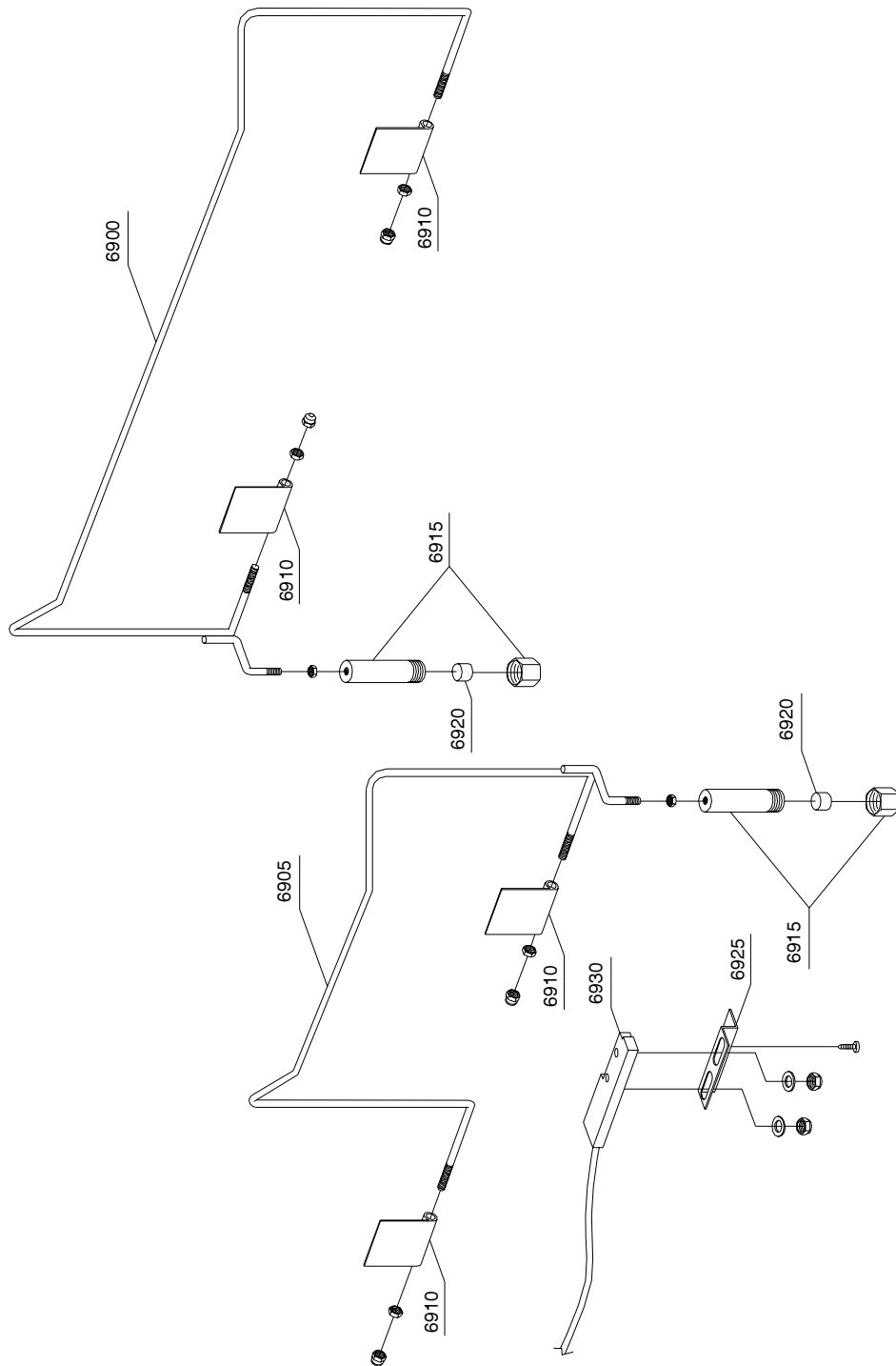
ID	P-code	Model	Type	Accessory	Voltage	Description
MODULE:Washing module 900						
6300	3009336		24			Rear cover
6305	3009904		24			Spring support
6310	3004012		24			Spring holder
6315	3009555		24			Spring clamping plate
6320	3004013		24			Door spring BBSR 22
6325	3009269		24			Door stop
6330	3009403		24			Door assembly
6335	3004026		24			Door guide
6340	3003959		24			Pin
6345	3009170		24			Rear panel
6350	3009189		24			Cover left
6350	3009188		24			Cover right
6360	3009147		24			Front cover
6365	3009112		24			Microswitch support
6370	3003112		24			Door microswitch
6375	3004060		24			Foot
6380	3009033		24			Slideways
6385	3009906		24			Spring assembly BBSR 22

03_006_e



Spare parts

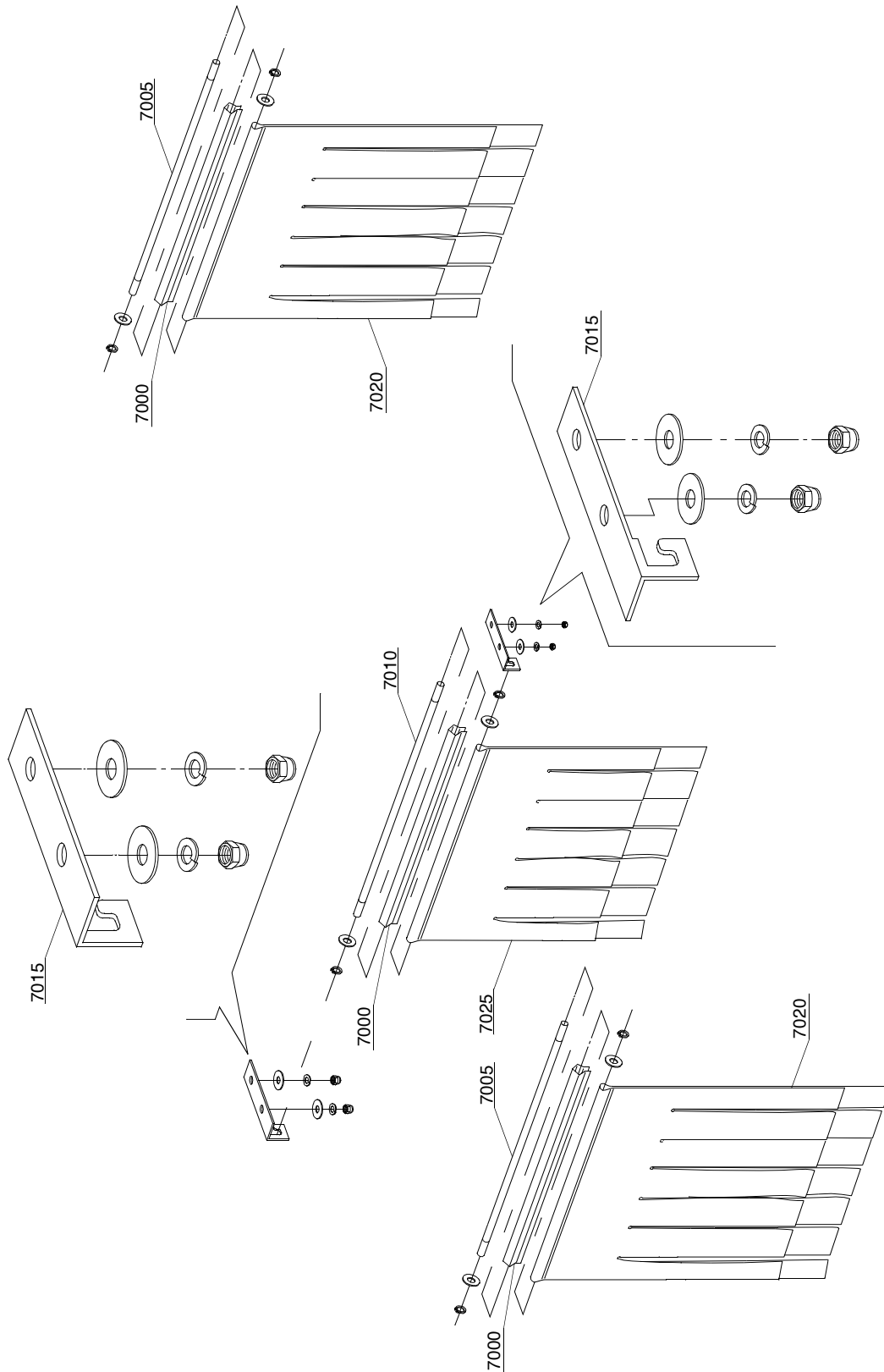
ID	P-code	Model	Type	Accessory	Voltage	Description
MODULE:Rising module 600						
6600	3009336		24			Rear cover
6605	3009909		24			Spring support
6610	3004012		24			Spring holder
6615	3009555		24			Spring clamping plate
6620	3004011		24			Door spring BBSR 23
6625	3009269		24			Door stop
6630	3009402		24			Door assembly
6635	3004026		24			Door guide
6640	3003958		24			Pin
6645	3009174		24			Rear panel
6650	3009188		24			Cover left
6650	3009189		24			Cover right
6655	3009178		24			Front cover right
6655	3009179		24			Front cover left
6660	3009112		24			Microswitch support
6665	3003112		24			Door microswitch
6670	3004060		24			Foot
6675	3009033		24			Slideways
6680	3009905		24			Spring assembly BBSR 23



03_102_e

Spare parts

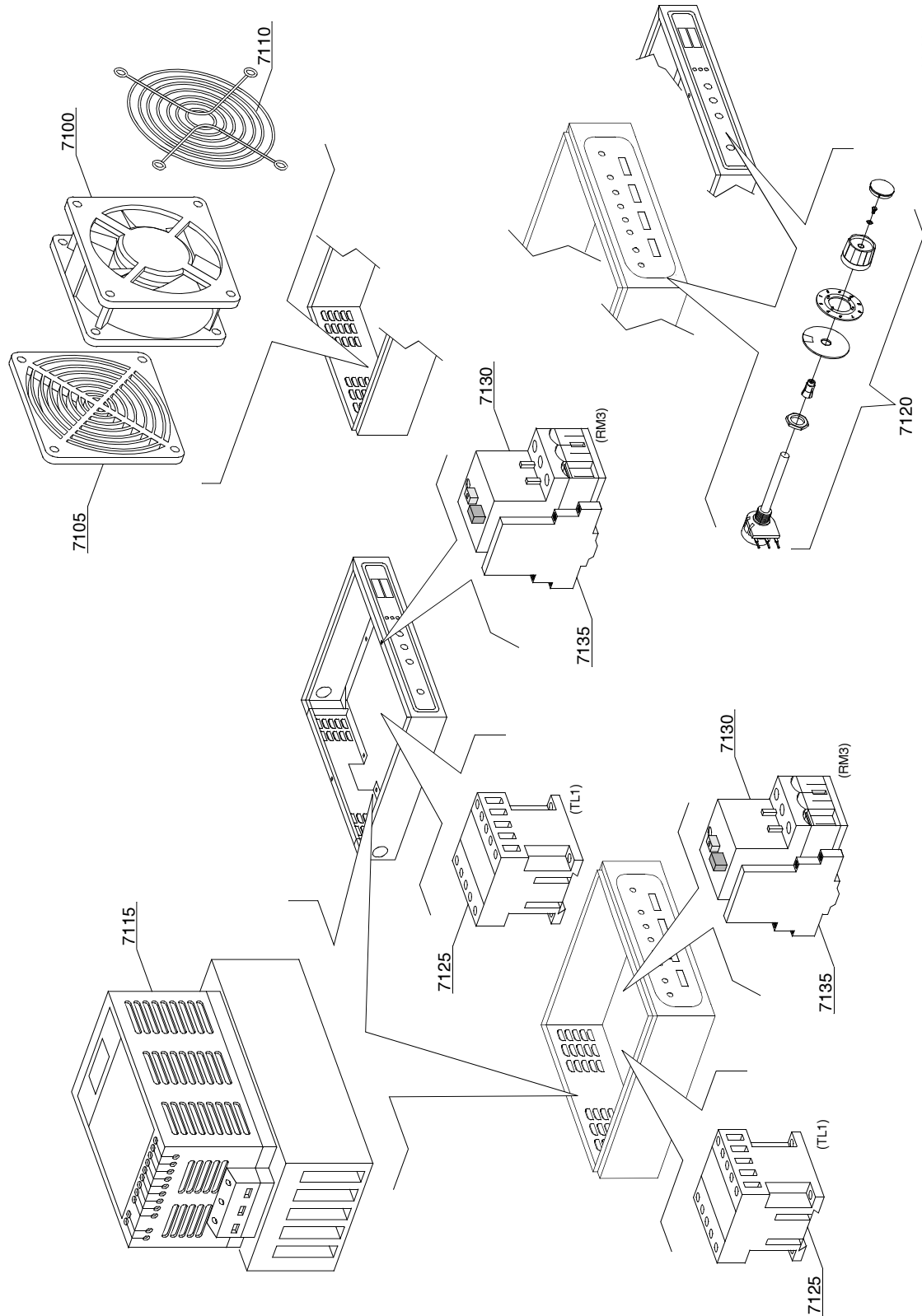
ID	P-code	Model	Type	Accessory	Voltage	Description
MODULE:Economizer components						
6900	3003074		24			Rack switch arm right
6900	3003075		24			Rack switch arm left
6905	3003072		24			Rack switch arm right
6905	3003073		24			Rack switch arm left
6910	3003061		24			Economizer support
6915	3003058		24			Magnet holder
6920	3003113		24			Magnet
6925	3009112		24			Door microswitch support
6930	3003112		24			Door microswitch



03_201_9

Spare parts

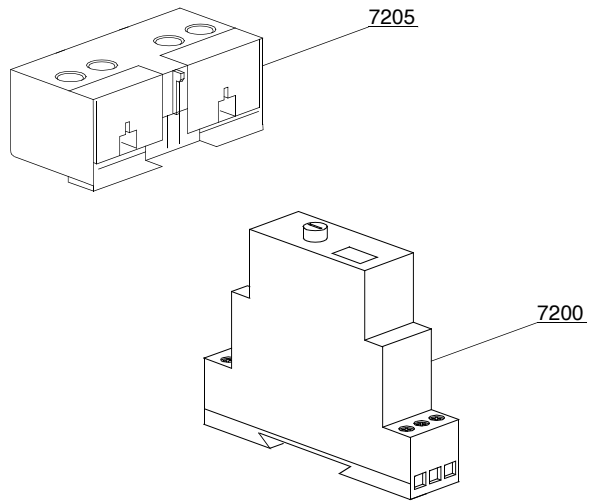
ID	P-code	Model	Type	Accessory	Voltage	Description
MODULE: Curtains group components						
7000	3009109		24			Curtain moulding
7005	3004053		24			Curtain rod short
7010	3004052		24			Curtain rod long
7015	3009110		24			Curtain support
7020	3004050		24			Curtain long
7025	3004051		24			Curtain short



06_001_e

Spare parts

ID	P-code	Model	Type	Accessory	Voltage	Description
MODULE:Inverter						
7100	3000118		24	csa	A	Impeller fan
7105	3000118/A		24	csa	A	Filter
7110	3000118/B		24	csa	A	Grid
7115	3000117		24	csa	A	Inverter 0,37kW
7120	3000119		24	csa	A	Potentiometer with knob
7125	2000370		24	csa	A	Contactora MC9
7130	2000400		24	csa	A	Motorprotector 4-6,3A
7135	3006080		24	csa	A	Auxiliary contact LMS25

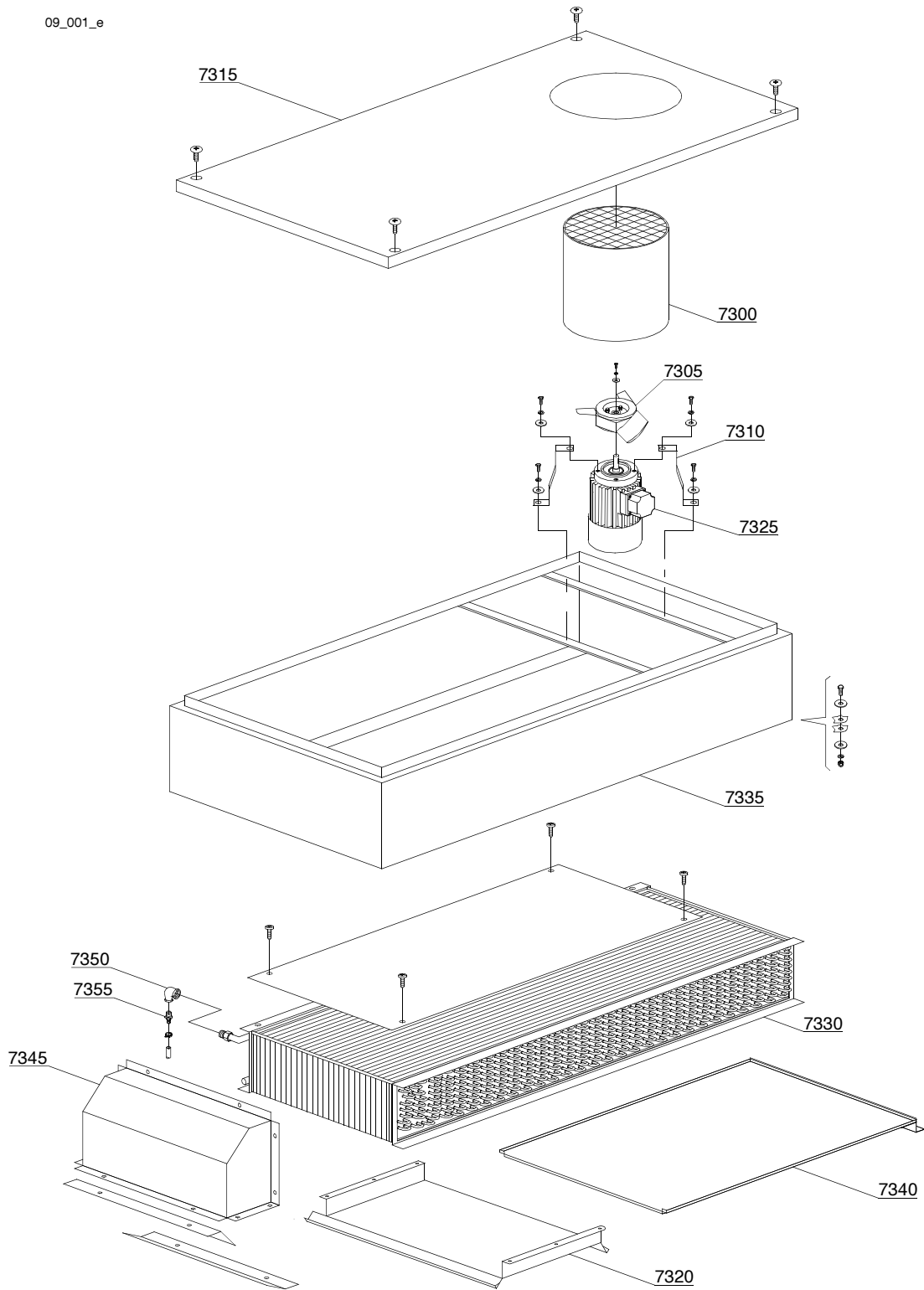


07_001_e

Spare parts

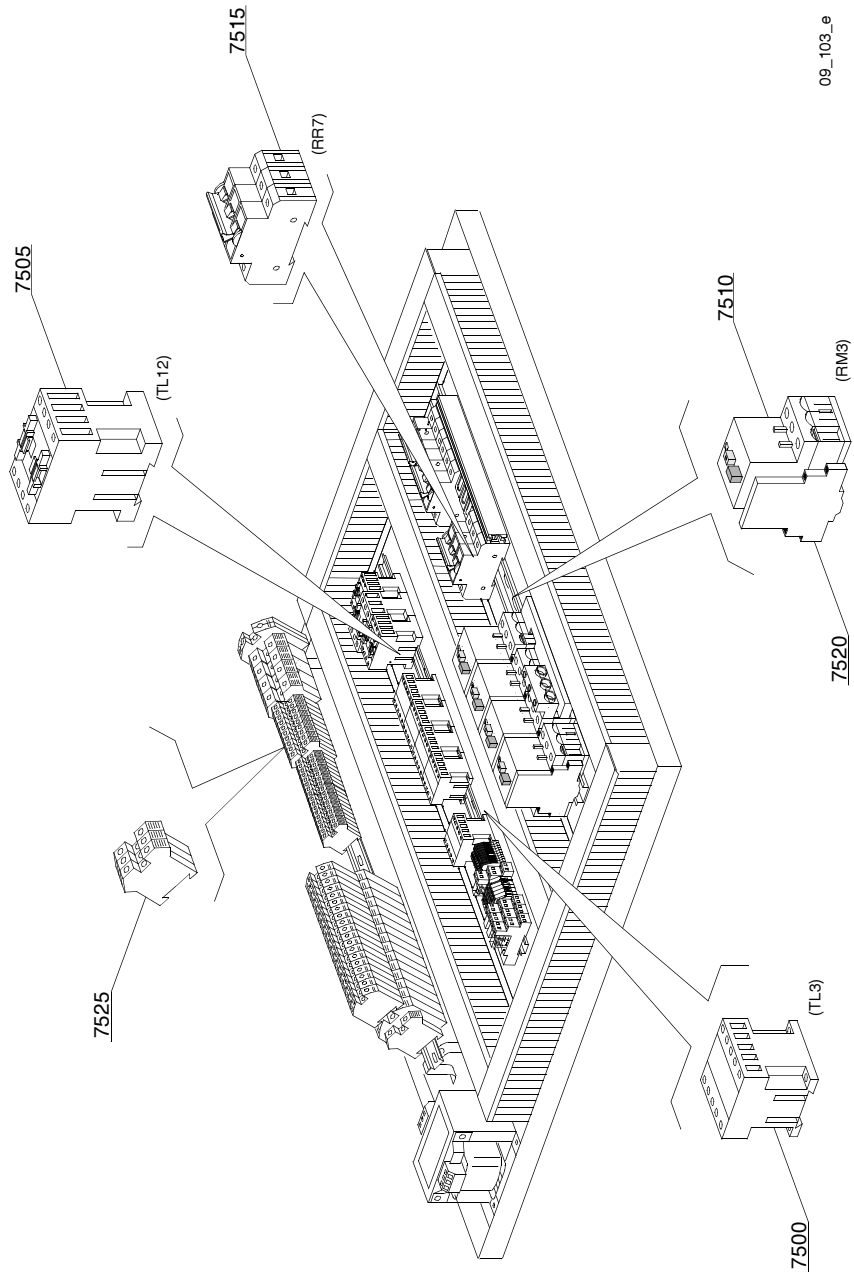
ID	P-code	Model	Type	Accessory	Voltage	Description
MODULE:Time relay						
7200	3006225		24	sc9,hr,d9,d92,d94,974,975	A	Time relay 24V
7205	3006068		24	sc9,hr,d9,d92,d94,974,975	A	MC9 auxiliary contact 1NO-1NC
7205	3002057		24	sc9,hr,d9,d92,d94,974,975	A	MC9 auxiliary contact 2NO
7205	3002052		24	sc9,hr,d9,d92,d94,974,975	A	MC9 auxiliary contact 2NC

09_001_e



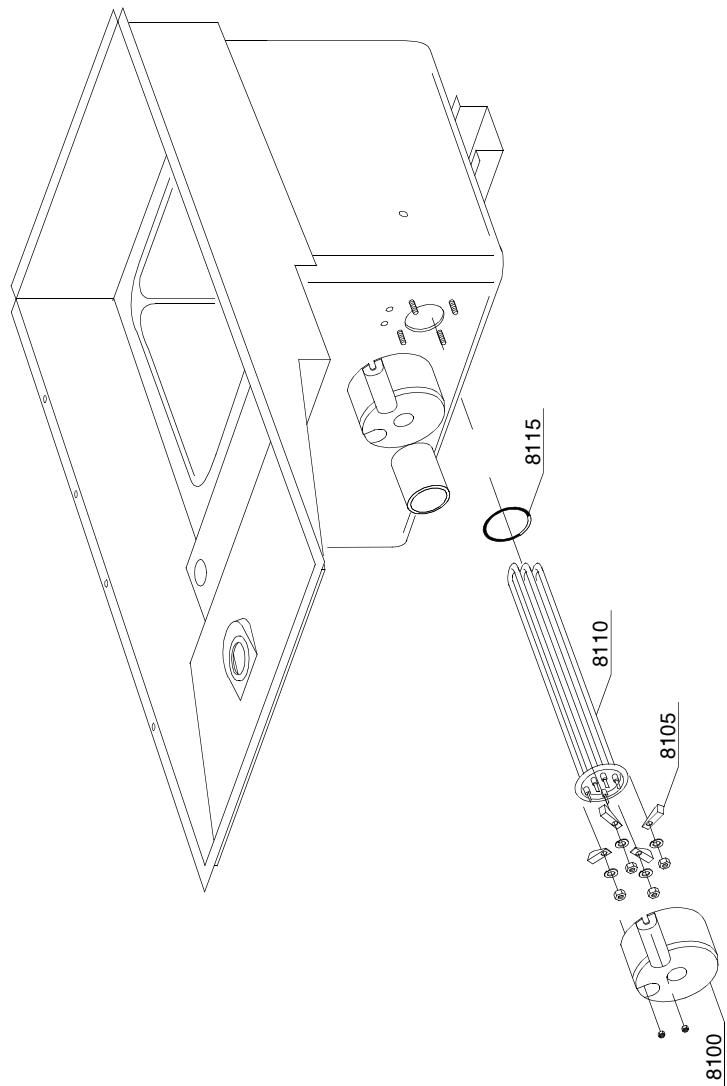
Spare parts

ID	P-code	Model	Type	Accessory	Voltage	Description
MODULE:Heat recovery TR98 - part 1						
7300	3009499		24	hr		Chimney
7305	3000125		24	hr		Impeller fan
7310	3009106		24	hr		Motor holder
7315	3009318		24	hr		Cover TR98
7320	3009090		24	hr		Suction group
7325	3000120		24	hr	A	Motor 0.18KW
7330	3000151		24	hr		Heating recovery battery
7335	3009498		24	hr		Complete body
7340	3009501		24	hr		Tray
7345	3009500		24	hr		Cope
7350	3002138		24	hr		Elbow
7355	12023		24	hr		Hose holder



Spare parts

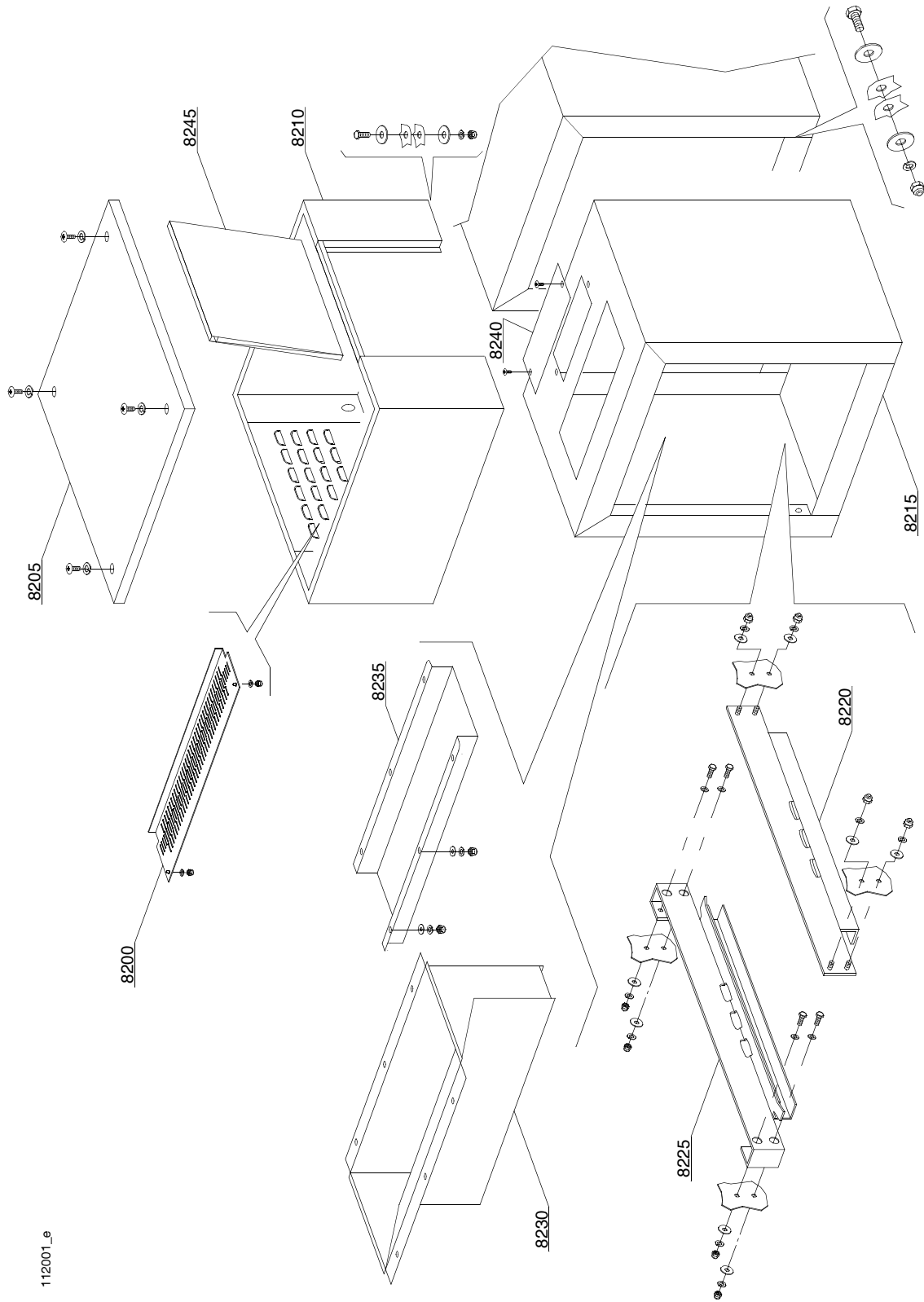
ID	P-code	Model	Type	Accessory	Voltage	Description
MODULE:Heat recovery TR98 - part 2						
7500	2000370		24	hr	A	Contacteur MC9
7505	2000380		24	hr	A	Contacteur BF12 (heating element < 9 kW)
7505	2000385		24	hr	A	Contacteur BF20 (heating element > 9 kW)
7510	2000390		24	hr	A	Motorprotector 1 - 1.6A
7515	2000403		24	hr	A	Automatic fuse C20 (heating element < 9 kW)
7515	2000404		24	hr	A	Automatic fuse C25 (heating element > 9 kW)
7520	3006080		24	hr	A	Auxiliary contact LMS25
7525	10300403		24	hr	A	Clamp 6 mm



09_201_e

Spare parts

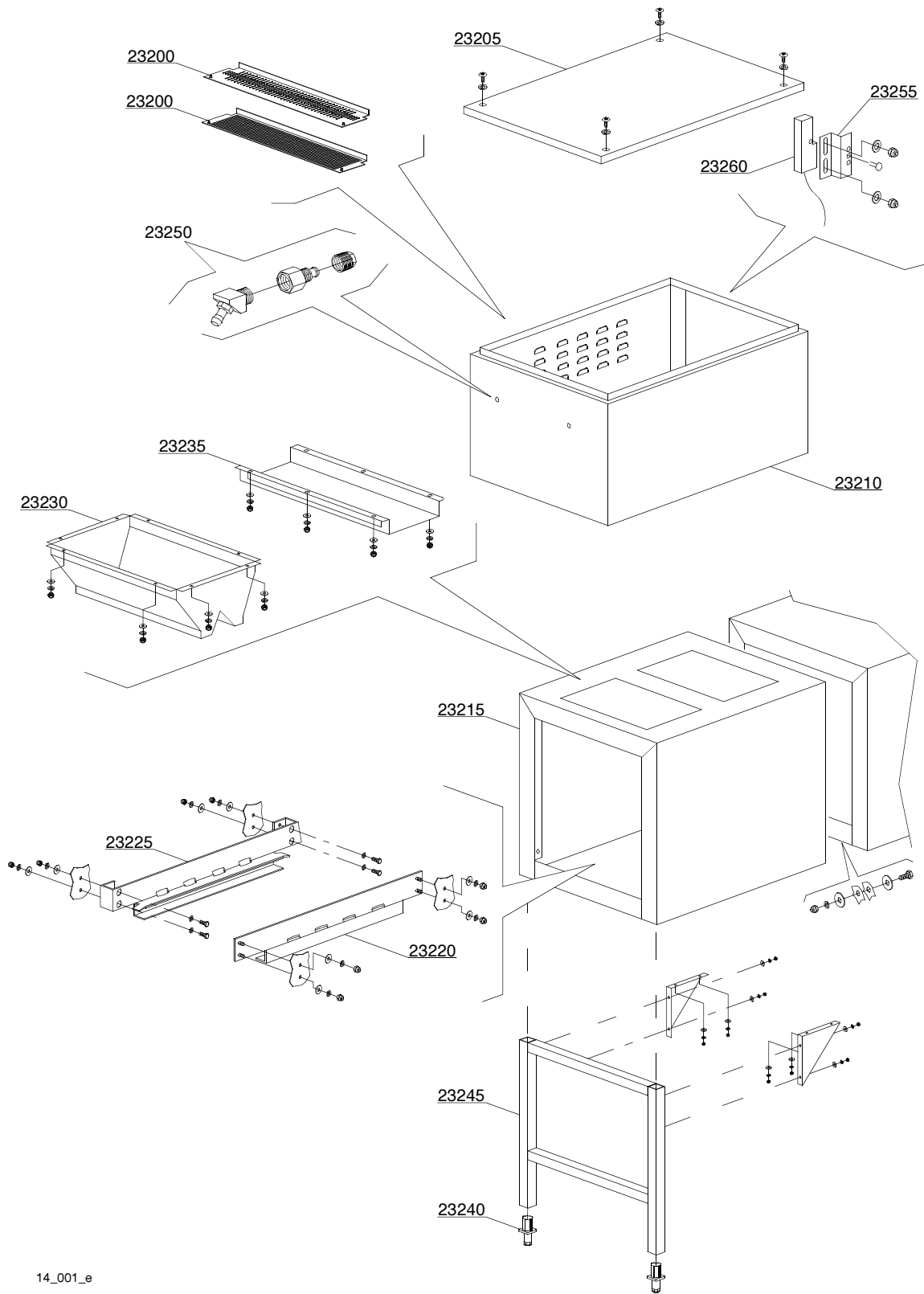
ID	P-code	Model	Type	Accessory	Voltage	Description
MODULE:Heat recovery TR98 - part 3						
8100	75311		24	hr		Heating element cover
8105	16045		24	hr		Heating element support Ø6.3
8110	30001010		24	hr		Heating element 6kW
8110	30001011		24	hr		Heating element 9kW
8110	30001011/A		24	hr		Heating element 12kW
8110	30001011/B		24	hr		Heating element 14kW
8115	13015		24	hr		O-ring 160 (6225)



112001_e

Spare parts

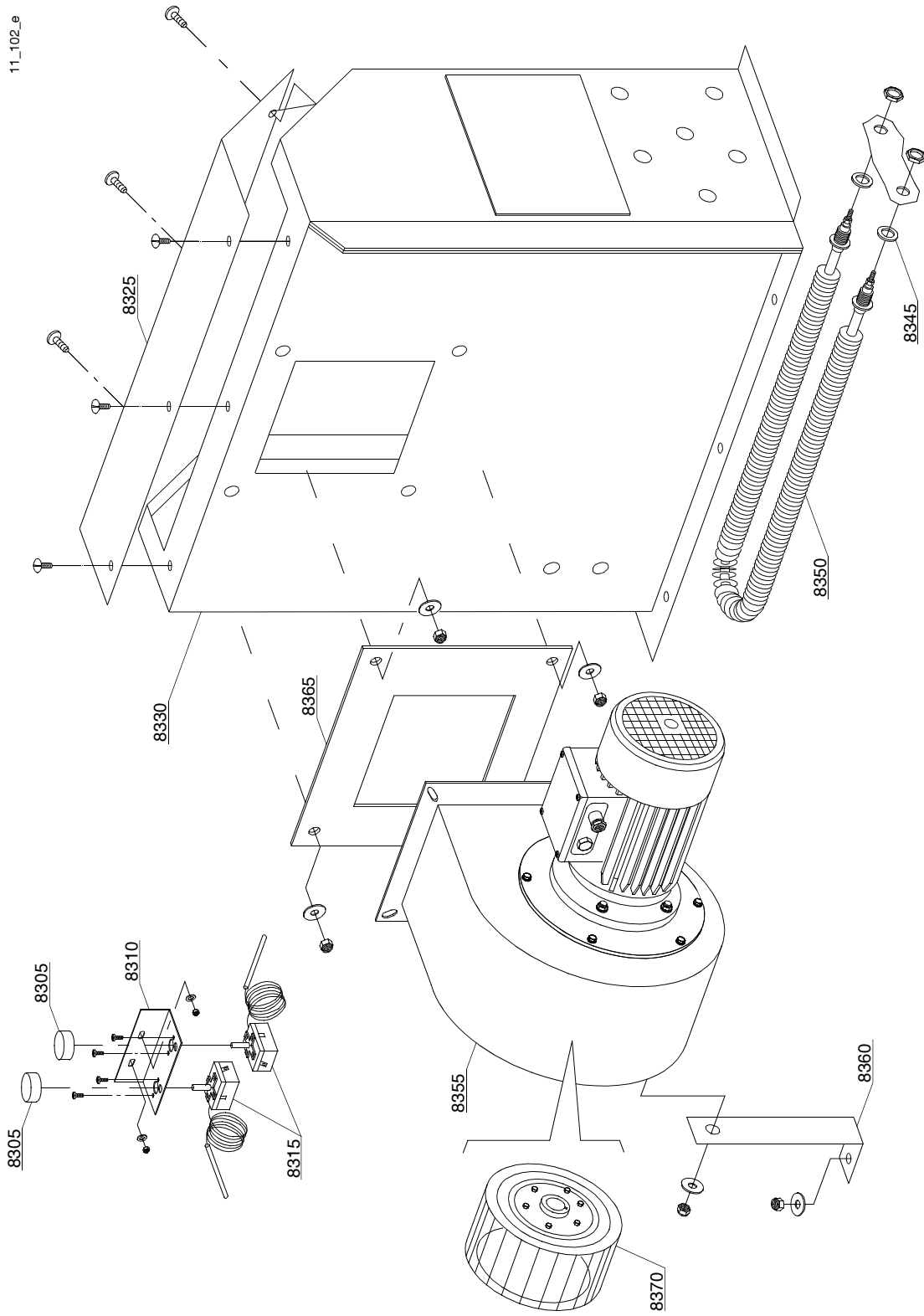
ID	P-code	Model	Type	Accessory	Voltage	Description
MODULE:Dryer LC 90 - LC 90/2 (6 - 12kW) - part 1						
8200	3009362/A		24	d9,d92		Protection
8205	3009267		24	d9,d92		Cover panel
8210	3009484		24	d9,d92		Complete body
8215	3009485		24	d9,d92		Dryer module
8220	3009047		24	d9,d92		Front slideways
8225	3009057		24	d9,d92		Back slideways
8230	3009492		24	d9,d92		Flow conveyor
8235	3009434		24	d9		Splash guard
8240	3009100		24	d92		Air covering
8245	3009268		24	d9,d92		Dryer carter lockup



14_001_e

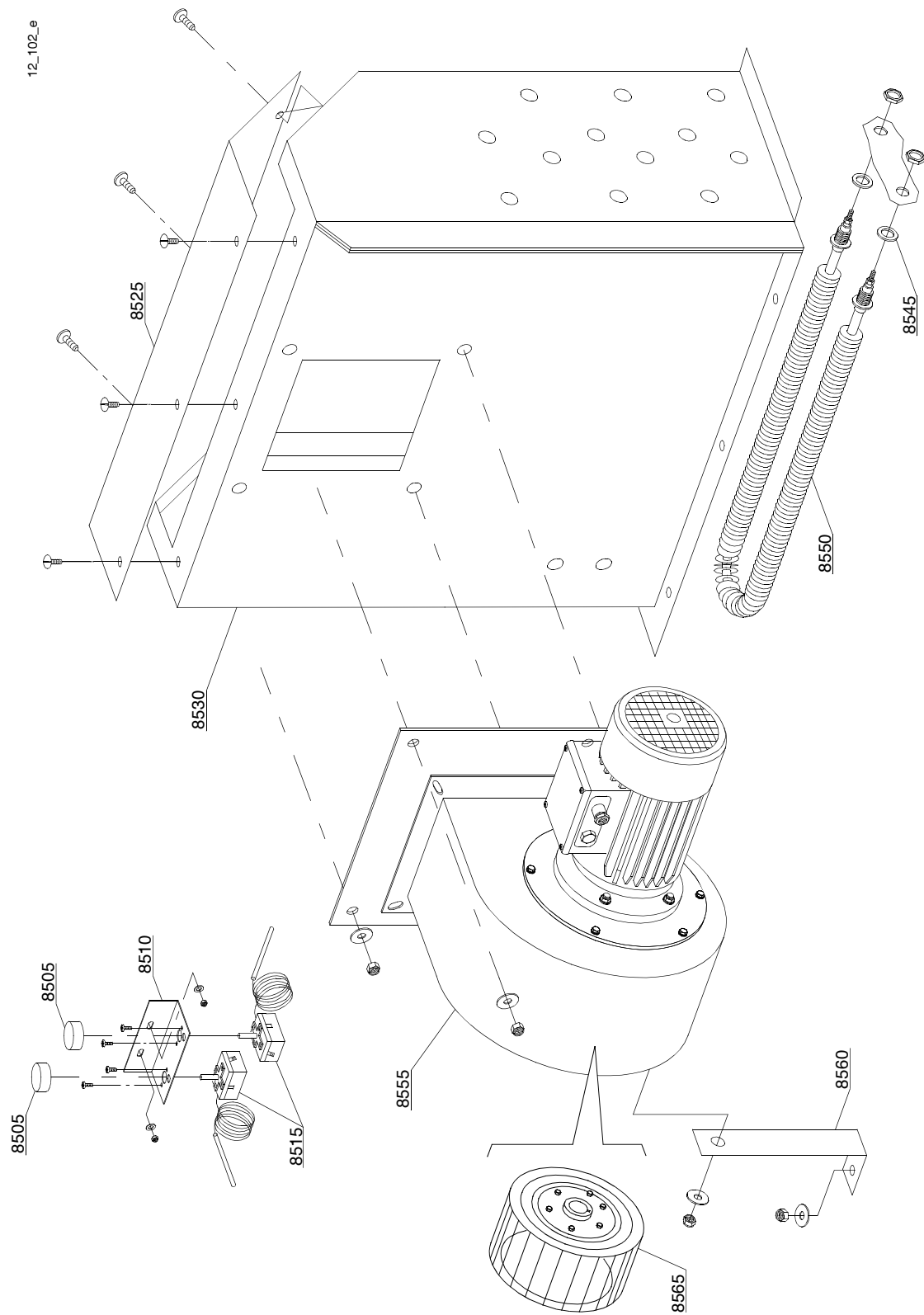
Spare parts

ID	P-code	Model	Type	Accessory	Voltage	Description
MODULE:Dryer LC 90/4 (18kW) - part 1						
23200	3009362/A		24	d94		Protection
23205	3009330		24	d94		Cover panel
23210	3009494		24	d94		Complete body
23215	3009495		24	d94		Dryer module
23220	3009333		24	d94		Front slideways
23225	3009332		24	d94		Back slideways
23230	3009441		24	d94		Splash guard
23235	3009440		24	d94		Splash guard
23240	3000252		24	d94		Adjustable food
23245	3003064		24	d94		Legs with support
23250	3004166		24	d94		Grease nipple
23255	3009112		24	d94		Microswitch support
23260	3003112		24	d94		Door microswitch
N.B.: NO MORE MADE. AVAILABLE ONLY SPARE PARTS.						



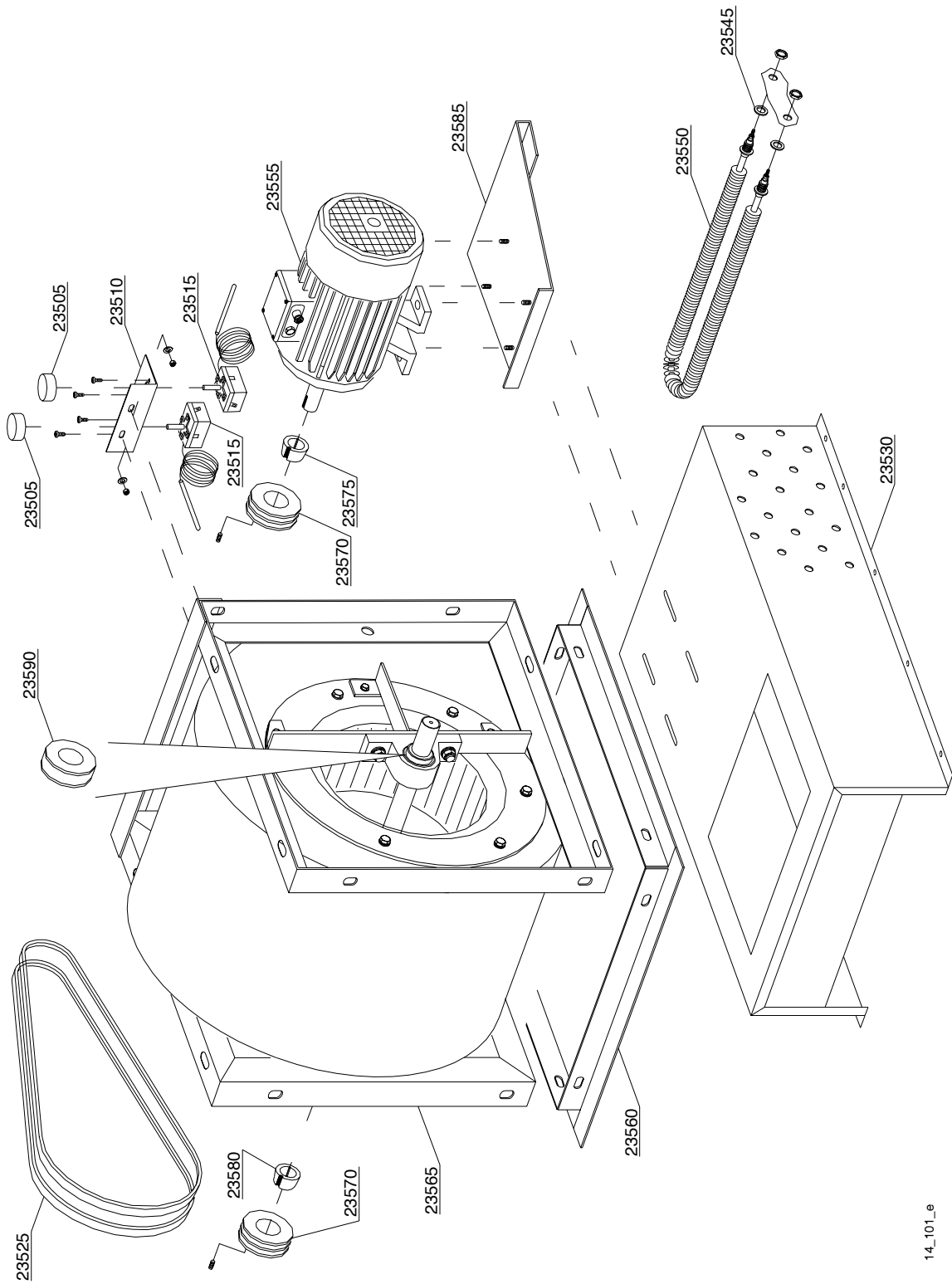
Spare parts

ID	P-code	Model	Type	Accessory	Voltage	Description
MODULE:Dryer LC 90 (6kW) - part 2						
8305	15105/A		24	d9		Thermostat knob
8310	3009104		24	d9		Thermostat support
8315	10707/2		24	d9		Thermostat with shaft 0 - 90°
8325	3009085		24	d9		Cover drying conveyor
8330	3009486		24	d9		Right drying conveyor
8330	3009487		24	d9		Left drying conveyor
8345	10200171		24	d9		Gasket FASIT 25x17x2
8350	2000359		24	d9		Drying heating element with nut
8355	3000300		24	d9	A	Motorfan 0,55 kW
8360	3009214		24	d9		Motorfan support
8365	3009275		24	d9		Flange
8370	3000308		24	d9		Pump rotor



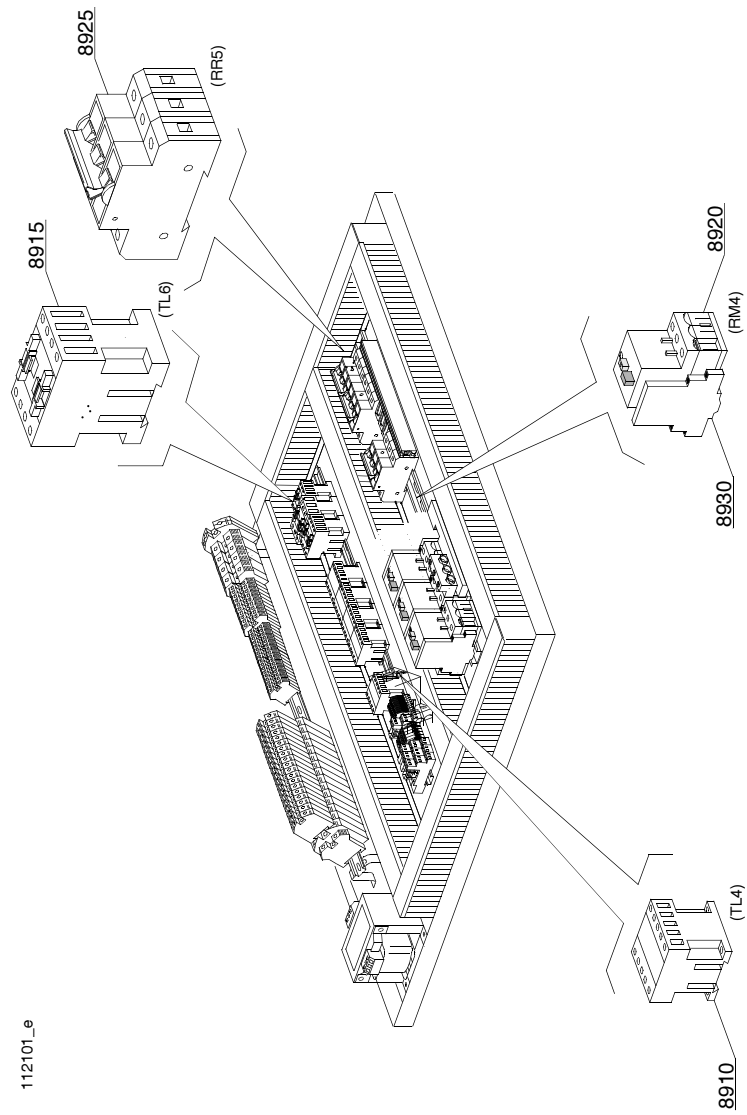
Spare parts

ID	P-code	Model	Type	Accessory	Voltage	Description
MODULE:Dryer LC 90/2 (12kW) - part 2						
8505	15105/A		24	d92,974,975		Thermostat knob
8510	3009104		24	d92,974,975		Themostat support
8515	10707/2		24	d92,974,975		Thermostat with shaft 0 - 90°
8525	3009085		24	d92,974,975		Cover drying conveyer
8530	3009488		24	d92,974,975		Right drying conveyer
8530	3009489		24	d92,974,975		Left drying conveyer
8545	10200171		24	d92,974,975		Gasket FASIT 25x17x2
8550	2000359		24	d92,974,975		Drying heating element with nut
8555	3003118		24	d92,974,975		Motorfan 0.75 kW
8555	3000301		24	d92,974,975		Motorfan 1,5 kW
8560	3009214		24	d92,974,975		Motorfan support
8565	3003119		24	d92,974,975		Pump rotor

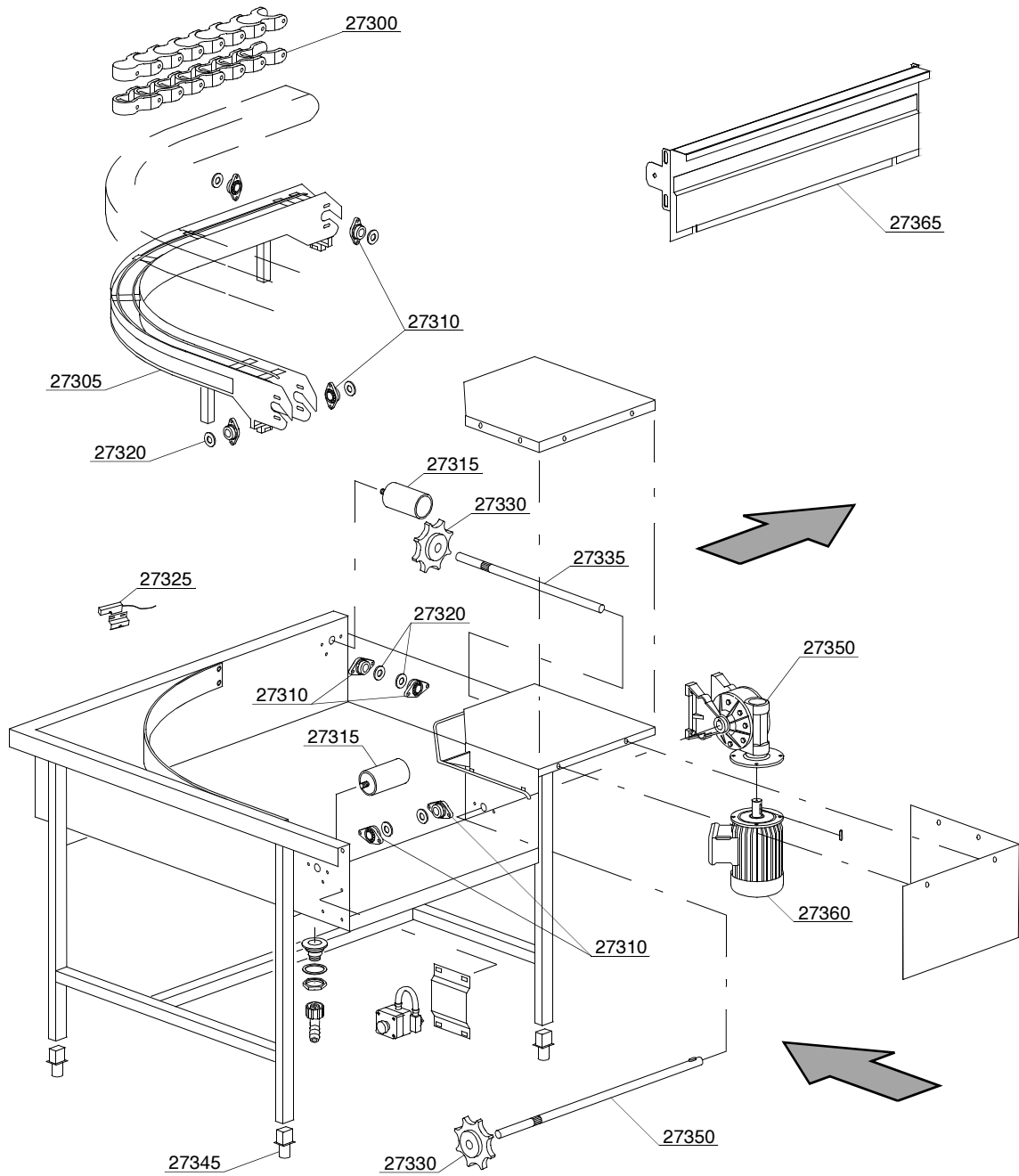


14_101_e

ID	P-code	Model	Type	Accessory	Voltage	Description
MODULE:Dryer LC 90/4 (18kW) - part 2						
23505	15105/A		24	d94		Thermostat knob
23510	3009104		24	d94		Themostat support
23515	10707/2		24	d94		Thermostat with shaft 0 - 90°
23525	3000303		24	d94		Driving belt
23530	3009496		24	d94		Right heating element support
23530	3009497		24	d94		Left heating element support
23545	10200171		24	d94		Gasket FASIT 25x17x2
23550	2000359		24	d94		Drying heating element with nut
23555	3000114		24	d94	A	Motor 1,5 kW
23560	3009426		24	d94		Fan support
23565	3000302		24	d94		Fan
23570	3000304		24	d94		Belt pulley
23575	3000305		24	d94		Bush Ø 24mm
23580	3000306		24	d94		Bush Ø 25mm
23585	3009425		24	d94		Motor support
23590	---		24	d94		Bearing ISO 5757
N.B.: NO MORE MADE. AVAILABLE ONLY SPARE PARTS.						



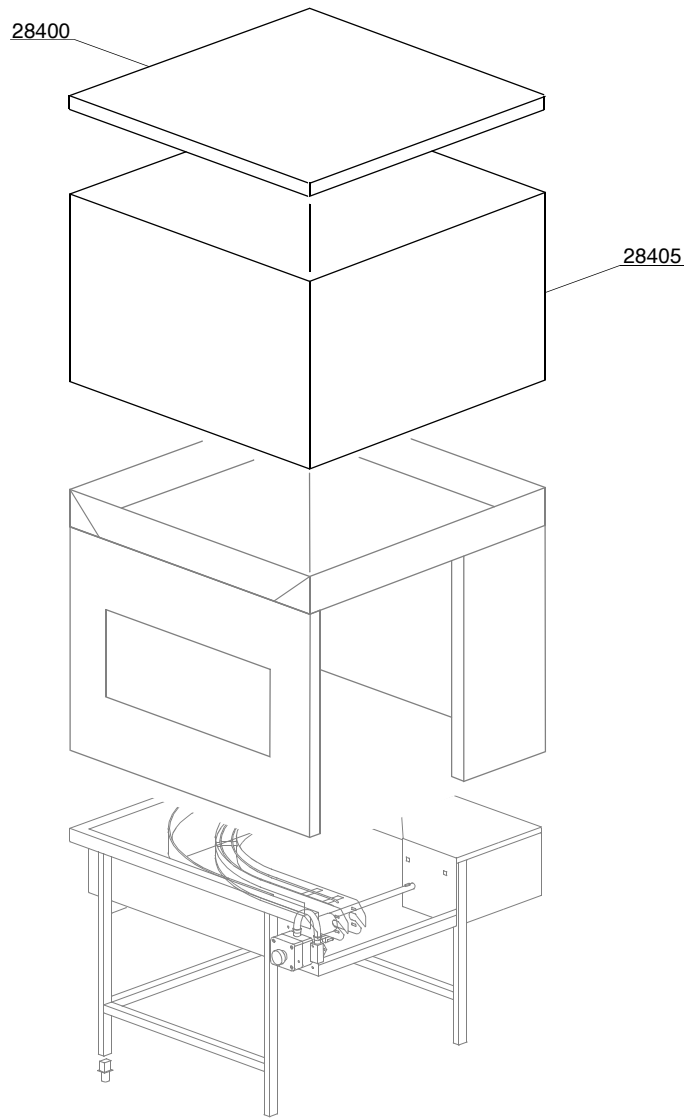
ID	P-code	Model	Type	Accessory	Voltage	Description
MODULE:Dryer LC 90 - LC 90/2 - LC 90/4 (6 - 12 - 18kW) - electric components						
8910	2000370		24	d9,d92,974,975,d94	A	Contacteur MC9
8915	2000380		24	d9	A	Contacteur BF12 (LC90 - 6kW)
8915	2000385		24	d92,974,975	A	Contacteur BF20 (LC90/2 - 12kW)
8915	10300064		24	d94	A	Contacteur BF32 (LC90/4 - 18kW)
8920	2000394		24	d9,d92	A	Motorprotector 2,5-4A (Motorfan 0,75 kW)
8920	2000400		24	d92,974,975	A	Motorprotector 4-6,3A (Motorfan 1,5 kW)
8920	2000400		24	d94	A	Motorprotector 4-6,3A (Motor 1,5 kW)
8925	2000403		24	d9	A	Automatic fuse C16 (LC90 - 6kW)
8925	2000404		24	d92,974,975	A	Automatic fuse C25 (LC90/2 - 12kW)
8925	2000409		24	d94	A	Automatic fuse C40 (LC90/4 - 18kW)
8930	3006080		24	d9,d92,974,975,d94	A	Auxiliary contact LMS25



15_001_e

Spare parts

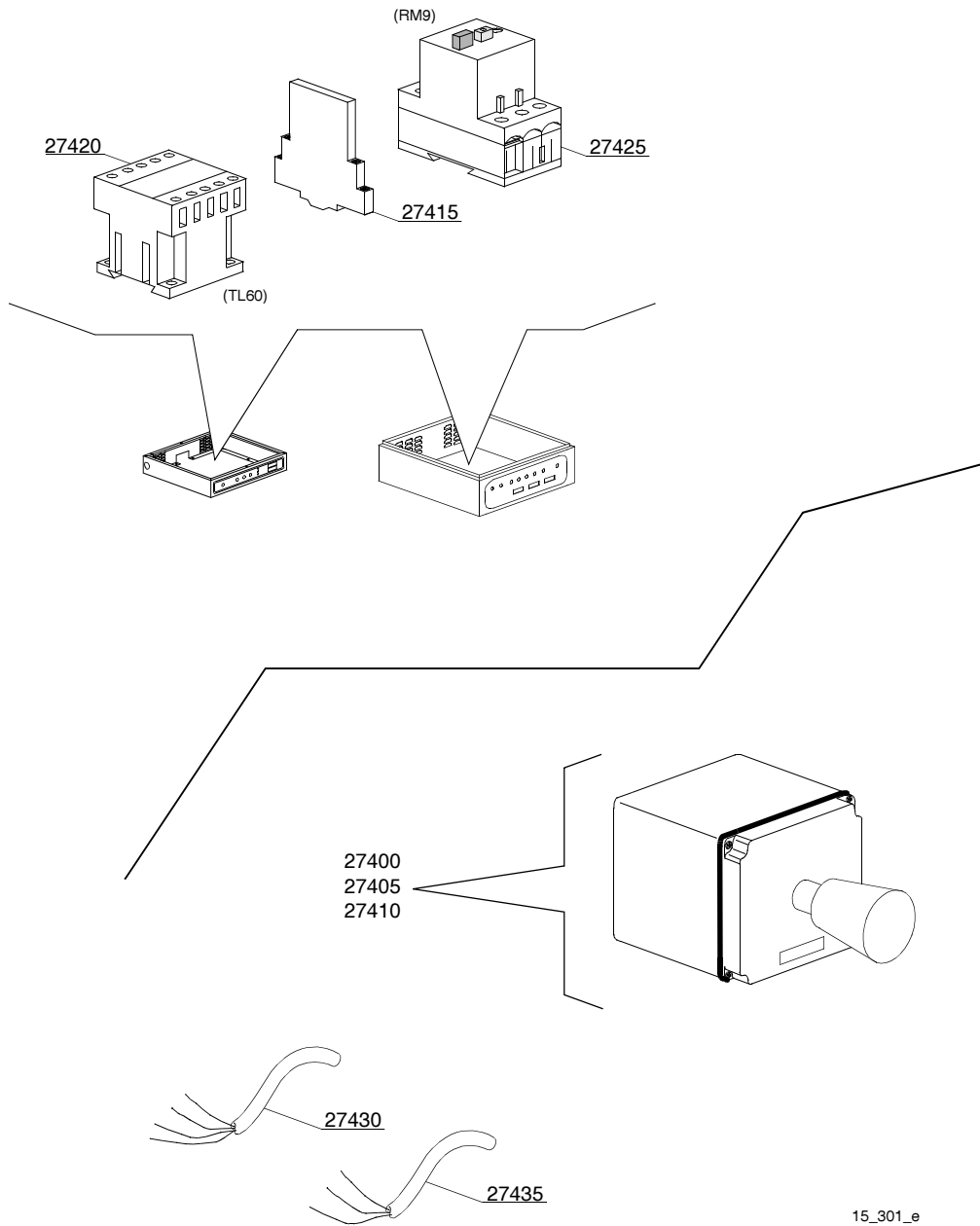
ID	P-code	Model	Type	Accessory	Voltage	Description
MODULE:Motorized curve 90° - LC 97/2						
27300	3000259		24	972,974		Chain for roller
27305	3003057		24	972,974		Kit guide for chain
27310	3000260		24	972,974		Flange for chain
27315	3000262		24	972,974		Ø50x80 embossment roller
27320	3003048		24	972,974		Spacer for bearings
27325	3003112		24	972,974		Door microswitch
27330	3000261		24	972,974		8 teeth pinion
27335	3003050		24	972,974		Neutral shaft for chain
27345	3000252		24	972,974		Adjustable food
27350	3003047		24	972,974		Shaft for chain rotation
27350	3000254		24	972,974		Gear right 1:100
27360	3000110		24	972,974	A	Conveyor motor
27360	3000109		24	972,974		Conveyor motor
27360	3000251		24	972,974	A	Conveyor motor



15_101_e

Spare parts

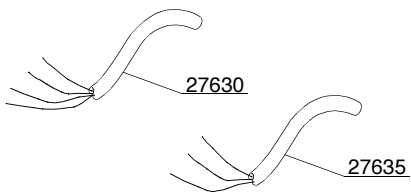
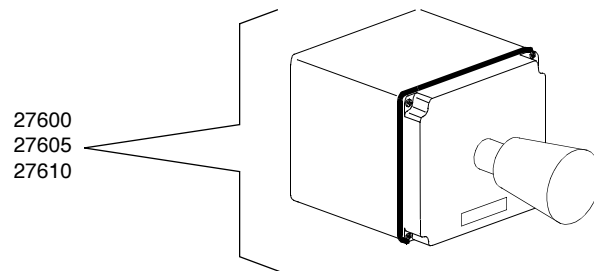
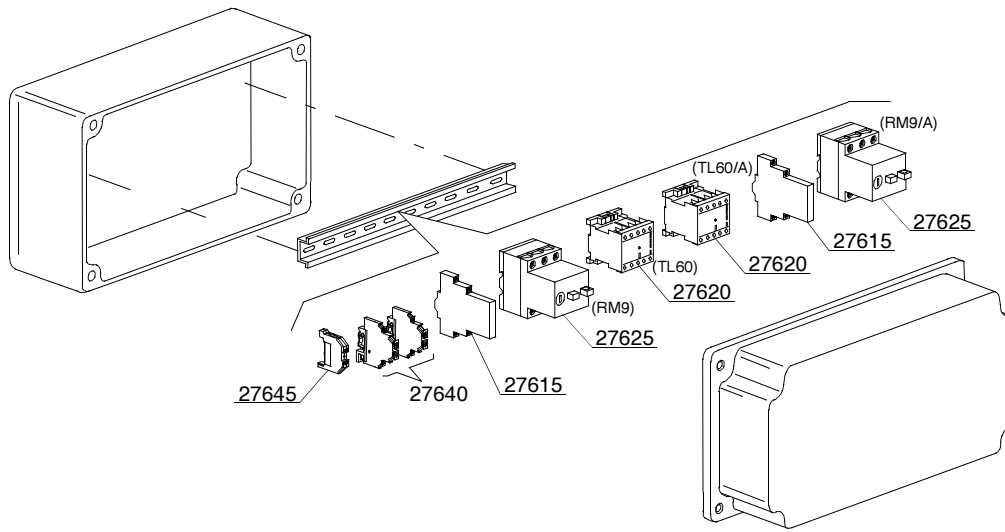
ID	P-code	Model	Type	Accessory	Voltage	Description
MODULE:Dryer motorized curve 90° - LC 97/4						
28400	3009326		24	974		Cover panel
28405	3009511		24	974		Carter



15_301_e

Spare parts

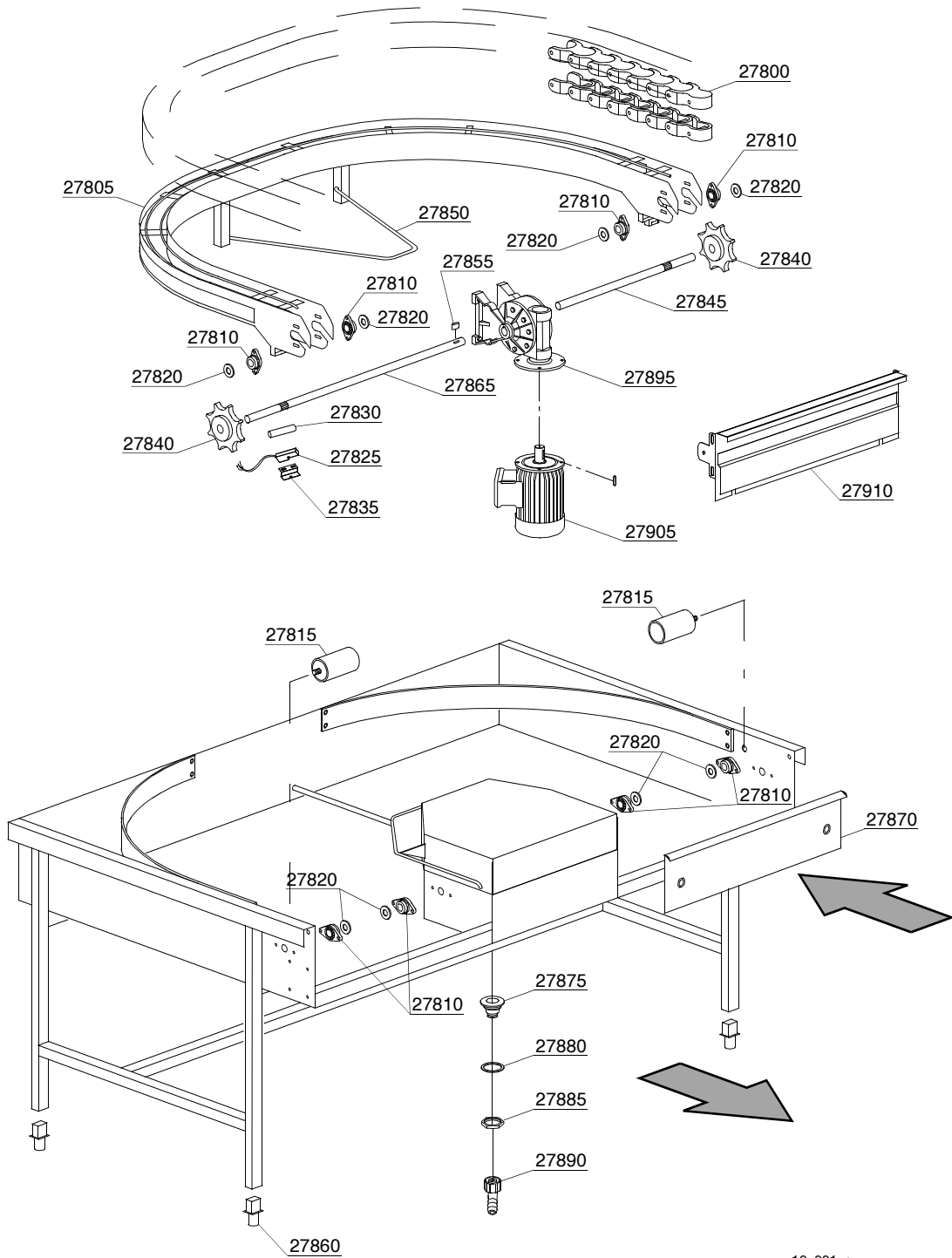
ID	P-code	Model	Type	Accessory	Voltage	Description
MODULE:Motorized curve 90° - LC 97/2: electric parts						
27400	3000264		24	972,974		Emergency box
27405	3000263		24	972,974		Emergency switch
27410	3002059		24	972,974		1R contact
27415	3006080		24	972,974		Auxiliary contact LMS25
27420	2000370		24	972,974		Contacto MC9
27425	2000390		24	972,974		Motorprotector 1 - 1.6A
27430	3006134		24	972,974		Flame-retardant cable 4x1,5mm
27435	3006136		24	972,974		Flame-retardant cable 3x1mm



15_303_e

Spare parts

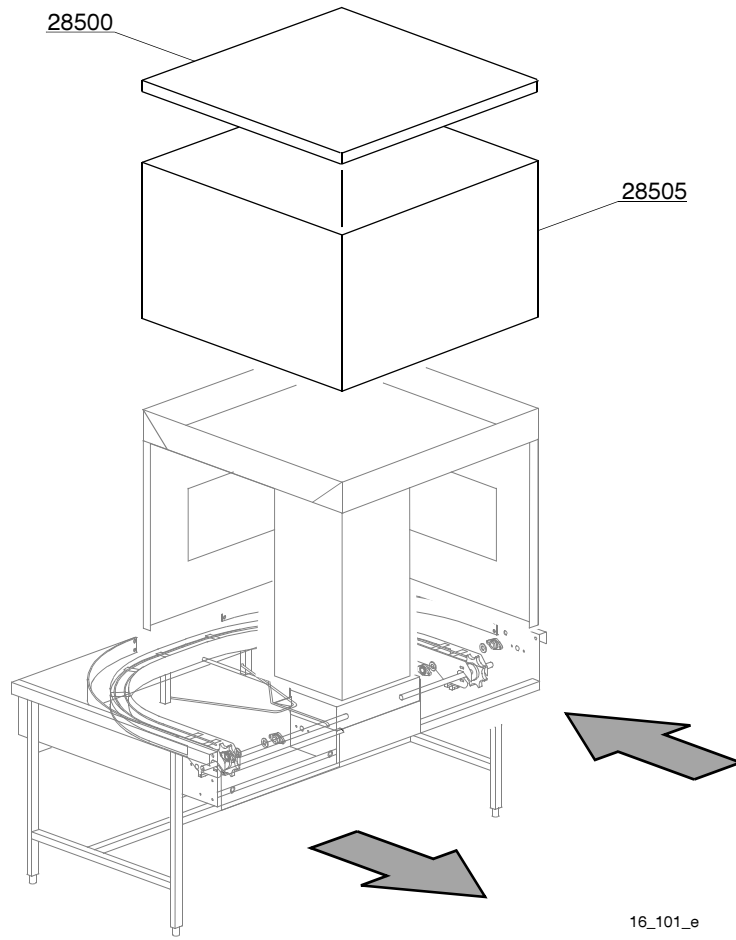
ID	P-code	Model	Type	Accessory	Voltage	Description
MODULE:Motorized curve 90° - LC 97/2: electric parts double speed - remote control						
27600	3000264		24	972,974		Emergency box
27605	3000263		24	972,974		Emergency switch
27610	3002059		24	972,974		1R contact
27615	3006080		24	972,974		Auxiliary contact LMS25
27620	2000370		24	972,974		Contacteur MC9
27625	2000390		24	972,974		Motorprotector 1 - 1.6A
27630	3006134		24	972,974		Flame-retardant cable 4x1,5mm
27635	3006136		24	972,974		Flame-retardant cable 3x1mm
27640	3006092		24	972,974		Clamp 4mm
27645	10300401		24	972,974		Earth clamp 4mm



16_001_e

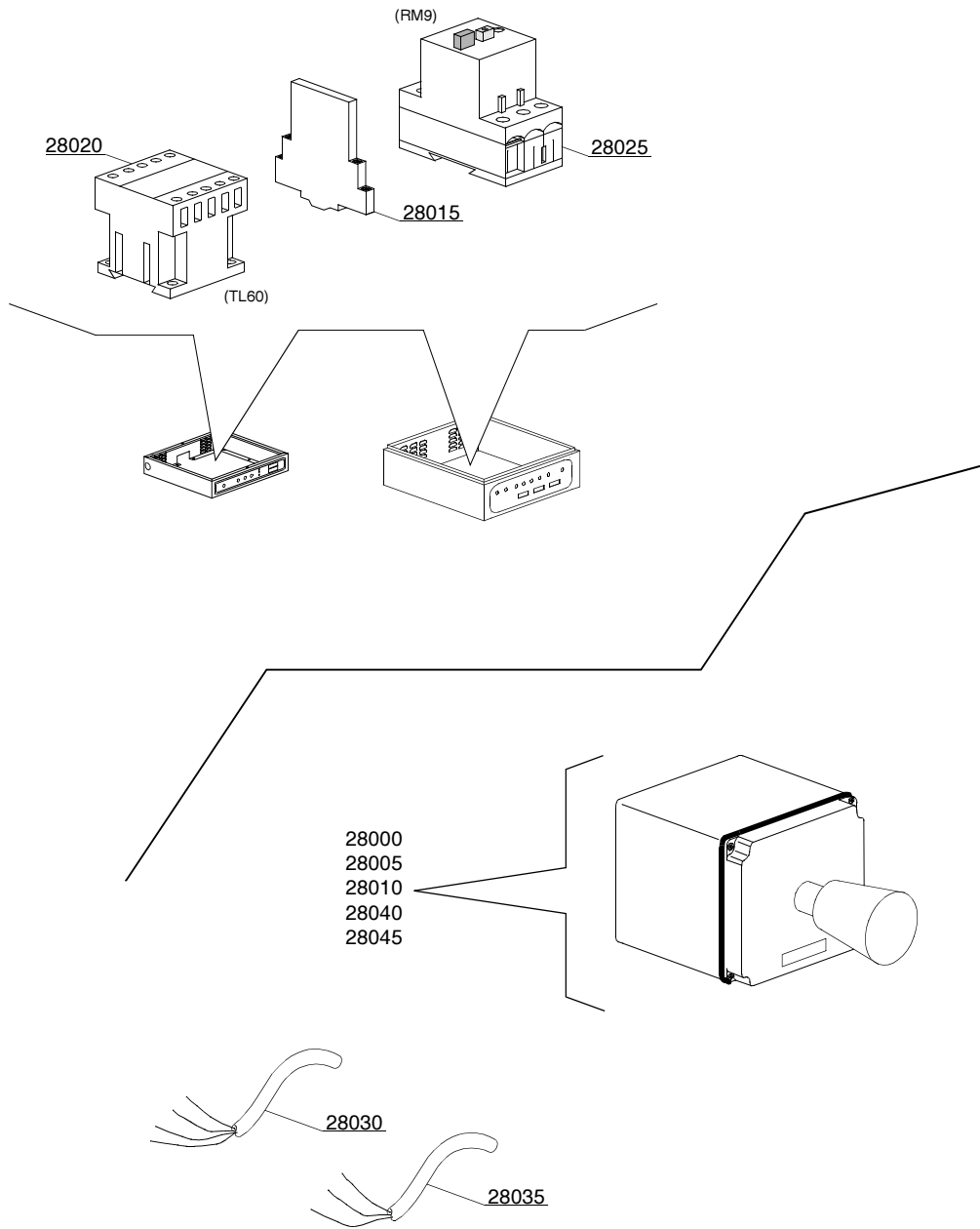
Spare parts

ID	P-code	Model	Type	Accessory	Voltage	Description
MODULE:Motorized curve 180° - LC 97/3						
27800	3000259		24	973,975		Chain for roller
27805	3003056		24	973,975		Kit guide for chain
27810	3000260		24	973,975		Flange for chain
27815	3000262		24	973,975		Ø50x80 embossment roller
27820	3003048		24	973,975		Spacer for bearings
27825	3003112		24	973,975		Door microswitch
27830	80232		24	973,975		Magnet for reed
27835	3009112		24	973,975		Holder for reed micro door
27840	3000261		24	973,975		8 teeth pinion
27845	3003051		24	973,975		Neutral shaft for chain
27850	3003053		24	973,975		Lifting arm for chain guide
27855	2001045		24	973,975		6x6x25 machine key
27860	3000252		24	973,975		Adjustable food
27865	3003047		24	973,975		Shaft for chain rotation
27870	3009609		24	973,975		Protection panel
27875	10200113		24	973,975		Floor drain
27880	10200173		24	973,975		75x58x2 gasket
27885	10200114		24	973,975		Drain floor nut
27890	15613		24	973,975		"1"" 1/4x30 nylon elbow"
27895	3000254		24	973,975		Gear right 1:100
27905	3000110		24	973,975	A	Conveyor motor
27905	3000109		24	973,975		Conveyor motor
27905	3000251		24	973,975	A	Conveyor motor



Spare parts

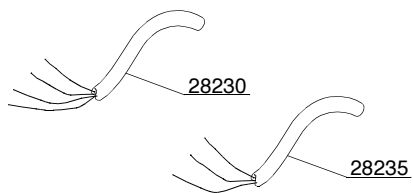
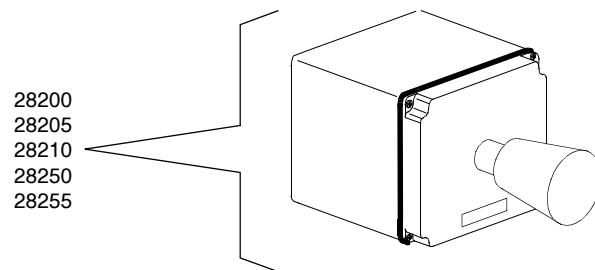
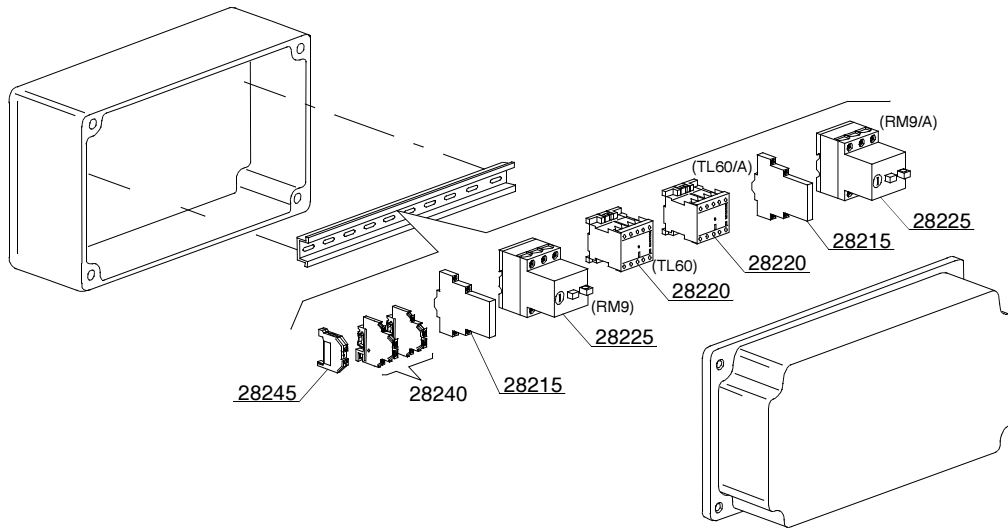
ID	P-code	Model	Type	Accessory	Voltage	Description
MODULE:Dryer motorized curve 180° - LC 97/5						
28500	3009326		24	975		Cover panel
28505	3009511		24	975		Carter



16_301_e

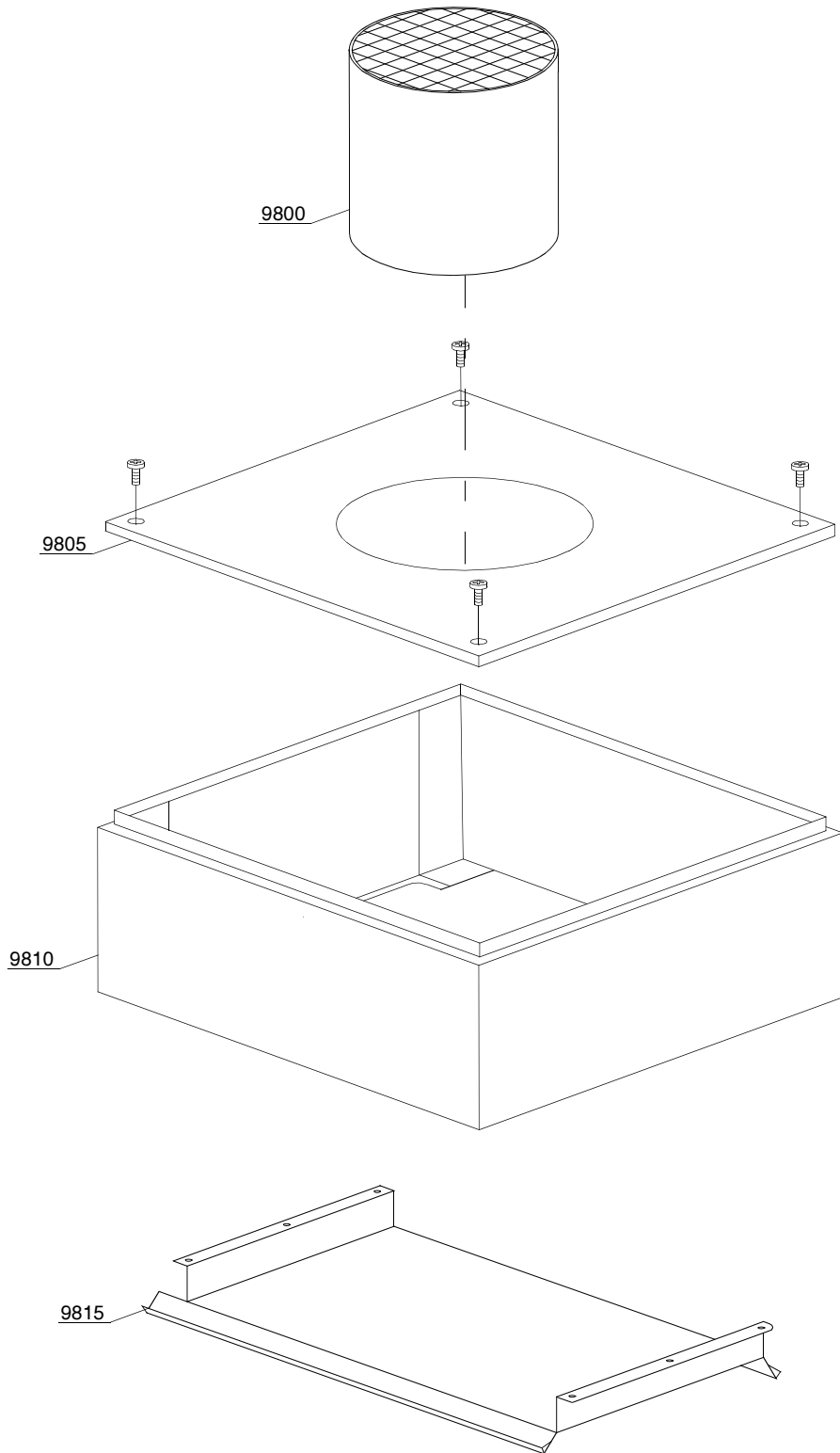
Spare parts

ID	P-code	Model	Type	Accessory	Voltage	Description
MODULE:Motorized curve 180° - LC 97/3: electric parts						
28000	3000264		24	973,975		Emergency box
28005	3000263		24	973,975		Emergency switch
28010	3002059		24	973,975		1R contact
28015	3006080		24	973,975		Auxiliary contact LMS25
28020	2000370		24	973,975		Contacteur MC9
28025	2000390		24	973,975		Motorprotector 1 - 1.6A
28030	3006134		24	973,975		Flame-retardant cable 4x1,5mm
28035	3006136		24	973,975		Flame-retardant cable 3x1mm
28040	3000266		24	973,975		Male connector with support
28045	3000267		24	973,975		Female connector with support



16_303_e

ID	P-code	Model	Type	Accessory	Voltage	Description
MODULE:Motorized curve 180° - LC 97/3: electric parts double speed - remote control						
28200	3000264		24	973,975		Emergency box
28205	3000263		24	973,975		Emergency switch
28210	3002059		24	973,975		1R contact
28215	3006080		24	973,975		Auxiliary contact LMS25
28220	2000370		24	973,975		Contactora MC9
28225	2000390		24	973,975		Motorprotector 1 - 1.6A
28230	3006134		24	973,975		Flame-retardant cable 4x1,5mm
28235	3006136		24	973,975		Flame-retardant cable 3x1mm
28240	3006092		24	973,975		Clamp 4mm
28245	10300401		24	973,975		Earth clamp 4mm
28250	3000266		24	973,975		Male connector with support
28255	3000267		24	973,975		Female connector with support

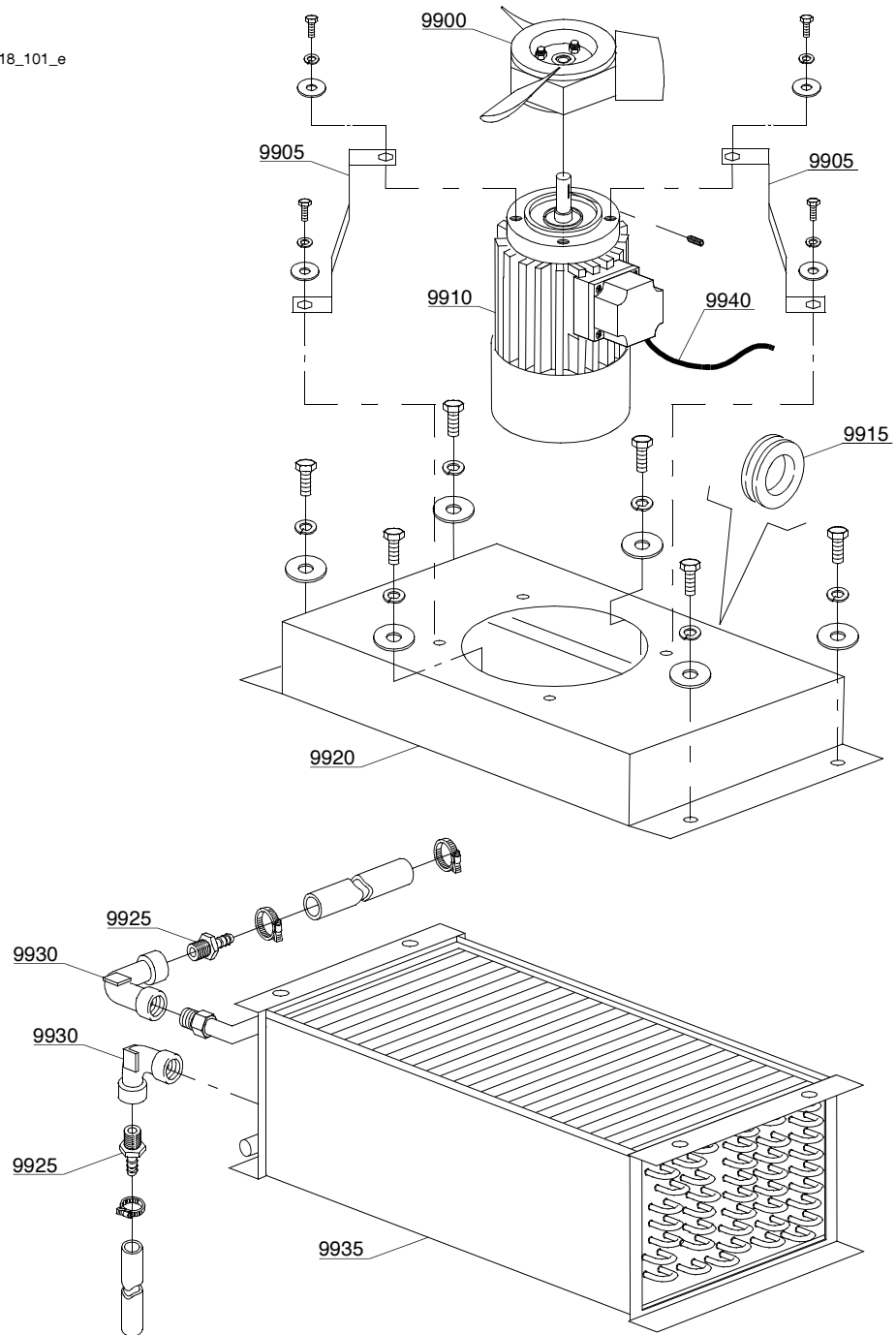


18_001_e

Spare parts

ID	P-code	Model	Type	Accessory	Voltage	Description
MODULE:Steam condenser - part 1						
9800	3009499		24	sc9		Chimney
9805	3009306		24	sc9		Cover with hole
9810	3009502		24	sc9		Complete body
9815	3009090		24	sc9		Suction group

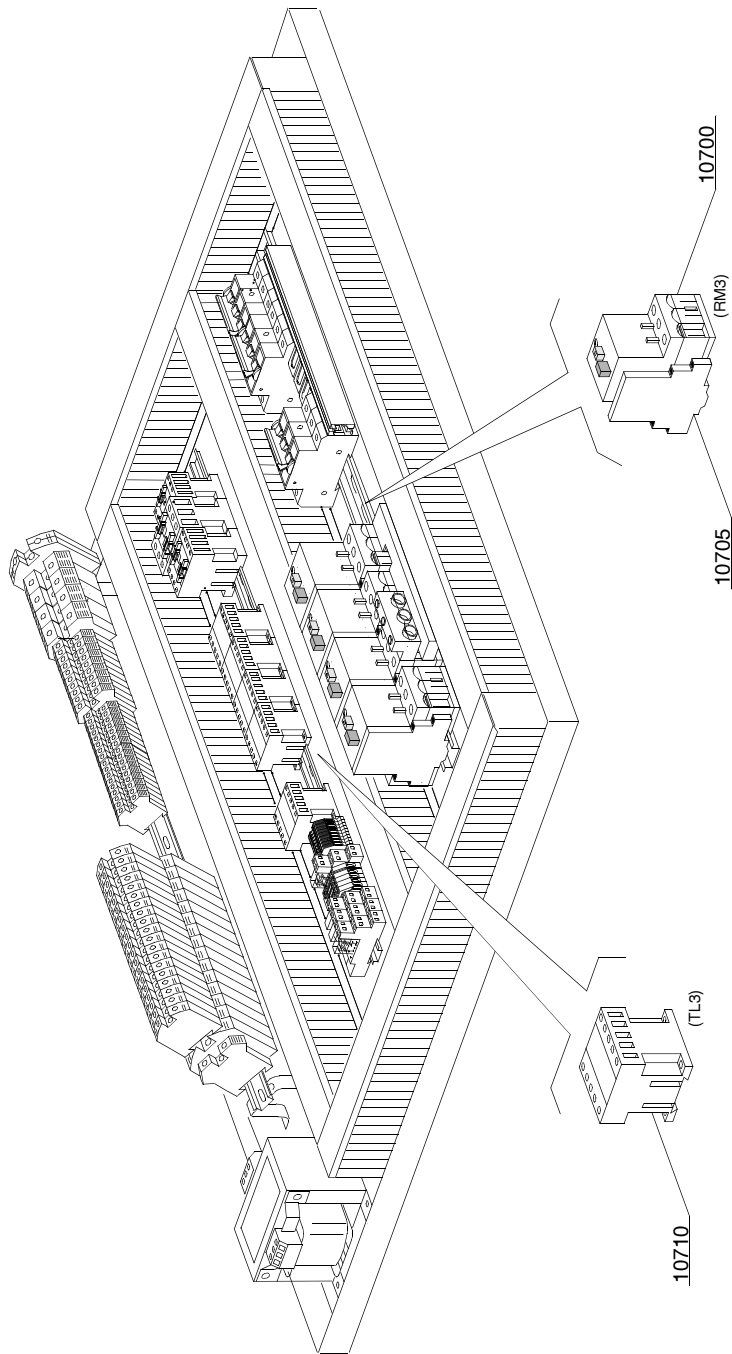
18_101_e



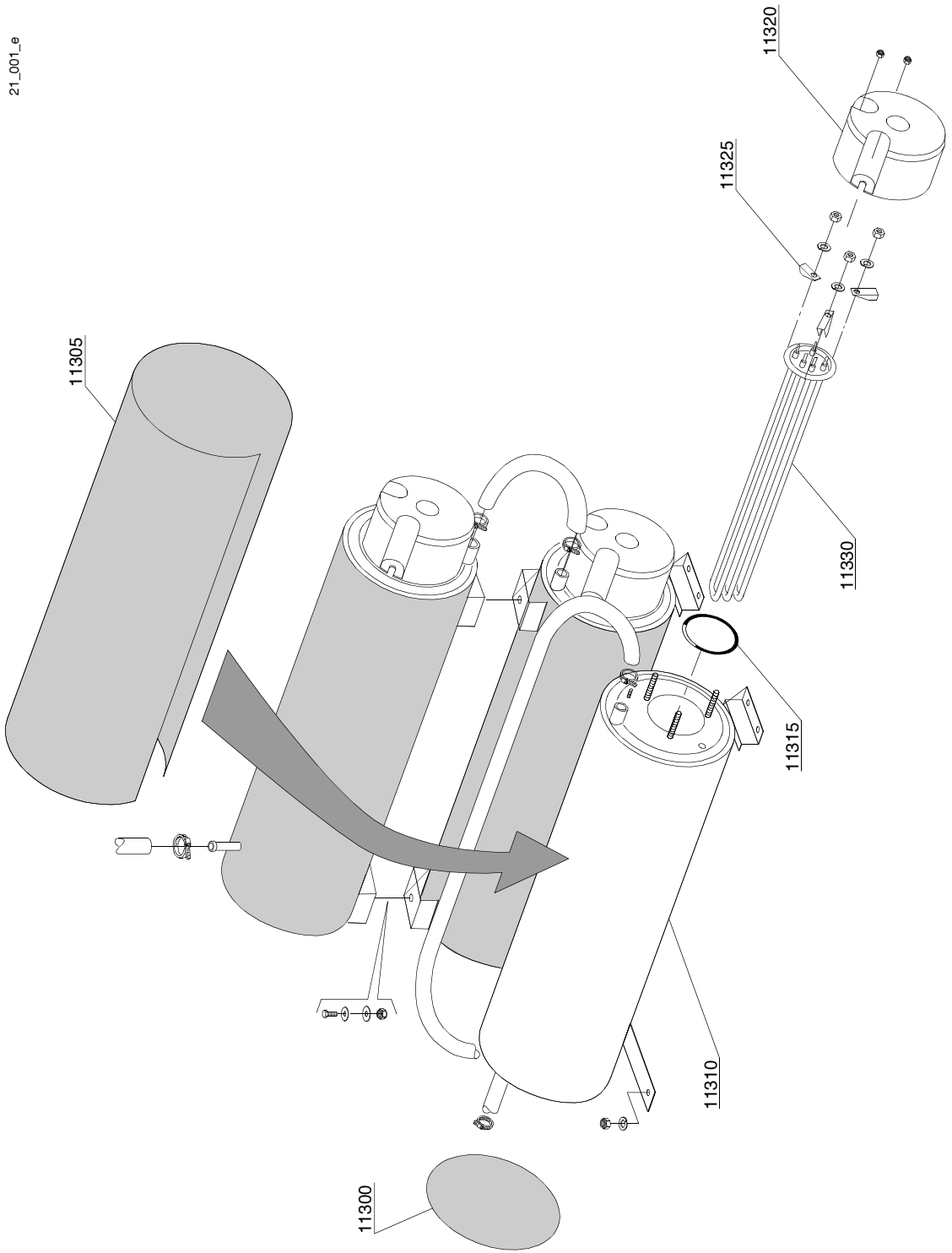
Spare parts

ID	P-code	Model	Type	Accessory	Voltage	Description
MODULE:Steam condenser - part 2						
9900	3000125		24	sc9		Impeller fan
9905	3009106		24	sc9		Motor holder
9910	3000120		24	sc9	A	Motor 0.18KW
9915	13329		24	sc9		Fairlead
9920	3009079		24	sc9		Steam condenser base
9925	12023		24	sc9		Hose holder
9930	3002139		24	sc9		Elbow
9935	3000155		24	sc9		Heating recovery battery
9940	15184		24	sc9		Cable

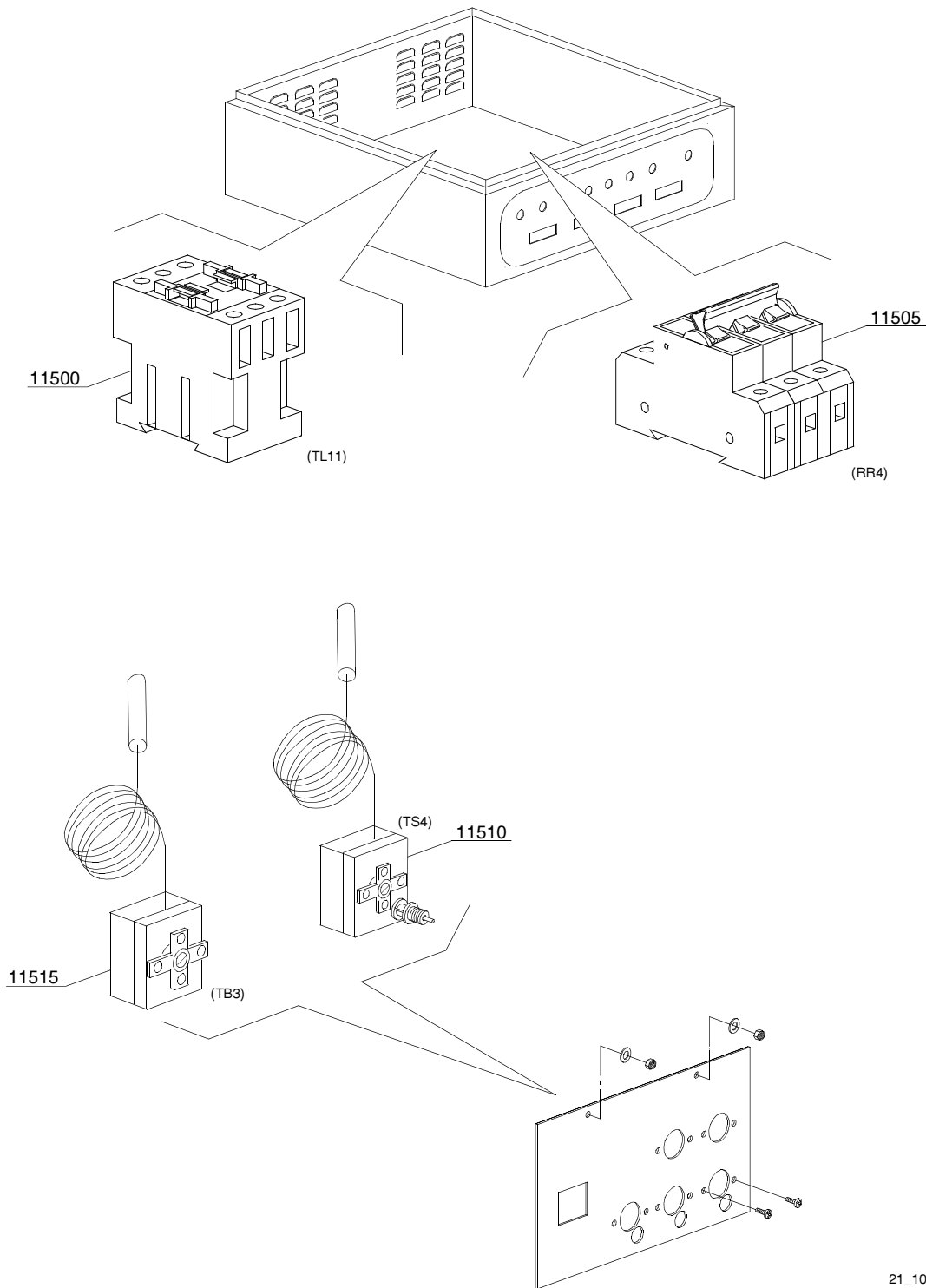
18_203_e



ID	P-code	Model	Type	Accessory	Voltage	Description
MODULE:Steam condenser - part 3						
10700	2000390		24	sc9	A	Motorprotector 1 - 1.6A
10705	3006080		24	sc9	A	Auxiliary contact LMS25
10710	2000370		24	sc9	A	Contactore MC9



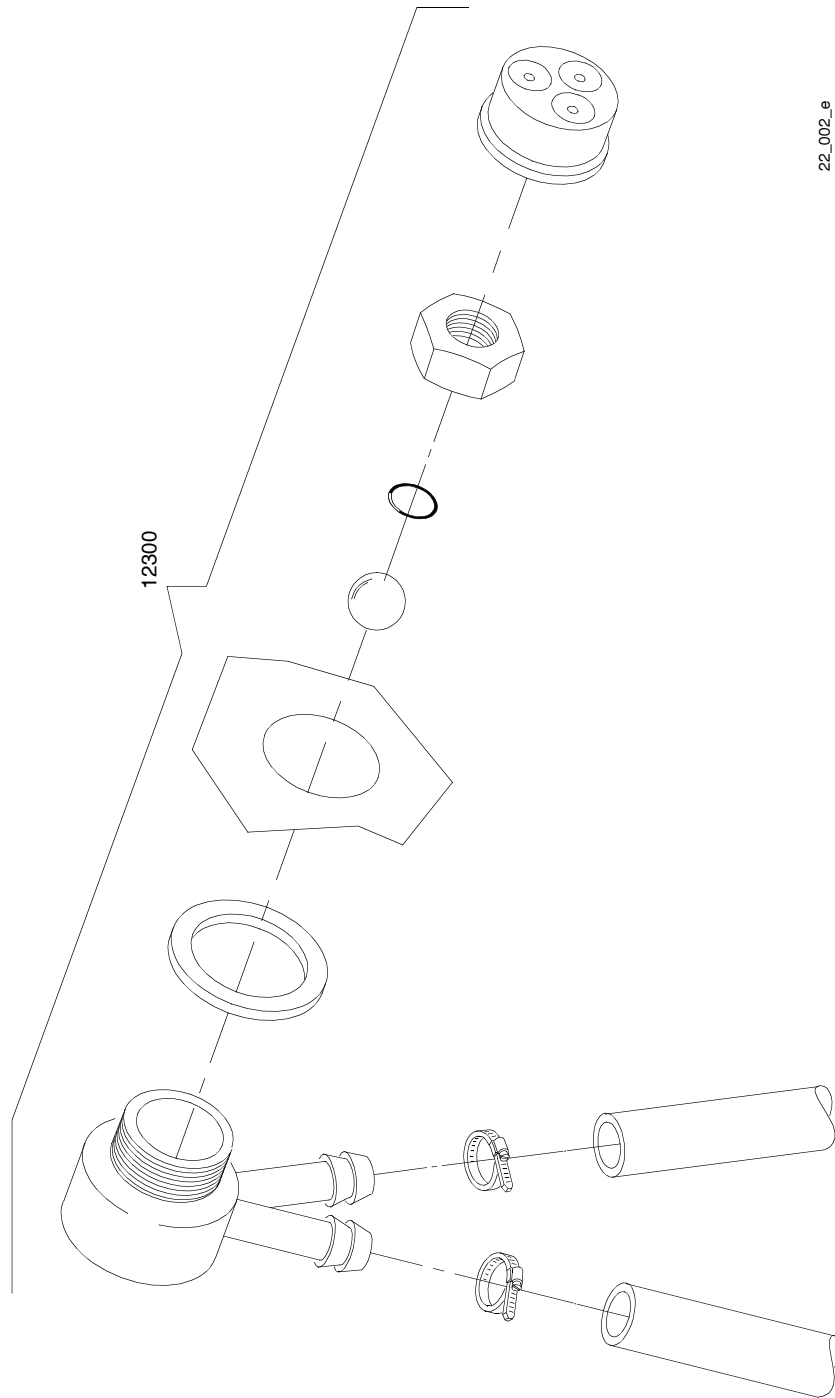
ID	P-code	Model	Type	Accessory	Voltage	Description
MODULE:Additional boiler components						
11300	75205		24	cw		Bottom boiler insulating
11305	30002030		24	cw		Boiler insulating
11310	3007012		24	cw		Boiler
11315	13015		24	cw		O-ring 160 (6225)
11320	75311		24	cw		Heating element cover
11325	16045		24	cw		Heating element support Ø6,3
11330	30001010		24	cw	A	Heating element 6kW
11330	30001011		24	cw	A	Heating element 9kW
11330	30001011/A		24	cw	A	Heating element 12kW
11330	30001011/B		24	cw	A	Heating element 14kW



21_101_€

Spare parts

ID	P-code	Model	Type	Accessory	Voltage	Description
MODULE:Additional boiler: electrical components						
11500	2000380		24	cw	A	Contactactor BF12 (heating element < 9 kW)
11500	2000385		24	cw	A	Contactactor BF20 (heating element > 9 kW)
11505	2000403		24	cw	A	Automatic fuse C20 (heating element < 9 kW)
11505	2000404		24	cw	A	Automatic fuse C25 (heating element > 9 kW)
11510	2000430		24	cw		Safety thermostat
11515	10707/1		24	cw		Thermostat 0 - 90° (TB2)

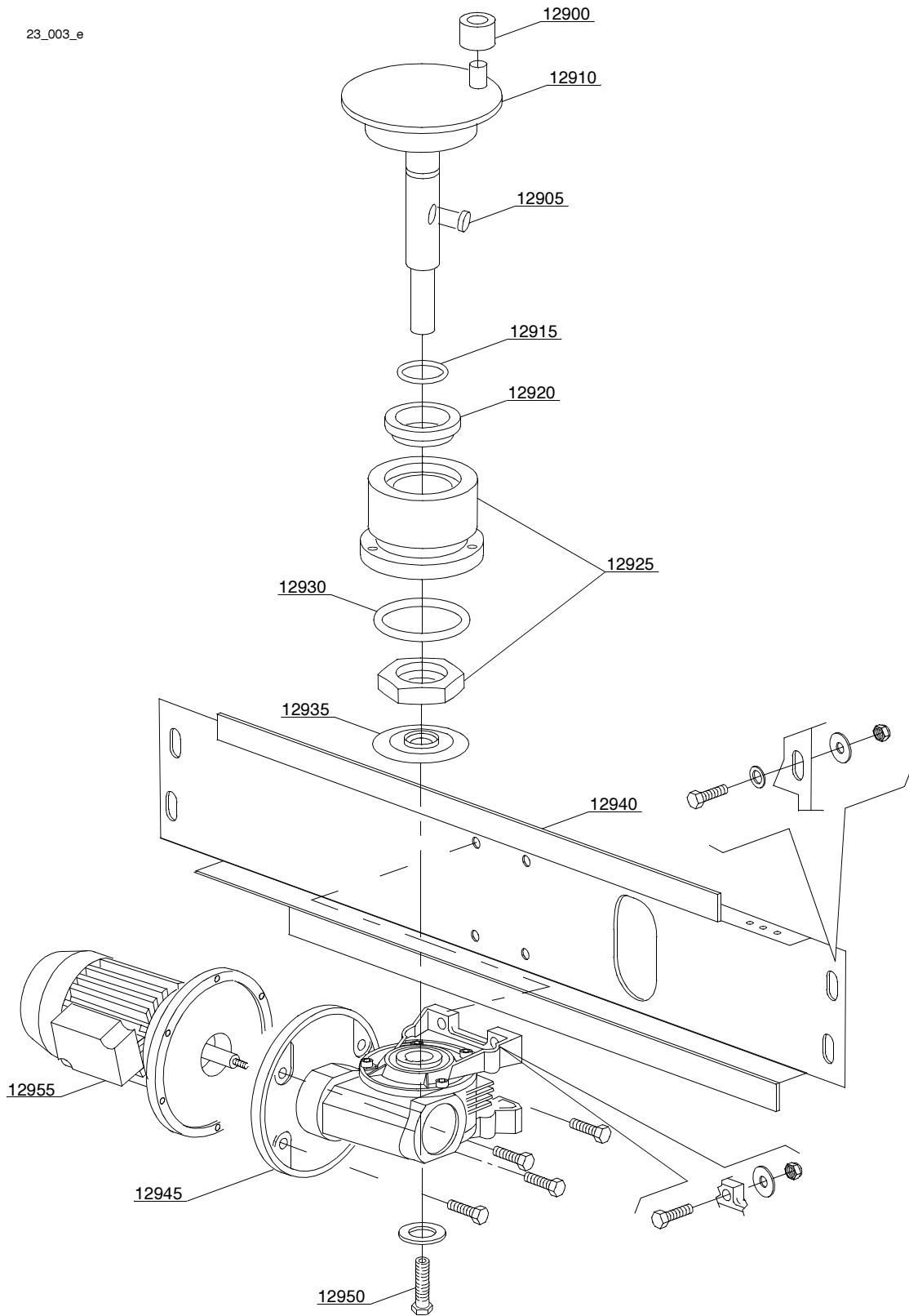


22_002_e

Spare parts

ID	P-code	Model	Type	Accessory	Voltage	Description
MODULE:DVGW valve						
12300	999900006		24	dvgw		DVGW valvola assembly

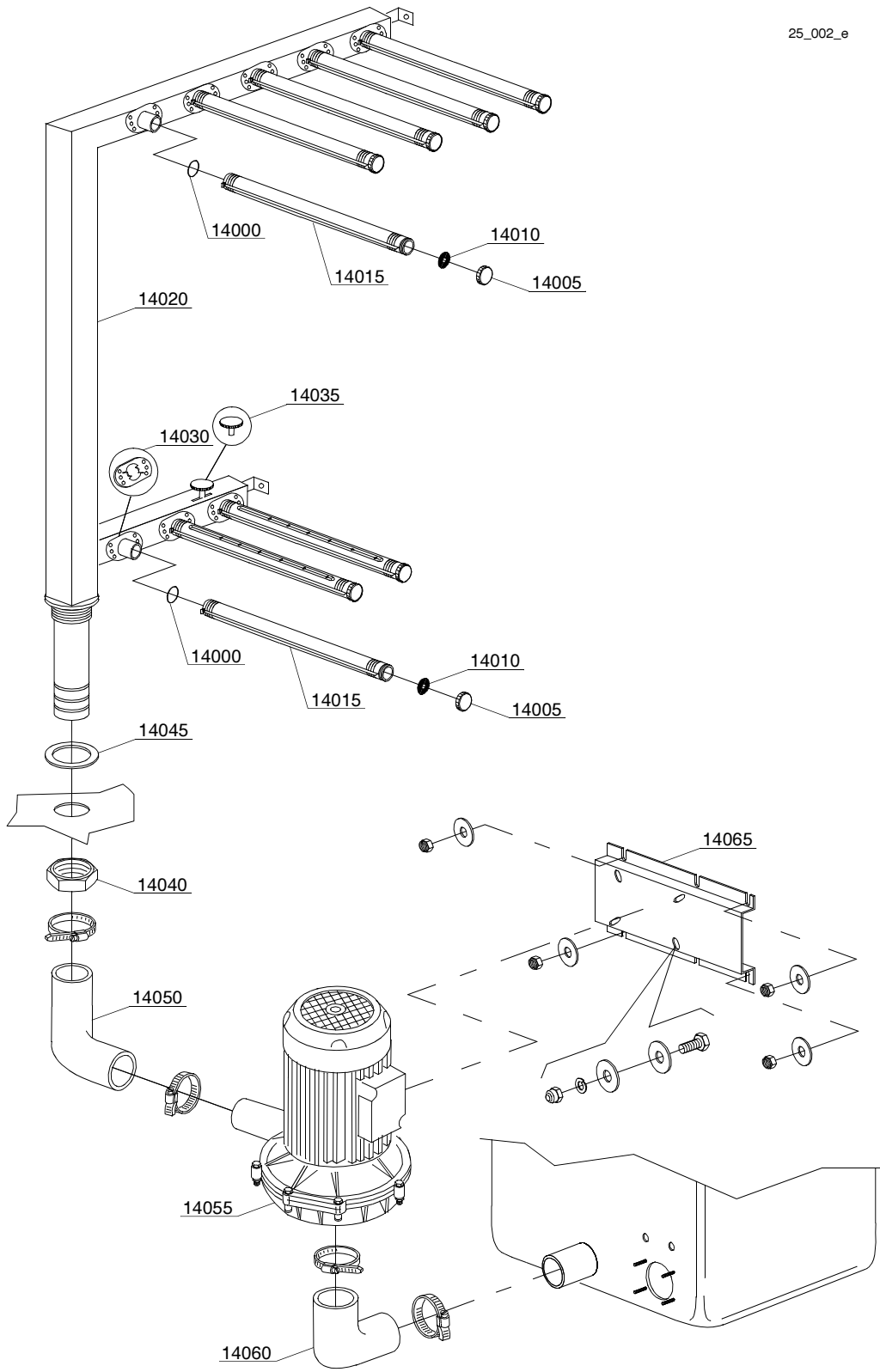
23_003_e



Spare parts

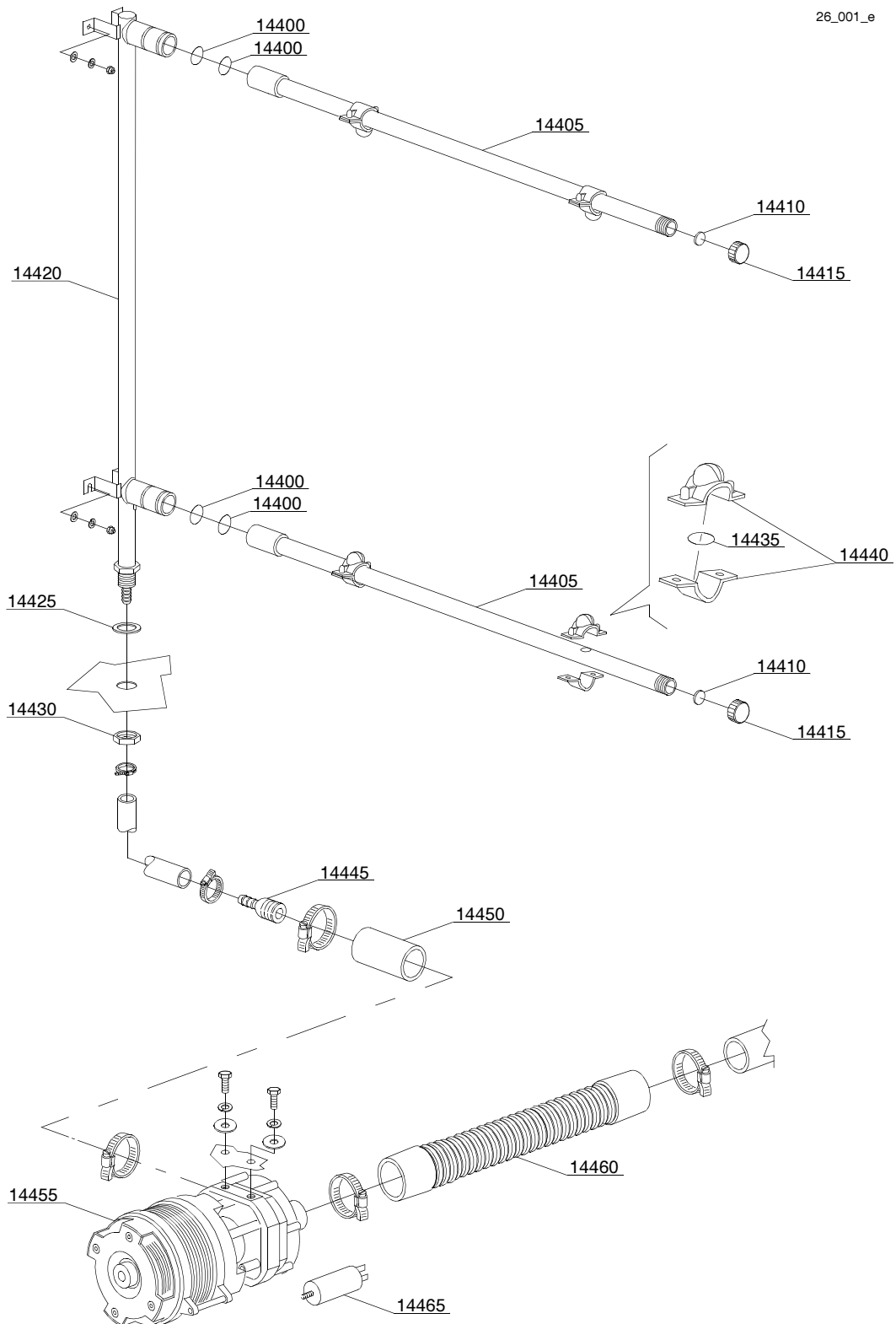
ID	P-code	Model	Type	Accessory	Voltage	Description
MODULE:Motorgear components module 900						
12900	3003012		24			Conveyor roller
12905	2001046		24			Key
12910	3003116		24			Crank shaft
12915	13023		24			O-ring 131 (4093)
12920	13024		24			Oil splash guard DEM 40 TC 30x42x7 with spring
12925	3004131		24			Coupling part serie
12930	13015		24			O-ring 160 (6225)
12935	3004161		24			Protection disk
12940	3009149		24			Motorgear support
12945	3000212		24			Gear right 1:60
12945	3000213		24			Gear left 1:60
12950	11165		24			Screw
12955	3000110		24		A	Conveyor motor
12955	3000109		24			Conveyor motor

25_002_e



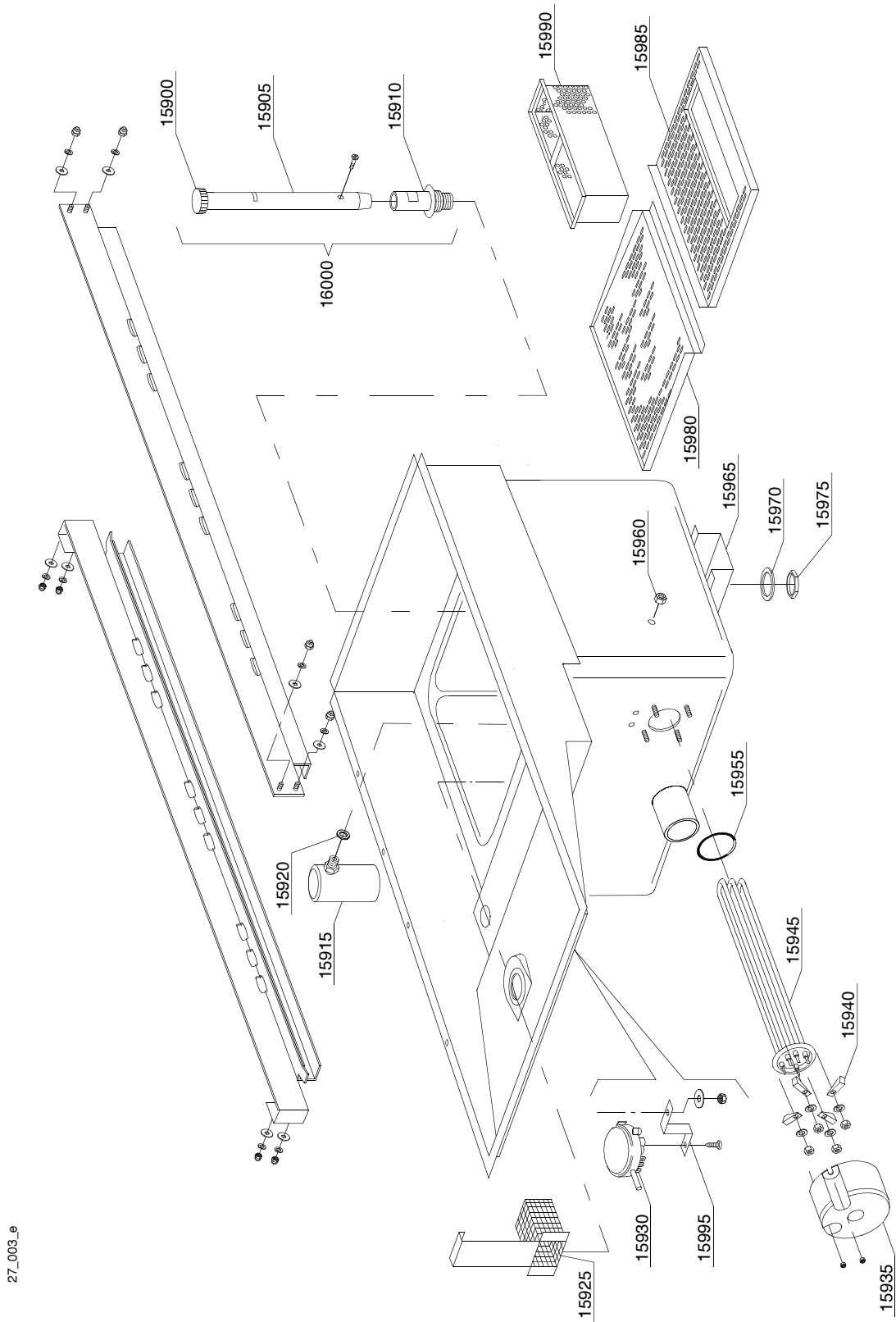
Spare parts

ID	P-code	Model	Type	Accessory	Voltage	Description
MODULE:Washing components 5+3						
14000	13023		24			O-ring 131 (4093)
14005	80304		24			Arm plug
14010	80305		24			Gasket
14015	3004147		24			Wash arm
14020	3004142		24			Right wash ramp
14020	3004143		24			Left wash ramp
14030	3004148		24			Arm connection flange
14035	3004146		24			Water flow adjuster
14040	10600012		24			Flat nut
14045	10200173/A		24			Gasket 75x58x3
14050	3004025		24			Elbow coupling press.
14055	88106		24		A	Pump 2 kW
14055	88106/B		24		H	Pump 2 kW - 220/380-415 V 60Hz
14055	88106/E		24			Pump 2 kW - 240/415 V 50Hz
14060	3002020		24			Suction elbow coupling
14065	3009113		24			Pump support



Spare parts

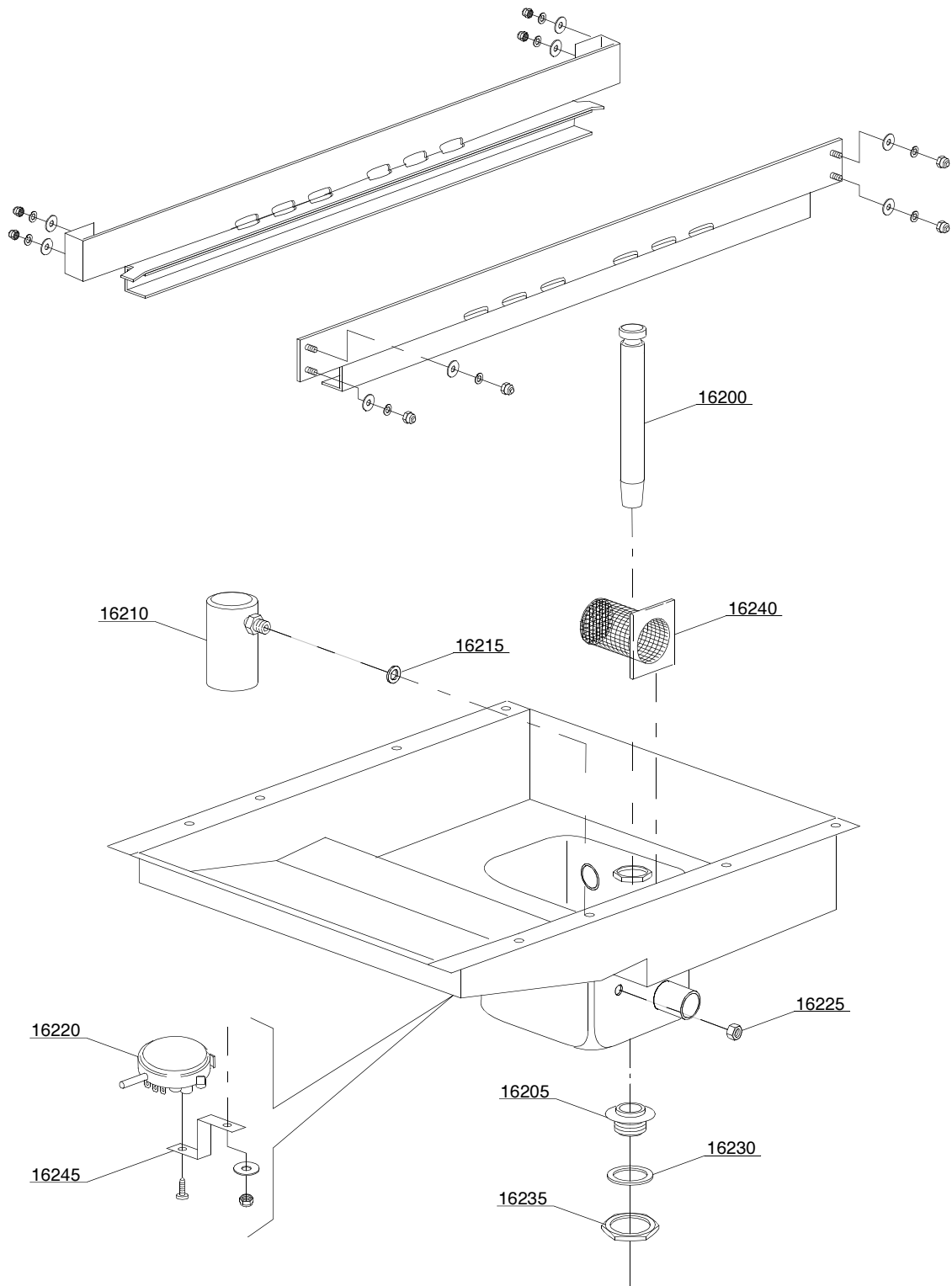
ID	P-code	Model	Type	Accessory	Voltage	Description
MODULE:Prerinsing components						
14400	13025		24			O-ring 2081
14405	3003903		24			Prewashing arm 2 nozzle
14410	2002051		24			Gasket EPDM 17.5x1.5
14415	2002054		24			Plug for arm
14420	3003953		24			Prerinsing ramp
14425	13326		24			Gasket 38x27x2
14430	2200103		24			Nut
14435	13009		24			O-ring 2050
14440	10746/A		24			Nozzle pr
14445	3003063		24			Hose connection
14450	10718		24			Pump elbow
14455	10501/C		24		A	Prerinsing pump 100W
14460	18767/A		24			Coupling
14465	10702		24			5 uF condenser



27_003_e

Spare parts

ID	P-code	Model	Type	Accessory	Voltage	Description
MODULE:Internal components washing module 900						
15900	88105		24			Overflow pipe plug
15905	3004094		24			Overflow pipe
15905	2000477		24			Overflow pipe
15910	3004099		24			Overflow device support
15915	80106		24			Air trap
15920	13301		24			Gasket ROLMART 14x8x1.5
15925	3019071		24			Pump suction-filter
15930	88110		24			Pressure switch (260-30)
15935	75311		24			Heating element cover
15940	16045		24			Heating element support Ø6.3
15945	30001011		24		A	Heating element 9kW
15945	30001011/A		24		A	Heating element 12kW
15945	30001011/B		24		A	Heating element 14kW
15955	13015		24			O-ring 160 (6225)
15960	11702		24			Nut
15965	3009299		24			Tank support
15970	10200173		24			Gasket 75x58x3
15975	10600012		24			Flat nut
15980	3009567		24			Strainer plate, back
15985	3019074		24			Strainer plate front
15990	3019065		24			Scrap tray
15995	3009363		24			Pressure switch support
16000	3004101		24			Overflow pipe assembly
16000	3004115		24			Overflow pipe assembly

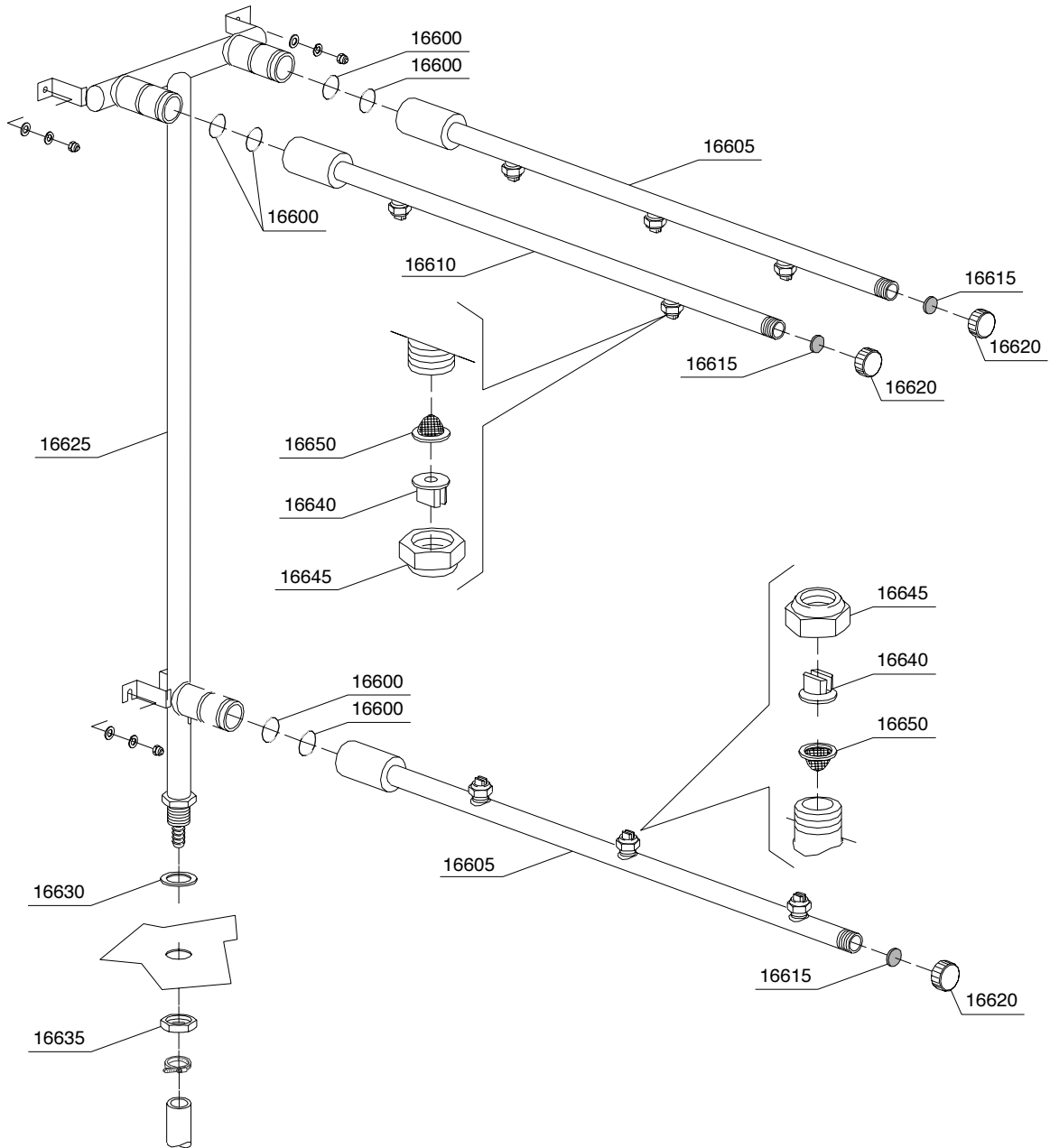


27_005_e

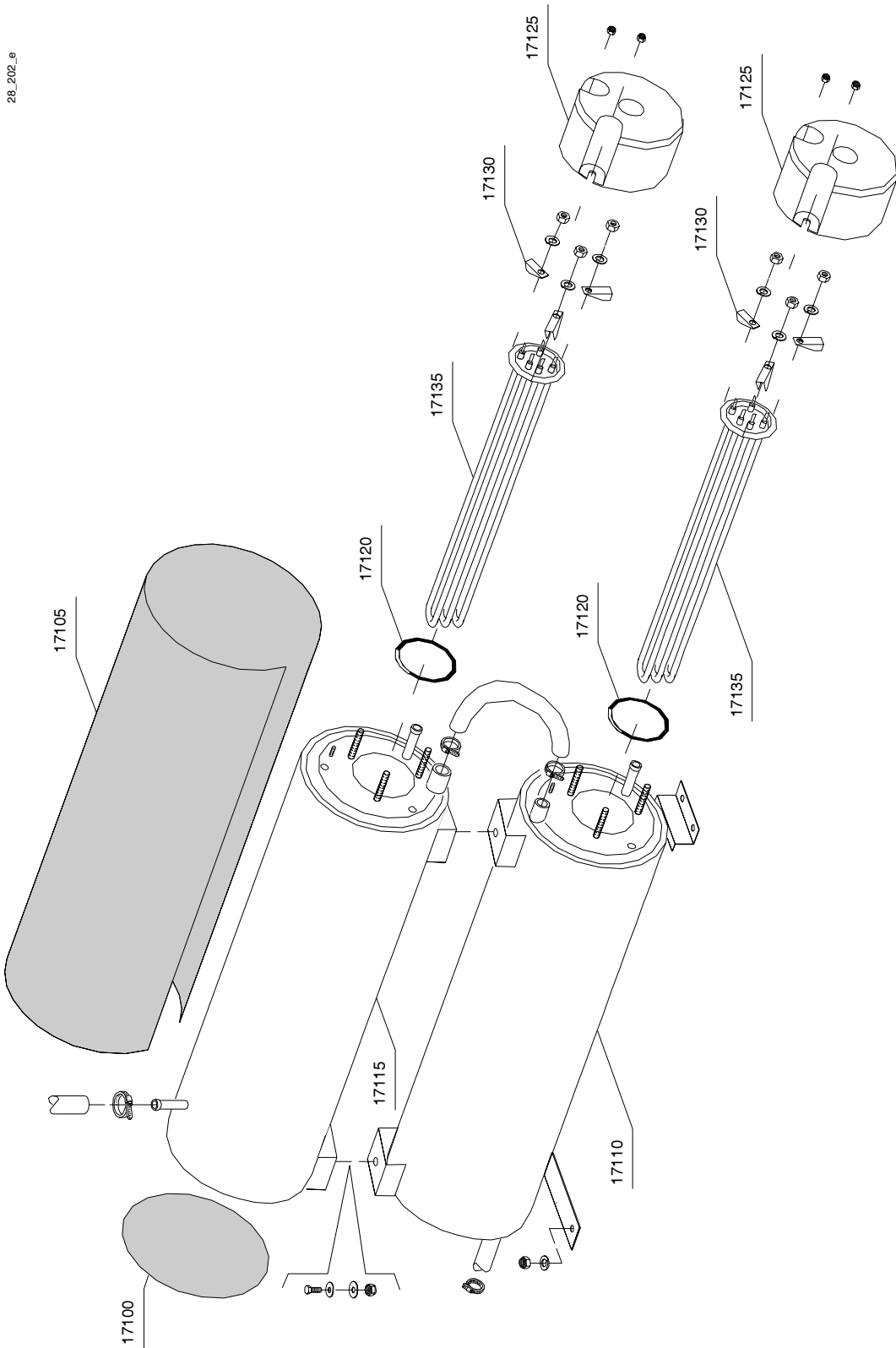
Spare parts

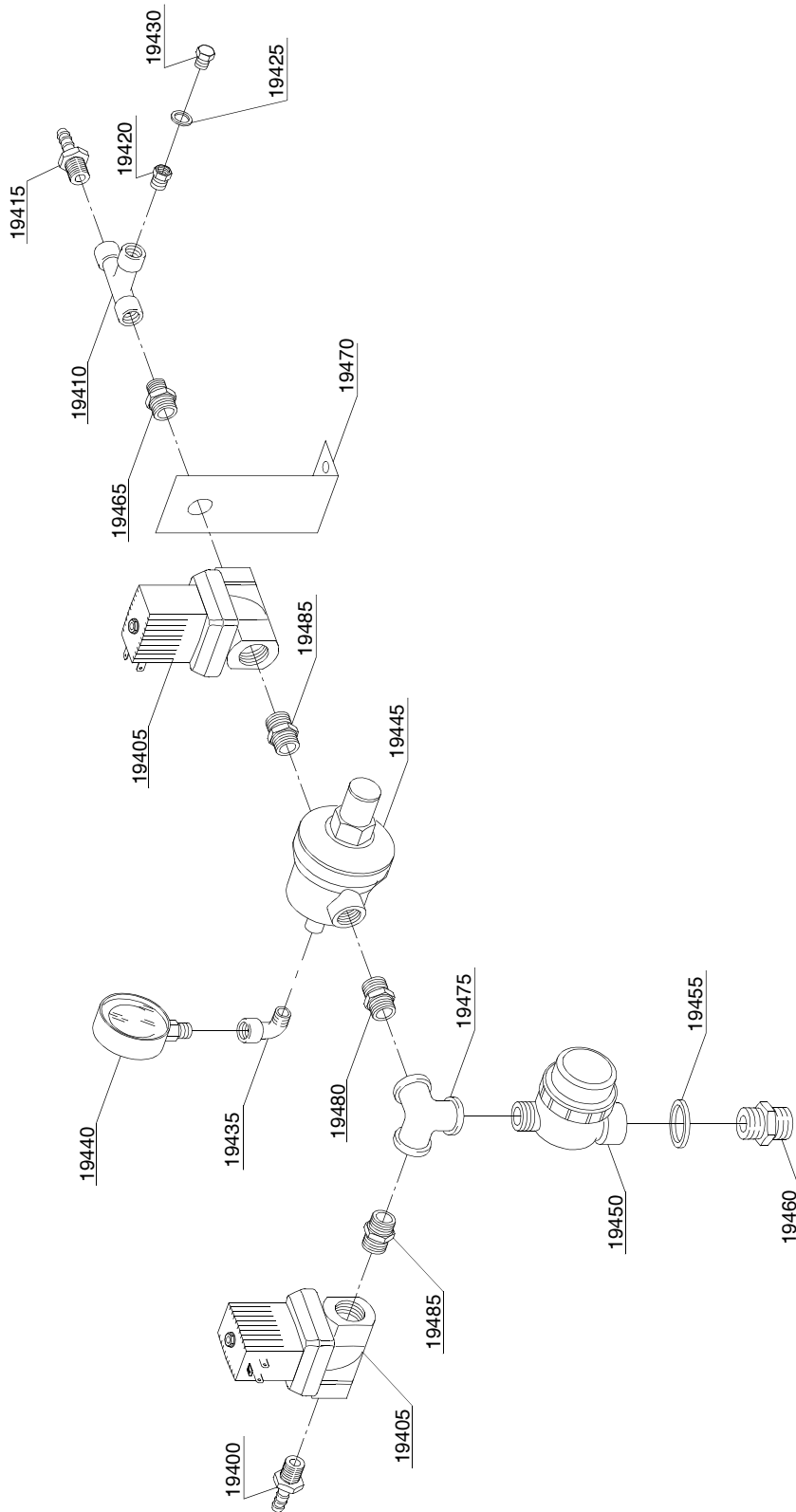
ID	P-code	Model	Type	Accessory	Voltage	Description
MODULE:Internal components rinsing module 600						
16200	3004089		24			Tank plug
16205	15063		24			Stainless steel floor drain
16210	80106		24			Air trap
16215	13301		24			Gasket ROLMART 14x8x1.5
16220	10706/A		24			Pressure switch (55-30)
16225	11702		24			Nut
16230	13305		24			Gasket 44x32x3
16235	11701/A		24			Nut
16240	10914		24			Pump filter
16245	3009363		24			Pressure switch support

28_002_e



ID	P-code	Model	Type	Accessory	Voltage	Description
MODULE:Rinsing components						
16600	13025		24			O-ring 2081
16605	3003902		24			Rinsing arm 3 nozzle
16610	3003901		24			Rinsing arm 2 nozzle
16615	2002051		24			Gasket EPDM 17.5x1.5
16620	2002054		24			Plug for arm
16625	3003952		24			Rinsing ramp
16630	13326		24			Gasket 38x27x2
16635	2200103		24			Nut
16640	2200114		24			Nozzle
16645	2200116		24			Nut
16650	2200117		24			Filter

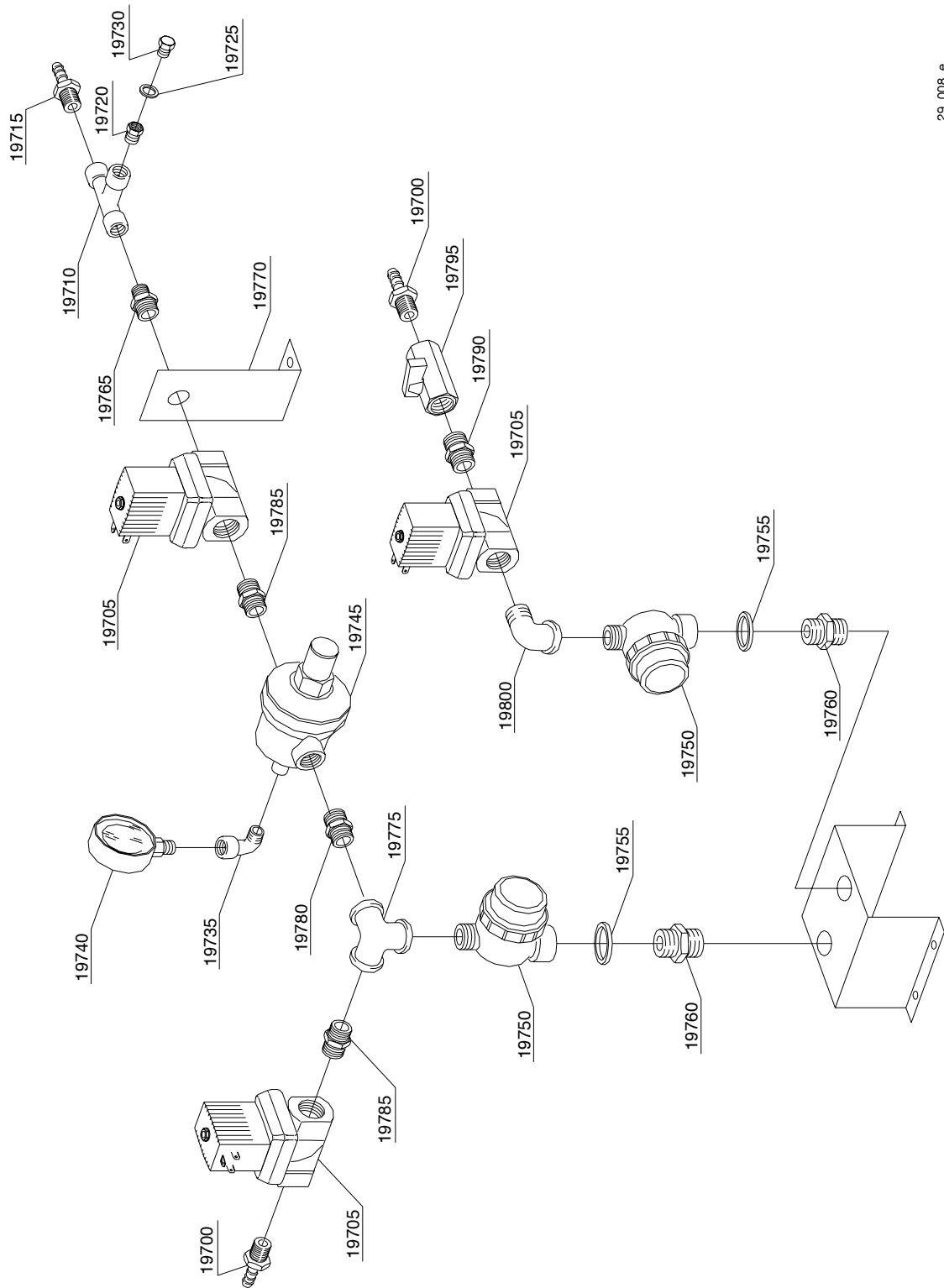




29_007_e

Spare parts

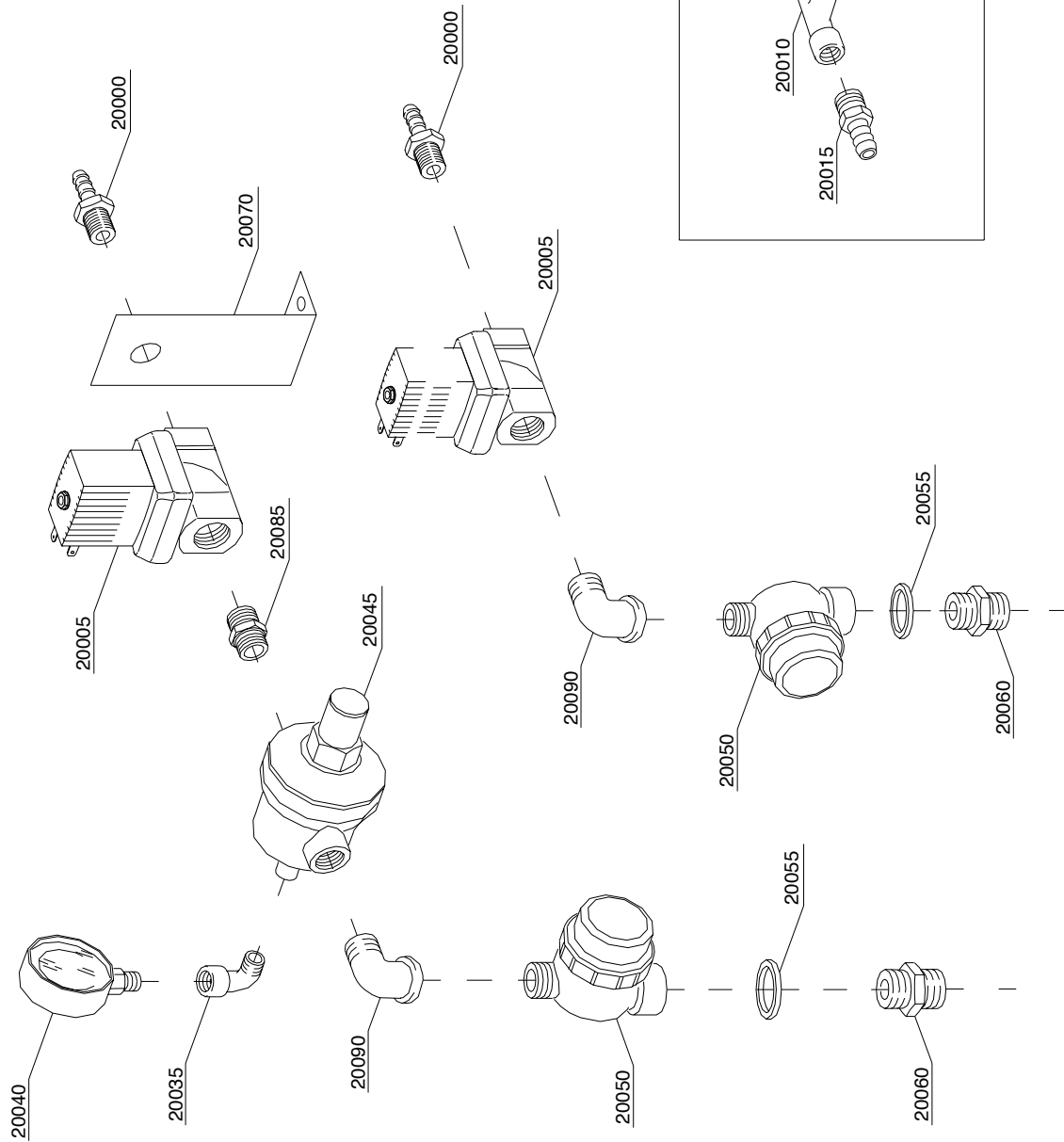
ID	P-code	Model	Type	Accessory	Voltage	Description
MODULE:Solenoid valves components						
19400	12023		24			Hose holder
19405	3002030		24			Solenoid valve
19410	12008		24			Connection T
19415	12005		24			Hose holder
19420	12032		24			Reduction nipples
19425	13309		24			Gasket 14x10x1.5
19430	12002		24			Plug
19435	12012		24			Elbow
19440	2000244		24			Pressure reduction gauge
19445	2000364		24			Pressure reduction valve
19450	2000121		24			Filter
19455	13326		24			Gasket 38x27x2
19460	12025		24			Nipples
19465	12033		24			Nipples
19470	3009439		24			Solenoid valve support
19475	3002143		24			Elbow distributor
19480	10200208		24			Nipples
19485	3002145		24			Reduction nipples
MODULE:Solenoid valves components						
19400	12023		24	d9,d92,974,975,d94		Hose holder
19405	3002030		24	d9,d92,974,975,d94		Solenoid valve
19410	12008		24	d9,d92,974,975,d94		Connection T
19415	12005		24	d9,d92,974,975,d94		Hose holder
19420	12032		24	d9,d92,974,975,d94		Reduction nipples
19425	13309		24	d9,d92,974,975,d94		Gasket 14x10x1.5
19430	12002		24	d9,d92,974,975,d94		Plug
19435	12012		24	d9,d92,974,975,d94		Elbow
19440	2000244		24	d9,d92,974,975,d94		Pressure reduction gauge
19445	2000364		24	d9,d92,974,975,d94		Pressure reduction valve
19450	2000121		24	d9,d92,974,975,d94		Filter
19455	13326		24	d9,d92,974,975,d94		Gasket 38x27x2
19460	12025		24	d9,d92,974,975,d94		Nipples
19465	12033		24	d9,d92,974,975,d94		Nipples
19470	3009439		24	d9,d92,974,975,d94		Solenoid valve support
19475	3002143		24	d9,d92,974,975,d94		Elbow distributor
19480	10200208		24	d9,d92,974,975,d94		Nipples
19485	3002145		24	d9,d92,974,975,d94		Reduction nipples
			24			



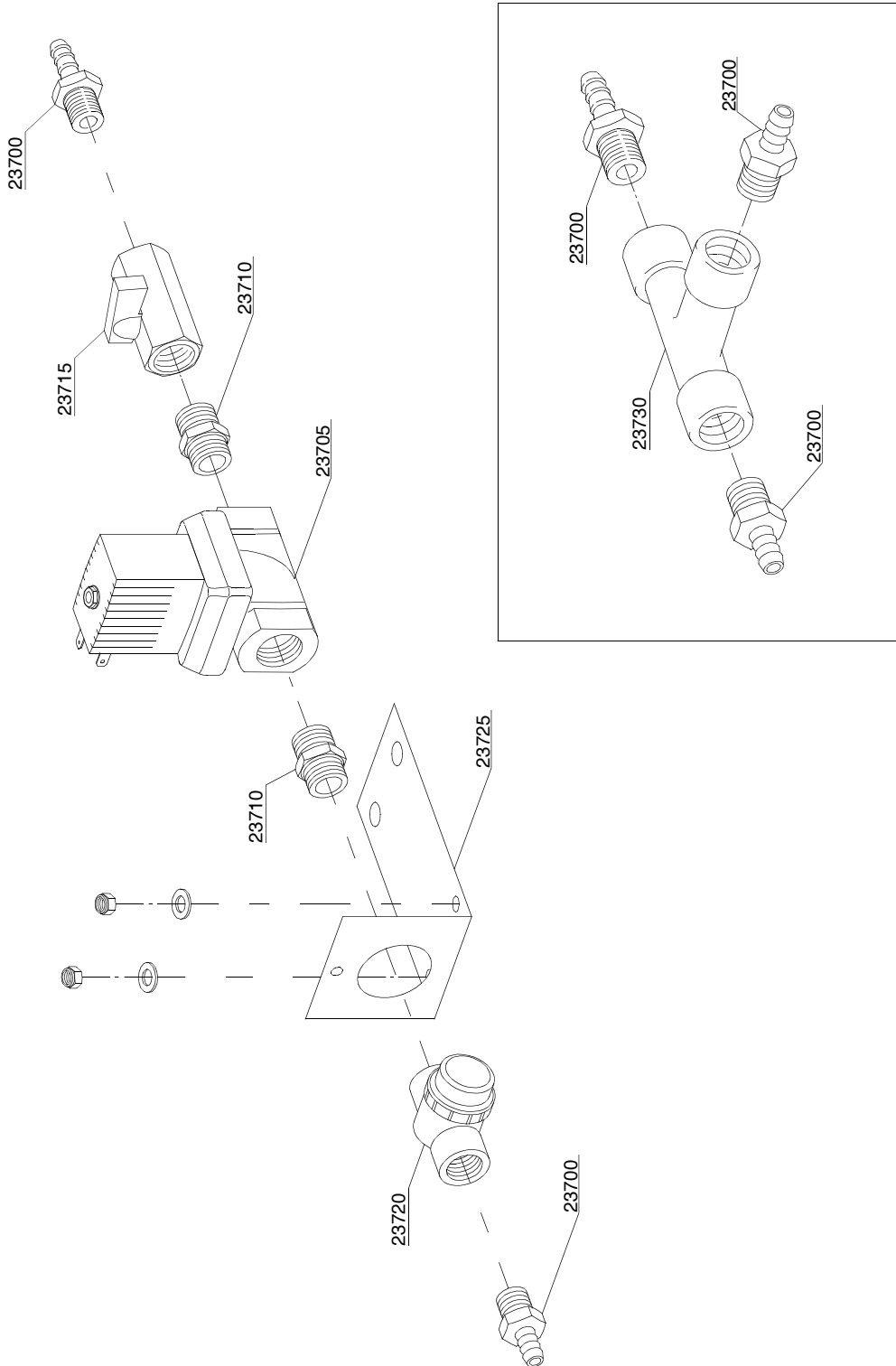
29_008_e

Spare parts

ID	P-code	Model	Type	Accessory	Voltage	Description
MODULE:Solenoid valves components						
19700	12023		24	sc9		Hose holder
19705	3002030		24	sc9		Solenoid valve
19710	12008		24	sc9		Connection T
19715	12005		24	sc9		Hose holder
19720	12032		24	sc9		Reduction nipples
19725	13309		24	sc9		Gasket 14x10x1.5
19730	12002		24	sc9		Plug
19735	12012		24	sc9		Elbow
19740	2000244		24	sc9		Pressure reduction gauge
19745	2000364		24	sc9		Pressure reduction valve
19750	2000121		24	sc9		Filter
19755	13326		24	sc9		Gasket 38x27x2
19760	12025		24	sc9		Nipples
19765	12033		24	sc9		Nipples
19770	3009439		24	sc9		Solenoid valve support
19775	3002143		24	sc9		Elbow distributor
19780	10200208		24	sc9		Nipples
19785	3002145		24	sc9		Reduction nipples
19790	12027		24	sc9		Nipples
19795	3002140		24	sc9		Tap
19800	3002141		24	sc9		Elbow



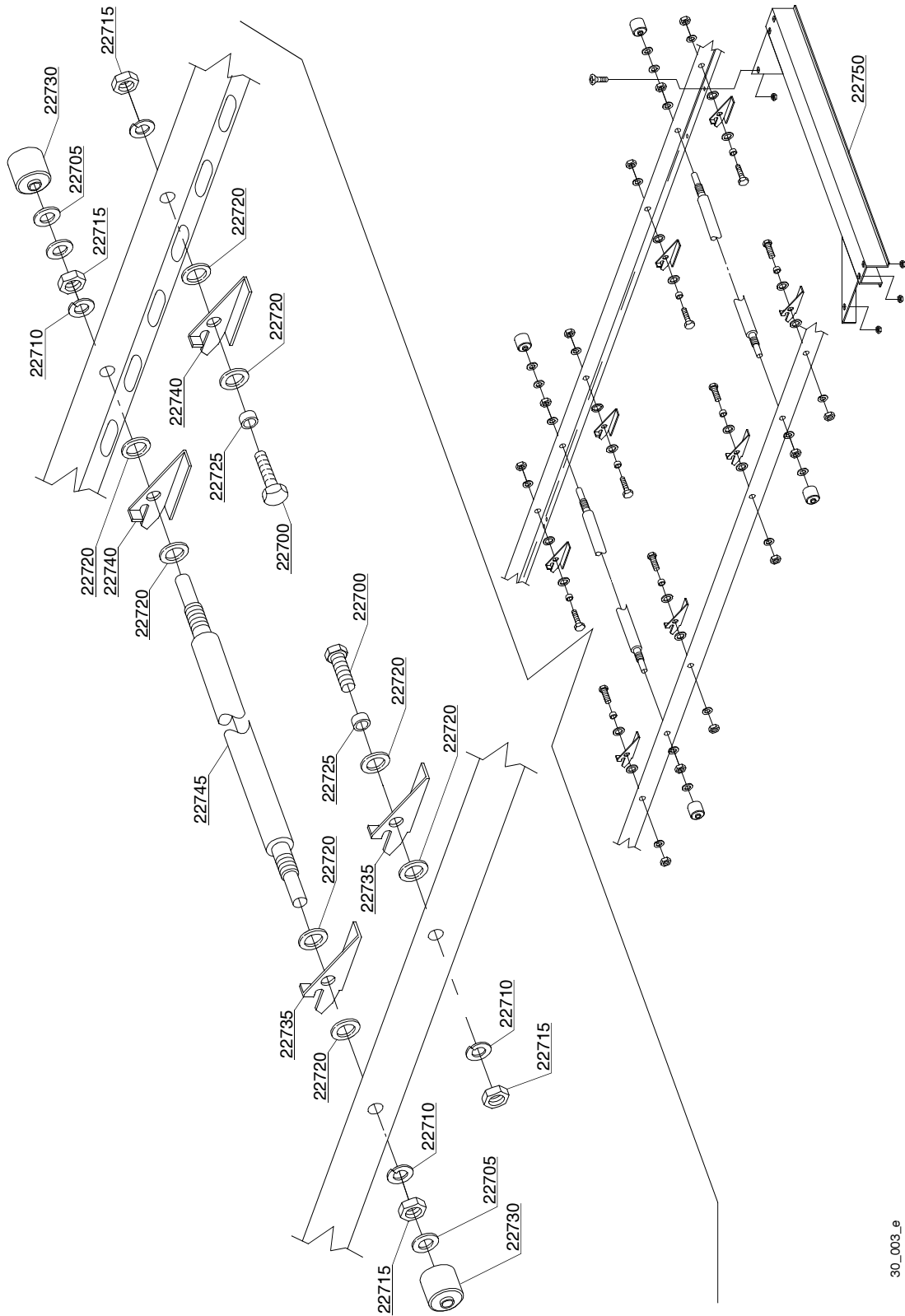
29_014_e



29_016_e

Spare parts

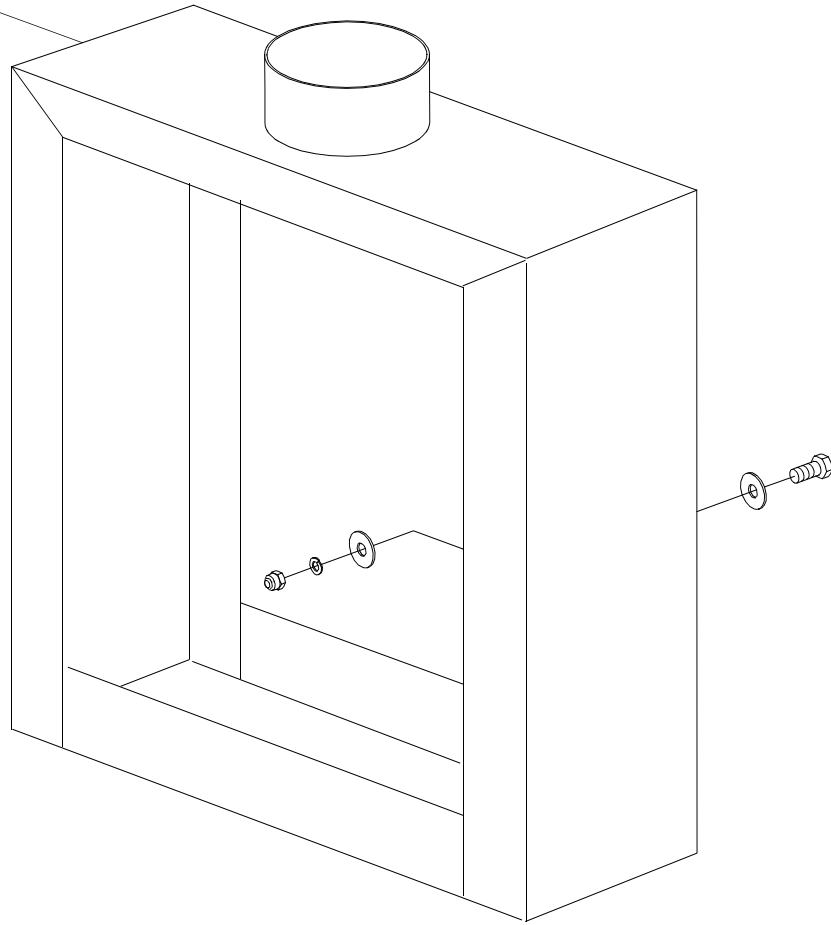
ID	P-code	Model	Type	Accessory	Voltage	Description
MODULE:Detergent economizer system						
23700	12023		24	des		Hose holder
23705	3002030		24	des		Solenoid valve
23710	12027		24	des		Nipples
23715	3002140		24	des		Tap
23720	3004165		24	des		Filter
23725	3009649		24	des		Solenoid valve support
23730	12028		24	des		Connection T



Spare parts

ID	P-code	Model	Type	Accessory	Voltage	Description
MODULE:Conveyor parts						
22700	11109		24			Screw
22705	11185		24			Washer
22710	11609		24			Split washer
22715	11719		24			Nut
22720	3003024		24			Washer
22725	3003025		24			Bush
22730	3003026		24			Bush
22735	3003100		24			Clip right
22740	3003101		24			Clip left
22745	3003010		24			Axis
22750	3009107		24			Guide

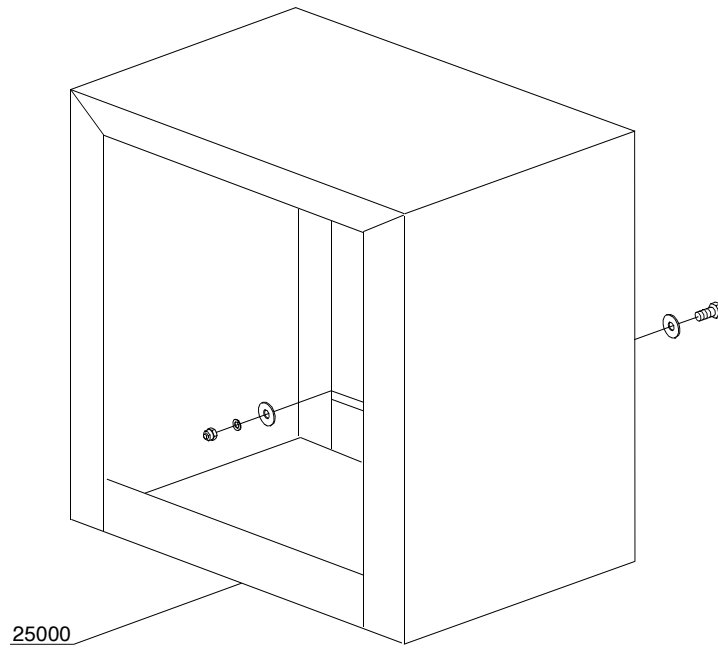
22800



32_001_e

Spare parts

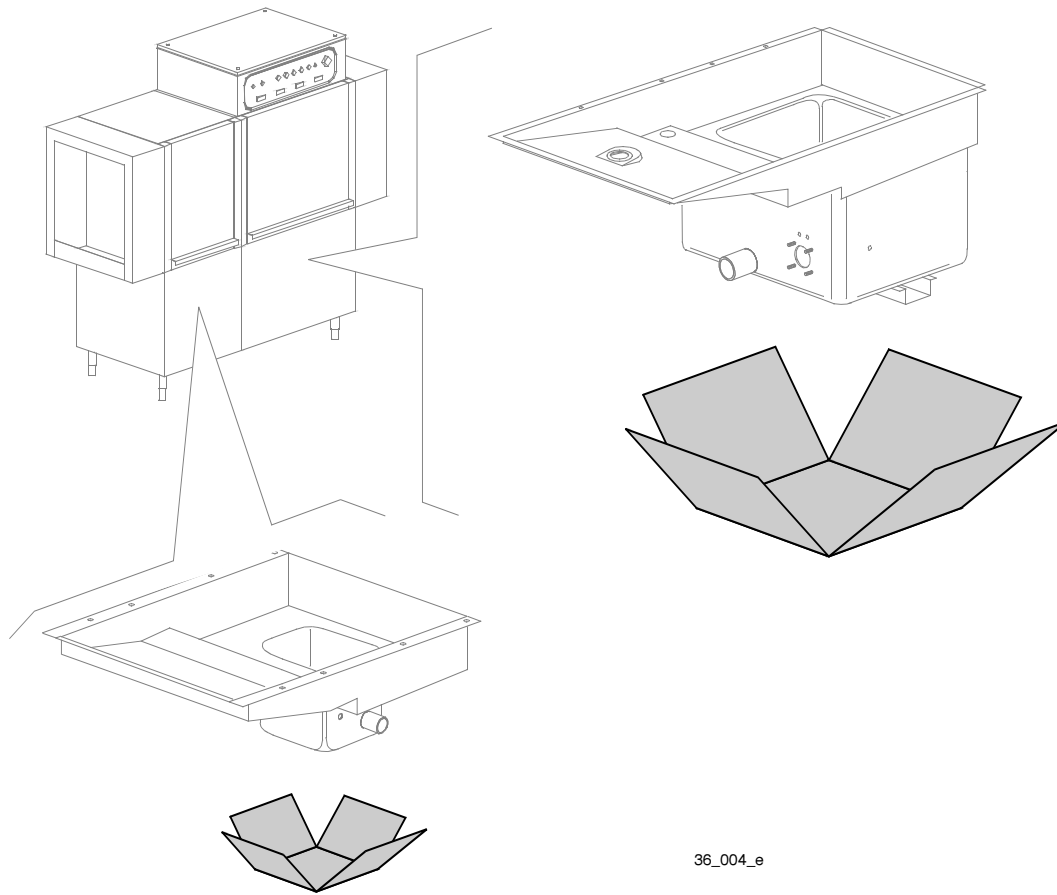
ID	P-code	Model	Type	Accessory	Voltage	Description
MODULE: Splash zone with cilinder - LC94						
22800	999910065		24	szc9		Splash zone with cilinder LC94



33_001_e

Spare parts

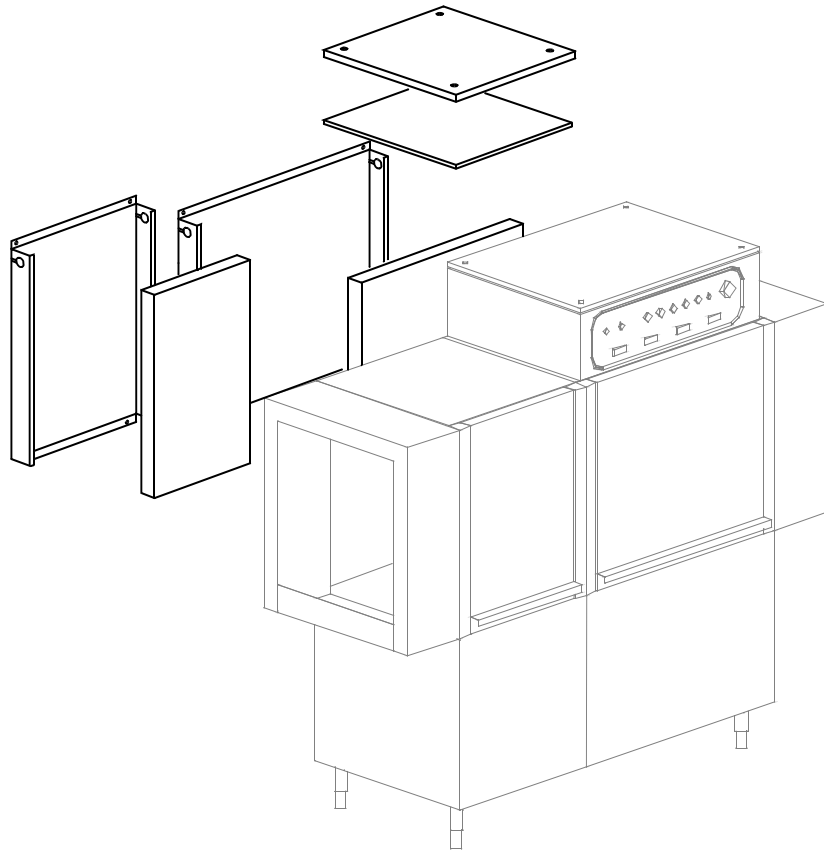
ID	P-code	Model	Type	Accessory	Voltage	Description
MODULE: Splash zone - L500						
25000	999910061		24	hr,lpw		Splash zone



36_004_e

Spare parts

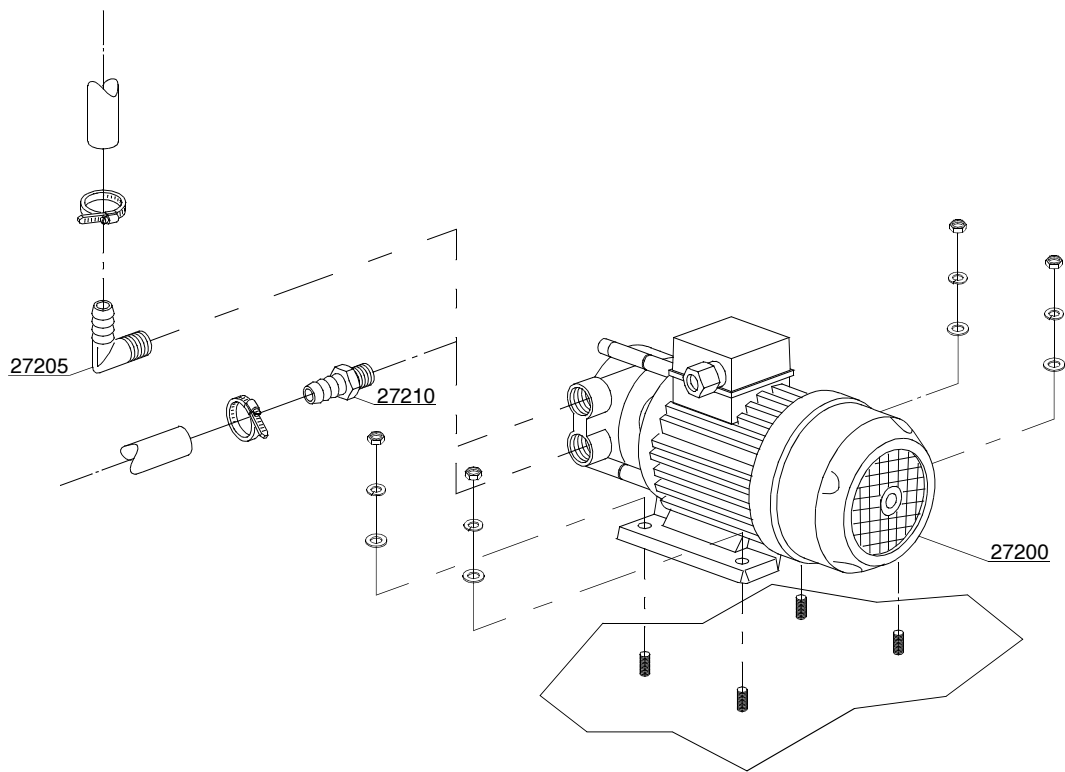
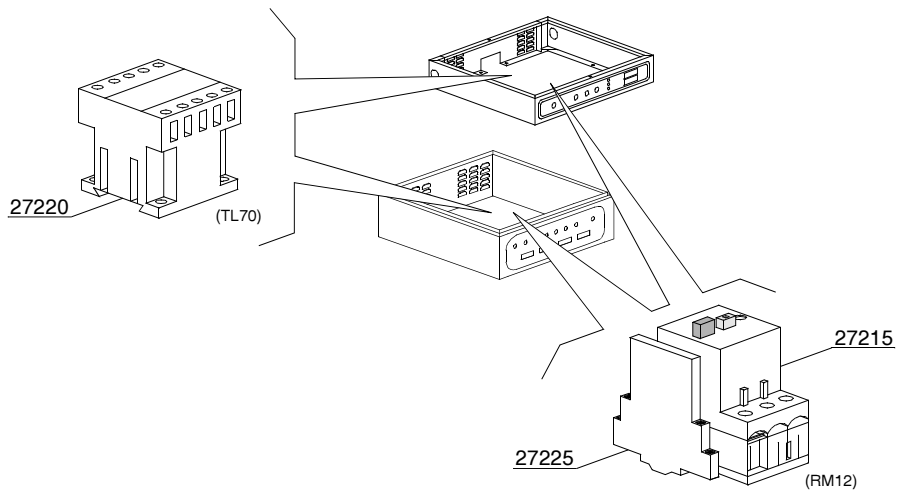
ID	P-code	Model	Type	Accessory	Voltage	Description
MODULE:Tanks insulation						
	999910208		24	ti		Tanks insulation
N.B.: kit suppliable only together with the machine, not after						



37_004_e

Spare parts

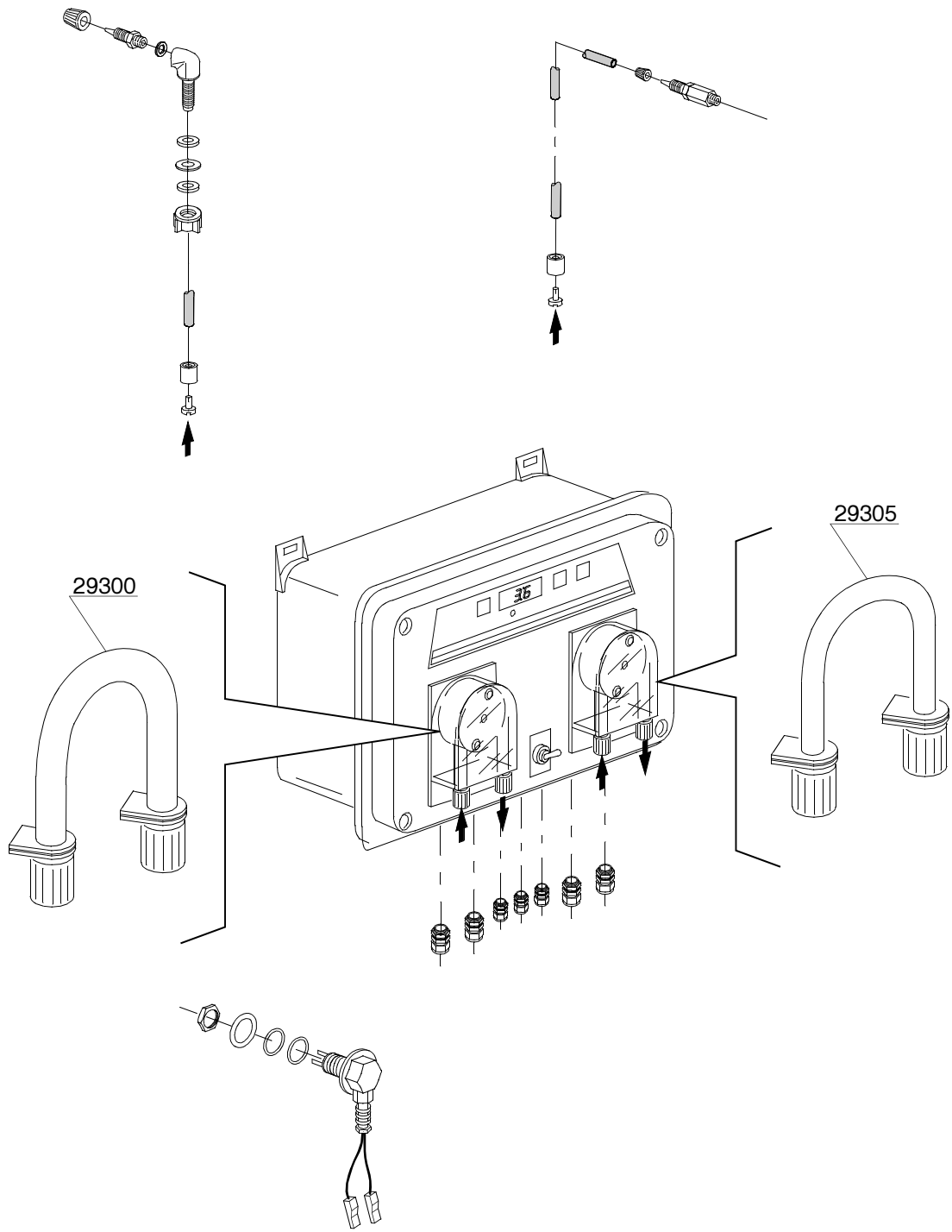
ID	P-code	Model	Type	Accessory	Voltage	Description
MODULE:Double skin						
	999910201		24	ds		Double skin assembly
N.B.: kit suppliable only togeter with the machine, not after						



38_001_e

Spare parts

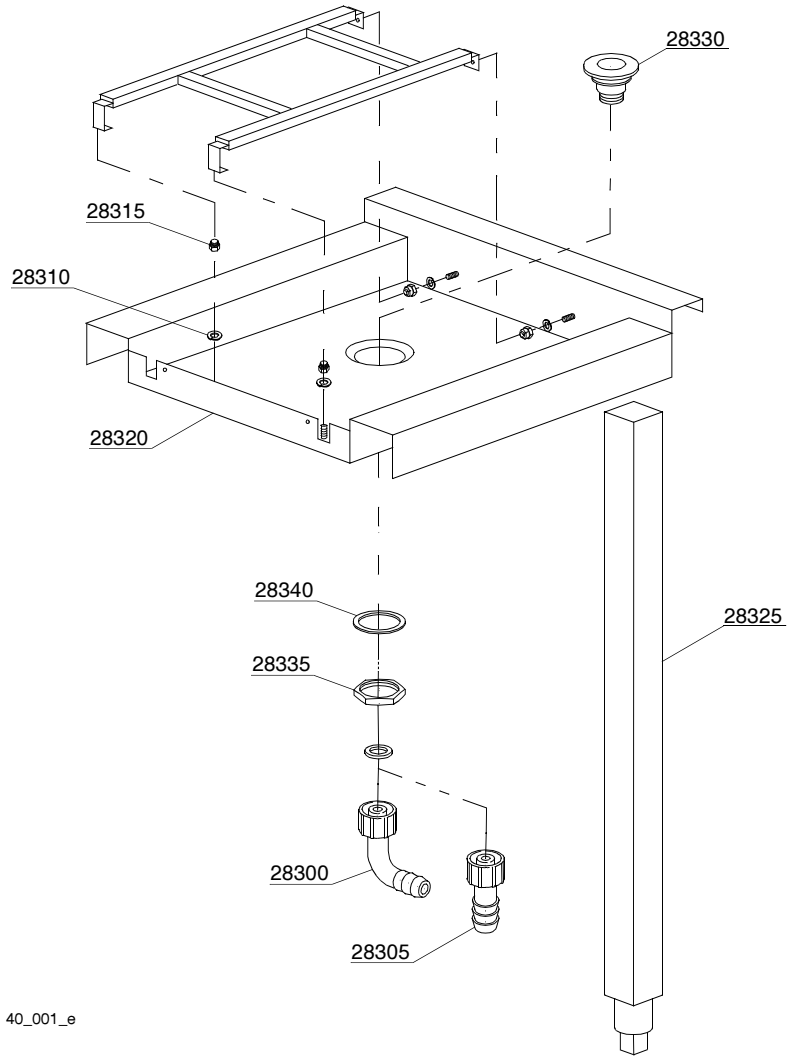
ID	P-code	Model	Type	Accessory	Voltage	Description
MODULE:Booster pump						
27200	15100		24	bp		Booster pump
27205	12030		24	bp		Elbow pipe fitting
27210	10221311		24	bp		Pipe fitting
27215	2000394		24	bp		Motorprotector 2,5-4A
27220	2000370		24	bp		Contactora MC9
27225	3006080		24	bp		Auxiliary contact LMS25



39_001_e

Spare parts

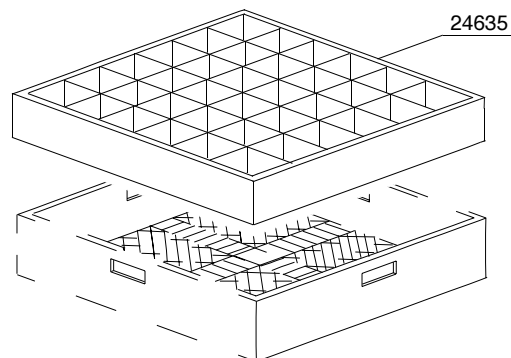
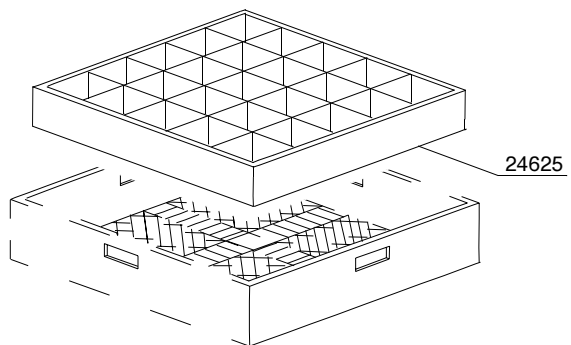
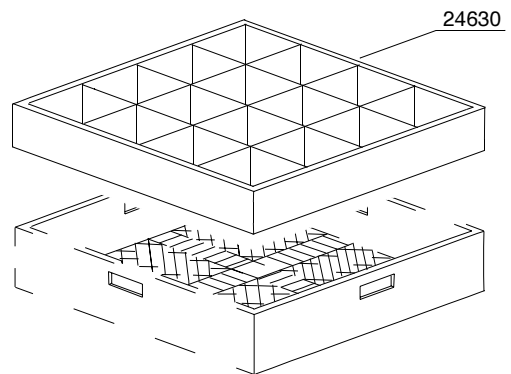
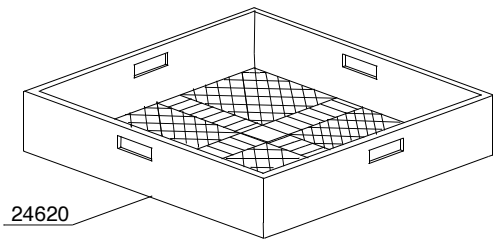
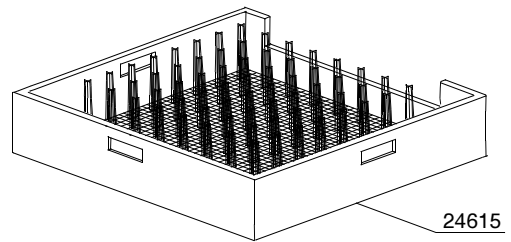
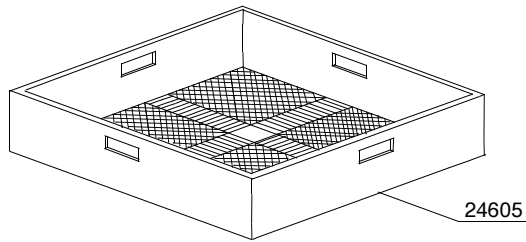
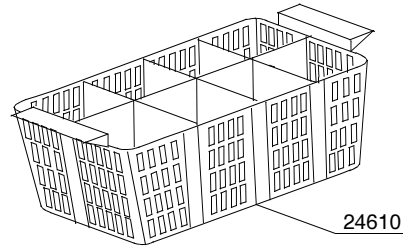
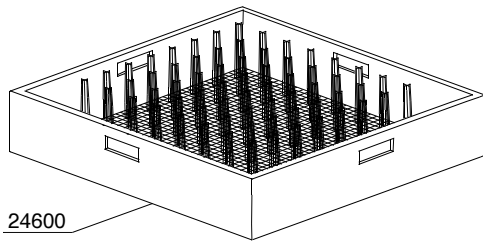
ID	P-code	Model	Type	Accessory	Voltage	Description
MODULE:Dispensers SDN-3						
	15181		24	sdn3		Dispensers assembly SDN-3
29300	15185		24	sdn3		Pipe fitting for detergent dispenser
29305	15186		24	sdn3		Pipe fitting for rinse dispenser



40_001_e

Spare parts

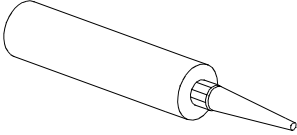
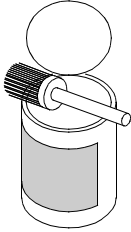
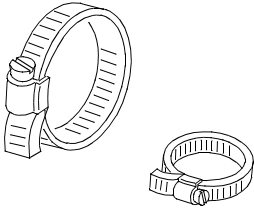
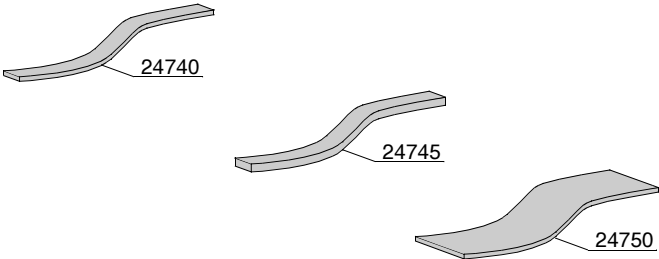
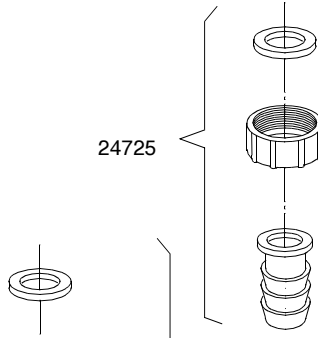
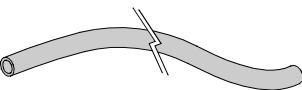
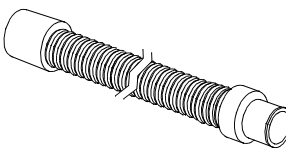
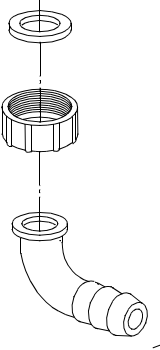
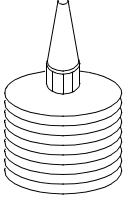
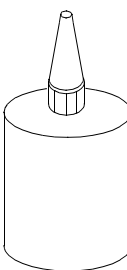
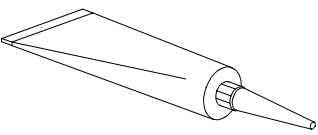
ID	P-code	Model	Type	Accessory	Voltage	Description
MODULE:Angle loading table 90° - LC 98						
28300	15613		24	98		"1"" 1/4x30 nylon elbow"
28305	15613/A		24	98		Fitting exauster
28310	3003024		24	98		Washer
28315	3003025		24	98		Bush
28320	3009250		24	98		Platform
28325	3009608		24	98		Leg assembly
28330	10200113		24	98		Floor drain
28335	10200114		24	98		Floor drain nut
28340	10200173		24	98		Gasket 75x58x2



00_001_e

Spare parts

ID	P-code	Model	Type	Accessory	Voltage	Description
MODULE:Baskets						
24600	C40		24			Place conveyor basket
24605	C41		24			Tight mesh conveyor basket for cutlery
24610	C47		24			Small 8 place cutlery basket
24615	C43		24			535mm tray conveyor basket
24620	C44		24			Mod.07 universal conveyor basket
24625	C112		24			5x5 vertical glass conveyor basket
24630	C113		24			4x4 vertical glass conveyor basket
24635	C114		24			6x6 vertical glass conveyor basket

 <p>24700</p>	 <p>24705</p>	 <p>24760</p>
 <p>24740</p> <p>24745</p> <p>24750</p>		 <p>24725</p>
 <p>24755</p>	 <p>24735</p>	 <p>24730</p>
 <p>24765</p>	 <p>24770</p>	 <p>24775</p>

Spare parts

ID	P-code	Model	Type	Accessory	Voltage	Description
MODULE:Accessory						
24700	---		24			Silicone UNI 9610 - UNI 9611
24705	---		24			Grease for higt temperatures CCIAA 629224
24705	---		24			Grease for food - Loctite 8104 Cat. N° 26560
24725	15613/A		24			Fitting exauster
24730	15613		24			"1"" 1/4x30 nylon elbow"
24735	10727		24			Exauster pipe Ø 24mm
24735	10200112		24			Exauster pipe Ø 32mm
24740	15750		24			20x2 self-stick mousse
24745	15751		24			20x4 self-stick mousse
24750	15752		24			60x2 self-stick mousse
24755	2907350		24			Flexible pipe EPDM Ø12
24755	2907352		24			Flexible pipe EPDM Ø12 - WRAS
24755	2907353		24			Flexible pipe EPDM Ø12
24760	2902050		24			Steel hose clamp 15/24
24760	11806		24			Steel hose clamp 25/40
24760	11810		24			Steel hose clamp 40/60
24760	11824		24			Steel hose clamp 50/70
24760	2902491		24			Steel hose clamp 60/80
24765	---		24			-50°C +150°C threads dope
24770	---		24			Loctite 542 Cat.N° 54246 - DIN-DVGW 86.02 e 125
24770	---		24			Loctite 243 Cat.N° 18937 - 19386
24775	---		24			Loctite 511 Cat.N° 24003 - DIN-DVGW 86.01 e 125
24775	---		24			Loctite 577 Cat.N° 25392