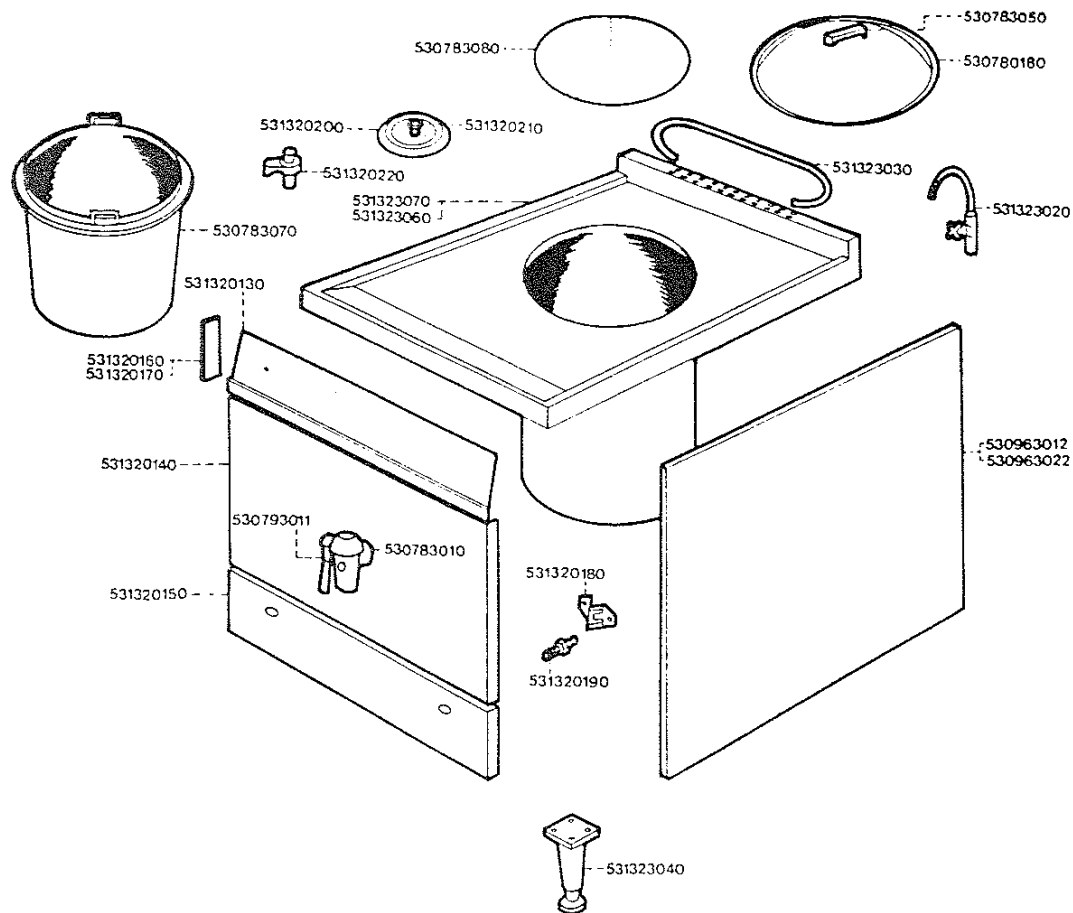
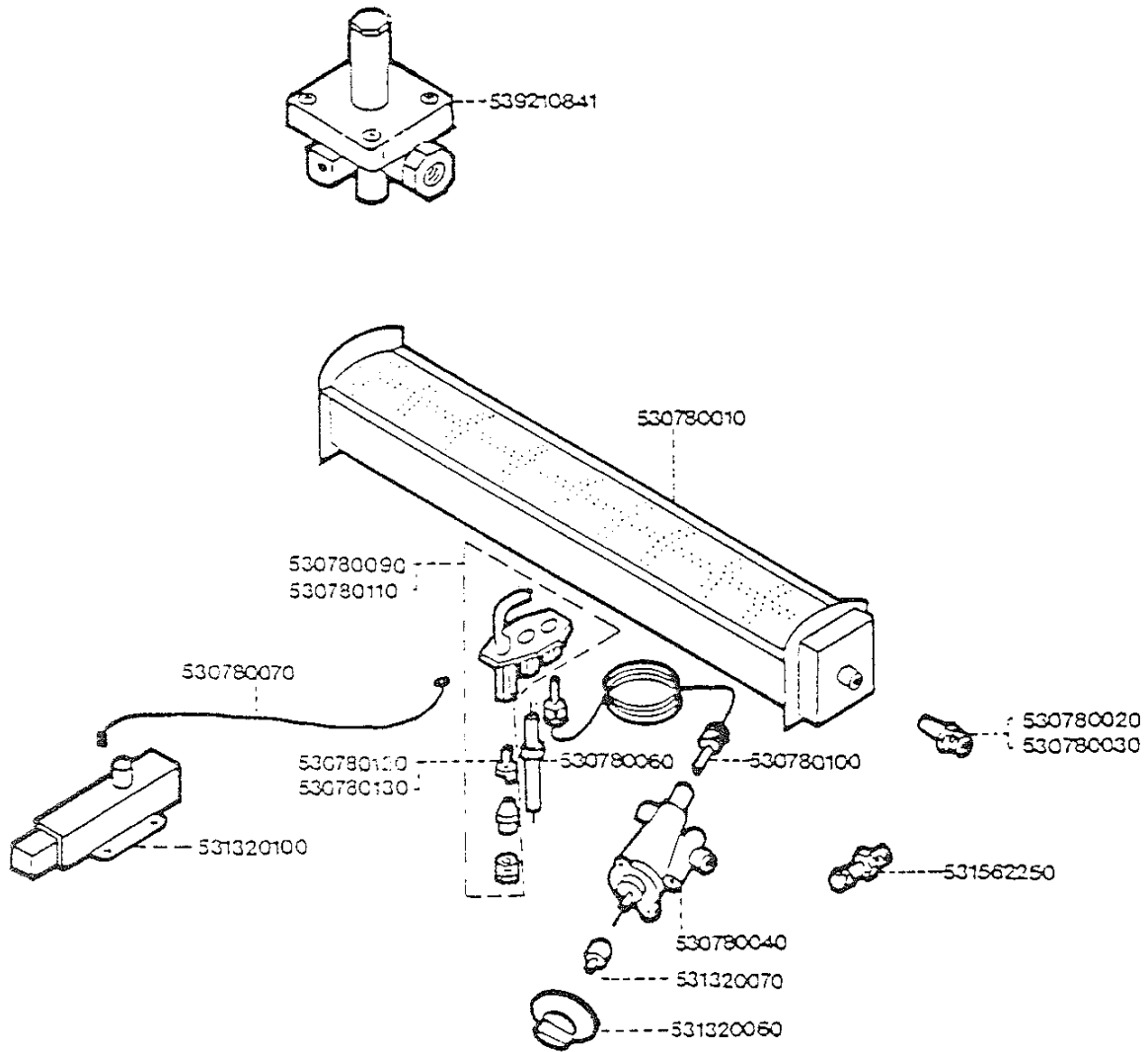


G3080 45 LITRES BOILING PAN

Fitments



Code	No.	Description
H07	530780180	Pan Lid c/w Handle
K09	530783010	Draw Off Cock
C07	530783050	Pan Lid Handle Assembly
N07	530783070	Lift Out Inner Pan (Dual Purpose Only)
G10	530783080	Strainer
D07	530793011	Handle for Draw Off Cock
G05	530963012	Outer Side Panel - L.H.
G05	531963022	Outer Side Panel - R.H.
F07	531320130	Control Panel
F04	531320140	Front Panel
F12	531320150	Bottom Front Panel
D02	531320160	Side Trim - L.H.
D02	531320170	Side Trim - R.H.
B04	531320180	Latch
B04	531320190	Latch Pin
D01	531320200	Filler Cup Lid c/w Knob (Dual Purpose Only)
B04	531320210	Filler Cup Lid Knob (Dual Purpose Only)
B12	531320220	Pan Clamp (Dual Purpose Only)
J02	531323020	Swivel Cap
E11	531323030	Lid Holder
B09	531323040	Adjustable Leg
P01	531323060	Pan and Hob Assembly (Dual Purpose)
P07	531323070	Pan and Hob Assembly (Single Purpose)



Code	No.	Description
F03	530780010	Burner
B01	530780020	Burner Injector - Nat. Gas
B01	530780030	Burner Injector - L.P. Gas
H11	530780040	Control Valve
B03	530780060	Electrode
B03	530780070	Electrode Lead
D03	530780090	Pilot Assembly - Nat. Gas
D02	530780100	Thermocouple
D03	530780110	Pilot Assembly - L.P. Gas
B01	530780120	Pilot Jet - Nat. Gas
B01	530780130	Pilot Jet - L.P. Gas
B06	531320060	Control Knob
B02	531320070	Spindle Adaptor
D02	531320100	Spark Igniter
B01	531562250	Test Nipple
E02	539210841	Governor