



**CB 246**

# LIST OF THE EXPLODED VIEWS



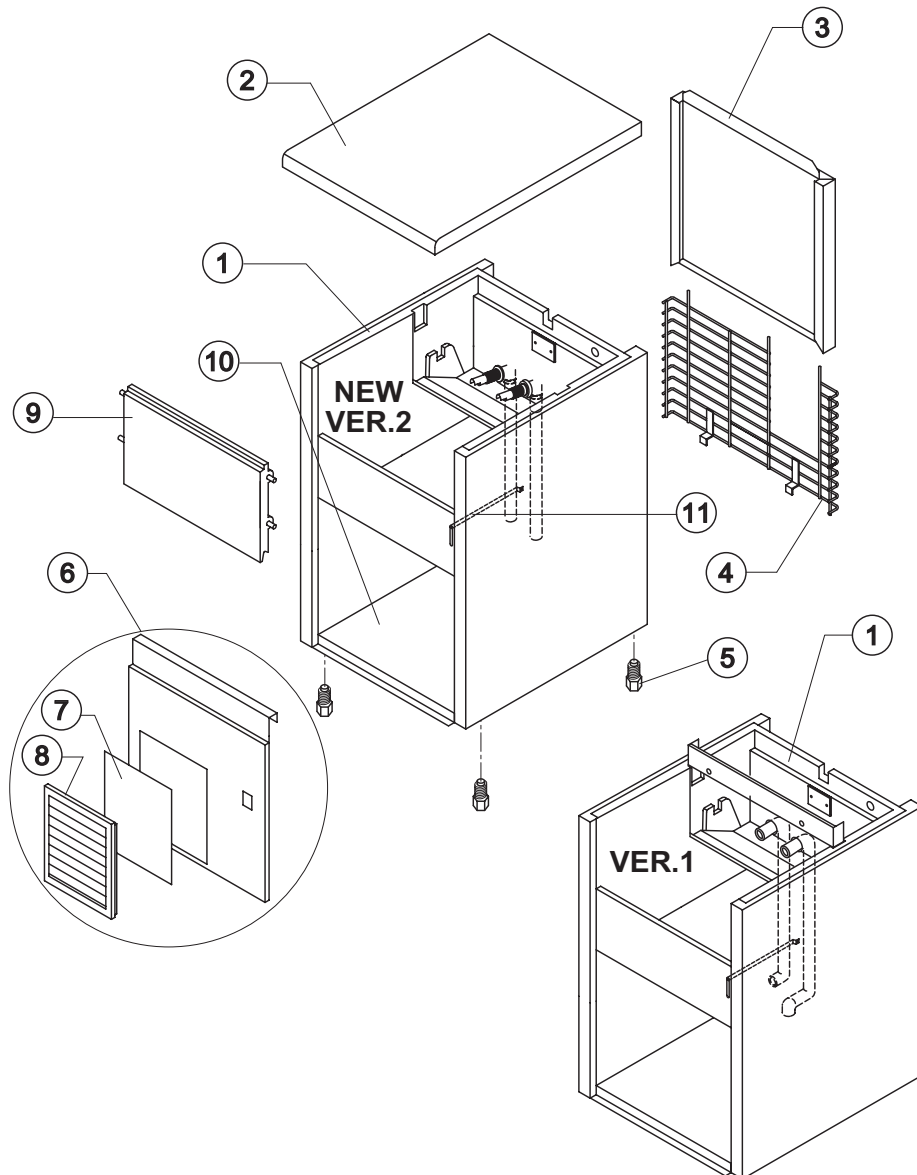
*SHELL ASSY*

*COOLING SYSTEM*

*HYDRAULIC CIRCUIT*

*ELECTRIC PARTS*

Rev. 6 - 24/07/2007



Rev. 6 - 24/07/2007

| Ref. | Spare Description     | Code            |
|------|-----------------------|-----------------|
| 1    | Foamed Cabinet Assy   | See Table       |
| 2    | Top Assembly          | C22693          |
| 3    | Rear Panel Assembly   | C21180          |
| 4    | Rear Grid             | D12002          |
| 5    | Foot                  | 10017           |
| 6    | Front Grid Panel      | Current Version |
| 6    | Front Panel           | Till s/n 28877  |
| 7    | Filtering Panel       | 18106           |
| 8    | Frame + Grid & Filter | C10205          |
| 9    | Door Assembly         | C10303          |
| 10   | Base Plate            | 21001           |
| 11   | Bulb-holder Pipe      | 20520           |

Ref. 1 - Foamed Cabinet Assy  
Version 1

| Kind of Cube     | Code      |
|------------------|-----------|
| 18 g. (Standard) | C11002/E  |
| 33 g.            | C11002/E  |
| 13 g.            | C11002/ED |

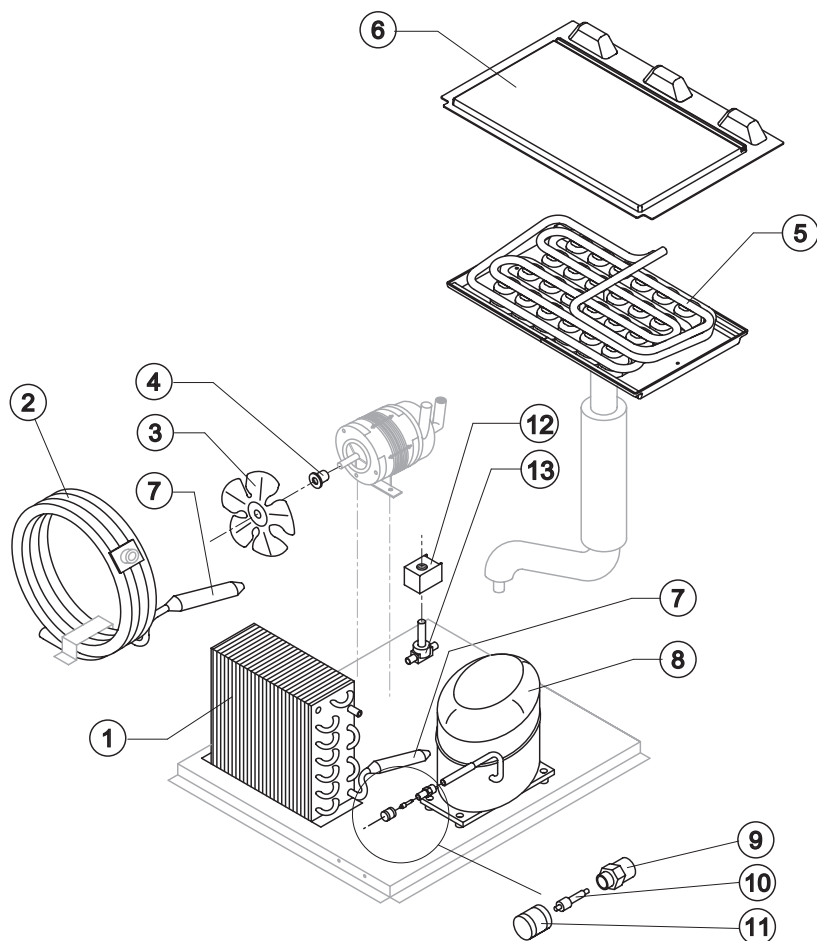
Ref. 1 - Foamed Cabinet Assy  
Version 2

| Condensation | Code     |
|--------------|----------|
| Air          | RC11002A |
| Water        | RC11002W |



# CB 246

# COOLING SYSTEM



## Common Parts

| Ref. | Spare Description          | Code                   |
|------|----------------------------|------------------------|
| 3    | Sucking Fan                | 10213                  |
| 4    | Fan Fixing Hub             | 10014                  |
| 5    | Evaporator                 | See Table -            |
| 6    | Evaporator Cover Panel     | Current Version 10451  |
| 6    | Evaporator Cover Panel     | Till s/n. 225081 10008 |
| 7    | Molecular Drier            | 14009                  |
| 8    | Compressor                 | See Table -            |
| 9    | Vacuum-Charge Valve Body   | 14007                  |
| 10   | Vacuum-Charge Valve Device | 14005                  |
| 11   | Vacuum-Charge Valve Plug   | 14006                  |
| 12   | Hot Gas Valve Coil         | See Table -            |
| 13   | Hot Gas Valve Body         | 20410                  |

## Parts For Air-Cooled Version Only

| Ref. | Spare Description | Code                  |
|------|-------------------|-----------------------|
| 1    | Air Condenser     | Current Version 20534 |
| 1    | Air Condenser     | Till s/n 104676 20069 |

## Parts For Water-Cooled Version Only

| Ref. | Spare Description | Code                  |
|------|-------------------|-----------------------|
| 2    | Water Condenser   | Current Version 14057 |
| 2    | Water Condenser   | Till s/n 28525 14002  |

### Ref. 5 - Evaporator

| Kind of Cube    | Code   |
|-----------------|--------|
| 18g. (Standard) | D10045 |
| 33 g.           | D10320 |
| 13 g.           | D10416 |

### Ref. 8 - Compressor

| Tension        | Code  |
|----------------|-------|
| 220/240V 50 Hz | 23436 |
| 220/230V 60 Hz | 23494 |
| 110/115V 60 Hz | 23446 |

### Ref. 12 - Hot Gas Valve Coil

| Tension        | Code  |
|----------------|-------|
| 220/240V 50 Hz | 23091 |
| 220/230V 60 Hz | 23091 |
| 110/115V 60 Hz | 23256 |

Rev. 6 - 24/07/2007



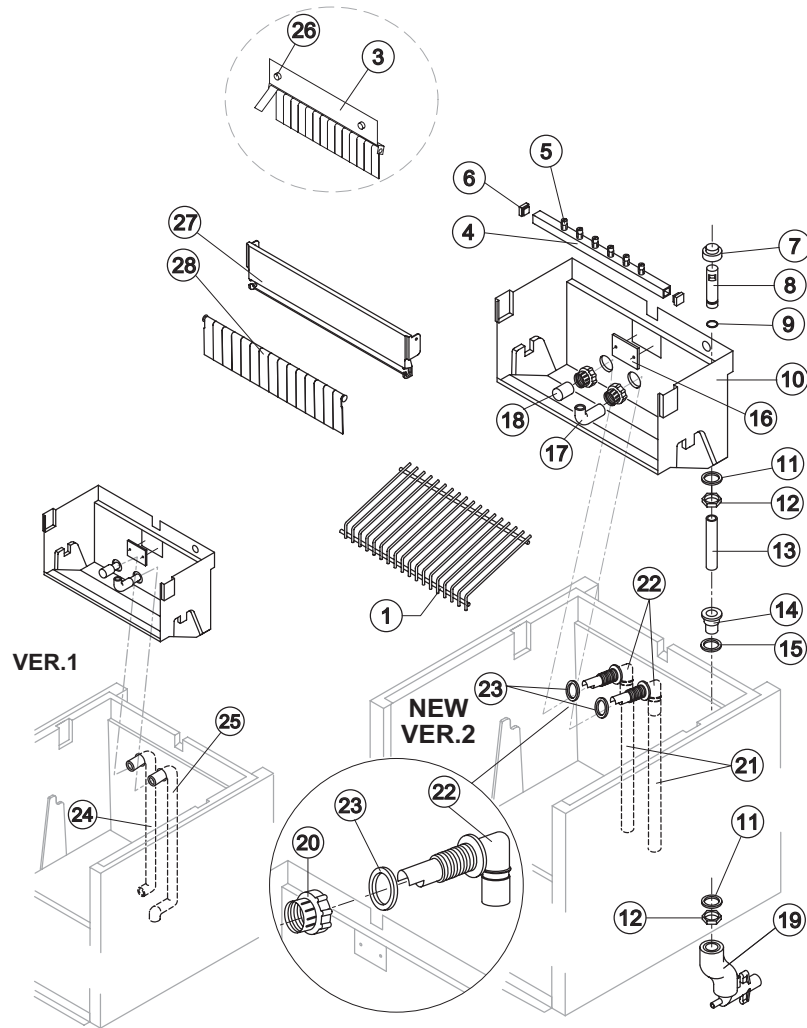
# CB 246

# HYDRAULIC CIRCUIT

## Common Parts

| Ref. | Spare Description                          | Code                    |
|------|--|-------------------------|
| 1    | Ice Cubes Slide                            | See Table -             |
| 3    | Panel with Flags                           | Till s/n. 379503 C22034 |
| 4    | Sprayers Bar Assembly                      | See Table -             |
| 5    | Sprayer                                    | D20002                  |
| 6    | Sprayer Bar Plug                           | 10012                   |
| 7    | Overflow Cap                               | 10305                   |
| 8    | Overflow Pipe                              | 10133                   |
| 9    | OR Gasket for Overflow Pipe                | 20233                   |
| 10   | Inner Basin                                | 10252                   |
| 11   | Semirigid Polyethylene Gasket              | 13007                   |
| 12   | Bin Discharge Nut                          | 10096                   |
| 13   | Overflow Pipe                              | Current Version 13105   |
| 13   | Overflow Pipe                              | Till s/n. 65042 13001   |
| 14   | Water Outlet Nipple                        | 10472                   |
| 15   | Silicone Gasket                            | 13006                   |
| 16   | Slide Keep Plate                           | 10009                   |
| 17   | Sprayers Feeding Pipe                      | 13005                   |
| 18   | Pump Suction Filter                        | 20005                   |
| 20   | Fittings Locking Ring                      | Version 2 10405         |
| 21   | Pump Suction/Delivery Pipe                 | Version 2 13136         |
| 22   | Fitting of the Pump Suction/Delivery Pipes | Version 2 10404         |
| 23   | Gasket for Pump Suction/Delivery Pipes     | Version 2 13143         |
| 24   | Pump Suction Pipe                          | Version 1 13003         |
| 25   | Pump Delivery Pipe                         | Version 1 13002         |
| 26   | Fixing Screw                               | Till s/n. 379503 20009  |
| 27   | Flags ABS Support                          | Current Version 10529   |
| 28   | Rod with Flags                             | Current Version C10533  |

Rev. 6 - 24/07/2007



Ref. 1 - Ices Cube Slide

| Kind of Cube     | Code   |
|------------------|--------|
| 18 g. (Standard) | D12001 |
| 33 g.            | D12066 |
| 13 g.            | D12046 |

Ref. 4 - Sprayers Bar Ass.

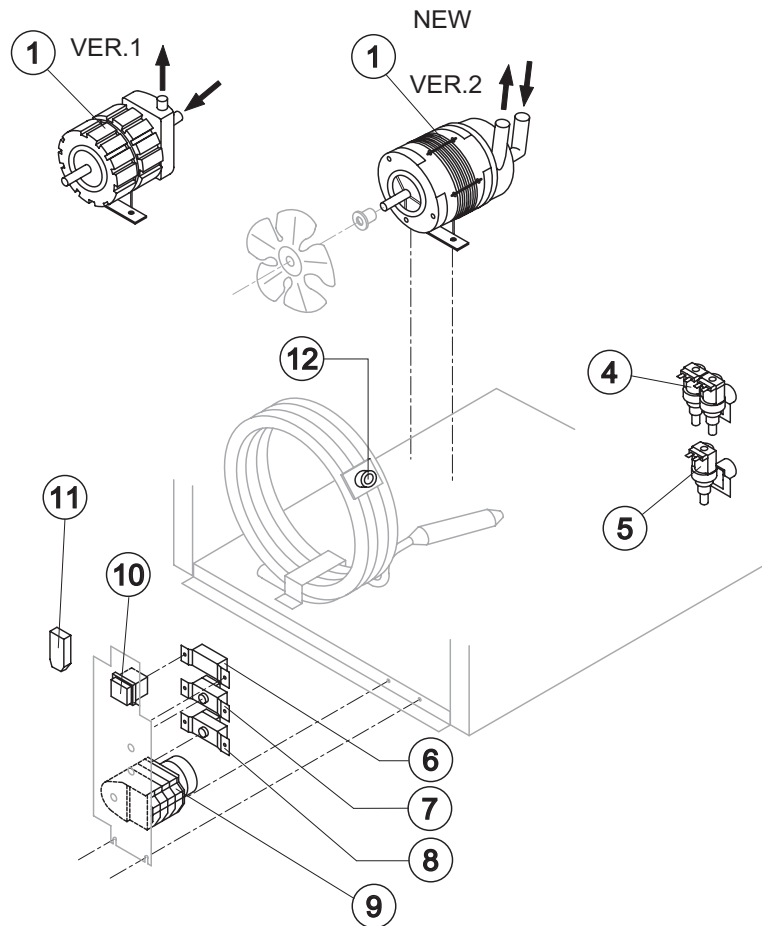
| Kind of Cube     | Code   |
|------------------|--------|
| 18 g. (Standard) | C20028 |
| 33 g.            | C20530 |
| 13 g.            | C20289 |

## Parts for Air Cooled Version Only

| Ref. | Spare Description   | Code   |
|------|---------------------|--------|
| 19   | Discharges Manifold | C10006 |

## Parts for Water Cooled Version Only

| Ref. | Spare Description   | Code   |
|------|---------------------|--------|
| 19   | Discharges Manifold | C26452 |



### Common Parts

| Ref. | Spare Description           | Code        |
|------|-----------------------------|-------------|
| 1    | Pump                        | See Table - |
| 7    | Bin Thermostat              | R23005      |
| 8    | Evaporator Thermostat       | R23591      |
| 9    | Timer                       | See Table - |
| 10   | Green Light Switch (On-Off) | 23327       |

### Parts for Air Cooled Version Only

| Ref. | Spare Description        | Code        |
|------|--------------------------|-------------|
| 5    | 1 Way- Water Inlet Valve | See Table - |

### Parts for Water Cooled Version Only

| Ref. | Spare Description              | Code                    |
|------|--------------------------------|-------------------------|
| 4    | 2 Ways Water Inlet Valve       | See Table -             |
| 6    | Condenser Pressure Switch      | 23175                   |
| 11   | Anti Radio Interference Filter | Only 220 V 50 Hz C23457 |
| 12   | Safety Thermostat              | C23114                  |

### Ref. 1 - Pump

| Tension        | Version 1 | Version 2 |
|----------------|-----------|-----------|
| 220/240V 50 Hz | 23002     | 23377     |
| 220/230V 60 Hz | 23002     | 23377     |
| 110/115V 60 Hz | 23264     | 23663     |

### Ref. 4 - 2 Ways- Water Inlet Valve

| Tension        | Code  |
|----------------|-------|
| 220/240V 50 Hz | 23542 |
| 220/230V 60 Hz | 23542 |
| 110/115V 60 Hz | 23592 |

### Ref. 5 - 1 Way- Water Inlet Valve

| Tension        | Code  |
|----------------|-------|
| 220/240V 50 Hz | 23497 |
| 220/230V 60 Hz | 23497 |
| 110/115V 60 Hz | 23499 |

### Ref. 9 - Timer

| Tension        | 18 g Cube | 33 g Cube | 13 g Cube |
|----------------|-----------|-----------|-----------|
| 220/240V 50 Hz | 23222     | 23248     | 23247     |
| 220/230V 60 Hz | 23248     | 23780     | 23247     |
| 110/115V 60 Hz | 23259     | 23786     | 23258     |