

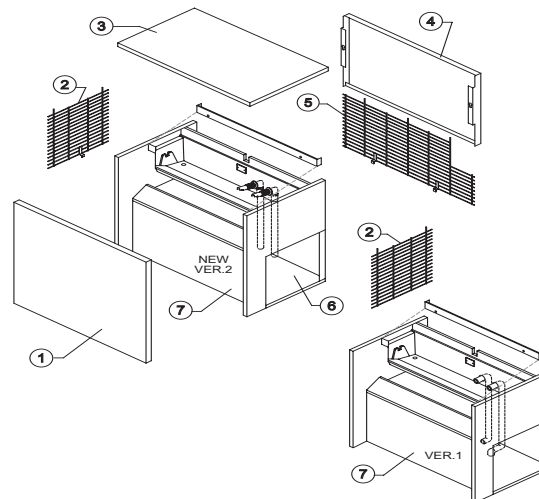


C 80

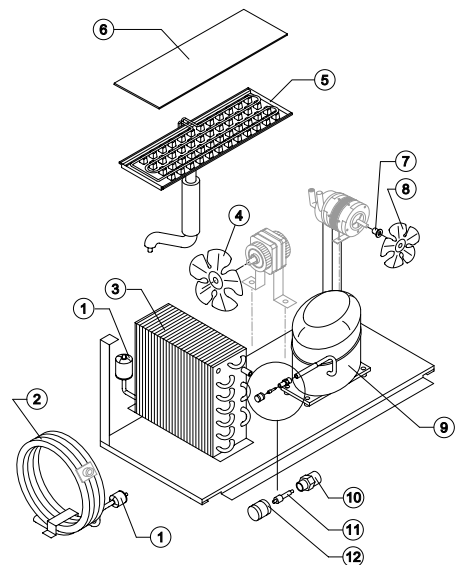
LIST OF THE EXPLODED VIEWS



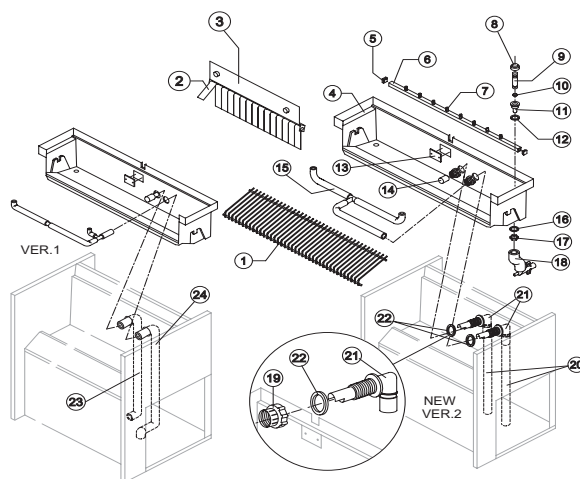
SHELL ASSY



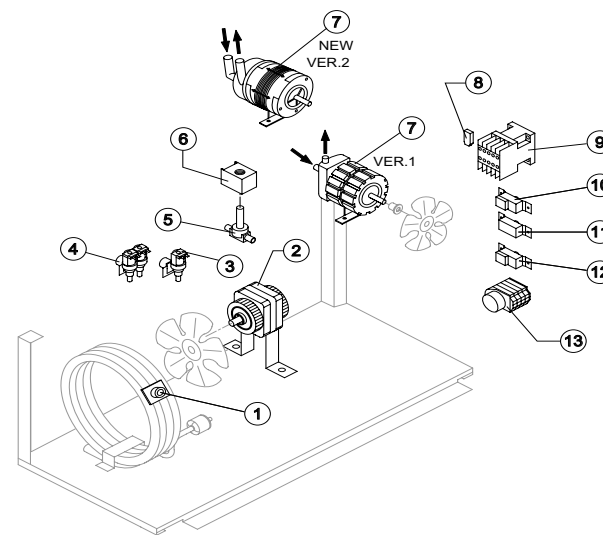
COOLING SYSTEM



HYDRAULIC CIRCUIT



ELECTRIC PARTS

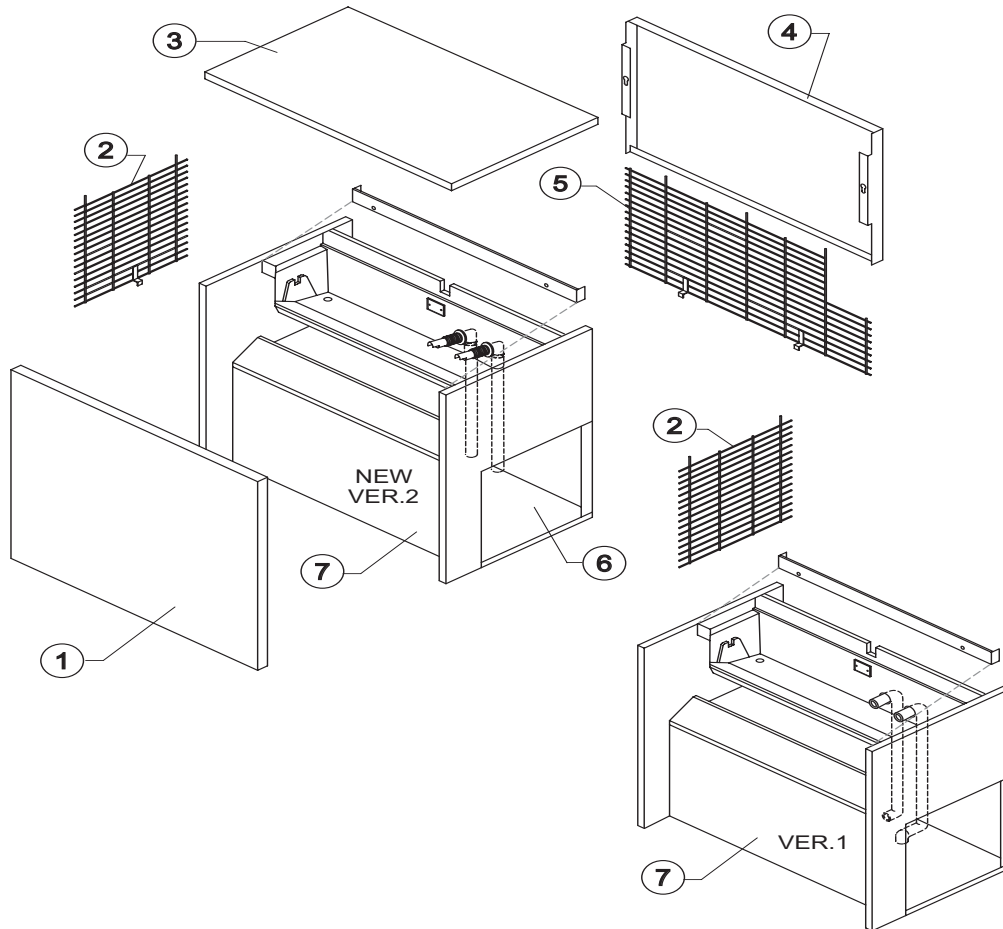


Rev. 3 - 2/7/2003



C 80

SHELL ASSY



Rev. 3 - 2/7/2003

Ref.	Spare Description	Code	
1	Front Panel Assembly	C22067B	
2	Lateral Grid	D12010	
3	Top Assembly	C22066	
4	Back Panel	22027	
5	Back Grid	Current Version	D12069
5	Back Grid	Till s/n. 132695	D12009
6	Base Plate	21022	
7	Foamed Cabinet Assy	See Table	-

Ref. 7 - Foamed Cabinet Assy

Code	Condensation	Note
C11005A	Air	Version 2
C11005W	Water	Version 2
C11005		Version 1



C 80

COOLING SYSTEM

Common Parts

Ref.	Spare Description	Code
1	Solid Core Drier	14089
5	Evaporator	See Table
6	Evaporator Cover	10032
7	Hub for the Fan Fixing	10014
8	Suction Fan	10213
9	Compressor	See Table
10	Vacuum-Charge Valve Body	14007
11	Vacuum-Charge Valve Device	14005
12	Vacuum-Charge Valve Plug	14006

Parts for Air-Cooled Version Only

Ref.	Spare Description	Code
3	Air Condenser	20030
4	Suction Fan	20031

Parts for Water-Cooled Version Only

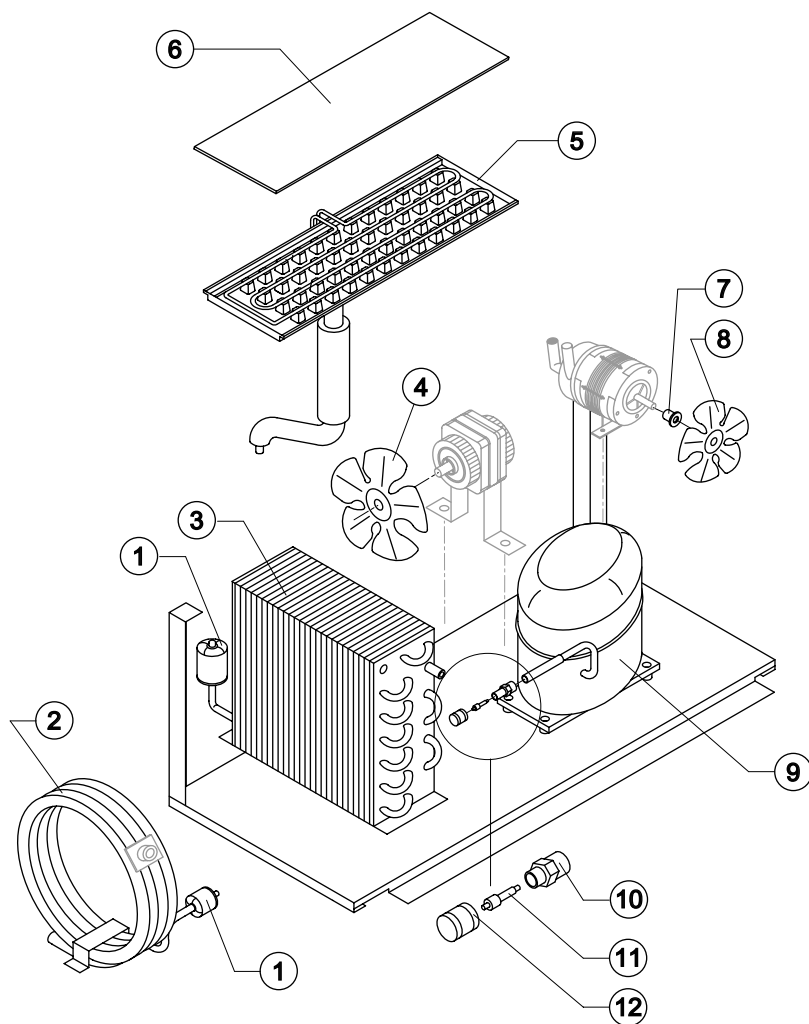
Ref.	Spare Description	Code
2	Water Condenser	14034
4	Suction Fan	10213

Ref. 5 - Evaporator

Kind of Cube	Code
18 g. (Standard)	D10048
33 g. (Big)	D10091
13 g. (Small)	D10419

Ref. 9 - Compressor

Tension	Note	Code
220/240V 50 Hz	Current Version	23503
220/240V 50 Hz	Till s/n. 55025	23444
220/230V 60 Hz	Current Version	23504
220/230V 60 Hz	Till s/n. 55025	23465
110/115V 60 Hz	Current Version	23553
110/115V 60 Hz	Till s/n. 55025	23554



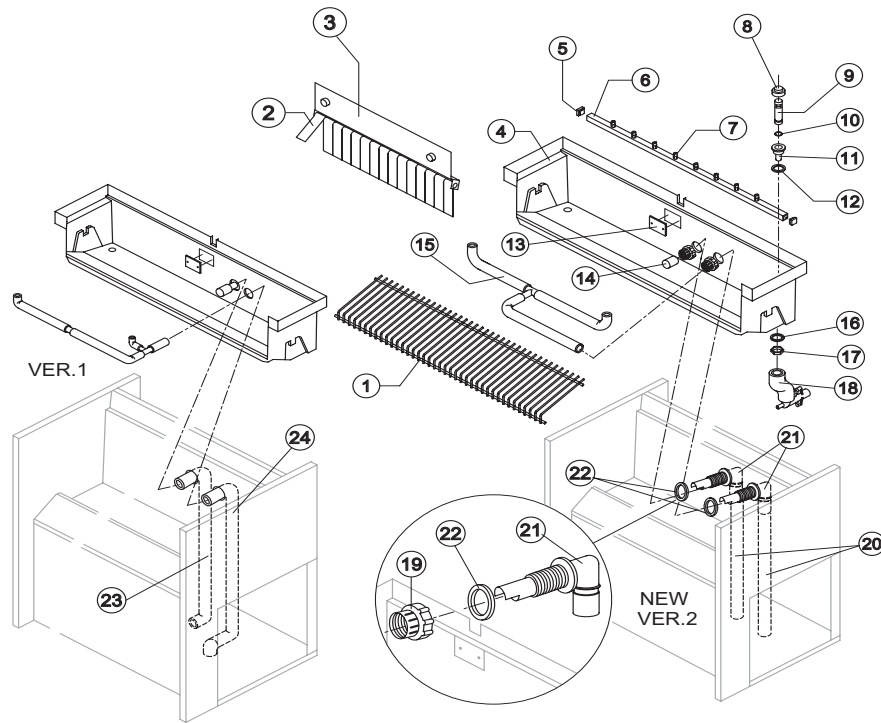
Ref. 5 - For ice makers made in version 1 (for "small size" ice cube only) ask, beside the Evaporator, also the Evaporator Support.

Rev. 3 - 2/7/2003



C 80

HYDRAULIC CIRCUIT



Common Parts

Ref.	Spare Description	Code
1	Ices Cube Slide	See Table -
2	Flag	10005
3	Flags Support Assy	C22060
4	Inner Basin	10028
5	Sprayers Bag Plug	10012
6	Sprayers Bar Assembly	See Table -
7	Sprayer	D20002
8	Overflow Cap	10305
9	Overflow Pipe	10133
10	OR Gasket for Overflow Pipe	20233
11	Plastic Nipple Water Outlet	10007
12	Silicone Gasket	13006
13	Slide Keep Plate	10009
14	Pump Suction Filter	20005
15	Sprayers Feeding Pipe Assy	C13101
16	Semirigid Polyethylene Gasket	13007
17	Bin Discharge Nut	10096
19	Fittings Locking Ring	Version 2 10405
20	Pump Suction/Delivery Pipe	Version 2 13136
21	Fitting of the Pump Suction/Delivery Pipes	Version 2 10404
22	Gasket for Suction Line/Pump Delivery	Version 2 13143
23	Pump Suction Pipe	Version 1 13003
24	Pump Delivery Pipe	Version 1 13002

Ref. 1 - Ices Cube Slide

Kind of Cube	Code
18 g. (Standard)	D12011
33 g. (Big)	D12032
13 g. (Small)	D12041

Ref. 6 - Sprayers Bar Ass.

Kind of Cube	Code
18 g. (Standard)	C20459
33 g. (Big)	C20460
13 g. (Small)	C20461

Parts for Air Cooled Version Only

Ref.	Spare Description	Code
18	Discharges Manifold	C10006

Parts for Water Cooled Version Only

Ref.	Spare Description	Code
18	Discharges Manifold	C26452

Rev. 3 - 2/7/2003



C 80

ELECTRIC PARTS

Common Parts

Ref.	Spare Description	Code
2	Fan Motor	See Table -
3	Inlet Watervalue 1 Way	See Table -
5	Hot Gas Valve Body	20410
6	Hot Gas Coil	See Table -
7	Pump	See Table -
9	Contactur	Only 110V 60 Hz 23595
10	Condenser Pressure Switch	23175
11	Bin Thermostat	23421
12	Evaporator Thermostat	23591
13	Timer	See Table -

Parts for Air-Cooled Version Only

Ref.	Spare Description	Code
8	Anti Radio Interference Filter	Only 220V 50 Hz 23459

Parts for Water-Cooled Version Only

Ref.	Spare Description	Code
1	Safety Thermostat	C23114
4	Inlet Watervalue 2 Ways (Till s/n. 132695)	See Table -
8	Anti Radio Interference Filter	Only 220V 50 Hz 23457

Ref. 2 - Fan Motor

Tension	Air	Water
220/240V 50 Hz	23067	23029
220/230V 60 Hz	23681	23029
110/115V 60 Hz	23621	23683

Ref. 3 - Inlet Watervalue 1 Way

Tension	Code
220/240V 50 Hz	23001
220/230V 60 Hz	23001
110/115V 60 Hz	23260

Ref. 4 - Inlet Watervalue 2 Ways

Tension	Code
220/240V 50 Hz	23010
220/230V 60 Hz	23010
110/115V 60 Hz	23261

Ref. 6 - Hot Gas Coil

Tension	Code
220/240V 50 Hz	23091
220/230V 60 Hz	23091
110/115V 60 Hz	23256

Ref. 7 - Pump

Tension	Version 1	Version 2
220/240V 50 Hz	23002	23377
220/230V 60 Hz	23002	23377
110/115V 60 Hz	23264	23663

Ref. 13 - Timer

Tension	18 g Cube	33 g Cube	13 g Cube
220/240V 50 Hz	23222	23248	23247
220/230V 60 Hz	23248	23396	23247
110/115V 60 Hz	23259	23397	23258

Rev. 3 - 2/7/2003

