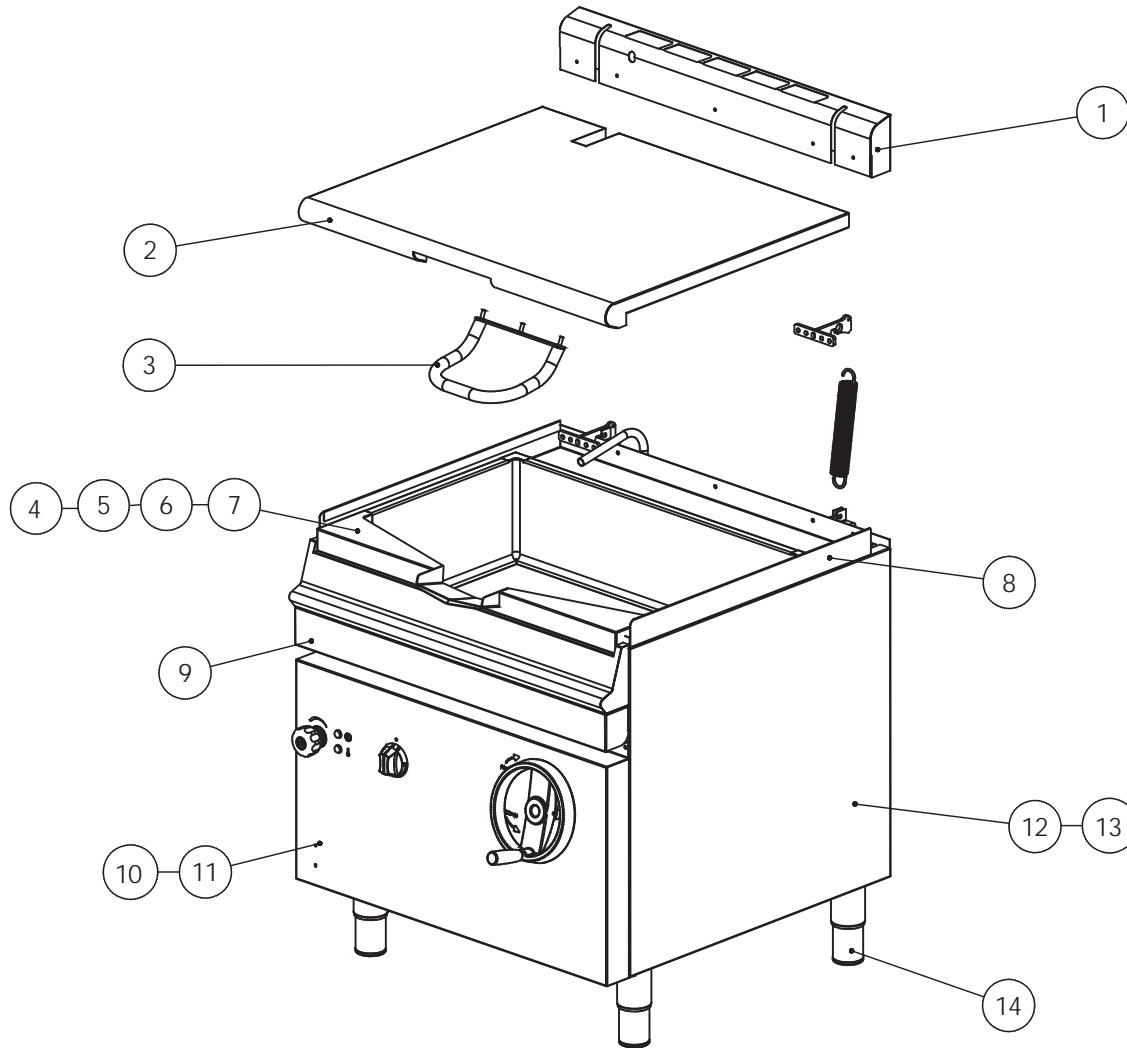


DOMINATOR PLUS

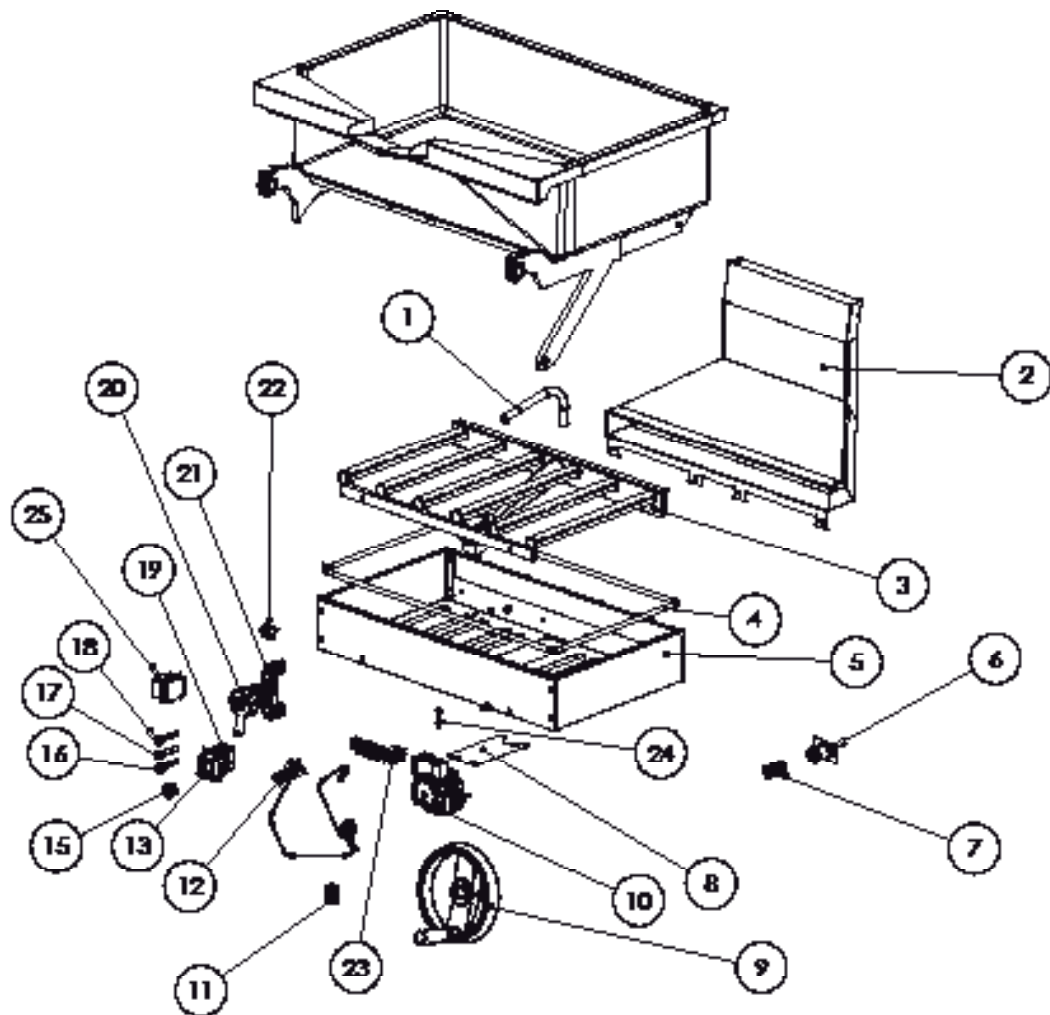


ITEM	DESCRIPTION	SPARES CODE
1	FLUE COVER	732150009
2	LID ASSEMBLY	732150010
3	LID HANDLE	732150011
4	S/S PAN (ELECTRIC)	732150013
5	S/S PAN (GAS)	537800000
6	DUPLEX PAN (ELECTRIC)	732150021
7	DUPLEX PAN (GAS)	537800010
8	TOP SURROUND	732150014
9	FRONT FASCIA	732150015
10	FRONT PANEL (ELECTRIC)	732150016
11	FRONT PANEL (GAS)	537800001
12	SIDE PANEL RH	732150017
13	SIDE PANEL LH	732150018
14	FOOT	535480067
15	CASTOR (SWIVEL)	530964350
16	CASTOR (FIXED)	535290031



Issue	Alteration	Date	Product	Document Reference
A	Initial Issue	13/03/14	G/E3800	A50369

DOMINATOR PLUS

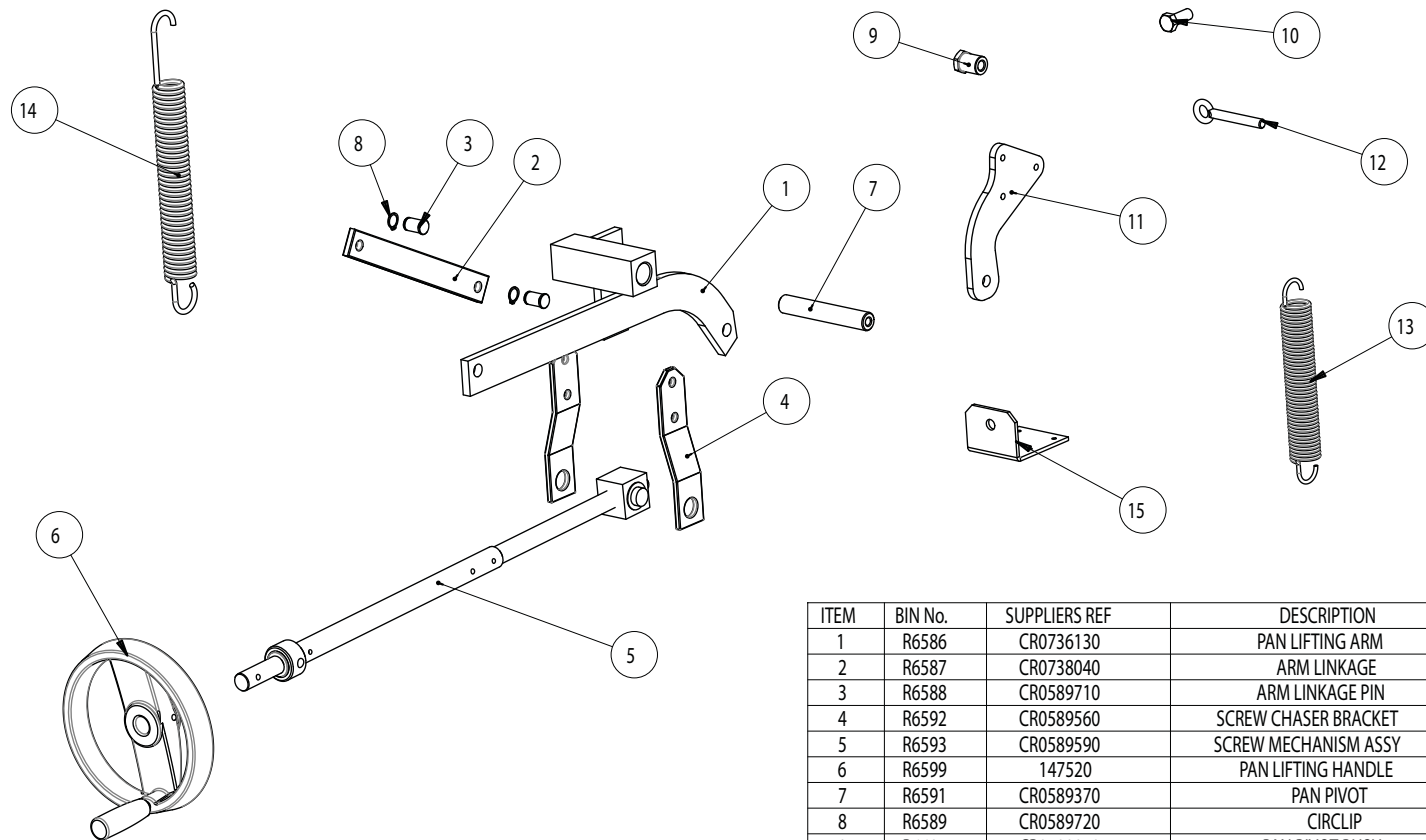


ITEM	DESCRIPTION	SPARES CODE
1	WATER SPOUT	732150000
2	FLUE	537800002
3	BURNER	537800003
4	ROPE SEAL	537800004
5	BURNER BOX	537800005
6	GAS INLET	537880720
7	GAS COUPLING	531610050
8	LIGHTBACK COVER	537800006
9	PAN LIFTING HANDLE	537800008
10	GAS VALVE	535270011
11	CABLE GLAND	732630040
12	PILOT ASSY	536300048
13	CONTROL KNOB (G3800)	537800011
14	CONTROL KNOB (G380000)	537800009
15	RESET SWITCH	535770068
16	AMBER NEON	730962040
17	GREEN NEON	534510270
18	RED NEON	730962010
19	OPERATING THERMOSTAT	731910500
20	WATER TAP	537800007
21	90 DEGREE ELBOW	536300039
22	TILT SWITCH	531750540
23	INCOMING TERMINAL	731000006
24	2A FUSE	734243006
25	SAFETY STAT	732150006
26	RUBBER O RING	735820002



Issue	Alteration	Date	Product	Document Reference
A	Initial Issue	13/03/14	G3800	AF50370

DOMINATOR PLUS



ITEM	BIN No.	SUPPLIERS REF	DESCRIPTION	SPARES No.	QTY
1	R6586	CR0736130	PAN LIFTING ARM	537800012	1
2	R6587	CR0738040	ARM LINKAGE	537800013	1
3	R6588	CR0589710	ARM LINKAGE PIN	537800014	2
4	R6592	CR0589560	SCREW CHASER BRACKET	537800015	2
5	R6593	CR0589590	SCREW MECHANISM ASSY	537800016	1
6	R6599	147520	PAN LIFTING HANDLE	537800008	1
7	R6591	CR0589370	PAN PIVOT	537800017	1
8	R6589	CR0589720	CIRCLIP	537800018	2
9	R6605	CR0589840	PAN PIVOT BUSH	537800019	2
10	R6606	15210099	PAN PIVOT BOLT	537800020	2
11	R6584	CR0589782	PAN PIVOT BRACKET	537800021	2
12	R6604	CR0589730	THREADED SPRING TENSIONER	537800022	3
13	R6585	CR0589520	LID SPRING	537800023	2
14	R6590	CR0736120	PAN LIFTING SPRING	537800024	1
15	R6594	CR0589700	SPRING BRACKET	537800025	1



Issue	Alteration	Date	Product	Document Reference
A	Initial Issue	04/03/15	G/E3800	A50762