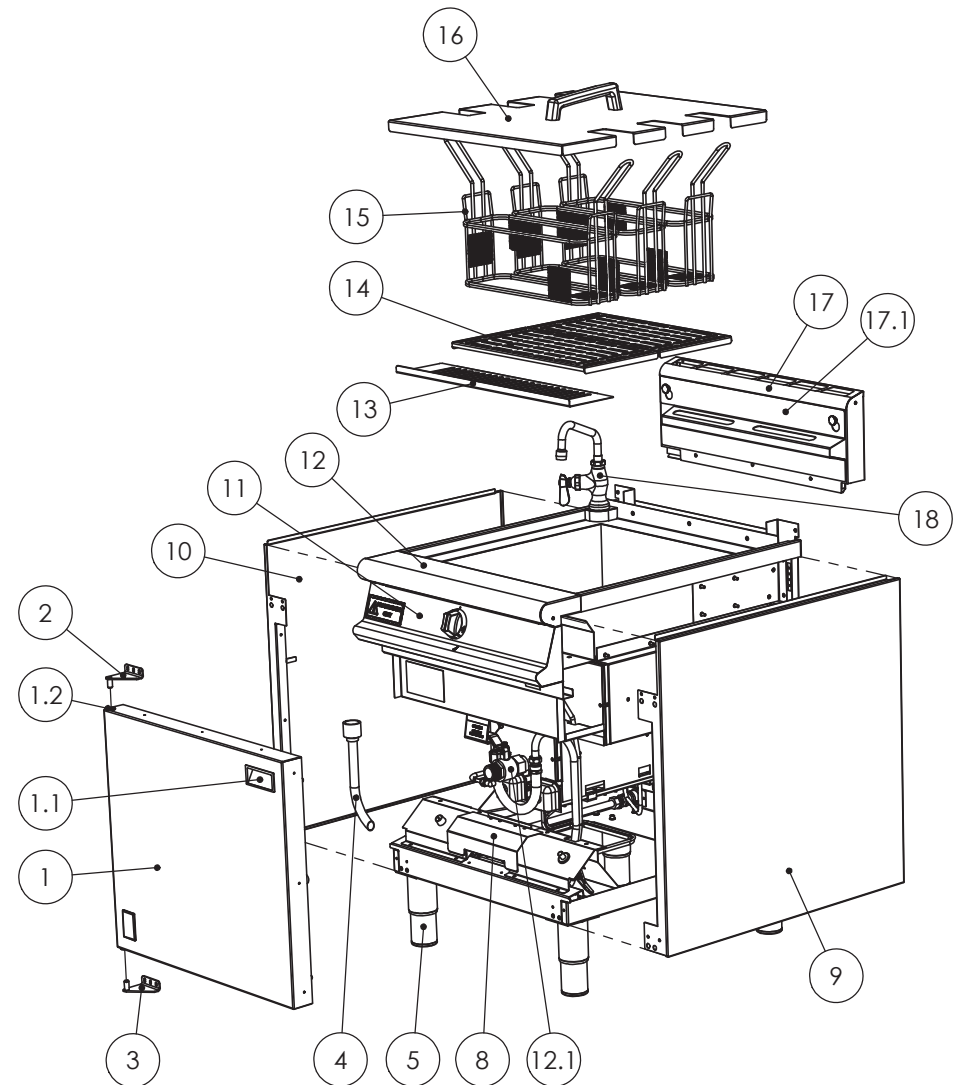


DOMINATOR PLUS

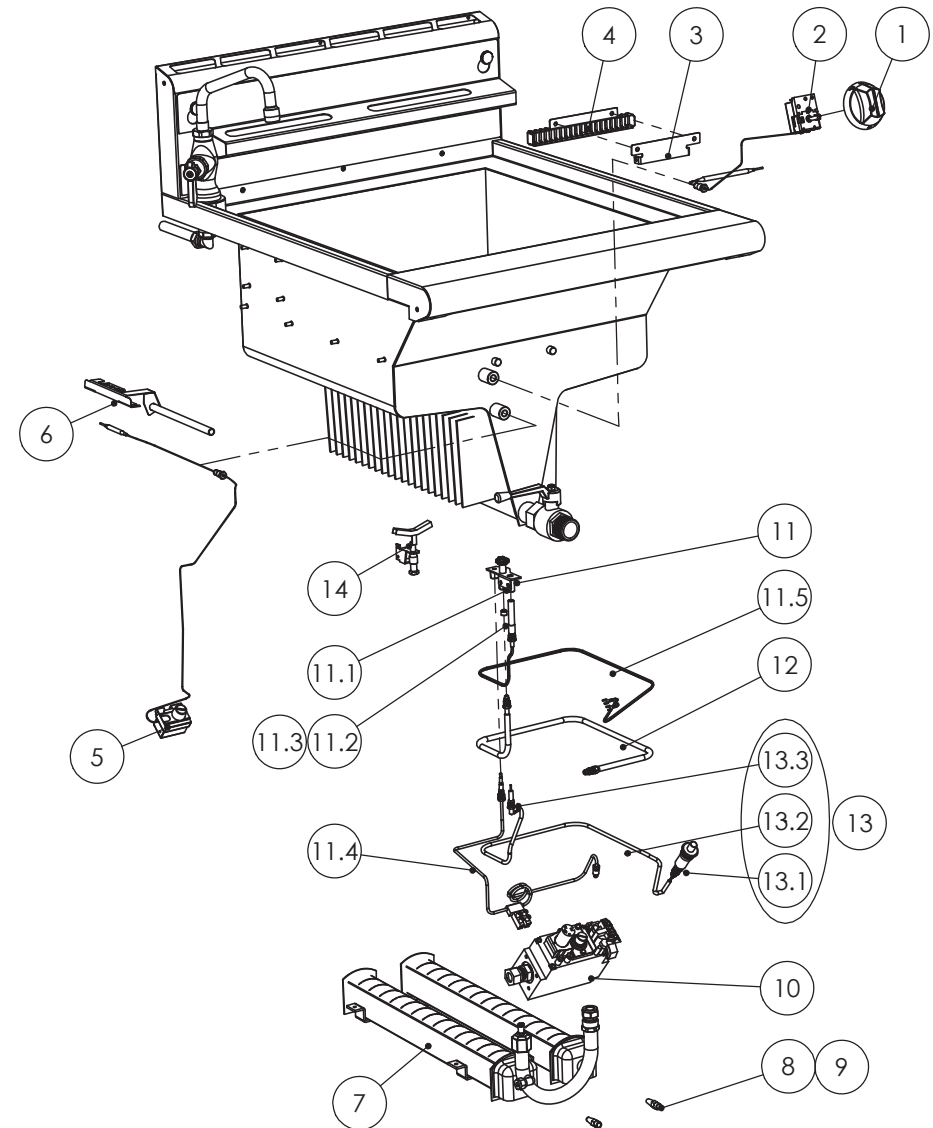
ITEM	DESCRIPTION	SPARES No
1	DOOR ASSEMBLY	535660002
1.1	DOOR HANDLE	736010020
1.2	DOOR HINGE BUSH (x2)	536060036
2	DOOR HINGE - TOP	535200006
3	DOOR HINGE - BOTTOM	535200007
4	DRAIN TUBE ASSEMBLY	535710015
5	ADJUSTABLE FOOT	535290028
6	CASTOR - BRAKED (x2) - NOT SHOWN	536430110
7	CASTOR - FIXED (x2) - NOT SHOWN	536470013
8	GAS VALVE COVER C/W HINGES	535670003
9	OUTER SIDE PANEL - RH	535670004
10	OUTER SIDE PANEL - LH	535670005
11	CONTROL PANEL	535660003
12	HOB/PAN ASSEMBLY C/W INSULATION & DRAIN VALVE	535660004
12.1	DRAIN VALVE ASSEMBLY	535670008
13	DRAINING SHELF	535660005
14	PASTA PLATE (x1)	535650006
15	BASKET (x1)	535750055
16	DUST COVER	535660006
17	FLUE ASSEMBLY	535660007
17.1	BULK PASTA BASKET HANGER	535660008
18	WATER TAP / FAUCET	535650010



Issue	Alteration	Date	Product	Document Reference
A	Initial Issue	09/08/11	G3206	AD49160

DOMINATOR PLUS

ITEM	DESCRIPTION	SPARES No
1	CONTROL KNOB	535650011
2	OPERATING THERMOSTAT	535650012
3	OPERATING STAT PHIAL MOUNT BRACKET	535650013
4	OPERATING STAT PHIAL COVER	535650014
5	SAFETY THERMOSTAT	535670017
6	SAFETY STAT PHIAL MOUNT BRACKET	535650015
7	BURNER ASSEMBLY (NO INJECTORS)	535680009
8	BURNER INJECTORS (x2) - NAT GAS	535680010
9	BURNER INJECTORS (x2) - PROPANE	535680011
10	GAS CONTROL VALVE C/W FITTINGS - NAT & PROPANE	535680013
11	PILOT ASSEMBLY - NAT & PROPANE	535670023
11.1	3 FLAME PILOT	530760007
11.2	PILOT INJECTOR - NAT GAS	537350013
11.3	PILOT INJECTOR - PROPANE	537350014
11.4	THERMOCOUPLE	535670024
11.5	THERMOPILE	537350005
12	PILOT PIPE C/W FITTINGS	535680012
13	SPARK IGNITOR ASSEMBLY	535670026
13.1	SPARK IGNITOR	537350029
13.2	SPARK IGNITOR CABLE	535710115
13.3	SPARK ELECTRODE	537350007
14	CROSS LIGHTER ASSEMBLY - NAT & PROPANE	535670027
14.1	CROSS LIGHTER INJECTOR - NAT GAS	535710091
14.2	CROSS LIGHTER INJECTOR - PROPANE	531300070



Issue	Alteration	Date	Product	Document Reference
A	Initial Issue	09/08/11	G3206	AD49161