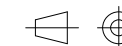


IF IN DOUBT ASK!!

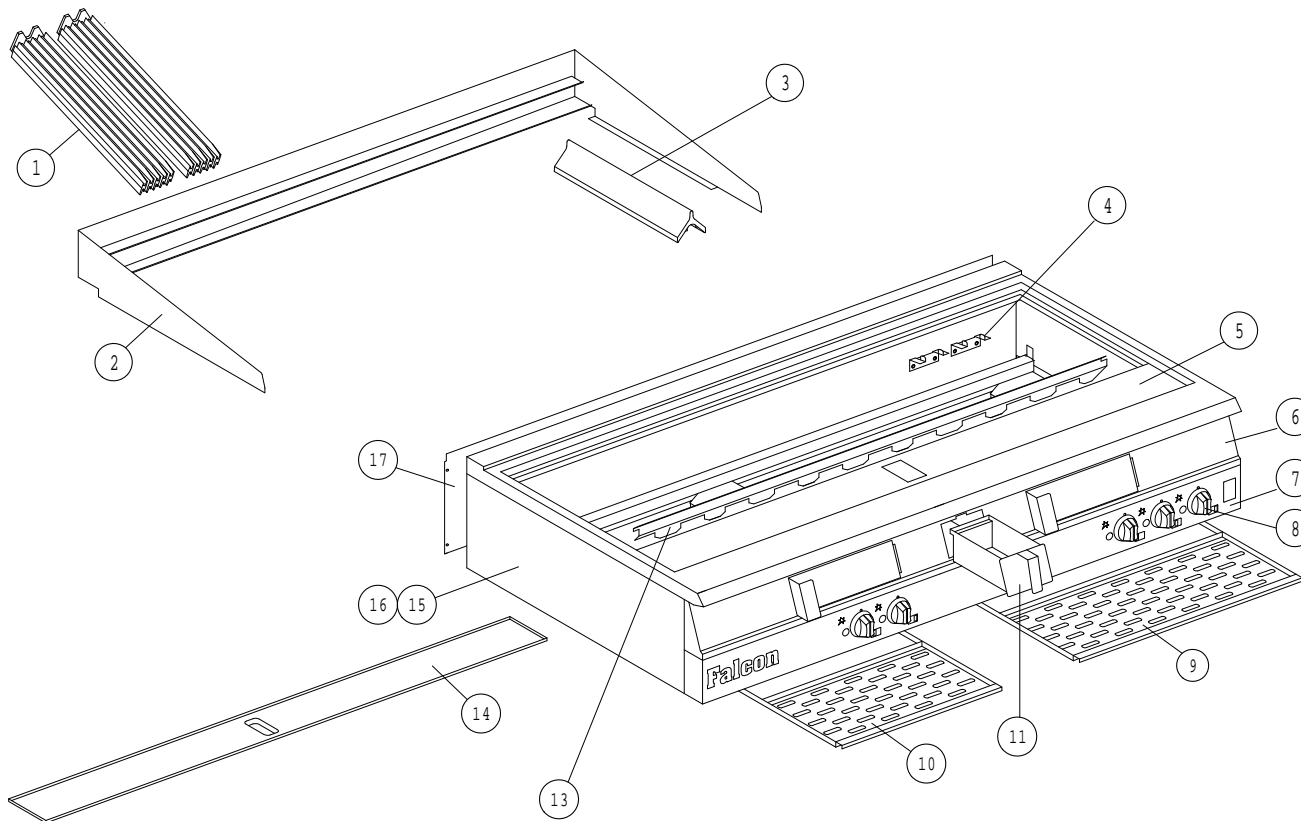
DO NOT SCALE !!

First Angle Projection



G21524B CHARGRILL - FITMENTS

| Part No. | Spares No. | Description |
|----------|------------|------------------------------------|
| 1 | 536000018 | Branding Grid |
| 2 | 536030000 | Splash Guard Assembly |
| 3 | 536000019 | Burner Baffle |
| 4 | 536000020 | Baffle Support Angle |
| 5 | 536030001 | Hob Assembly |
| 6 | 536030002 | Upper Front Facia Assembly |
| 7 | 536030022 | Lower Front Facia (Spark Ignition) |
| 8 | 536000021 | Control Knob |
| 9 | 536010003 | Drip Tray (900mm) |
| 10 | 536000003 | Drip Tray (600mm) |
| 11 | 536000013 | Fat Jug Assembly |
| 12 | 536000022 | Magnetic Door Catch (Not Shown) |
| 13 | 536030004 | Brander Support Angle |
| 14 | 536030005 | Spill Tray |
| 15 | 536000023 | Outer Side Panel - LH |
| 16 | 536000024 | Outer Side Panel - RH |
| 17 | 536030006 | Outer Back Panel |



All Dimensions in millimetres, Tolerance- Linear $\pm 0.5\text{mm}$ Angular $\pm 0.5^\circ$ (or as stated)

| Issue | Mod No. | Alteration | Zone | Drawn by | Date |
|-------|---------|-----------------------|------|-------------|----------|
| A | 979 | ISSUED FOR PRODUCTION | | I. HAMILTON | 15-12-03 |



| | | | | |
|-------|-------------|-----------|---------------------------|----------------|
| Drawn | I. HAMILTON | Product | G21524B CHARGRILL | |
| Date | 19-05-03 | Title | SPARES DIAGRAM - FITMENTS | |
| Scale | N. T. S. | Matl. | _____ | Drawing Number |
| | | No. off | _____ | Issue |
| | | Bin No. | _____ | AD42595 |
| | | Kraus No. | _____ | A |

No reproduction or publication of this drawing may be made and no article may be manufactured or assembled in accordance with this drawing without prior written consent. The prohibition is a condition of any contract relating to this drawing. Rights reserved under the Copyright Act 1956 as amended by the Design Copyright Act 1988.

This part is common to the following units

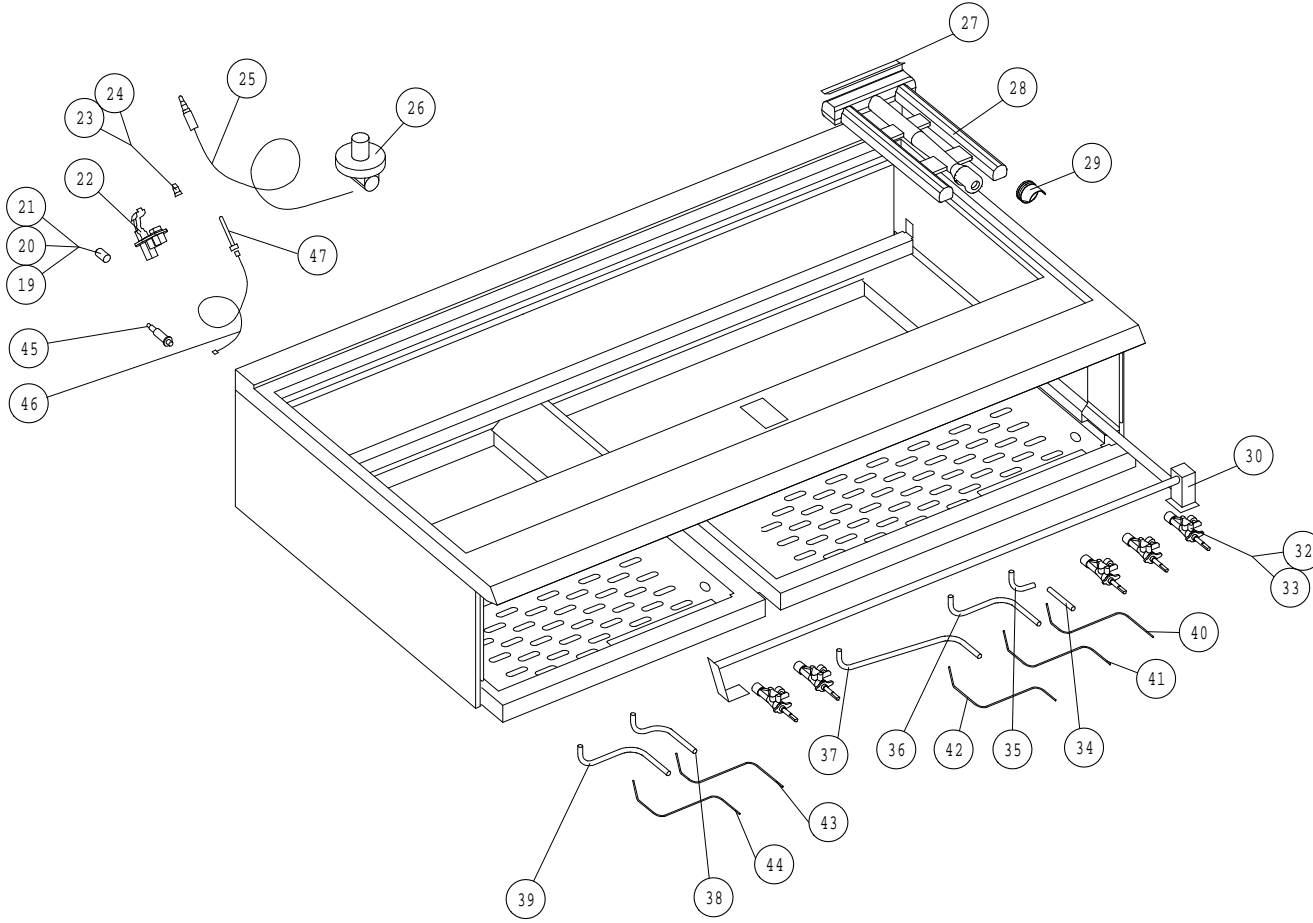
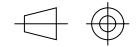
UNCONTROLLED

Falcon Foodservice Equipment. Wallace View Hillfoots Road Stirling Scotland

IF IN DOUBT ASK!!

DO NOT SCALE !!

First Angle Projection



G21524B CHARGRILL - CONTROLS

| Part No. | Spares No. | Description |
|----------|------------|--------------------------------------|
| 19 | 536000025 | Burner Injector (Natural Gas) |
| 20 | 536000026 | Injector Holder (Propane Gas) |
| 21 | 536000027 | Amal Jet (Propane Gas) |
| 22 | 536000028 | Pilot Burner |
| 23 | 536000029 | Pilot Jet (Natural Gas) |
| 24 | 536000030 | Pilot Jet (Propane Gas) |
| 25 | 536000031 | Thermocouple |
| 26 | 536000032 | Gas Governor (Natural Gas) - 1/2"BSP |
| | 536000044 | Gas Governor (Natural Gas) - 3/4"BSP |
| 27 | 536000033 | Burner Shield |
| 28 | 536000034 | Burner |
| 29 | 536000035 | Burner Aeration Shroud |
| 30 | 536030007 | Float Rail Assembly |
| 31 | 536000036 | Pressure Test Nipple (Not Shown) |
| 32 | 536000037 | Gas Control Valve (Natural Gas) |
| 33 | 536000038 | Gas Control Valve (Propane Gas) |
| 34 | 536000039 | RH Burner Pipe (Tap To Elbow) |
| 35 | 536030008 | RH Burner Pipe (Elbow To Burner) |
| 36 | 536030009 | Inner RH Burner Pipe |
| 37 | 536030010 | Centre Burner Pipe |
| 38 | 536030011 | Inner LH Burner Pipe (Tap To Elbow) |
| 39 | 536030012 | LH Burner Pipe |
| 40 | 536030013 | RH Pilot Pipe |
| 41 | 536030014 | Inner RH Pilot Pipe |
| 42 | 536030015 | Centre Pilot Pipe |
| 43 | 536030016 | Inner LH Pilot Pipe |
| 44 | 536030017 | LH Pilot Pipe |
| 45 | 535950020 | Spark Igniter |
| 46 | 535950021 | Electrode Lead |
| 47 | 535950022 | Pilot Electrode |

All Dimensions in millimetres, Tolerance- Linear ±0.5mm Angular ±0.5° (or as stated)

| Issue | Mod No. | Alteration | Zone | Drawn by | Date |
|-------|---------|------------------------|------|-------------|----------|
| B | 5358 | 3/4"BSP GOVERNOR ADDED | | I. HAMILTON | 26-04-06 |
| A | 979 | ISSUED FOR PRODUCTION | | I. HAMILTON | 15-12-03 |



| | | | | |
|---------|-------------|----------------|---------------------------|-------|
| Drawn | I. HAMILTON | Product | G21524B CHARGRILL | |
| Date | 25-11-03 | Title | SPARES DIAGRAM - CONTROLS | |
| Scale | N.T.S. | Matl. | _____ | _____ |
| Bin No. | _____ | Finish | _____ | _____ |
| | | Kraus No. | _____ | _____ |
| | | Drawing Number | AD42596 | Issue |
| | | | | B |

No reproduction or publication of this drawing may be made and no article may be manufactured or assembled in accordance with this drawing without prior written consent. The prohibition is a condition of any contract relating to this drawing. Rights reserved under the Copyright Act 1956 as amended by the Design Copyright Act 1988.

This part is common to the following units

UNCONTROLLED

Falcon Foodservice Equipment. Wallace View Hillfoots Road Stirling Scotland